



US00D407363S

**United States Patent** [19]  
**Muzzarelli**

[11] **Patent Number: Des. 407,363**  
[45] **Date of Patent: \*\*Mar. 30, 1999**

[54] **FRONT FACE OF A VEHICLE WHEEL**

[75] Inventor: **Marco Muzzarelli**, Milan, Italy

[73] Assignee: **Claus Ettensberger Corporation**,  
Gardena, Calif.

[\*\*] Term: **14 Years**

[21] Appl. No.: **75,120**

[22] Filed: **Aug. 21, 1997**

[51] **LOC (6) Cl.** ..... **12-16**

[52] **U.S. Cl.** ..... **D12/209**

[58] **Field of Search** ..... D12/204-213;  
301/64.1, 65, 37.1

[56] **References Cited**

**U.S. PATENT DOCUMENTS**

- D. 267,488 1/1983 Hayashi ..... D12/211
- D. 298,527 11/1988 Lorinser ..... D12/211
- D. 350,523 9/1994 Mobius ..... D12/209
- D. 360,610 7/1995 Bernoni ..... D12/211

- D. 367,031 2/1996 Hubbach ..... D12/209
- D. 375,073 10/1996 Theiss ..... D12/209
- D. 377,471 1/1997 Stach ..... D12/209
- D. 384,022 9/1997 Hatter ..... D12/209
- D. 384,026 9/1997 Chrysanto ..... D12/209
- D. 391,913 3/1998 Chung ..... D12/209

*Primary Examiner*—James Gandy  
*Assistant Examiner*—Stacia Sinuik  
*Attorney, Agent, or Firm*—Longacre & White

[57] **CLAIM**

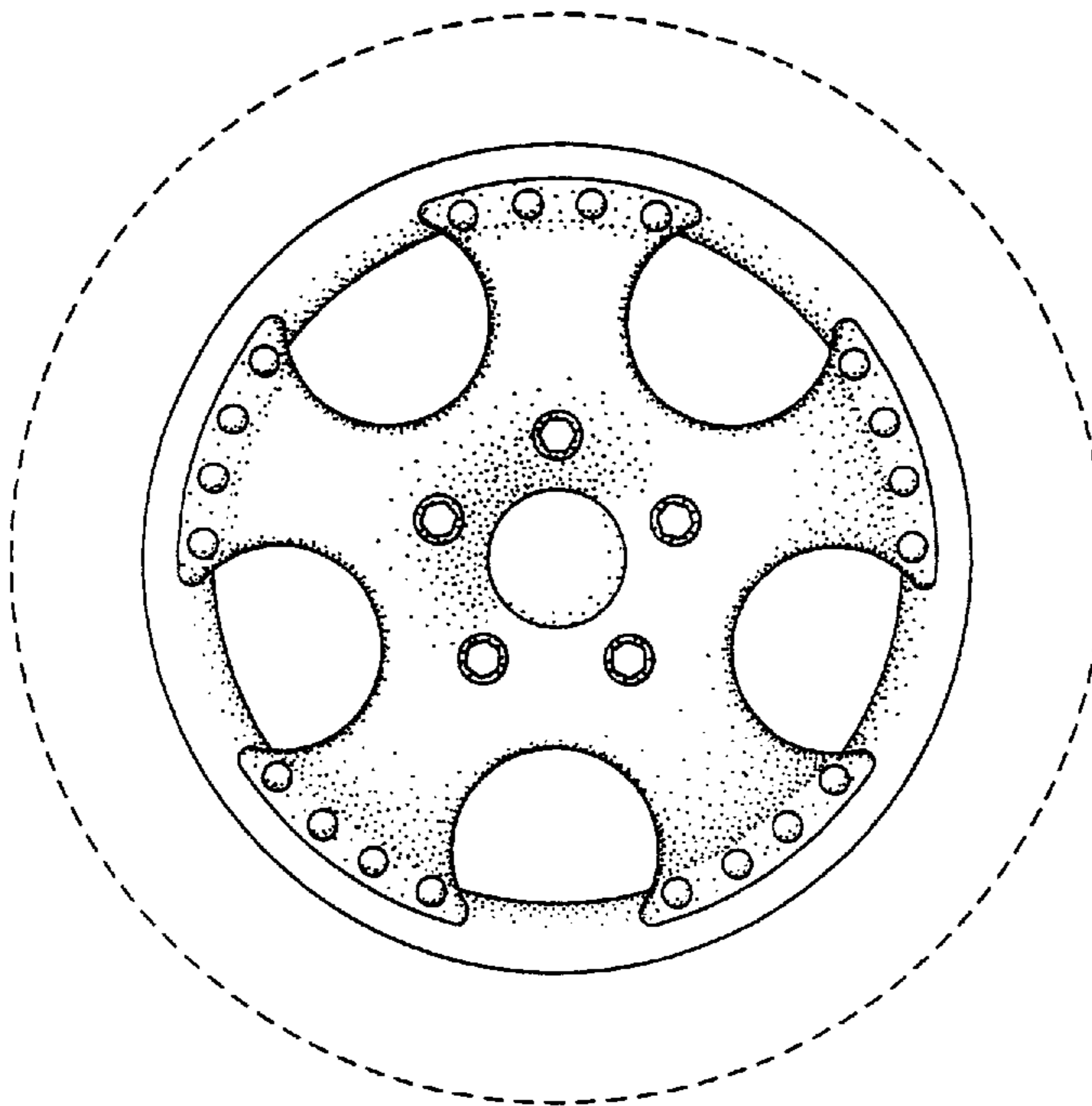
The ornamental design for a front face of a vehicle wheel, as shown and described.

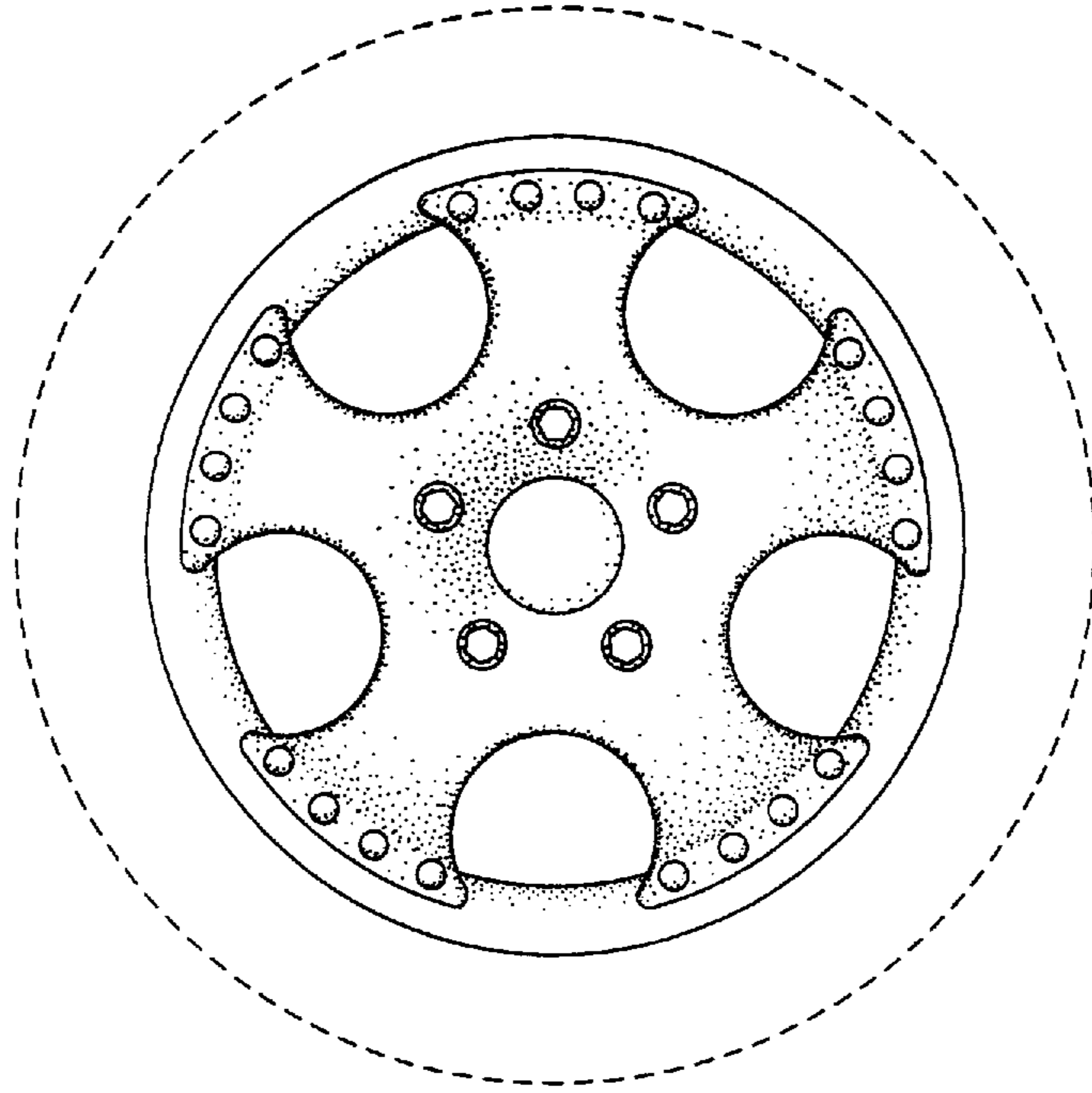
**DESCRIPTION**

FIG. 1 is a front elevational view of the front face of a vehicle wheel according to the present invention; and, FIG. 2 is a perspective view of the front face of a vehicle wheel as shown in FIG. 1;

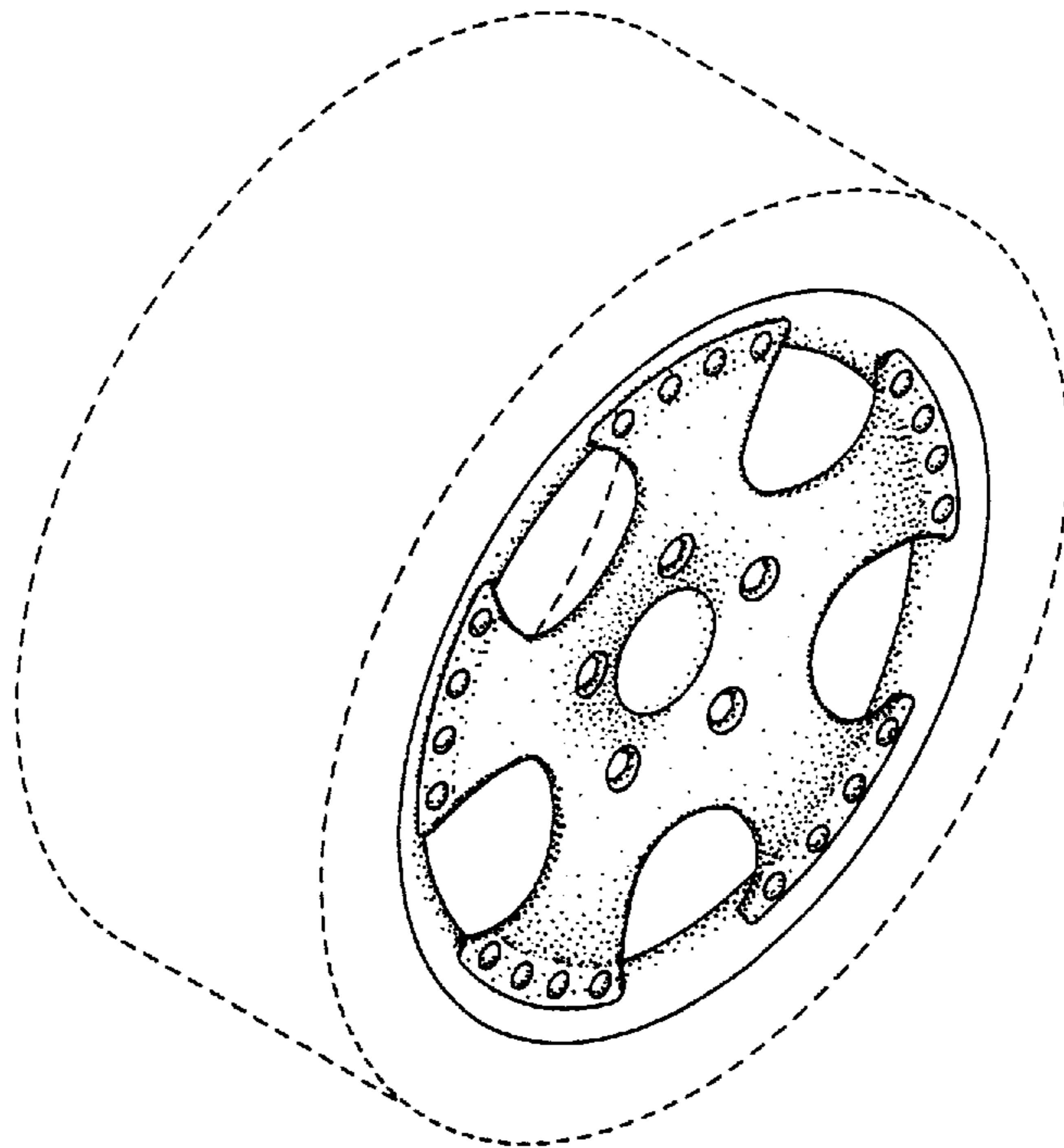
The broken line showing of environment is for illustrative purposes only and forms no part of the claimed design.

**1 Claim, 1 Drawing Sheet**





*FIG. 1*



*FIG. 2*