



US00D407359S

# United States Patent [19]

[11] **Patent Number: Des. 407,359**

**Conterno**

[45] **Date of Patent: \*\*Mar. 30, 1999**

[54] **STEERING WHEEL FOR MOTOR VEHICLES AND WATERCRAFTS**

4,945,786 8/1990 Goto ..... 74/552  
5,031,429 7/1991 Wang ..... 74/522 X  
5,305,655 4/1994 Kugo ..... 74/552

[75] Inventor: **Silvia Conterno**, Varese, Italy

*Primary Examiner*—Melody N. Brown  
*Attorney, Agent, or Firm*—McAulay Nissen Goldberg Kiel & Hand, LLP

[73] Assignee: **Nardi Italia Spa**, Abbiate Guazzone, Italy

[\*\*] Term: **14 Years**

### [57] CLAIM

[21] Appl. No.: **80,872**

The ornamental design for a steering wheel for motor vehicles and watercrafts, as shown and described.

[22] Filed: **Dec. 18, 1997**

### DESCRIPTION

#### Related U.S. Application Data

[62] Division of Ser. No. 42,784, Aug. 17, 1995.

FIG. 1 is a top view of a steering wheel for motor vehicles and watercrafts, showing my new design;

#### [30] Foreign Application Priority Data

Feb. 17, 1995 [IT] Italy ..... MI9500099

FIG. 2 is a left side view, and the right side view is a mirror image of the left side;

[51] **LOC (6) Cl.** ..... **12-16**

FIG. 3 is a front view;

[52] **U.S. Cl.** ..... **D12/176**

FIG. 4 is a bottom view; and,

[58] **Field of Search** ..... D12/176-175;  
74/552

FIG. 5 is a rear view.

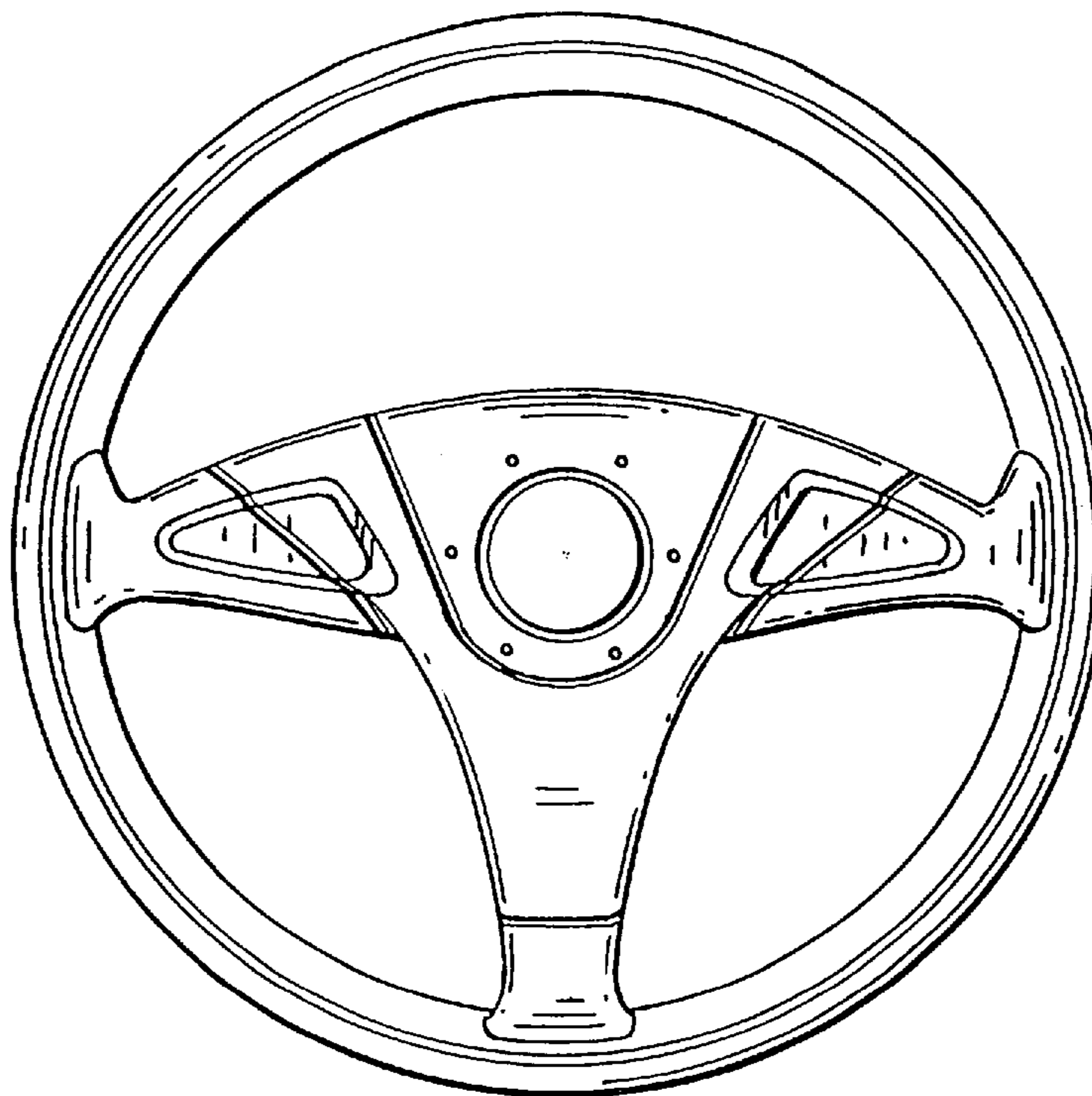
The broken lines shown in FIGS. 2, 3 and 5 are for illustrative purposes only and form no part of the claimed design.

#### [56] References Cited

##### U.S. PATENT DOCUMENTS

4,161,892 7/1979 Conterno ..... 74/552

**1 Claim, 2 Drawing Sheets**



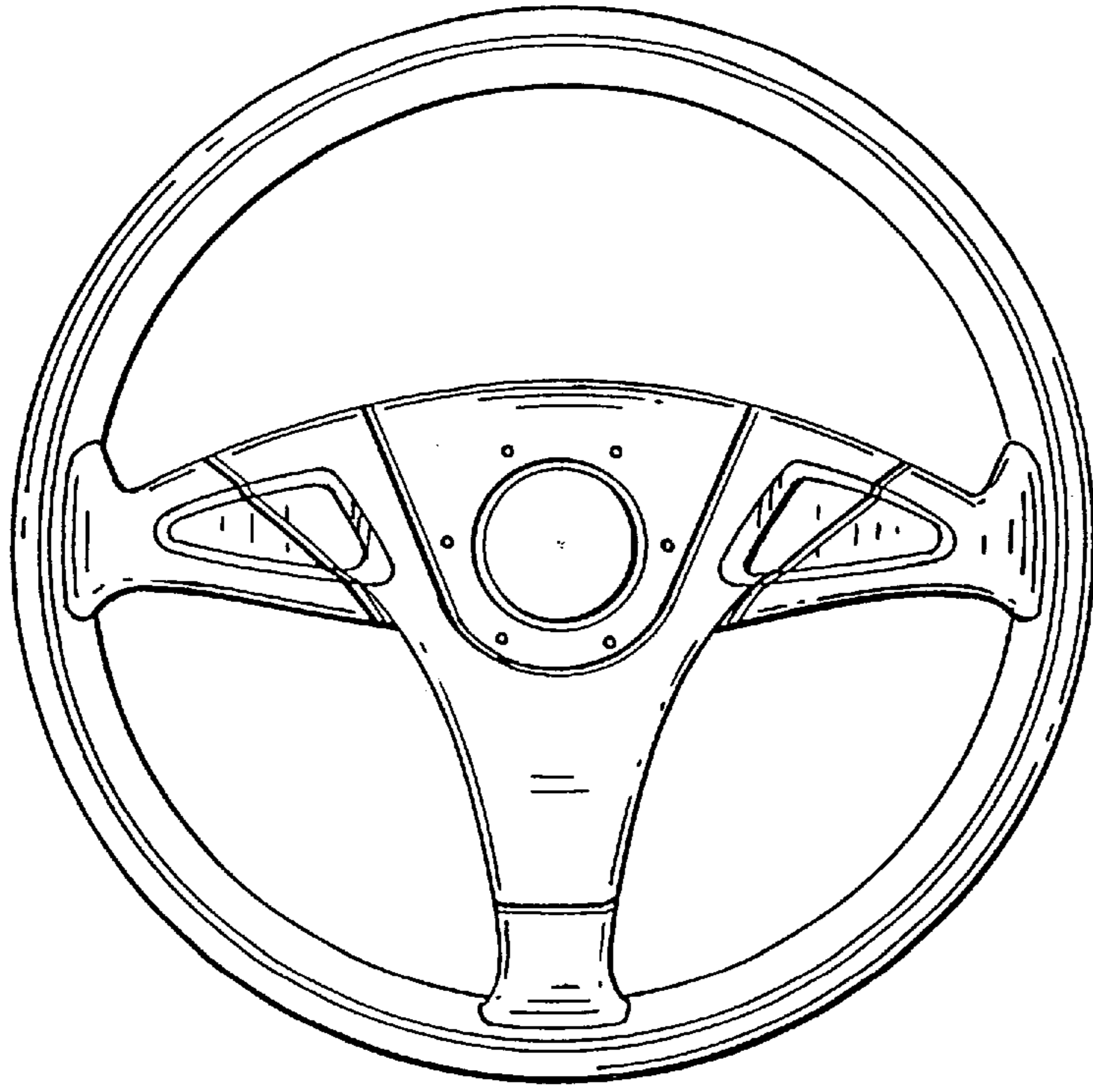


FIG. 1

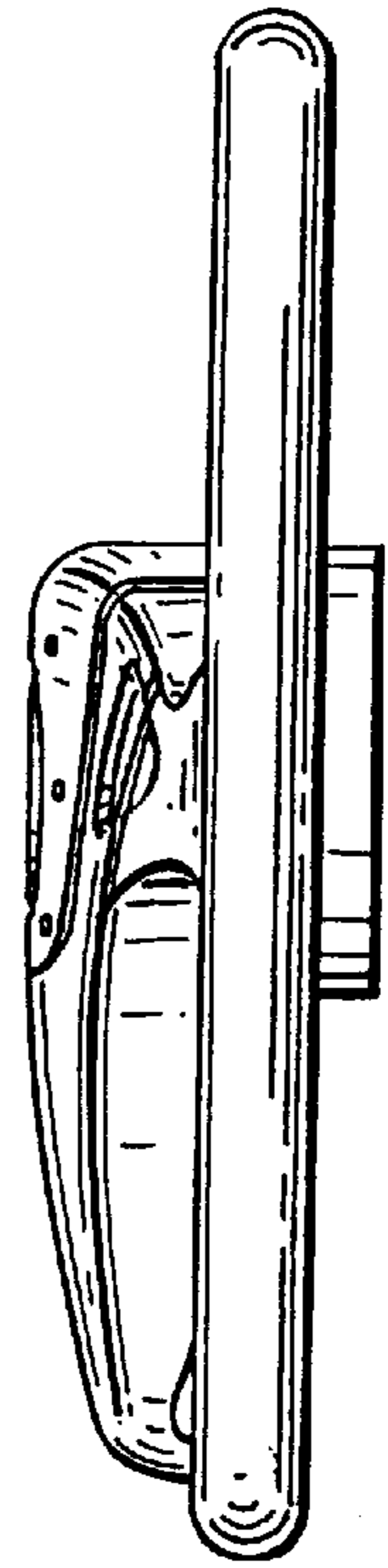


FIG. 2

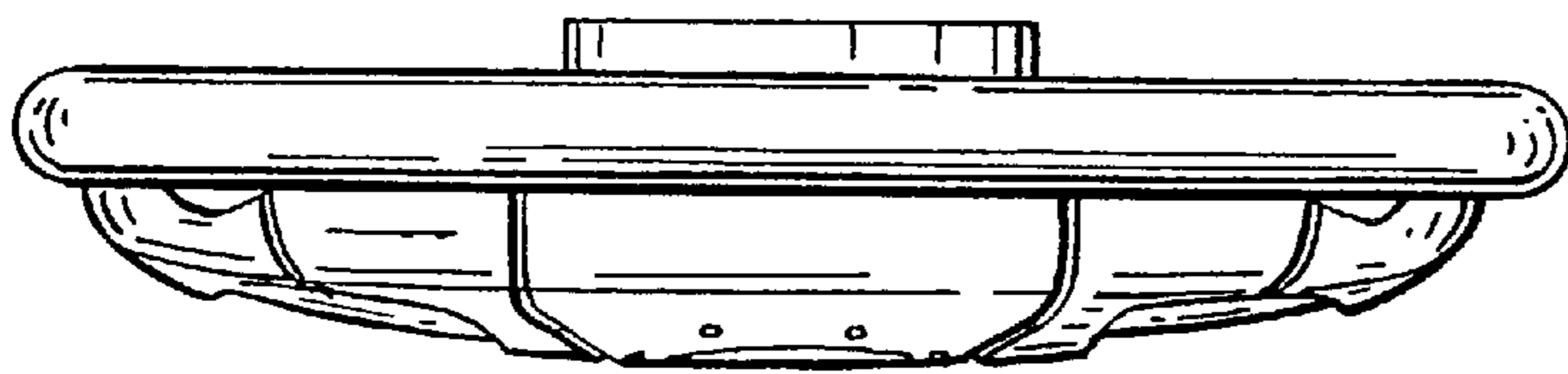


FIG. 3

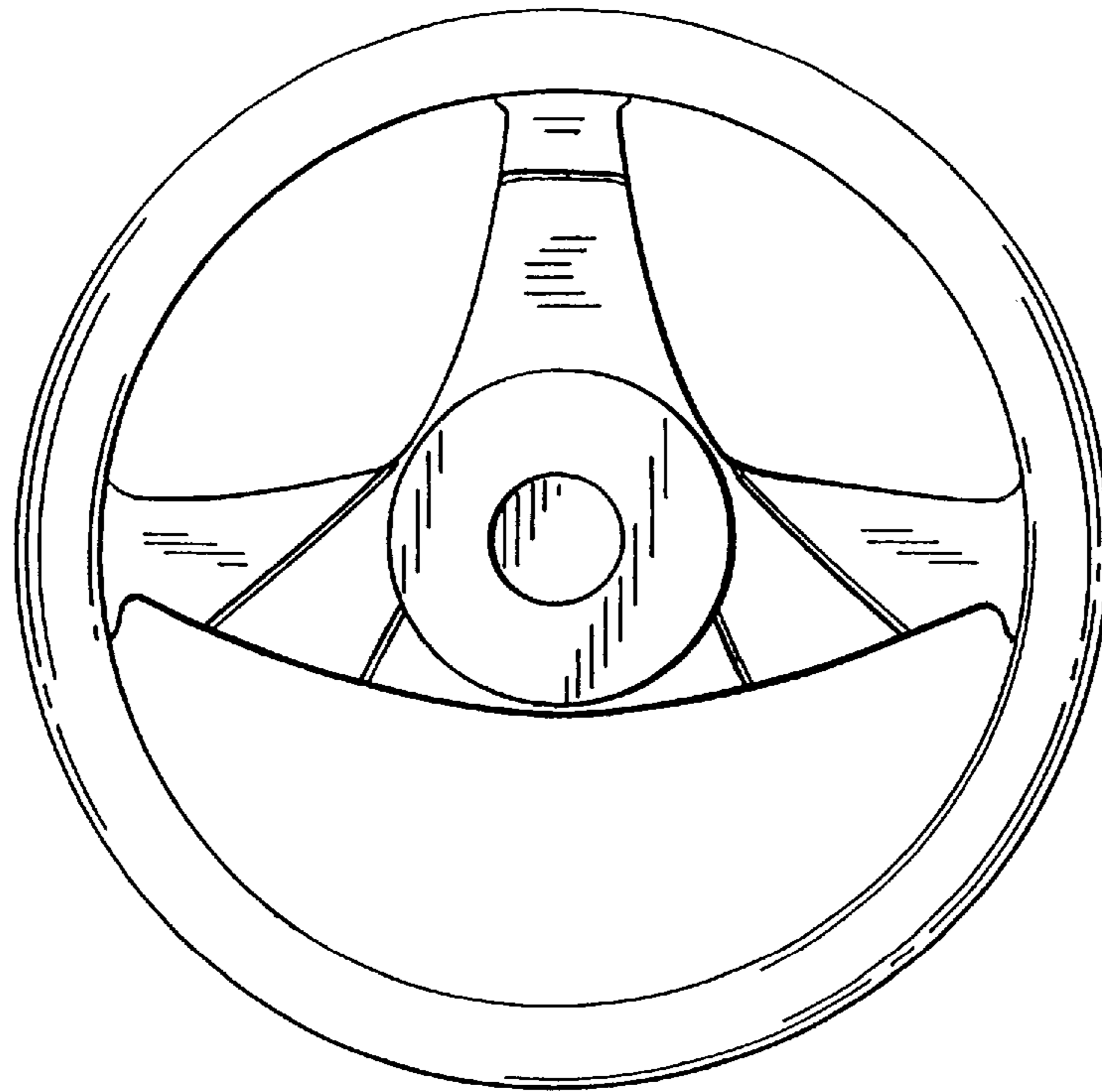


FIG. 4

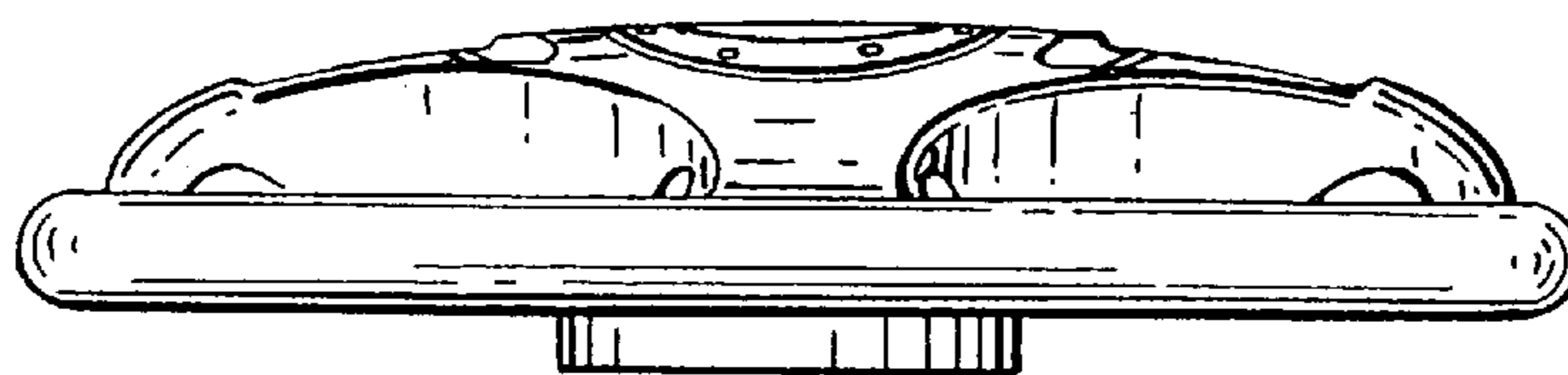


FIG. 5