



US00D407347S

# United States Patent [19] Gallandat

[11] **Patent Number: Des. 407,347**

[45] **Date of Patent: \*\*Mar. 30, 1999**

[54] **TROLLEY**

[76] Inventor: **Christopher J. Gallandat**, Rte. 2 Box  
240, Rincon, Ga. 31326

[\*\*] Term: **14 Years**

[21] Appl. No.: **24,308**

[22] Filed: **Jun. 13, 1994**

D. 276,902	12/1984	Plugge	.....	D12/19
D. 297,720	9/1988	Fragtone	.....	D12/19
4,667,973	5/1987	Fragine, Jr.	.....	280/63
4,671,522	6/1987	Bowers	.....	280/63

*Primary Examiner*—Melody N. Brown

[57] **CLAIM**

The ornamental design for a trolley, as shown and described.

### Related U.S. Application Data

[63] Continuation of Ser. No. 9,225, Jun. 10, 1993, abandoned.

[51] **LOC (6) Cl.** ..... **12-01**

[52] **U.S. Cl.** ..... **D12/19**

[58] **Field of Search** ..... D12/19, 17-20;  
D34/24, 26; 280/63, 25, 471

### DESCRIPTION

FIG. 1 is a front elevational view of the trolley showing my new design;

FIG. 2 is a rear elevational view thereof;

FIG. 3 is a left side elevational view thereof;

FIG. 4 is a right side elevational view thereof;

FIG. 5 is a top plan view thereof; and,

FIG. 6 is a bottom plan view thereof.

[56] **References Cited**

#### U.S. PATENT DOCUMENTS

D. 248,226 6/1978 Sailer, Jr. .... D34/24

**1 Claim, 3 Drawing Sheets**

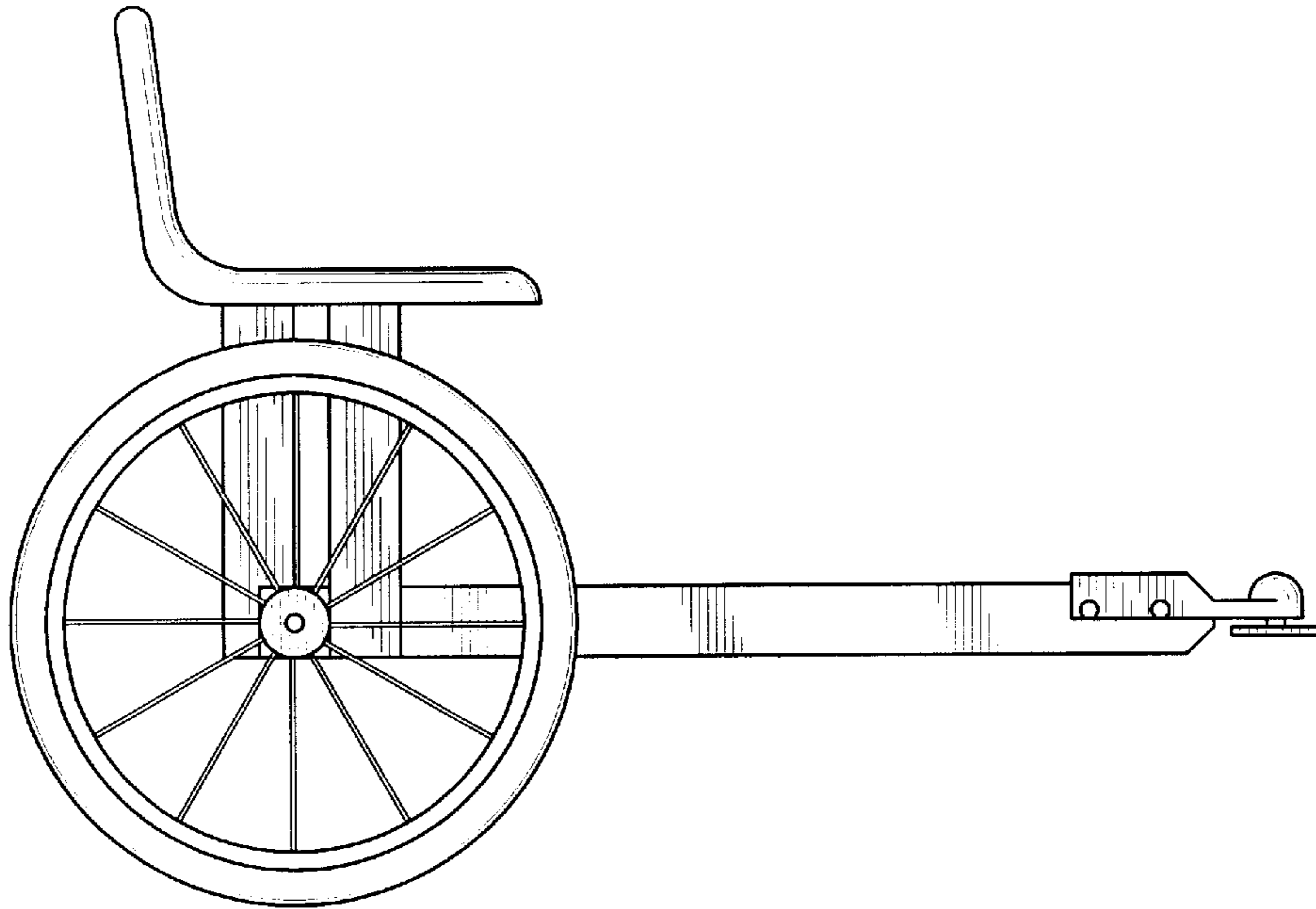


FIG. 1

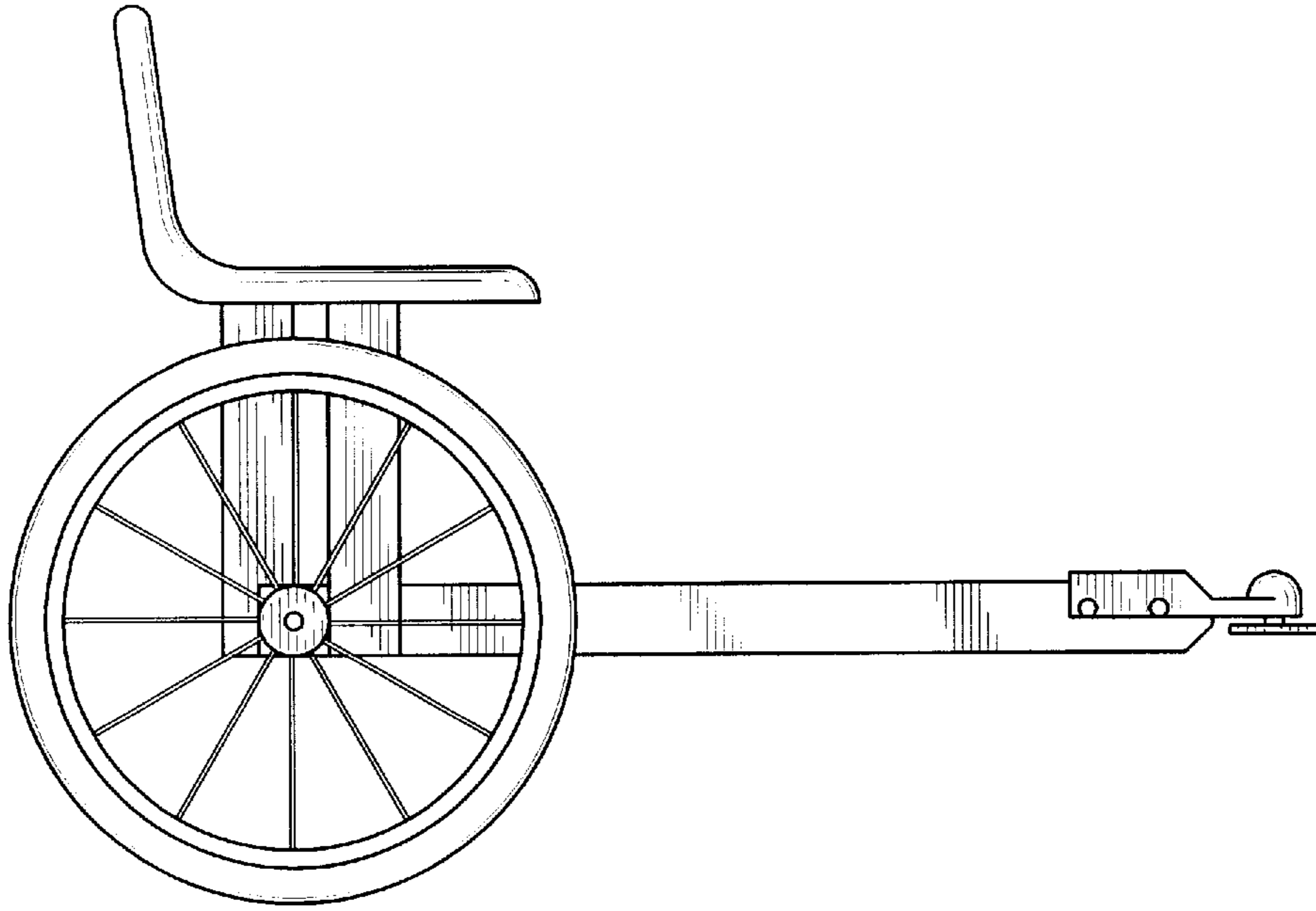
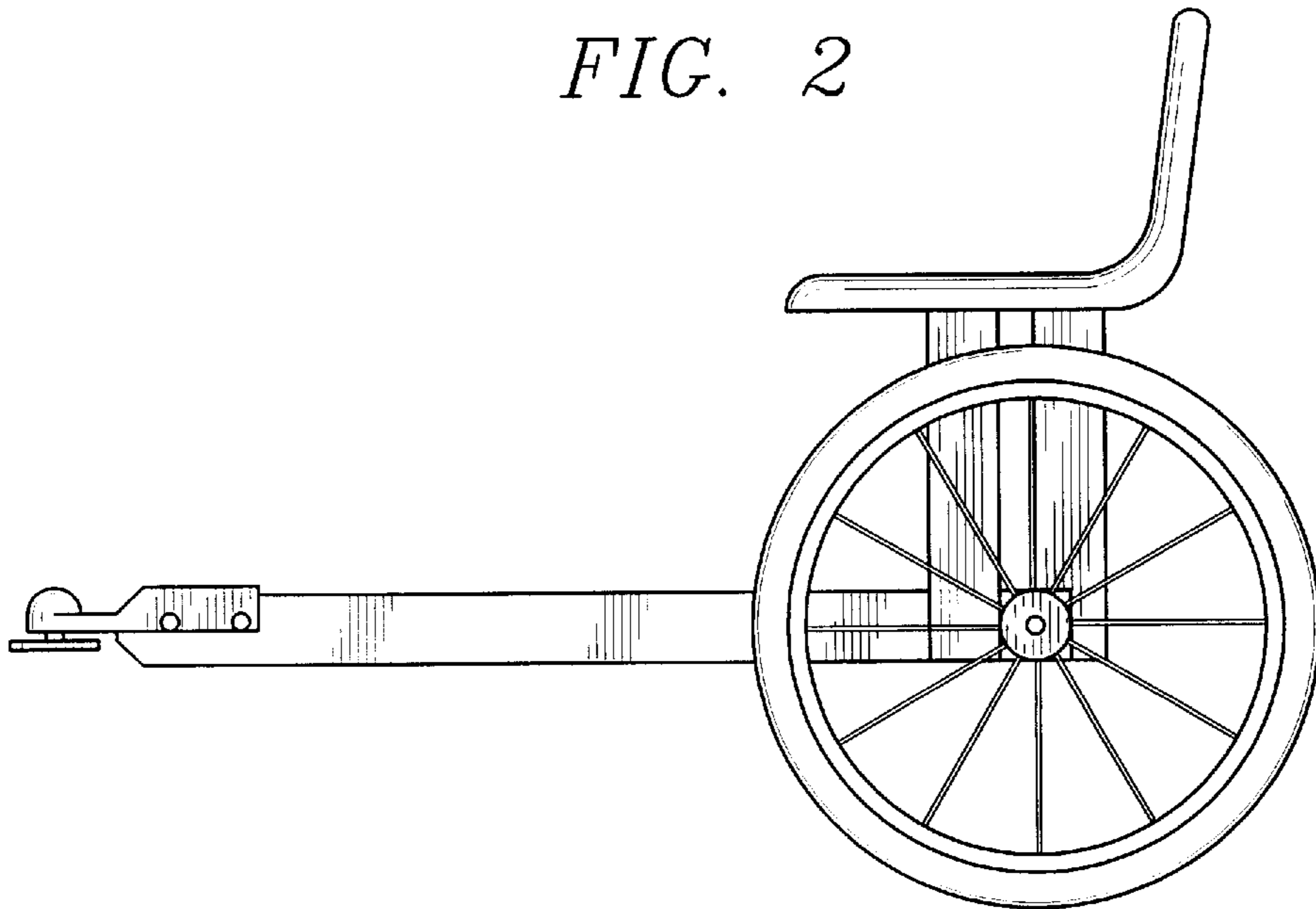
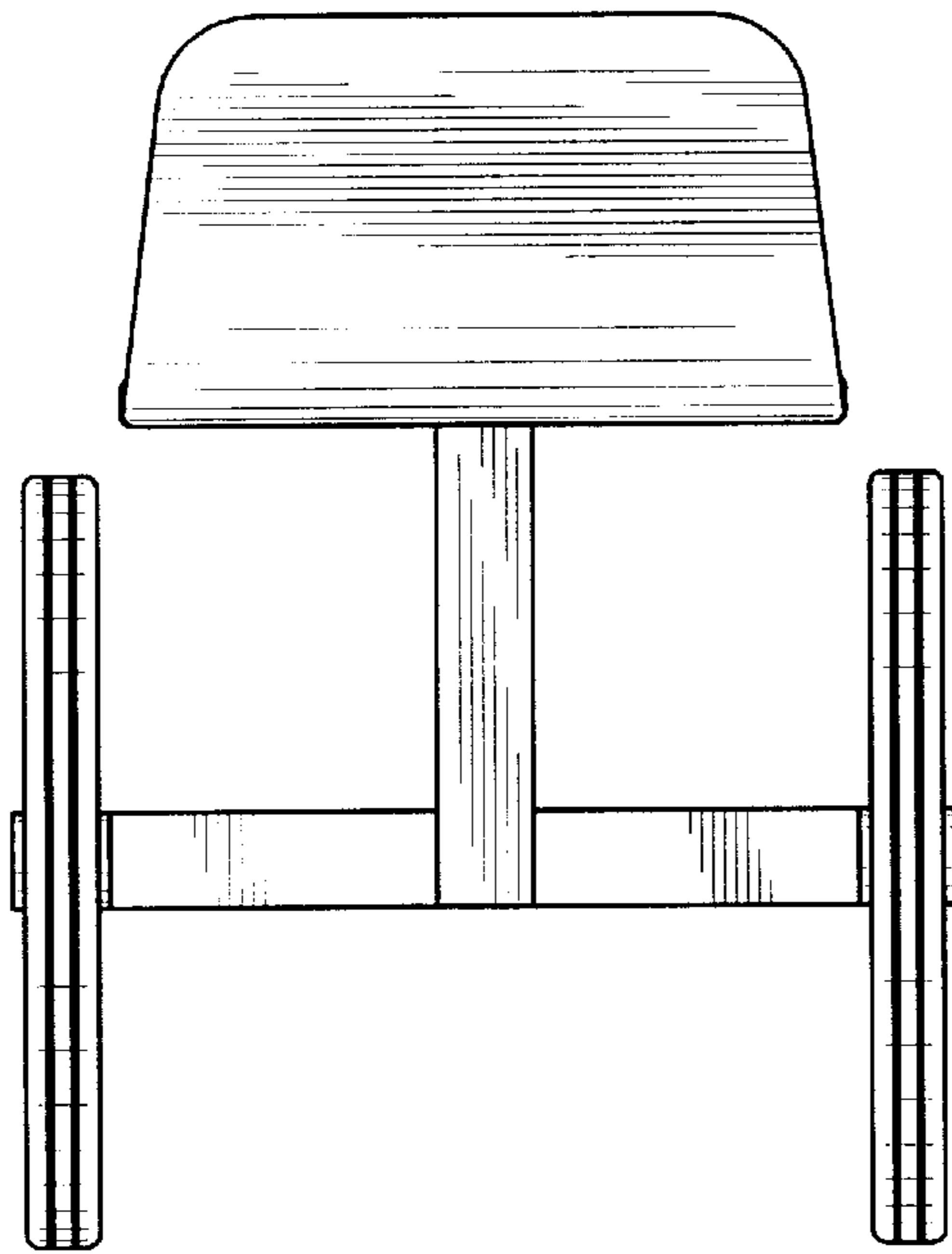


FIG. 2



*FIG. 3*



*FIG. 4*

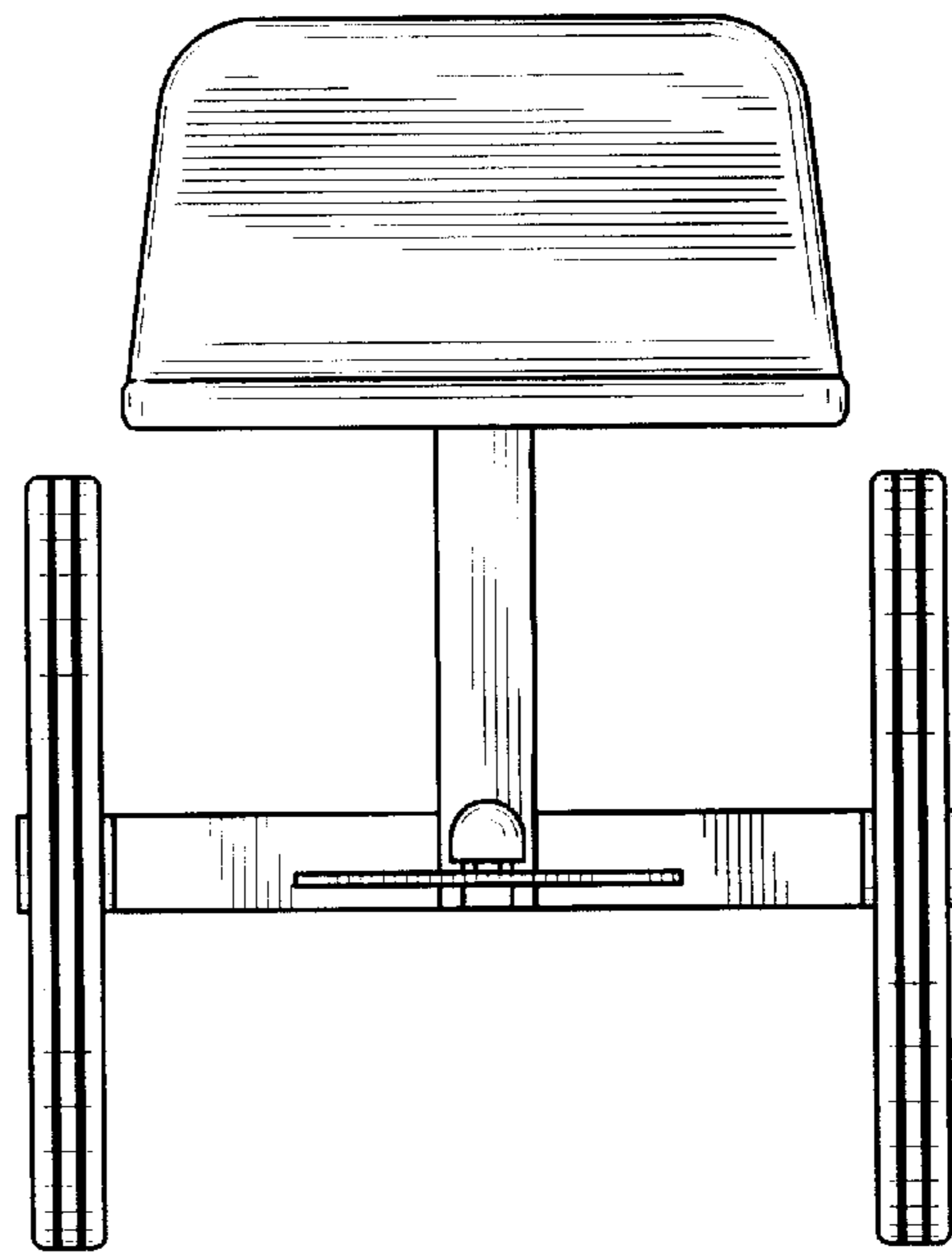


FIG. 5

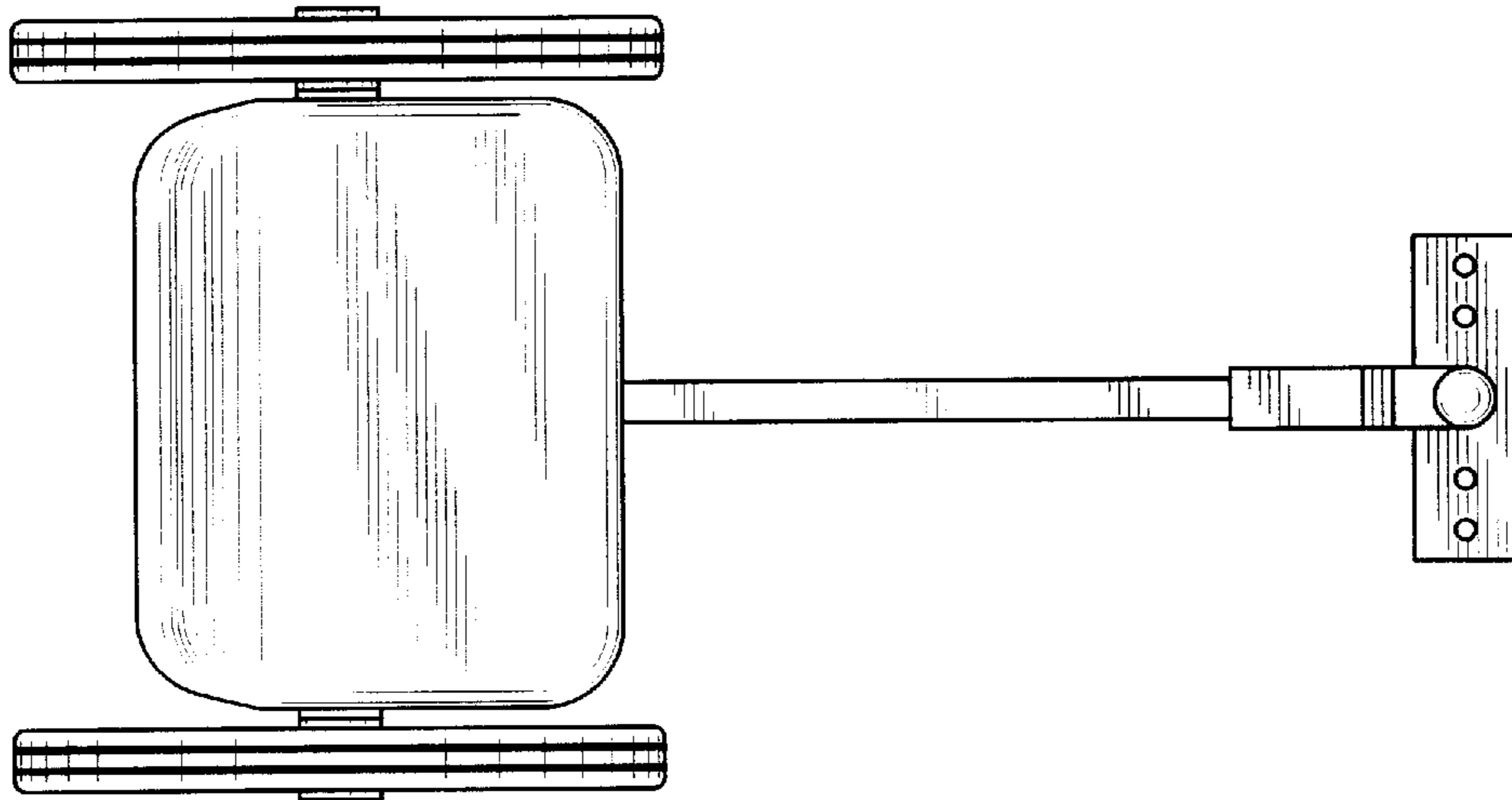


FIG. 6

