



US00D407342S

**United States Patent** [19]  
**Ishizaka**

[11] **Patent Number: Des. 407,342**

[45] **Date of Patent: \*\*Mar. 30, 1999**

[54] **WATCH BAND**

[75] Inventor: **Shingo Ishizaka**, Akishima, Japan

[73] Assignee: **Casio Keisanki Kabushiki Kaisha**,  
Tokyo, Japan

[\*\*] Term: **14 Years**

[21] Appl. No.: **92,006**

[22] Filed: **Aug. 11, 1998**

[51] **LOC (6) Cl.** ..... **11-01**

[52] **U.S. Cl.** ..... **D11/3**

[58] **Field of Search** ..... D10/30-32; 63/1.1-3;  
D11/1-4, 19-21, 25, 87, 86

[56] **References Cited**

**U.S. PATENT DOCUMENTS**

- D. 332,760 1/1993 Tse ..... D11/3
- D. 387,692 12/1997 Hanagata ..... D11/3
- D. 393,602 4/1998 Sang ..... D11/3

*Primary Examiner*—Ralf Seifert

*Attorney, Agent, or Firm*—Frishauf, Holtz, Goodman,  
Langer & Chick

[57] **CLAIM**

The ornamental design for watch band, as shown and described.

**DESCRIPTION**

FIG. 1 is a front elevational view of watch band, showing my new design;

FIG. 2 is a right side elevational view thereof; the opposite side being a mirror image thereof;

FIG. 3 is a rear elevational view thereof;

FIG. 4 is a top plan view thereof;

FIG. 5 is a bottom plan view thereof;

FIG. 6 is a vertical cross-sectional side view taken along a center line of the front elevational view thereof;

FIG. 7 is a front view thereof with one side viewed in the direction of the arrow 7—7 in FIG. 1; and,

FIG. 8 is a front view thereof with one side viewed in the direction of the arrow 8—8 in FIG. 1.

**1 Claim, 2 Drawing Sheets**

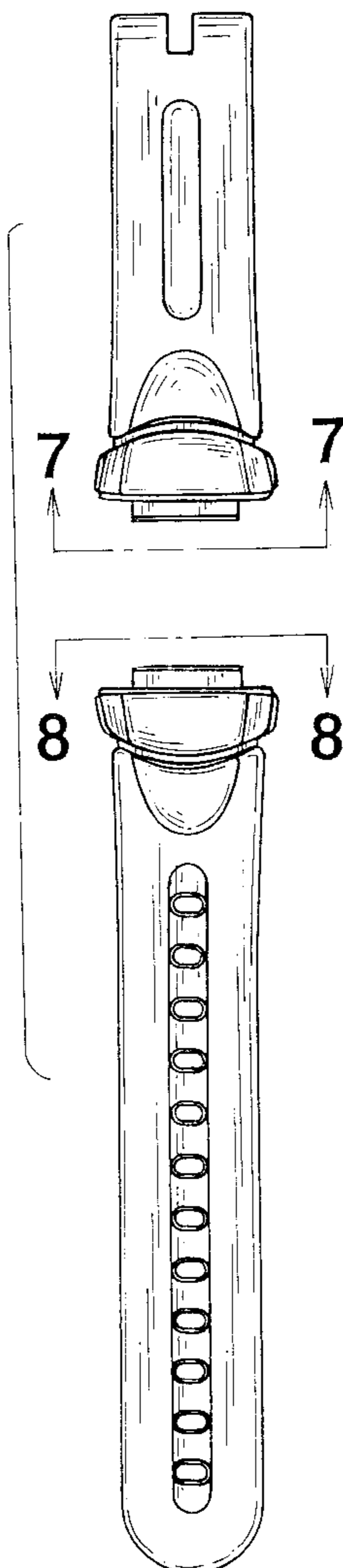
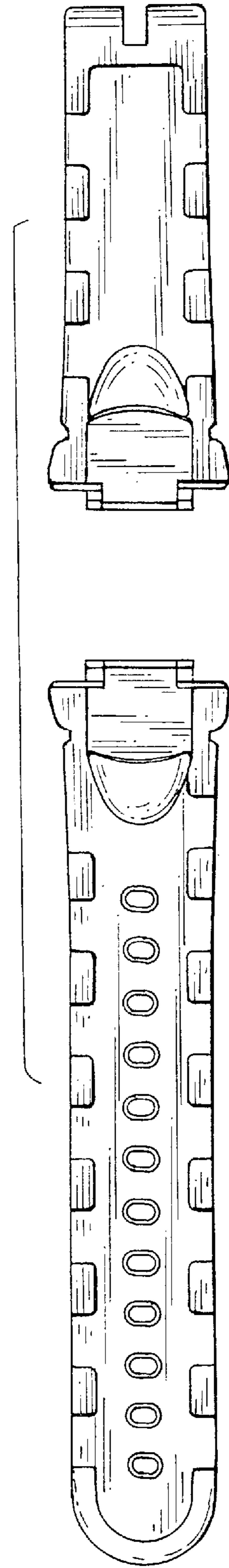
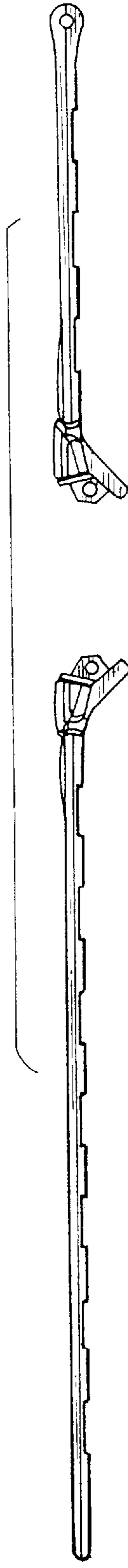
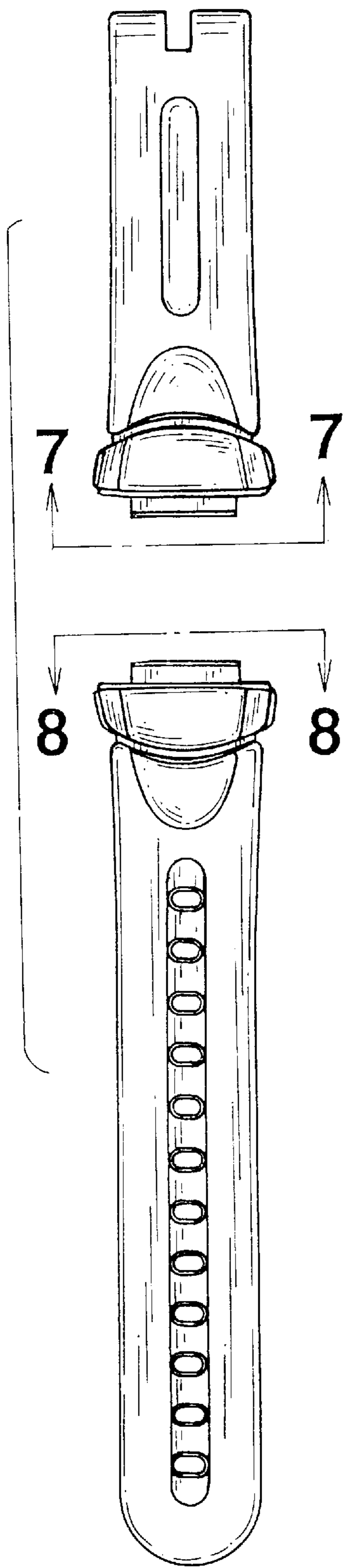


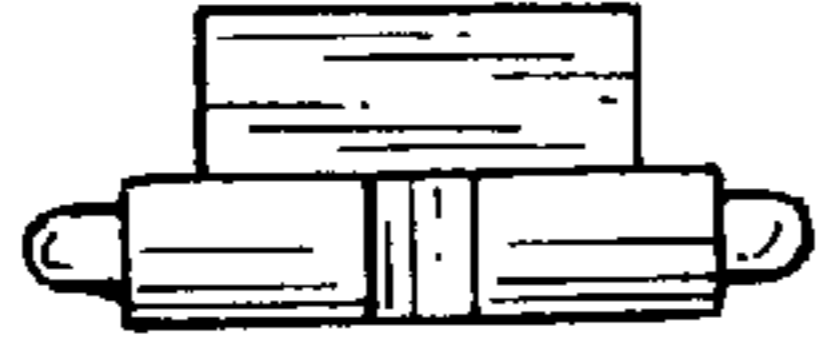
FIG.1

FIG.2

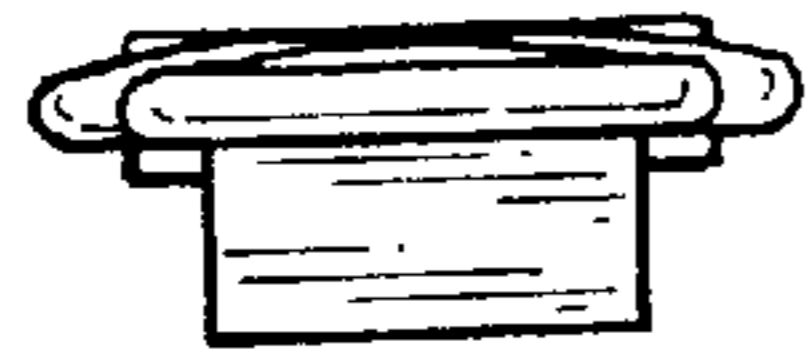
FIG.3



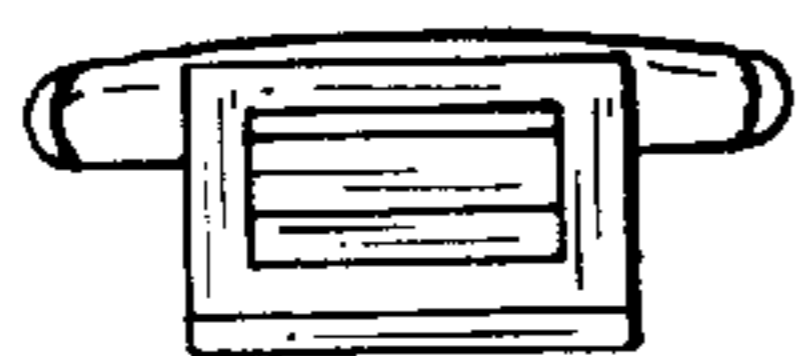
**FIG.4**



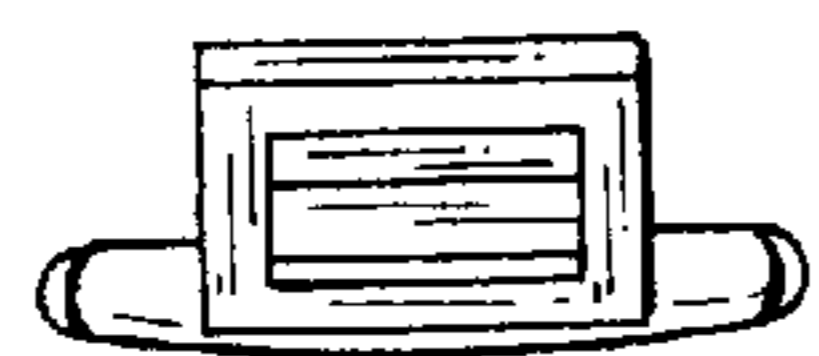
**FIG.5**



**FIG.7**



**FIG.8**



**FIG.6**

