



US00D407341S

**United States Patent** [19]  
**Oshita**

[11] **Patent Number: Des. 407,341**

[45] **Date of Patent: \*\*Mar. 30, 1999**

[54] **WATCH BAND**

[75] Inventor: **Shinichiro Oshita**, Kunitachi, Japan

[73] Assignee: **Casio Keisanki Kabushiki Kaisha**,  
Tokyo, Japan

[\*\*] Term: **14 Years**

[21] Appl. No.: **92,002**

[22] Filed: **Aug. 11, 1998**

[51] **LOC (6) Cl.** ..... **11-01**

[52] **U.S. Cl.** ..... **D11/3**

[58] **Field of Search** ..... D10/30-32; D11/1-4,  
D11/19-21, 25, 86, 87; 63/1.1-3

[56] **References Cited**

**U.S. PATENT DOCUMENTS**

D. 300,210	3/1989	Houlihan	.....	D10/31
D. 341,101	11/1993	Andrew	.....	D11/3
D. 387,692	12/1997	Hanagata	.....	D11/3
D. 393,602	4/1998	Sang	.....	D11/3

*Primary Examiner*—Ralf Seifert  
*Attorney, Agent, or Firm*—Frishauf, Holtz, Goodman,  
Langer & Chick

[57] **CLAIM**

The ornamental design for watch band, as shown and described.

**DESCRIPTION**

FIG. 1 is a front elevational view of watch band, showing my new design;  
FIG. 2 is a left side elevational view thereof;  
FIG. 3 is a right side elevational view thereof;  
FIG. 4 is a rear elevational view thereof;  
FIG. 5 is a top plan view thereof;  
FIG. 6 is a bottom plan view thereof;  
FIG. 7 is an enlarged end view, taken along line 7—7 in FIG. 1; and,  
FIG. 8 is a front view thereof with one side viewed in the direction of the arrow 8—8 and an opposite side viewed in the direction of the arrow 9—9 and being a mirror image thereof.

**1 Claim, 2 Drawing Sheets**

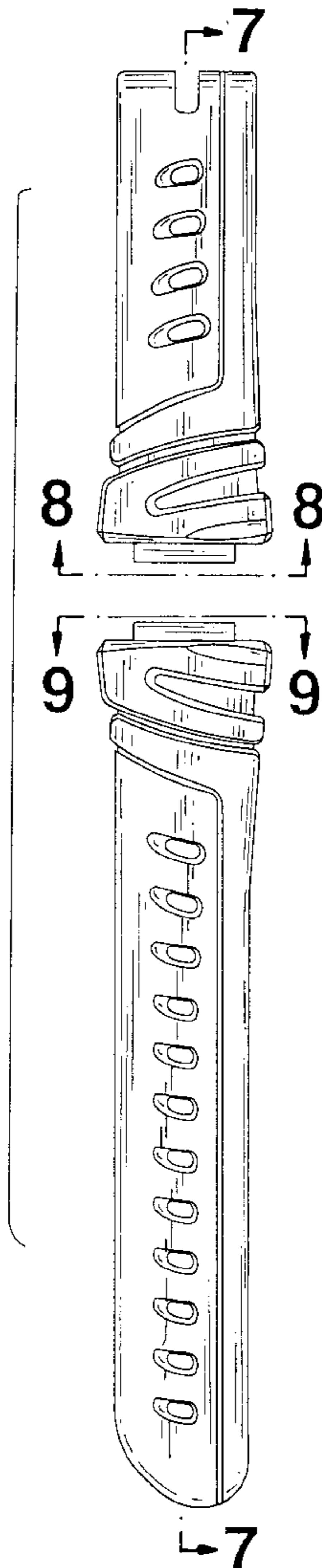


FIG.2

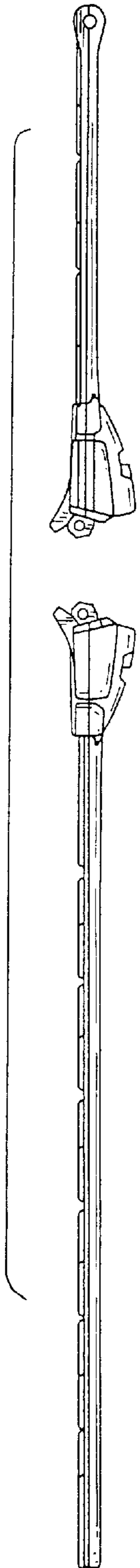


FIG.1

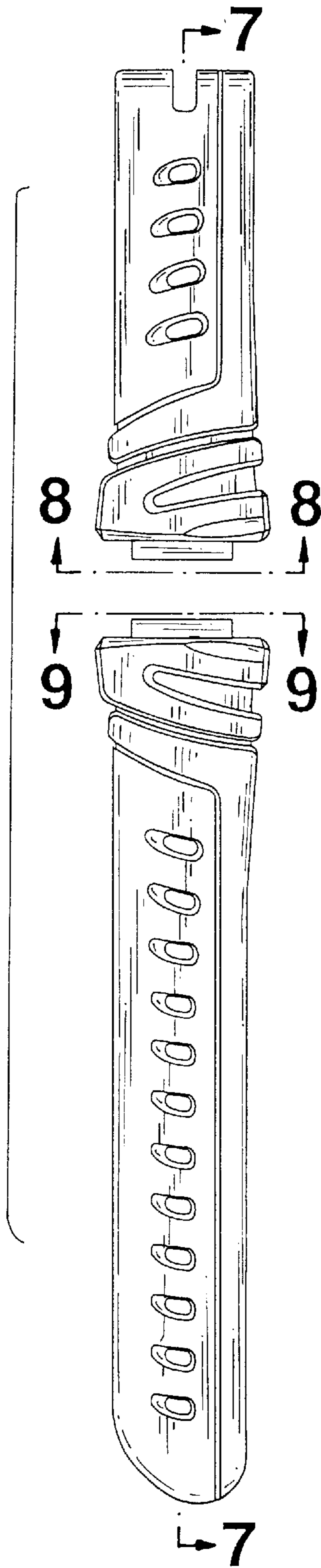


FIG.3

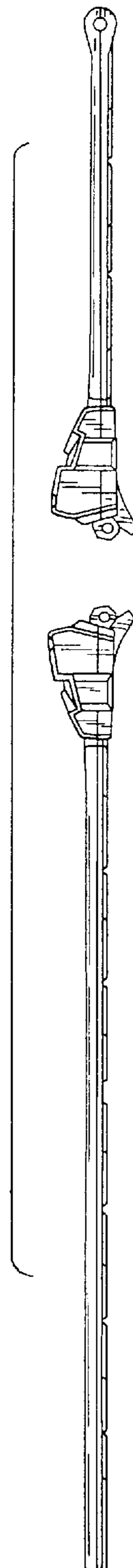
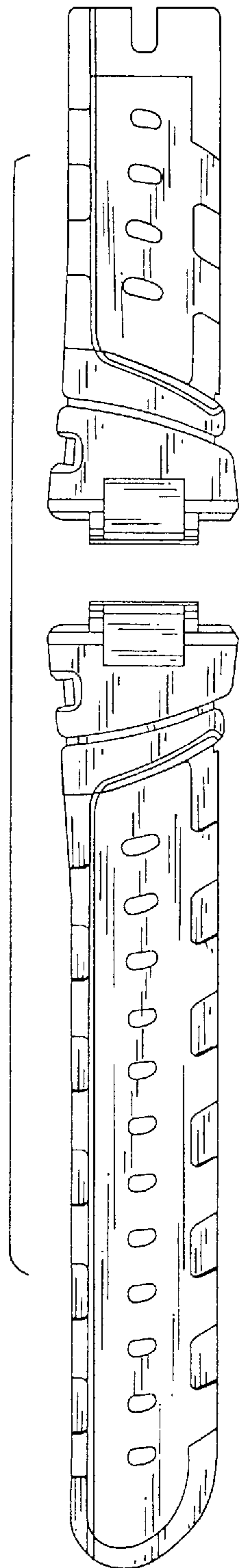


FIG.4



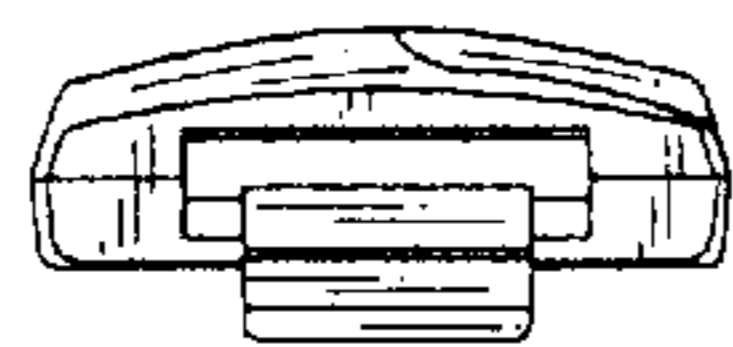
**FIG.5**



**FIG.6**



**FIG.8**



**FIG.7**

