



US00D407340S

United States Patent [19]
Moriai

[11] **Patent Number: Des. 407,340**

[45] **Date of Patent: **Mar. 30, 1999**

[54] **WATCH BAND**

[75] Inventor: **Ryusuke Moriai**, Ome, Japan

[73] Assignee: **Casio Keisanki Kabushiki Kaisha**,
Tokyo, Japan

[**] Term: **14 Years**

[21] Appl. No.: **92,001**

[22] Filed: **Aug. 11, 1998**

[51] **LOC (6) Cl.** **11-01**

[52] **U.S. Cl.** **D11/3**

[58] **Field of Search** D11/1-4, 19-21,
D11/25, 86, 87; 63/1.1-3

[56] **References Cited**

U.S. PATENT DOCUMENTS

- D. 300,210 3/1989 Houlihan D10/31
- D. 310,527 9/1990 Kaneko D11/3
- D. 331,020 11/1992 Ishii et al. D10/31
- D. 341,101 11/1993 Andrew D11/3

Primary Examiner—Ralf Seifert
Attorney, Agent, or Firm—Frishauf, Holtz, Goodman,
Langer & Chick

[57] **CLAIM**

The ornamental design for watch band, as shown and described.

DESCRIPTION

FIG. 1 is a front elevational view of watch band, showing my new design;
 FIG. 2 is a left side elevational view thereof;
 FIG. 3 is a right side elevational view thereof;
 FIG. 4 is a rear elevational view thereof;
 FIG. 5 is a top plan view thereof;
 FIG. 6 is a bottom plan view thereof;
 FIG. 7 is sectional end view, taken along line 7—7 in FIG. 1;
 FIG. 8 is a front view thereof with one side viewed in the direction of the arrow 8—8 in FIG. 1; and,
 FIG. 9 is a front view thereof with one side viewed in the direction of the arrow 9—9 in FIG. 1.

1 Claim, 2 Drawing Sheets

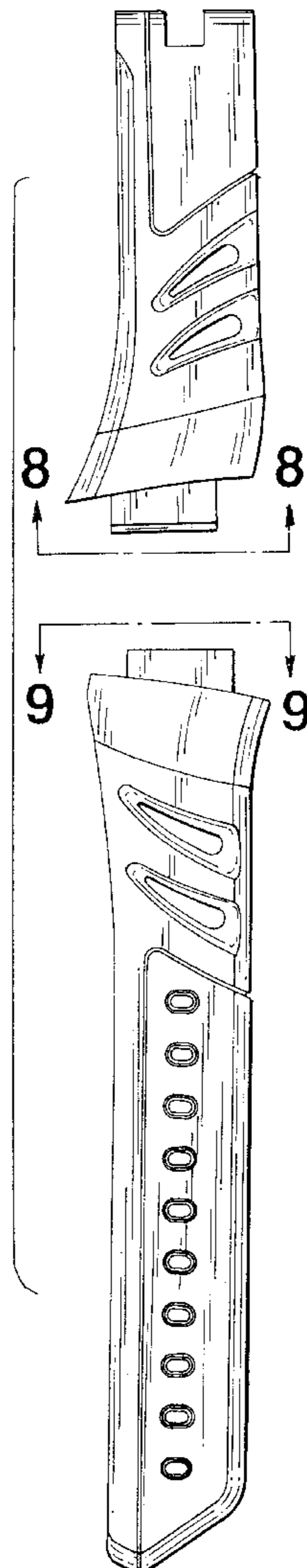


FIG.2

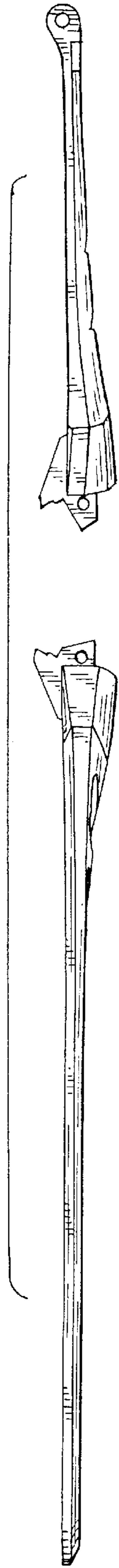


FIG.1

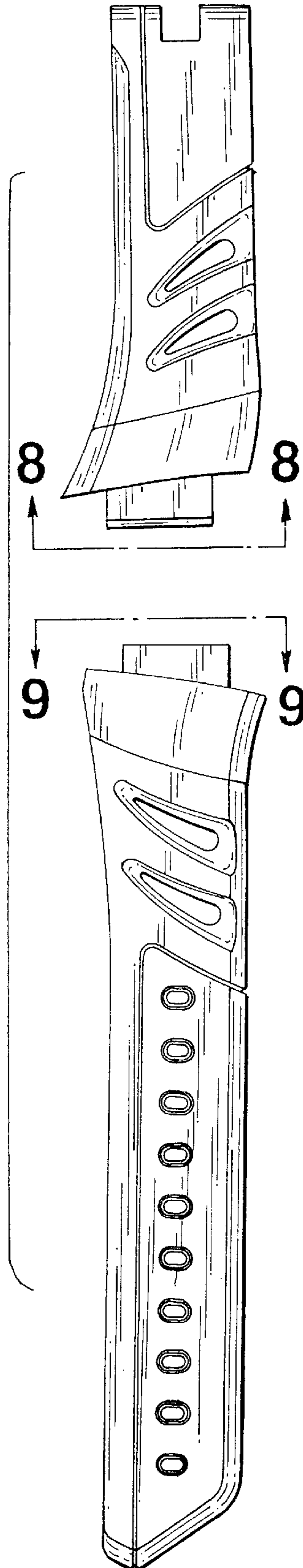


FIG.3

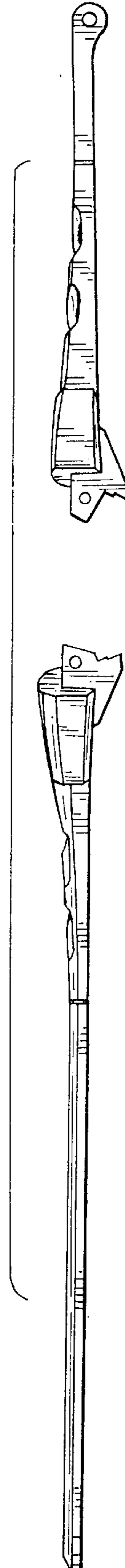


FIG.4

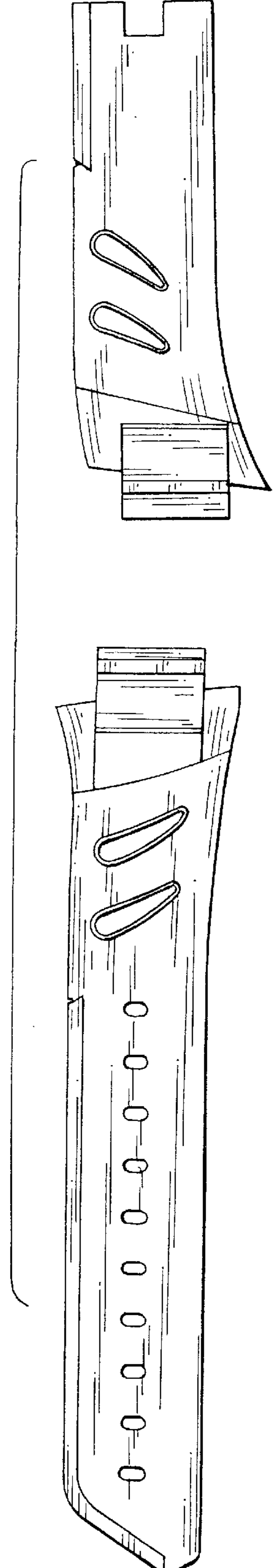


FIG.5



FIG.6

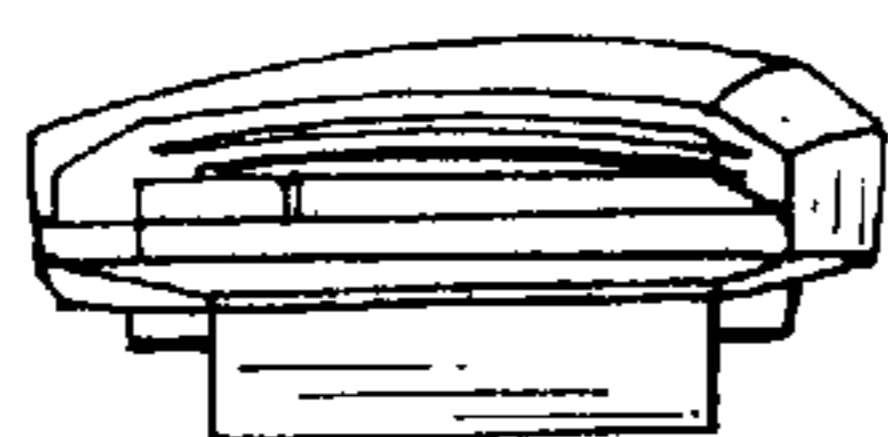


FIG.8

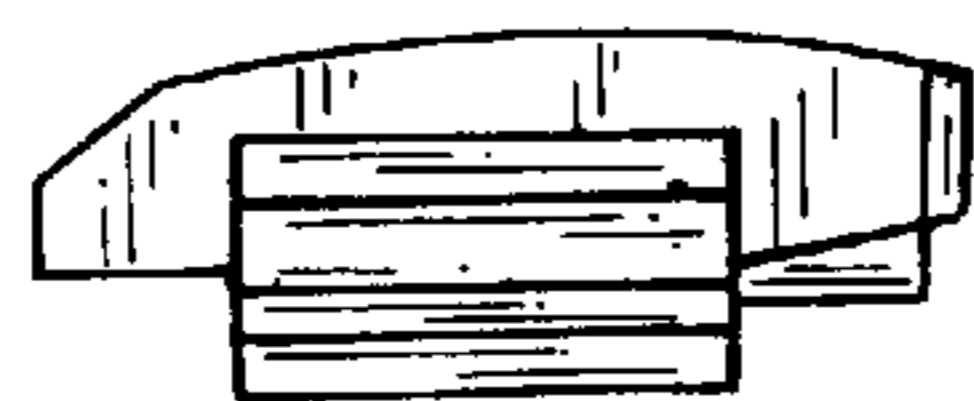


FIG. 9

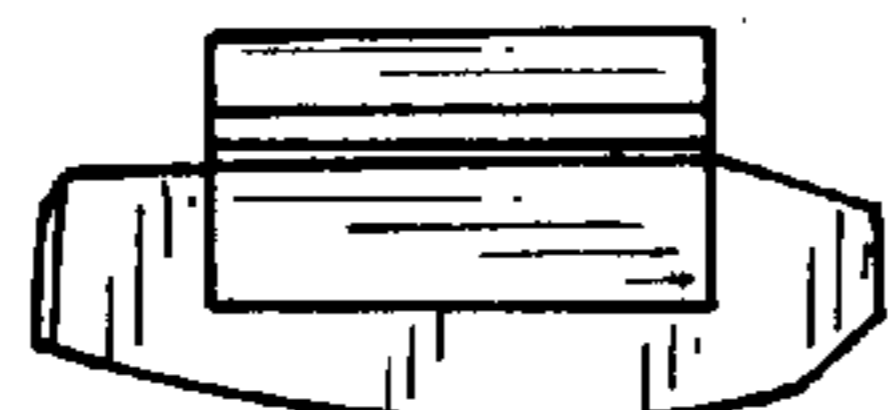


FIG.7

