



US00D407338S

United States Patent [19] Kline

[11] **Patent Number: Des. 407,338**

[45] **Date of Patent: **Mar. 30, 1999**

[54] **GARAGE VEHICLE POSITION INDICATOR**

[76] Inventor: **Larry J Kline**, 6244 Whittaker Rd.,
Ypsilanti, Mich. 48197

[**] Term: **14 Years**

[21] Appl. No.: **88,038**

[22] Filed: **May 14, 1998**

[51] **LOC (6) Cl. 10-05**

[52] **U.S. Cl. D10/109**

[58] **Field of Search** D10/116, 109,
D10/110, 114, 106; 116/28 A, 28 R; 40/584,
590, 591, 593, 599, 643

[56] **References Cited**

U.S. PATENT DOCUMENTS

- D. 376,554 12/1996 Richardson et al. D10/109
- D. 390,491 2/1998 Athanasiou D10/109
- D. 391,880 3/1998 Mintz D10/109
- D. 395,409 6/1998 Girona et al. D10/109

D. 398,028 9/1998 Bennett D10/109

Primary Examiner—Marcus A. Jackson

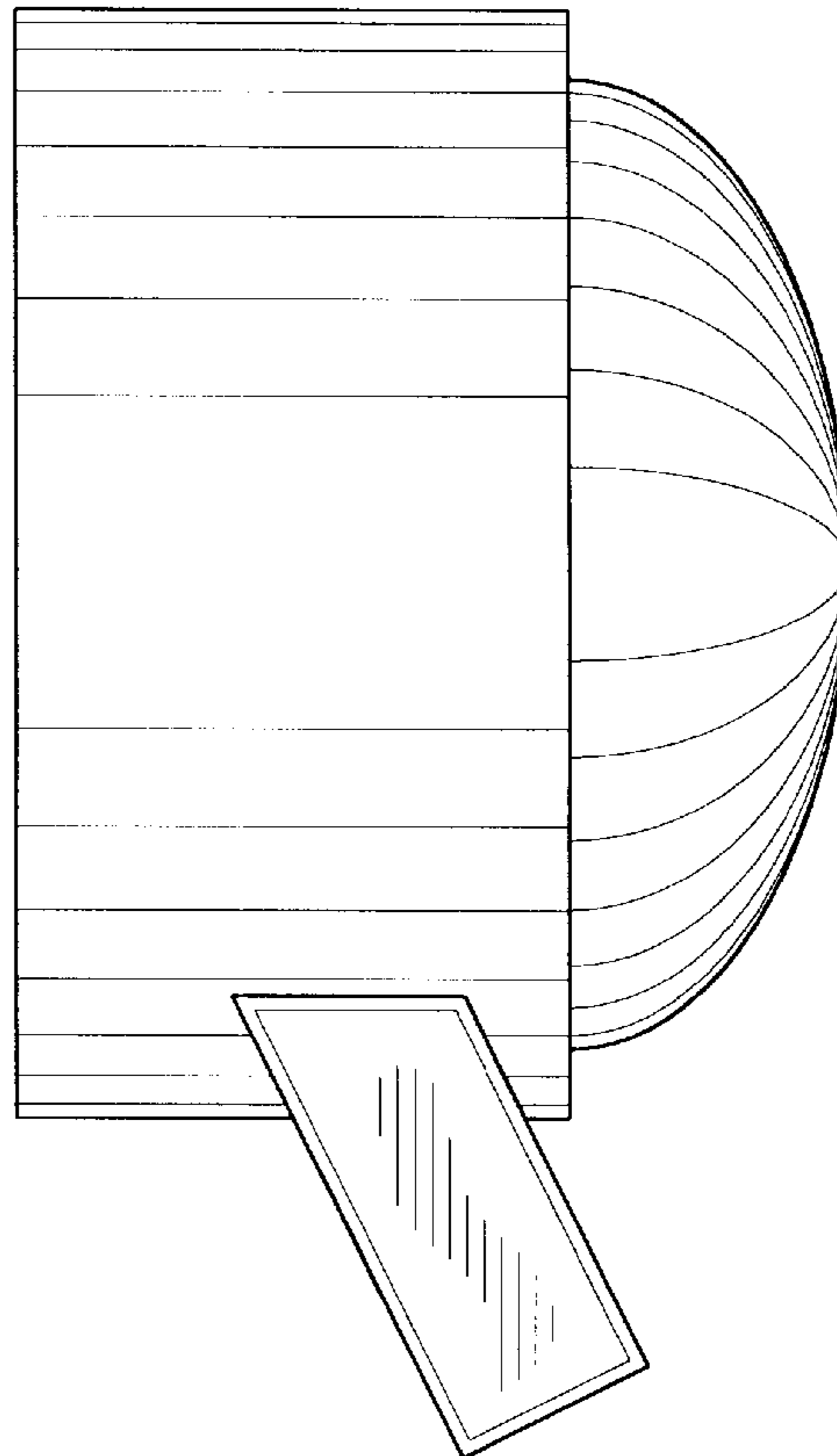
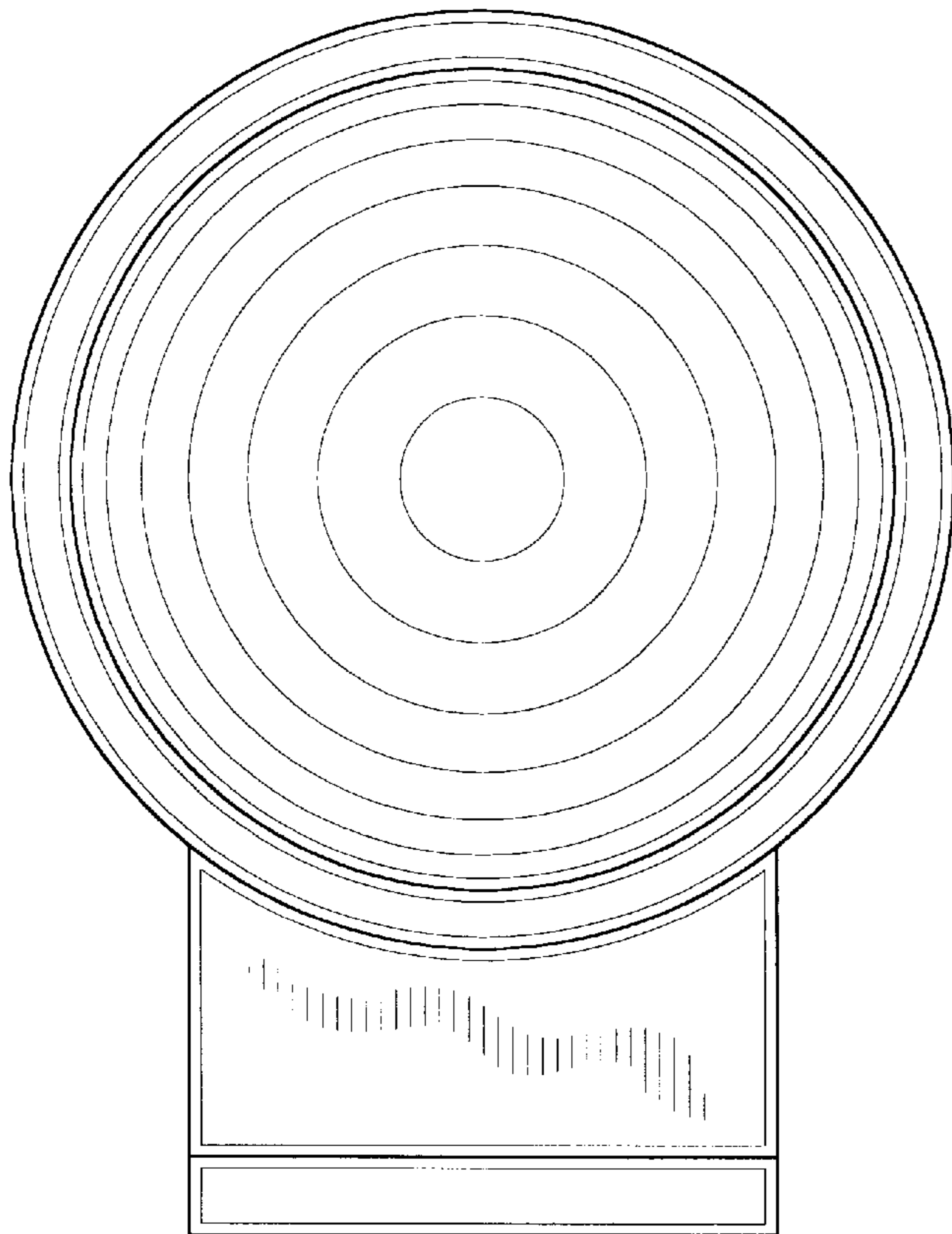
[57] **CLAIM**

The ornamental design for a garage vehicle position indicator, as shown.

DESCRIPTION

FIG. 1 is a front elevational view of the garage vehicle position indicator of the present invention;
 FIG. 2 is a back elevational view of the garage vehicle position indicator of FIG. 1;
 FIG. 3 is a left side elevational view of the garage vehicle position indicator of FIG. 1;
 FIG. 4 is a right side elevational view of the garage vehicle position indicator of FIG. 1;
 FIG. 5 is a top plan view of the garage vehicle position indicator of FIG. 1; and,
 FIG. 6 is a bottom plan view of the garage vehicle position indicator of FIG. 1.

1 Claim, 3 Drawing Sheets



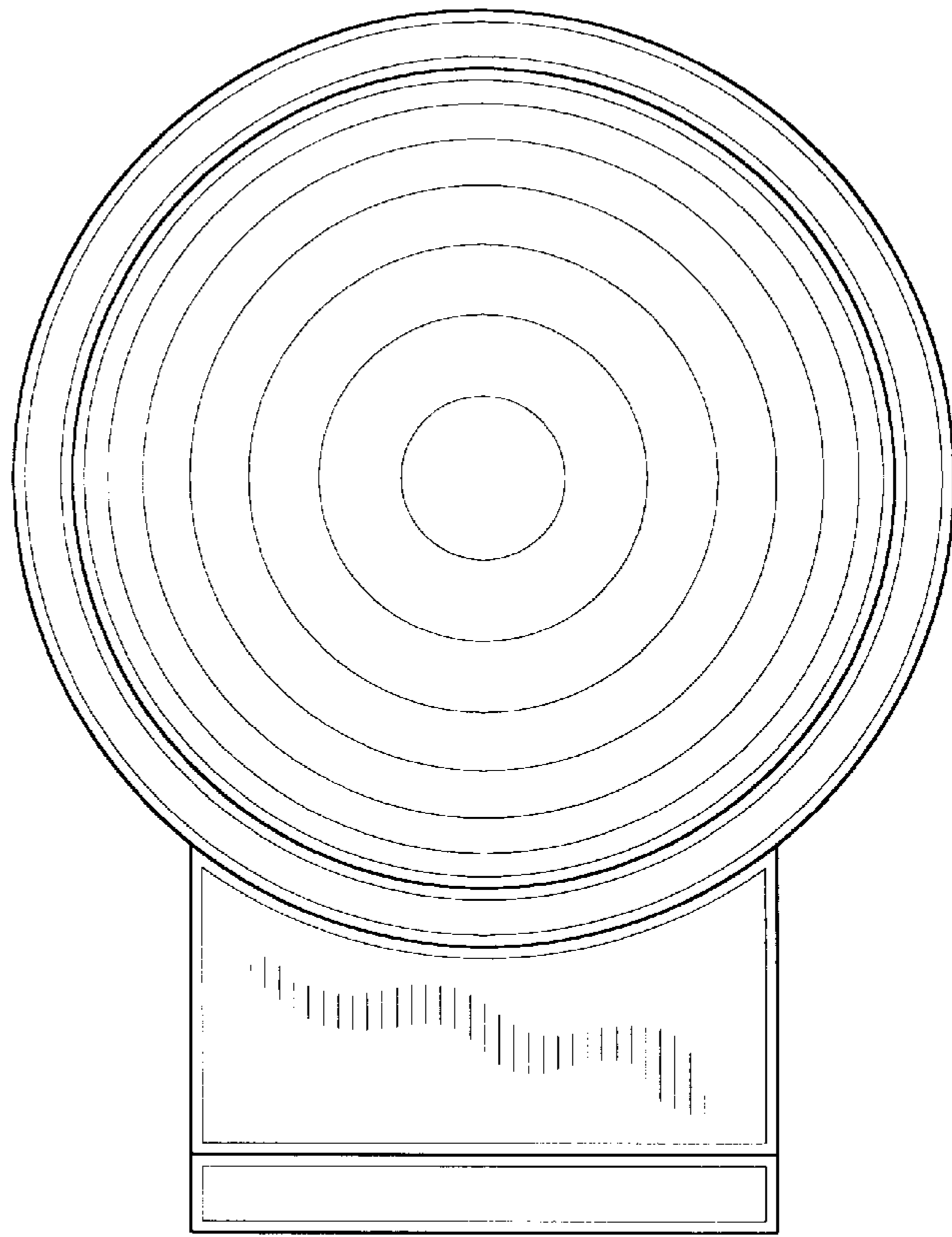


Fig. 1

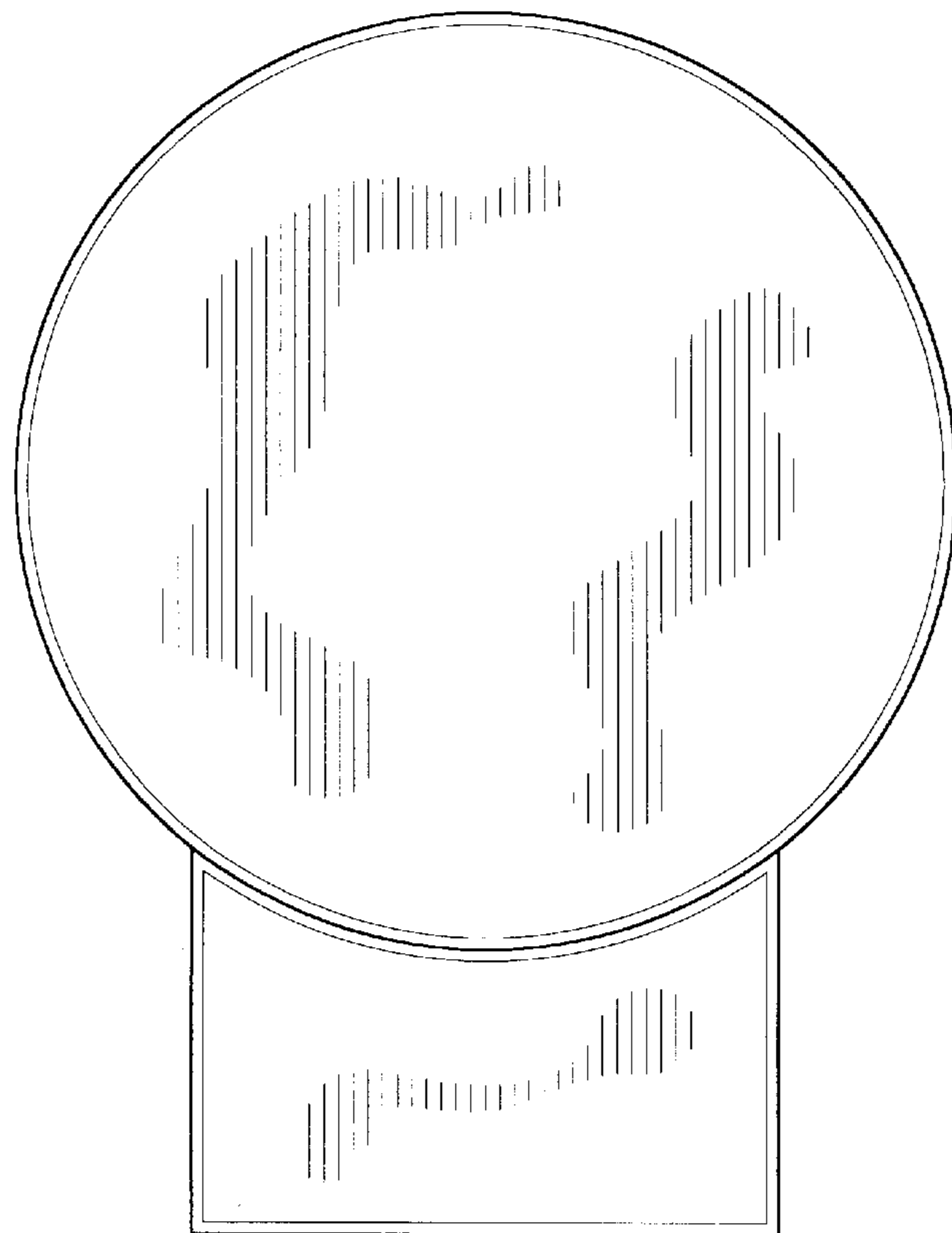


Fig. 2

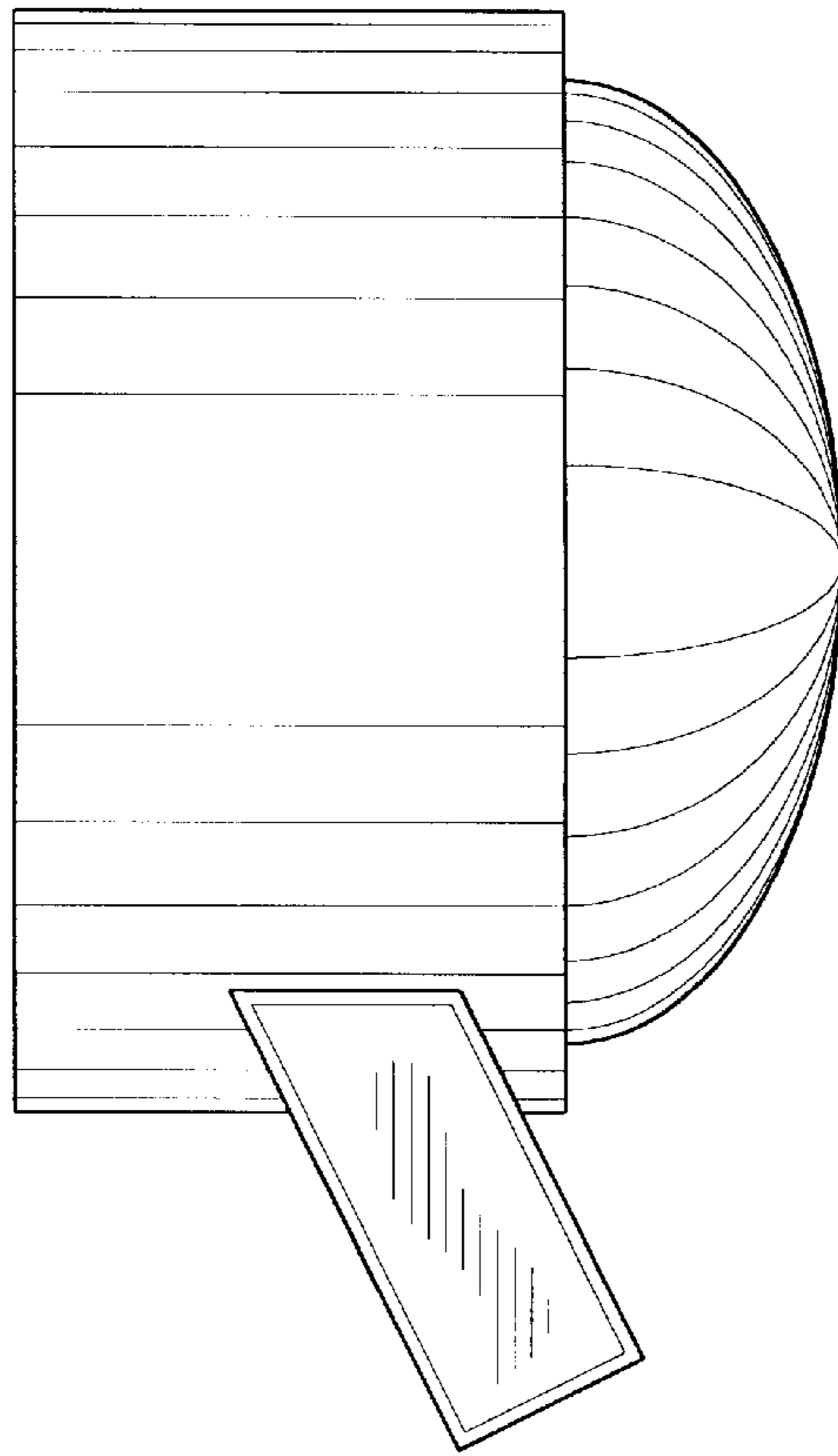


Fig. 3

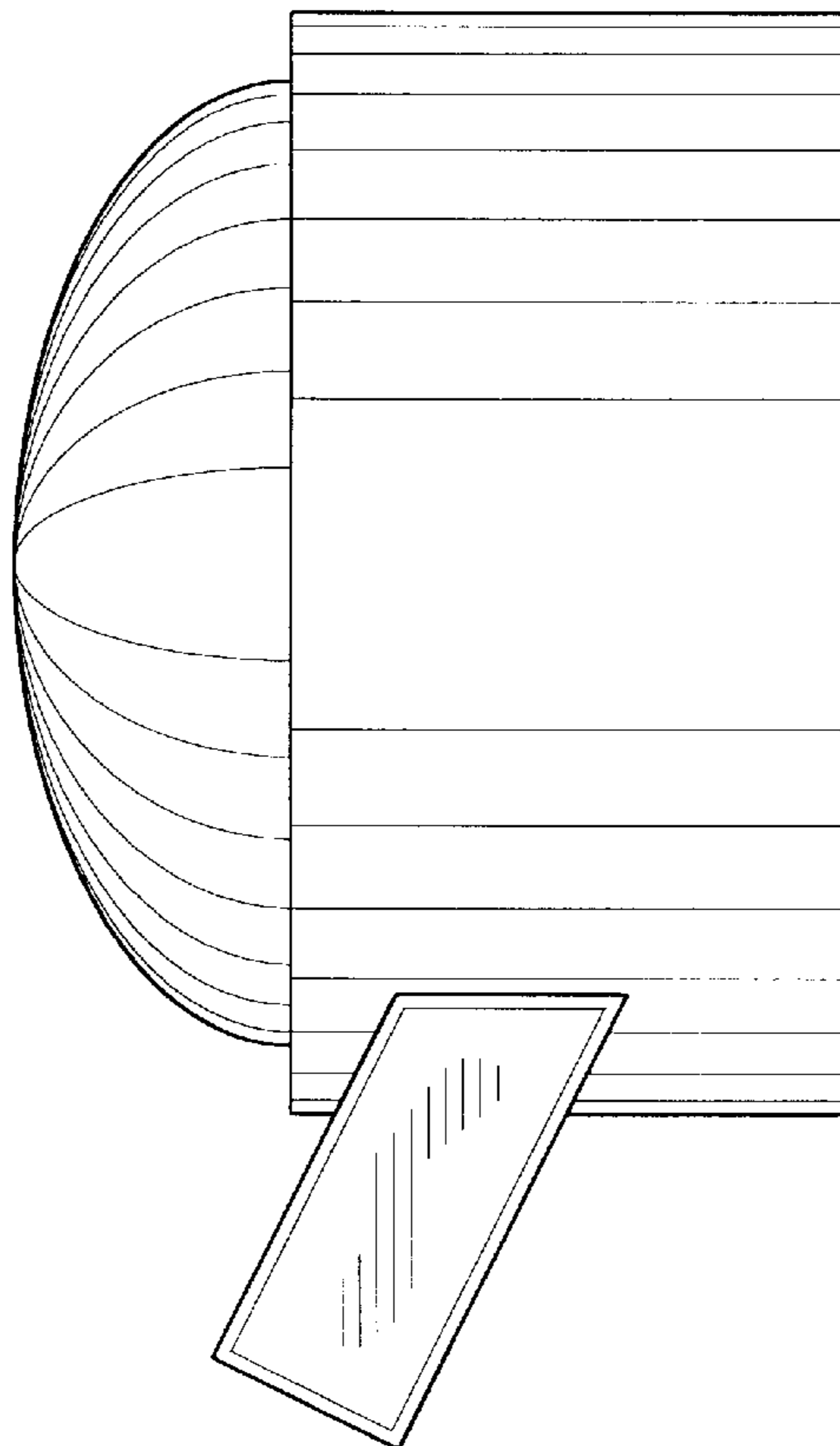


Fig. 4

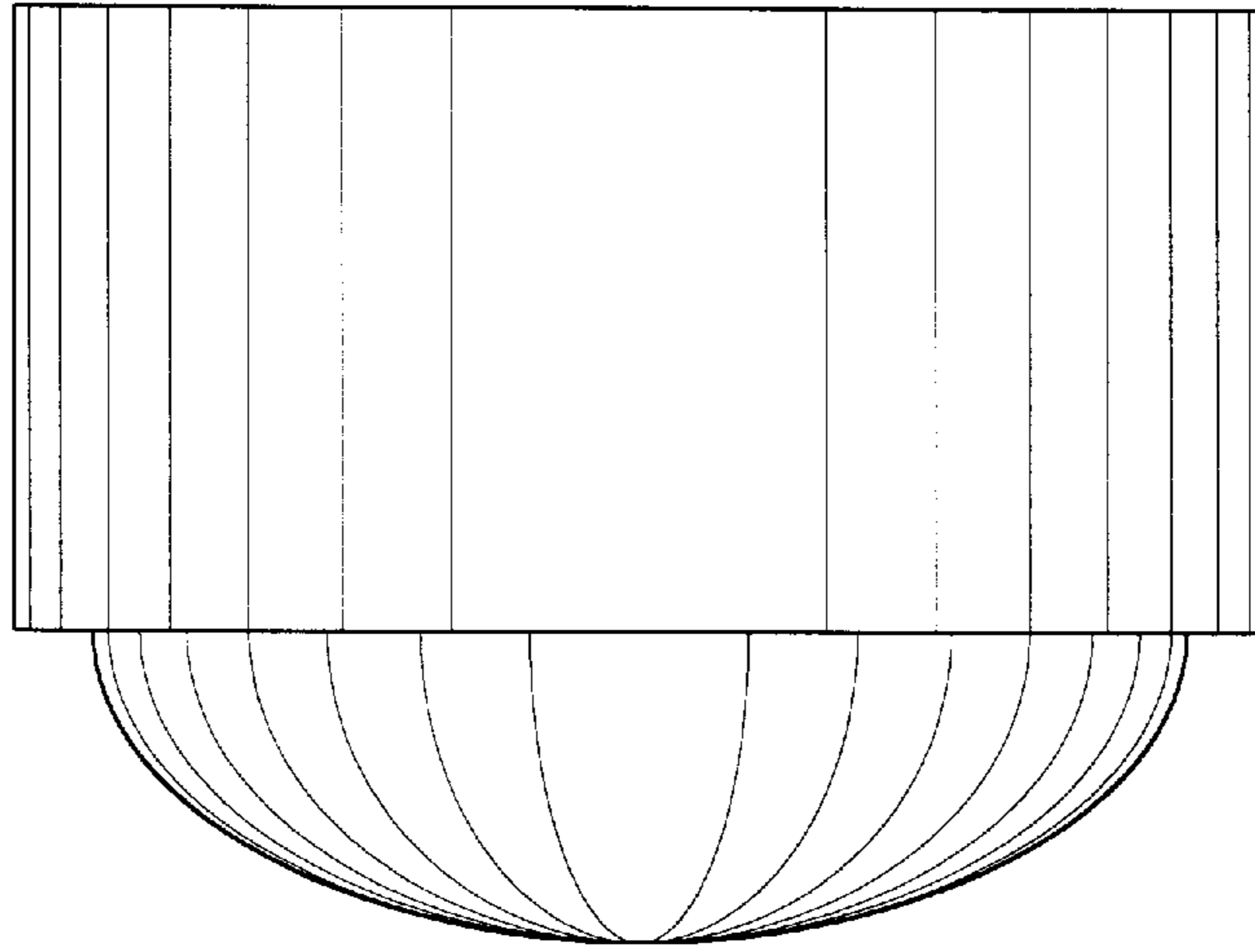


Fig. 5

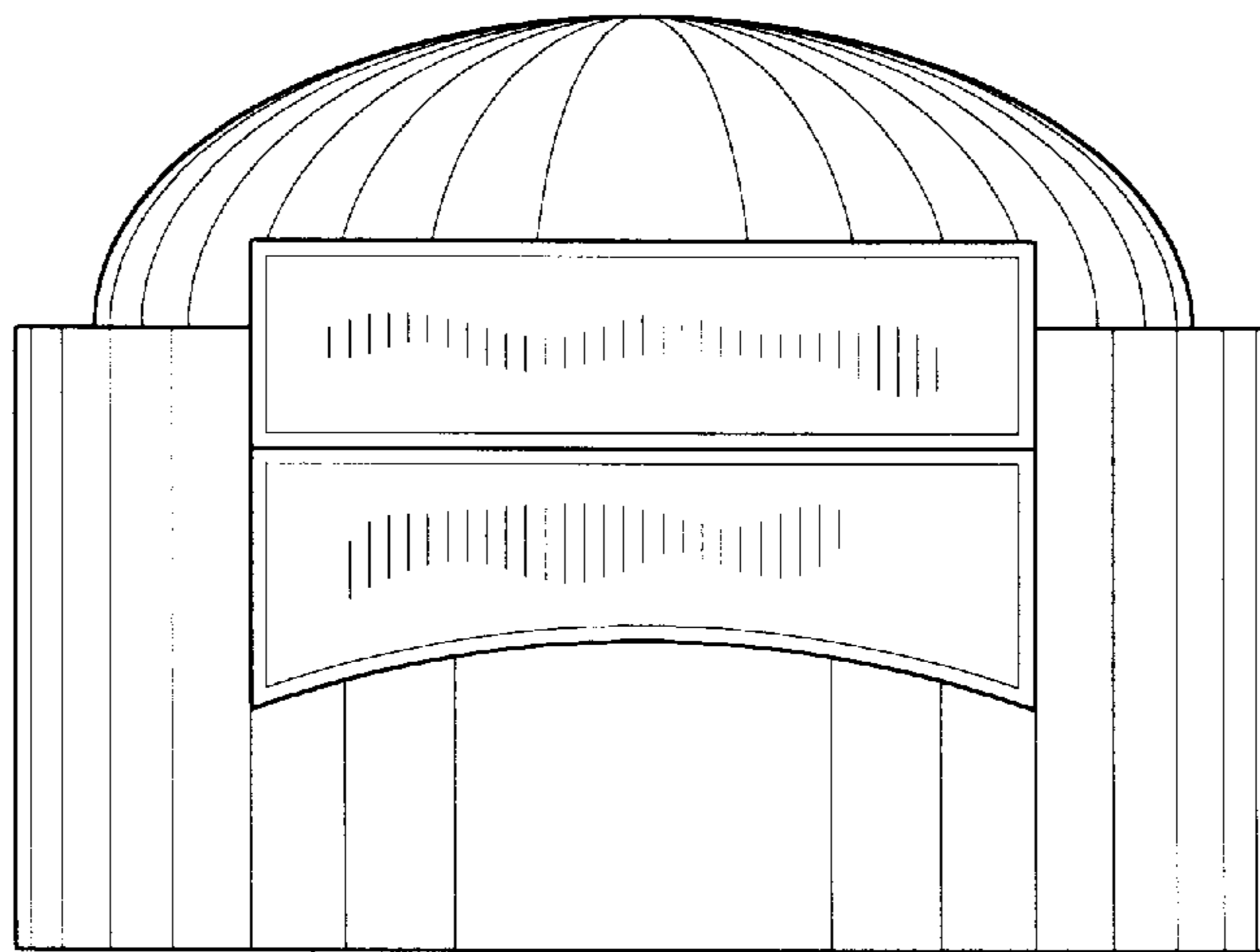


Fig. 6