



US00D407336S

United States Patent [19]

[11] Patent Number: Des. 407,336

Hemmelgarn et al.

[45] Date of Patent: ***Mar. 30, 1999

[54] **BASE PEDESTAL FOR A COORDINATE MEASURING MACHINE**

[75] Inventors: **Thomas L. Hemmelgarn**, Vandalia; **Freddie L. Raleigh**, Centerville, both of Ohio

[73] Assignee: **Giddings & Lewis, Inc.**, Fond du Lac, Wis.

[*] Notice: This patent issued on a continued prosecution application filed under 37 CFR 1.53(d), and is subject to the twenty year patent term provisions of 35 U.S.C. 154(a)(2).

[**] Term: **14 Years**

[21] Appl. No.: **75,416**

[22] Filed: **Aug. 18, 1997**

[51] **LOC (6) Cl.** **10-04**

[52] **U.S. Cl.** **D10/74**

[58] **Field of Search** D10/74, 103; 33/503, 33/567, 1 AA, 573, 349; D13/184, 199; D14/114, 217, 199; D15/141; 248/637, 673, 677, 678, 679, 903

[56] **References Cited**

U.S. PATENT DOCUMENTS

4,594,791	6/1986	Brandstetter	33/503
4,610,089	9/1986	Bell et al.	33/1 M
4,630,374	12/1986	Raleigh	33/1 M
4,680,868	7/1987	Orr et al.	33/503
4,682,418	7/1987	Tuss et al.	33/1 M
5,063,683	11/1991	Bury	33/573
5,125,163	6/1992	Bury	33/573
5,173,613	12/1992	Henry et al.	250/560
5,257,461	11/1993	Raleigh et al.	33/503

OTHER PUBLICATIONS

Mitutoyo, Sales Brochure (Bulletin No. 4430) for Coordinate Measuring Machines, 8 pgs (no date available).
Hemmel, Advertisement for Checkpack CMM, 2 pgs, 1997.
Hemmel, Sales Brochure for *Microstar L Series*, 2 pgs (no date available).

Hemmel, Sales Brochure for *PcMM*, 8 pgs., 1993.
Hemmel, Advertisement for Rambo RAM-Type CMM, 1 pg (no date available).
D.E.A., Sales Brochure for *Scirocco CMM*, 6 pgs., Mar. 1994.

(List continued on next page.)

Primary Examiner—Antoine Duval Davis
Attorney, Agent, or Firm—Foley & Lardner

[57] **CLAIM**

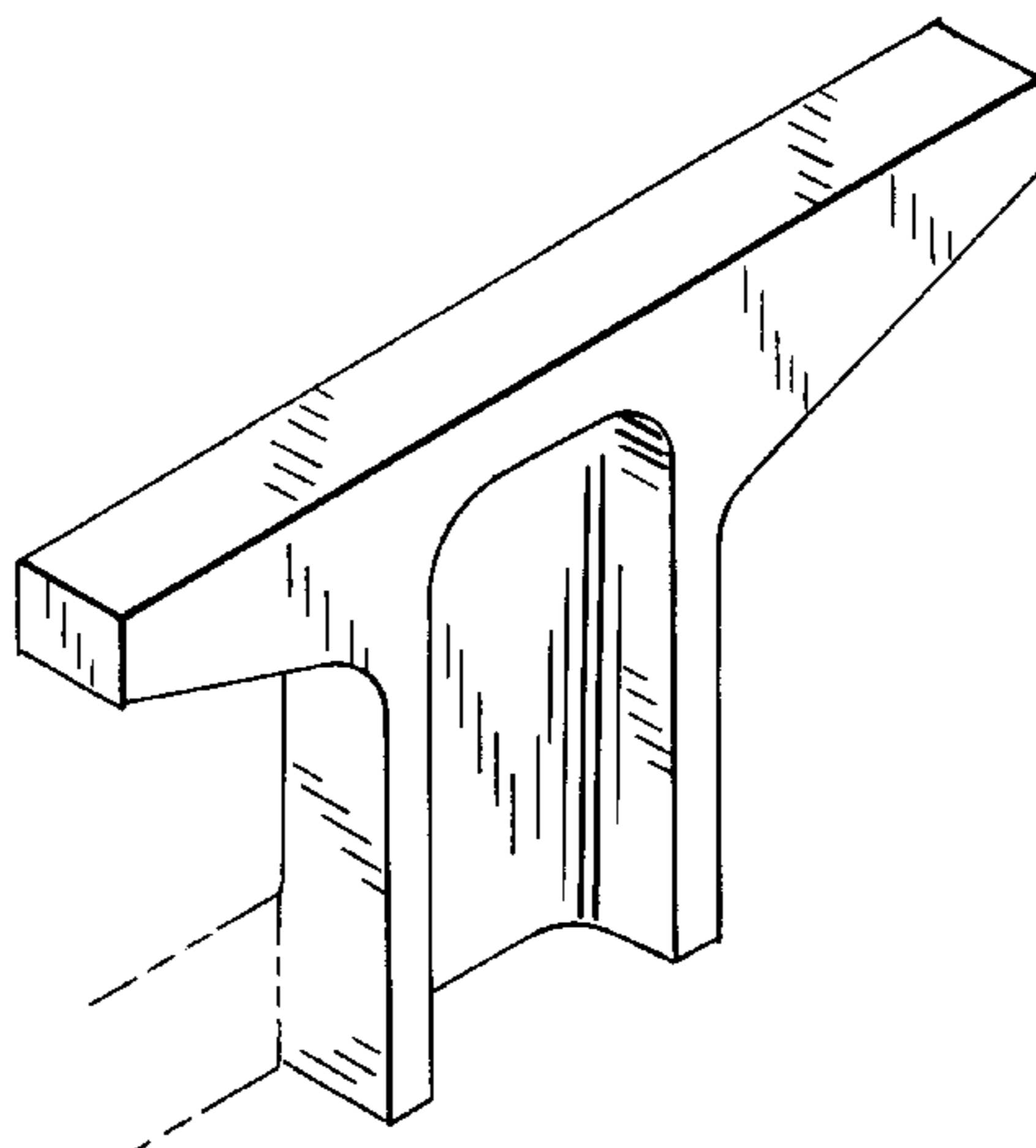
The ornamental design for a base pedestal for a coordinate measuring machine, as shown and described.

DESCRIPTION

FIG. 1 is a perspective view of a base pedestal for a coordinate measuring machine of the claimed design; FIG. 2 is a top plan view of the base pedestal of FIG. 1; FIG. 3 is a front elevational view of the base pedestal of FIG. 1; FIG. 4 is a right side elevational view of the base pedestal of FIG. 1; FIG. 5 is a left side elevational view of the base pedestal of FIG. 1; FIG. 6 is a rear elevational view of the base pedestal of FIG. 1; FIG. 7 is a perspective view of a second embodiment of a base pedestal for a coordinate measuring machine of the claimed design; FIG. 8 is a top plan view of the base pedestal of FIG. 7; FIG. 9 is a front elevational view of the base pedestal of FIG. 7; FIG. 10 is a right side elevational view of the base pedestal of FIG. 7; FIG. 11 is a left side elevational view of the base pedestal of FIG. 7; and, FIG. 12 is a rear elevational view of the base pedestal of FIG. 7.

The ornamental design which is claimed is shown in solid lines in the drawings. The broken lines in the drawings are for illustrative purposes only and form no part of the claimed design.

1 Claim, 4 Drawing Sheets



OTHER PUBLICATIONS

D.E.A., Sales Brochure for *Swift CMM*, 6 pgs., Mar. 1994.
Brown & Sharpe, Advertisement for MicroVal Personal CMM, 1 pg., 1989.

Carl Zeiss, Inc., Sales Brochure for *Zeiss ECLIPSE CMM*, 2 pgs., Apr. 1, 1993.

Mitutoyo, Catalog No. US4135, BRT Series 191, CNC Coordinate Measuring Machines, 6 pgs (no date available).

Starrett, Bulletin No. 733, *RGDC Series CMMs*, 4 pgs., Aug. 1994.

Mitutoyo, Catalog No. US 4118 (2), FHN906 Series 322, CNC Coordinate Measuring Machine, 4 pgs (no date available).

Giddings & Lewis, Inc., Sales Brochure for *Cordax MeasureMax*, 2 pgs., 1997.

Giddings & Lewis, Inc., Sales Brochure for *Cordax Discovery Series CMM*, 1 pg., 1997.

International Metrology Systems, Sales Brochure for *Impact CMM*, 6 pgs (no date available).

Slocum, A.H. Precision Machine Design. N.J., Prentice Hall, pp. 45-57 1992.

Giddings & Lewis, Inc., Sales Brochure for *Cordax, Coordinate Measuring Machines* 6 pgs., 1994.

Giddings & Lewis, Inc., Sales Brochure for *R-Series, Cordax Coordinate Measuring Machines*, 6 pgs., 1995.

FIG. 1

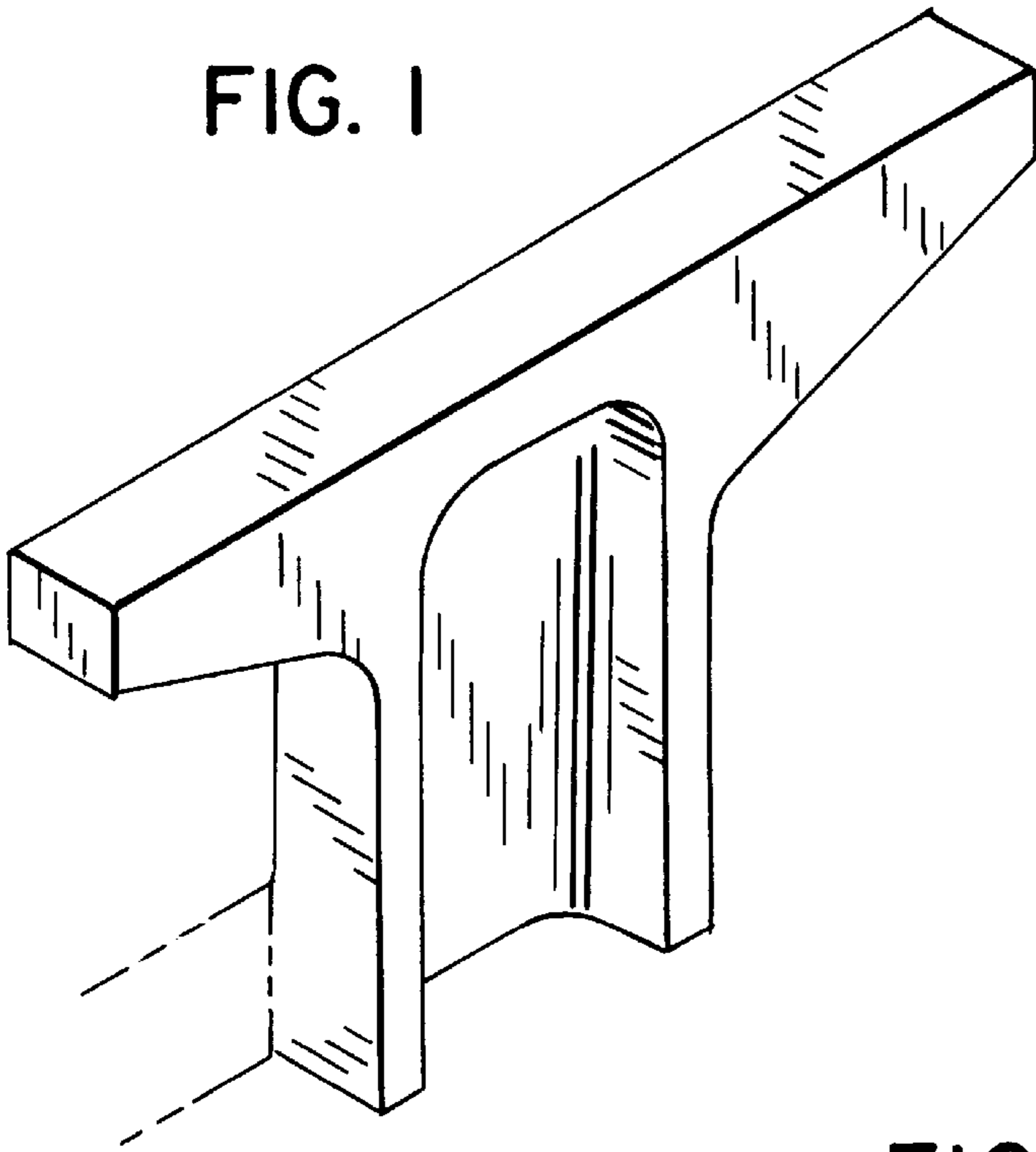


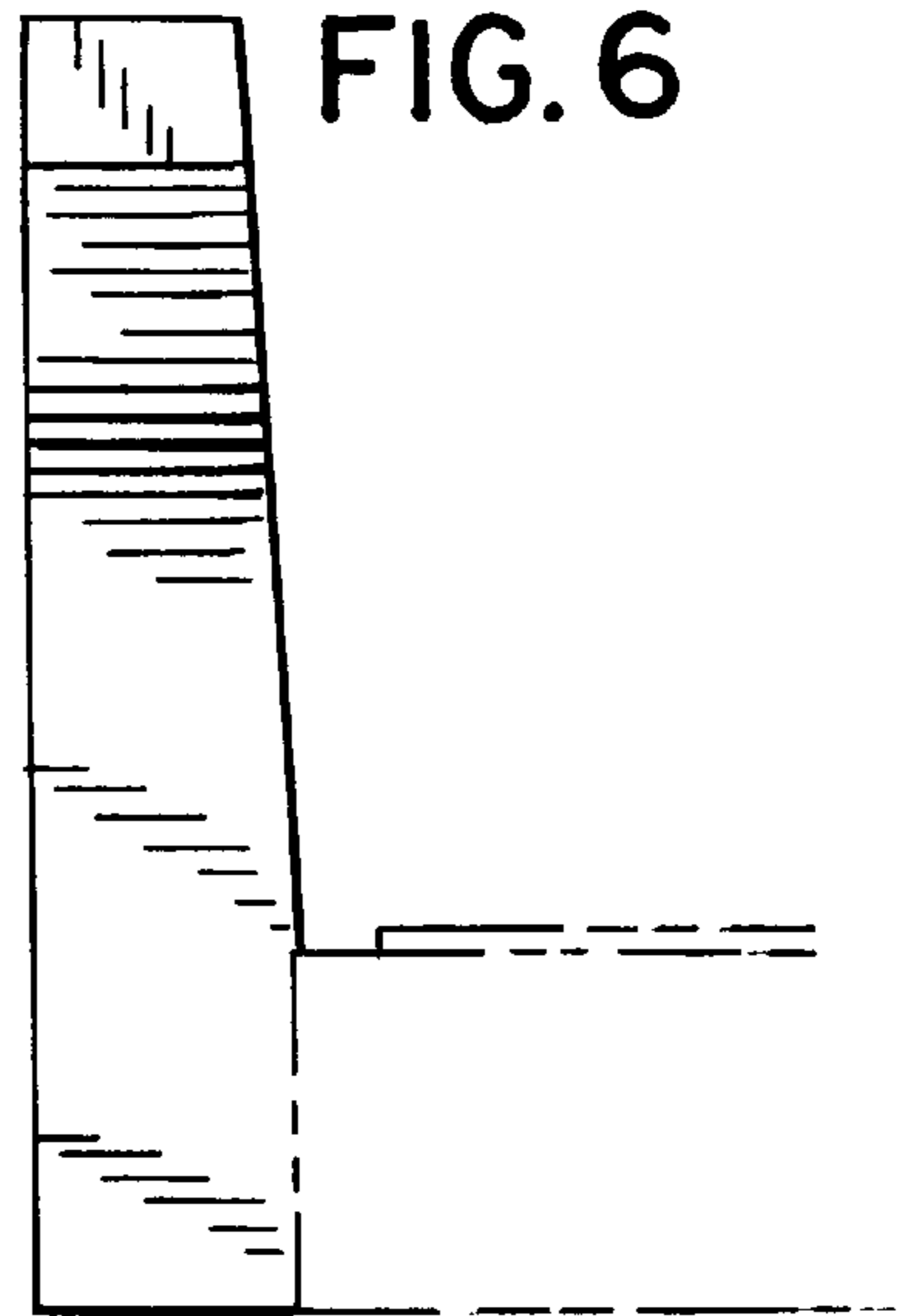
FIG. 2



FIG. 3



FIG. 6



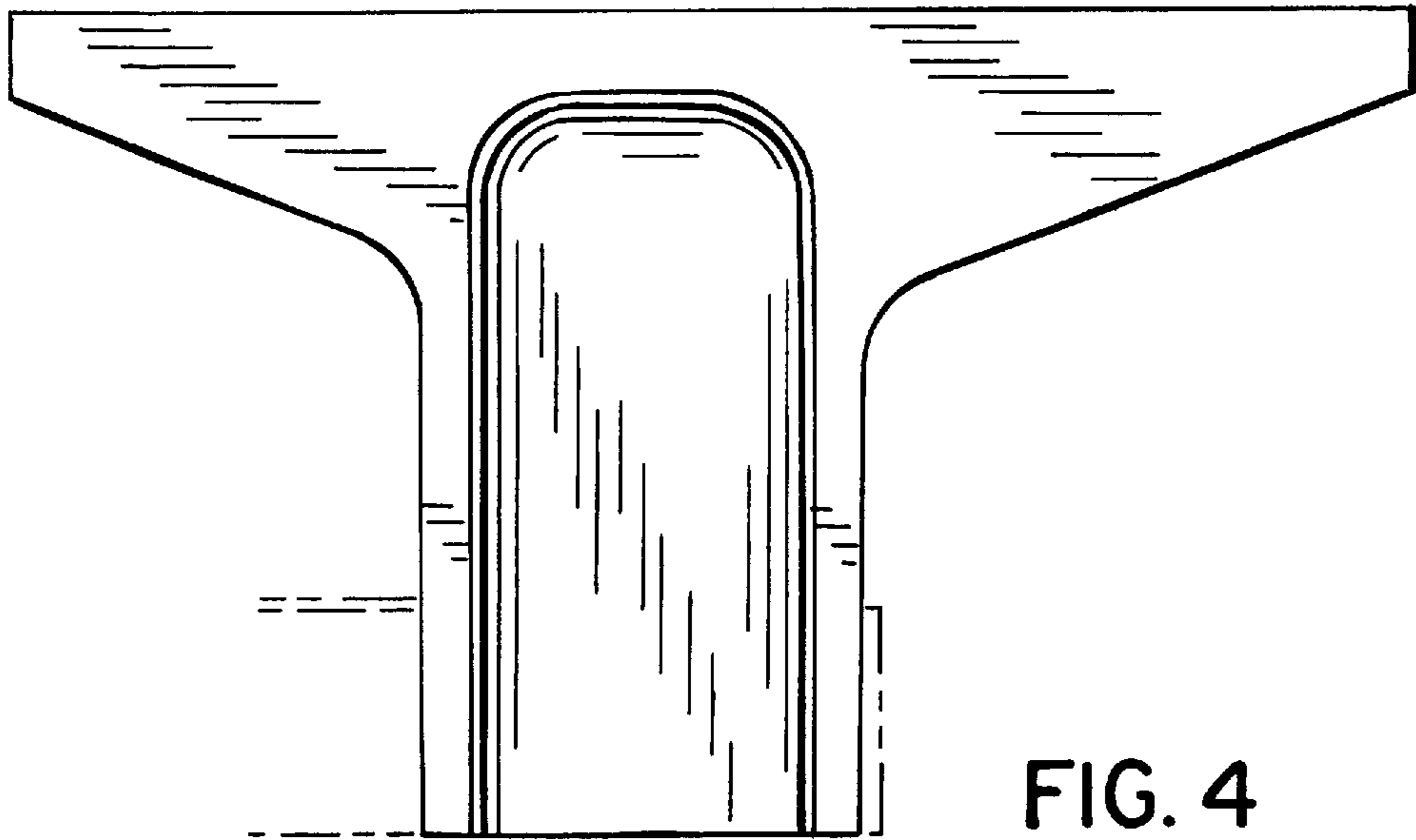


FIG. 4

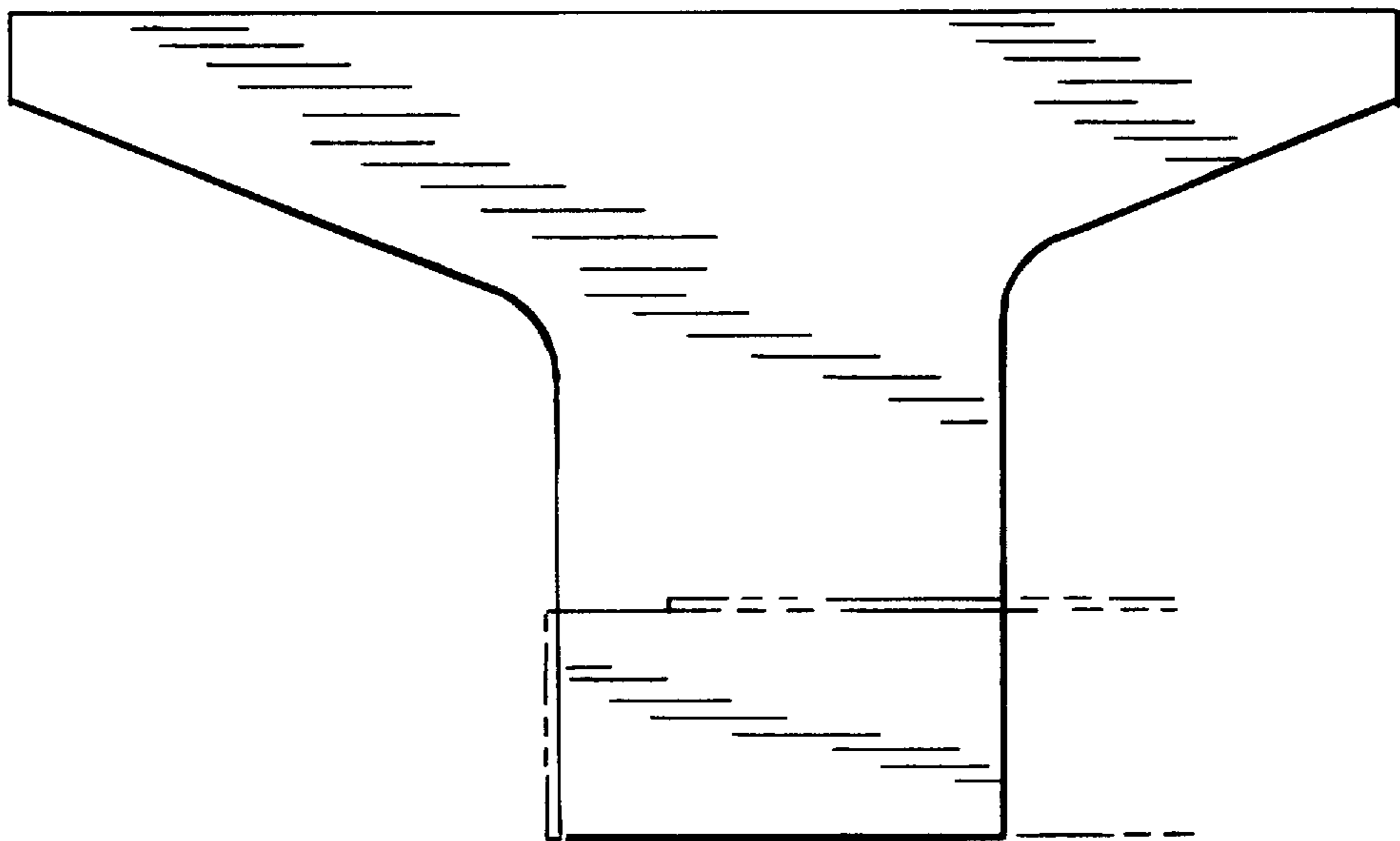


FIG. 5

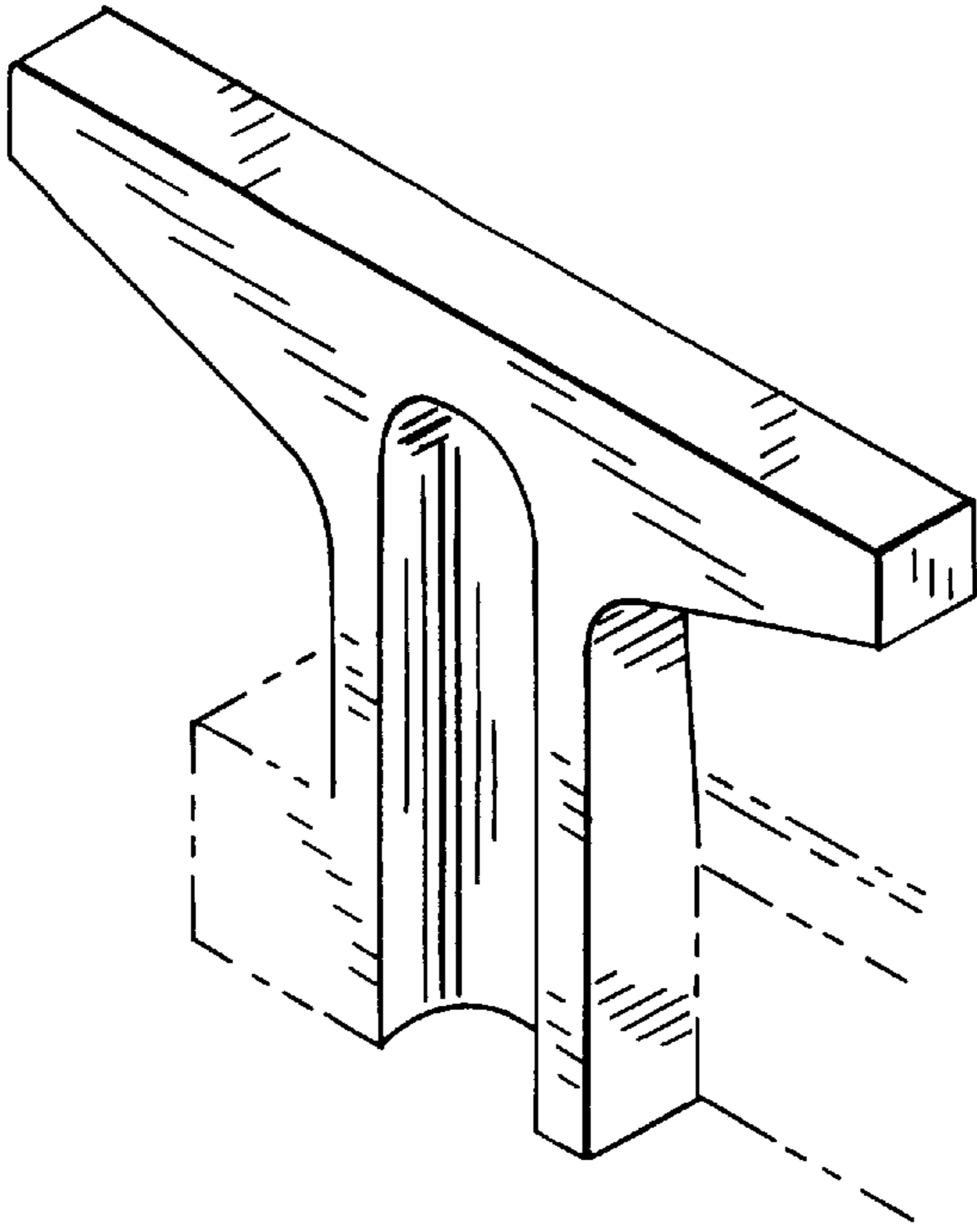


FIG. 7

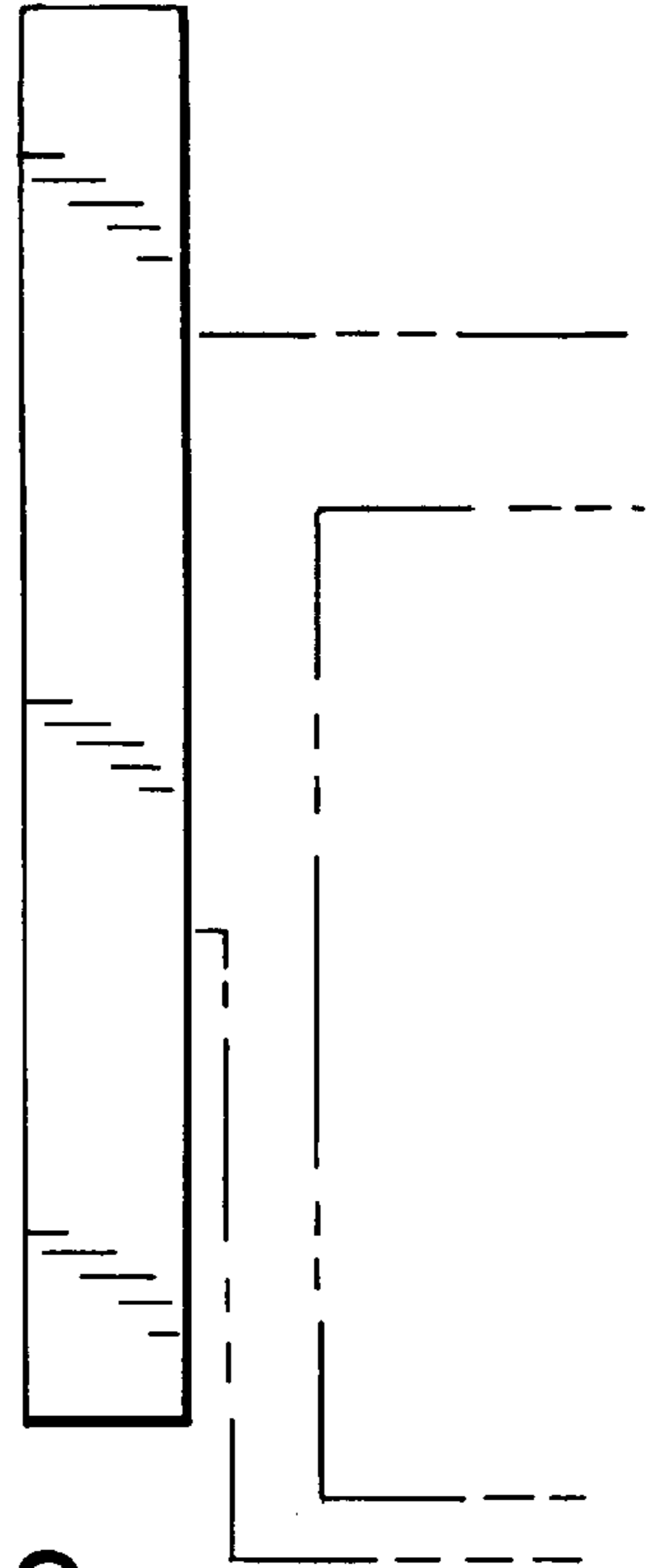


FIG. 8

FIG. 9

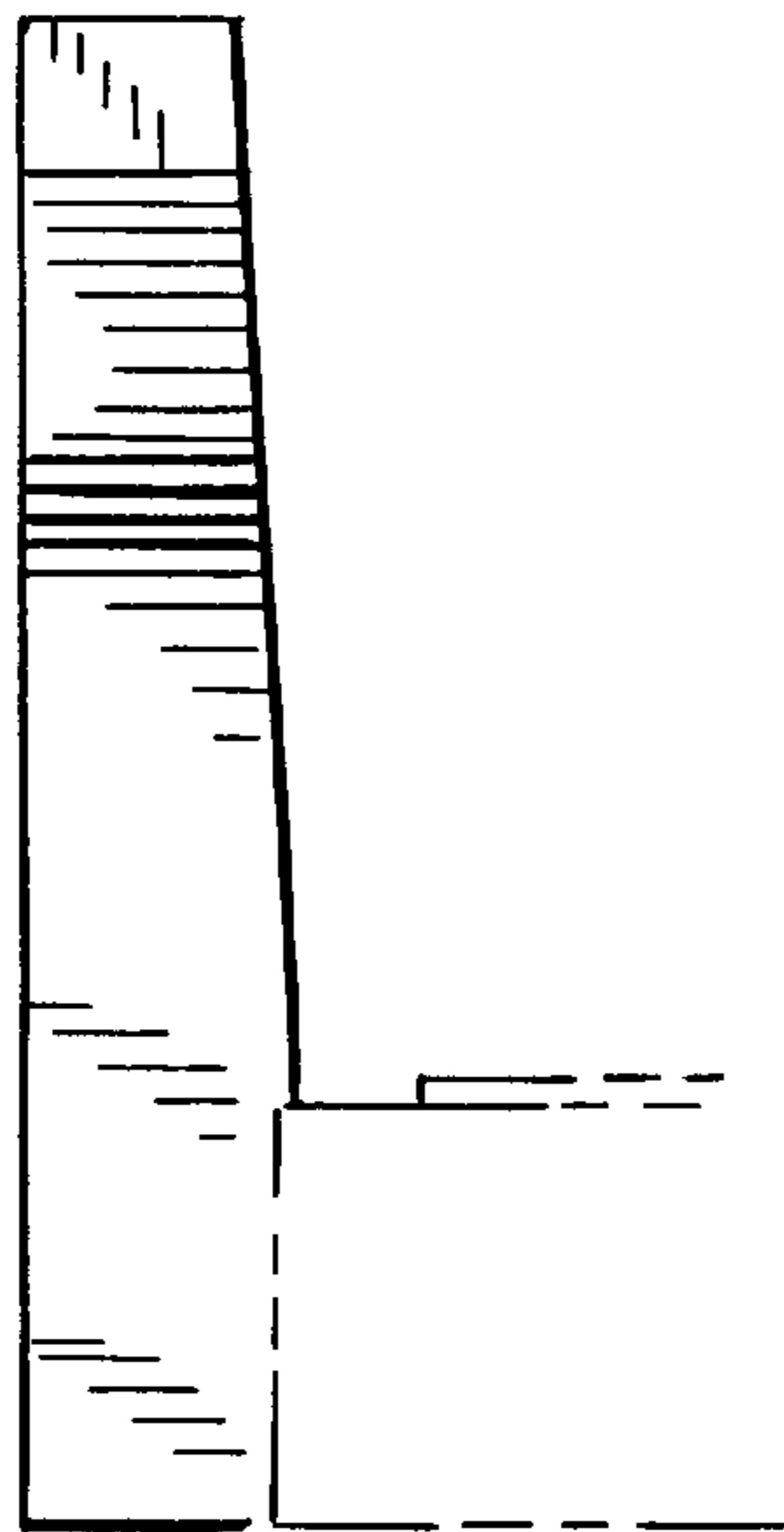


FIG. 12

