



US00D407330S

United States Patent [19]
Ishizaka

[11] **Patent Number: Des. 407,330**
[45] **Date of Patent: **Mar. 30, 1999**

[54] **WATCH CASE**

[75] **Inventor: Shingo Ishizaka, Akishima, Japan**

[73] **Assignee: Casio Keisanki Kabushiki Kaisha, Tokyo, Japan**

[**] **Term: 14 Years**

[21] **Appl. No.: 92,005**

[22] **Filed: Aug. 11, 1998**

[51] **LOC (6) Cl. 10-02**

[52] **U.S. Cl. D10/30; D10/38**

[58] **Field of Search D10/1-40, 122-132; 368/280-282, 276, 277, 28-30, 285, 239-242, 82-84, 41-44**

[56] **References Cited**

U.S. PATENT DOCUMENTS

- D. 387,677 12/1997 Hanagata D10/30
- D. 387,684 12/1997 Hanagata D10/38
- D. 394,393 5/1998 Kojima D10/30
- D. 394,401 5/1998 Moriai D10/30

- D. 394,403 5/1998 Hanagata D10/38
- D. 394,404 5/1998 Ishizaka D10/38
- D. 395,011 6/1998 Hanagata D10/30
- D. 396,648 8/1998 Moriai D10/30

Primary Examiner—Nelson C. Holtje
Attorney, Agent, or Firm—Frishauf, Holtz, Goodman, Langer & Chick

[57] **CLAIM**

The ornamental design for watch case, as shown and described.

DESCRIPTION

FIG. 1 is a front elevational view of watch case, showing my new design;
FIG. 2 is a top plan view thereof;
FIG. 3 is a bottom plan view thereof;
FIG. 4 is a rear elevational view thereof;
FIG. 5 is a right side elevational view thereof, the opposite side being a mirror image thereof; and,
FIG. 6 is a front, bottom and right side perspective view thereof.

1 Claim, 2 Drawing Sheets

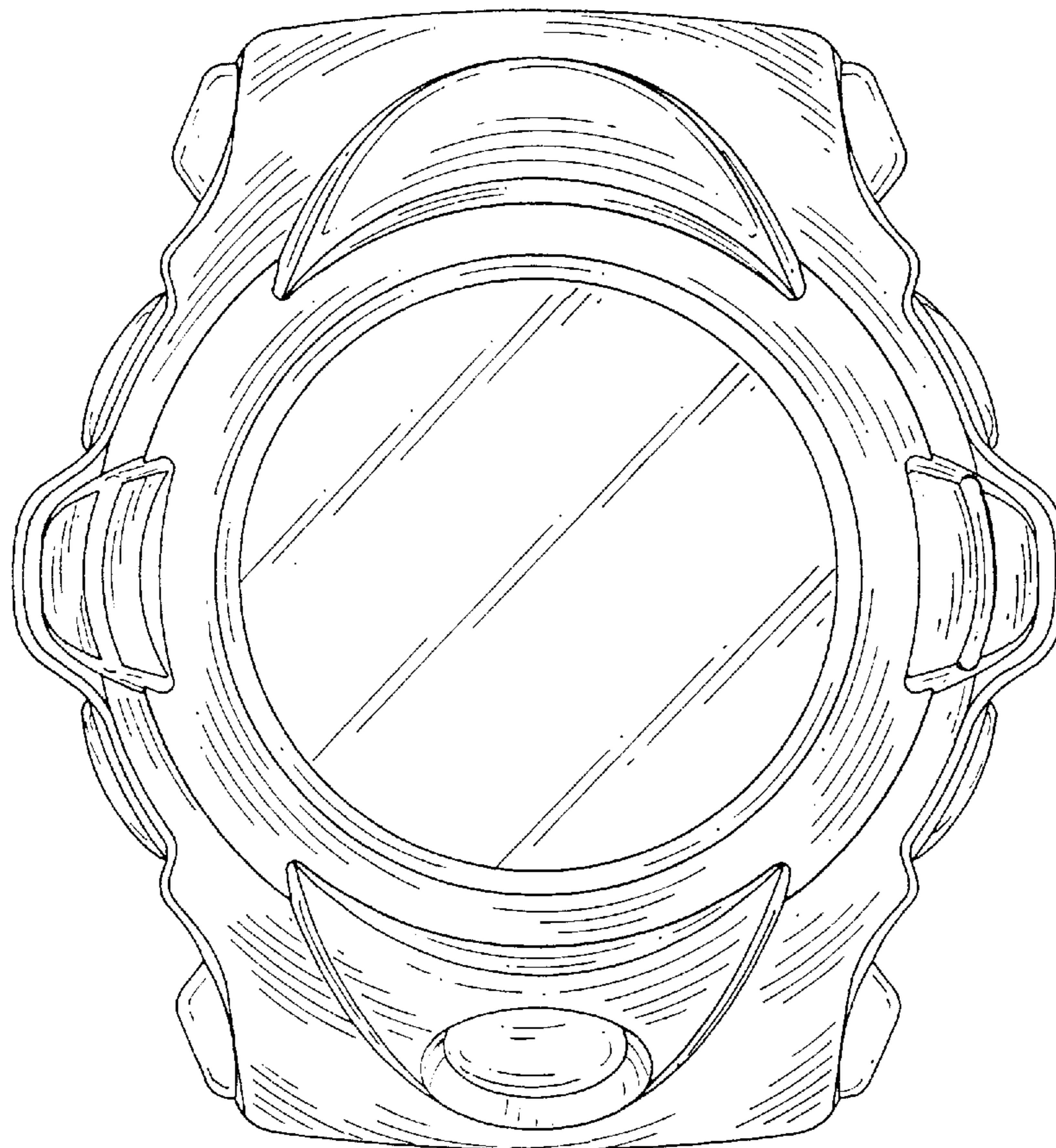


FIG.2

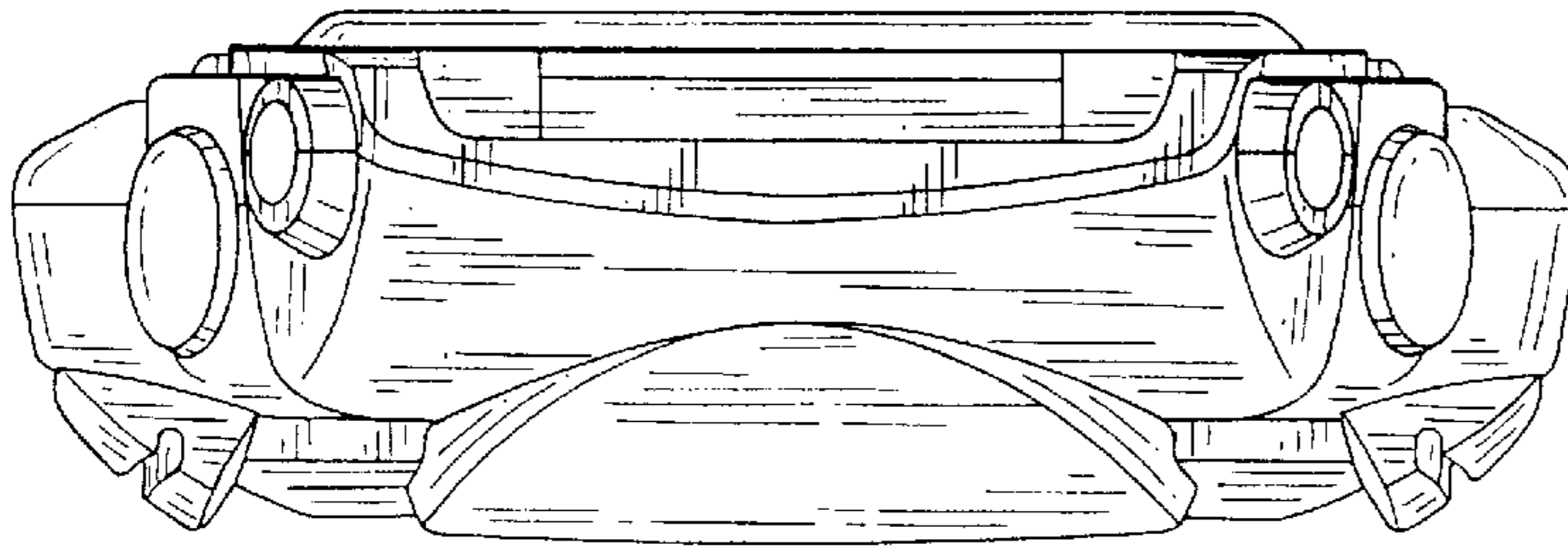


FIG.1

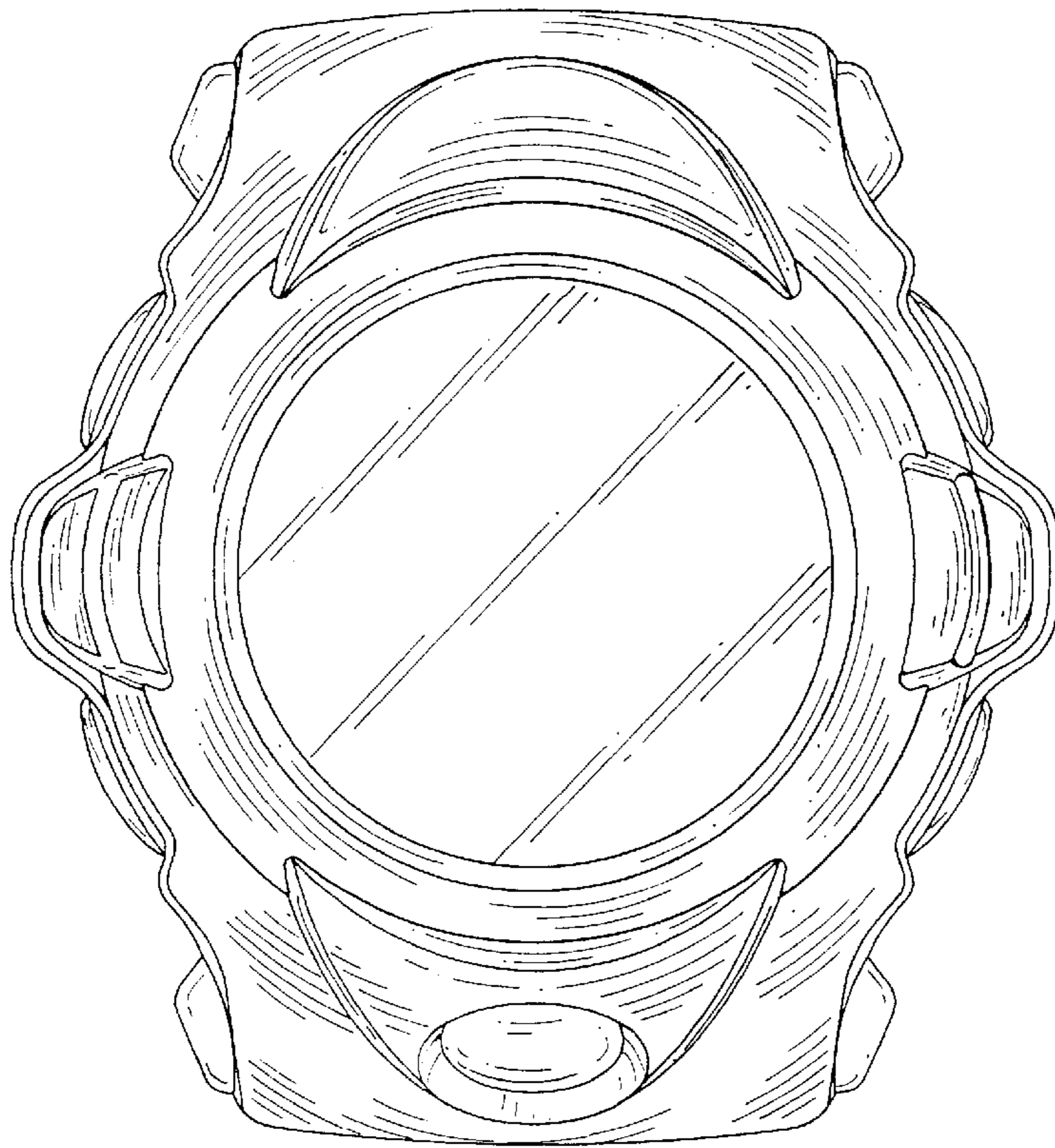


FIG.5

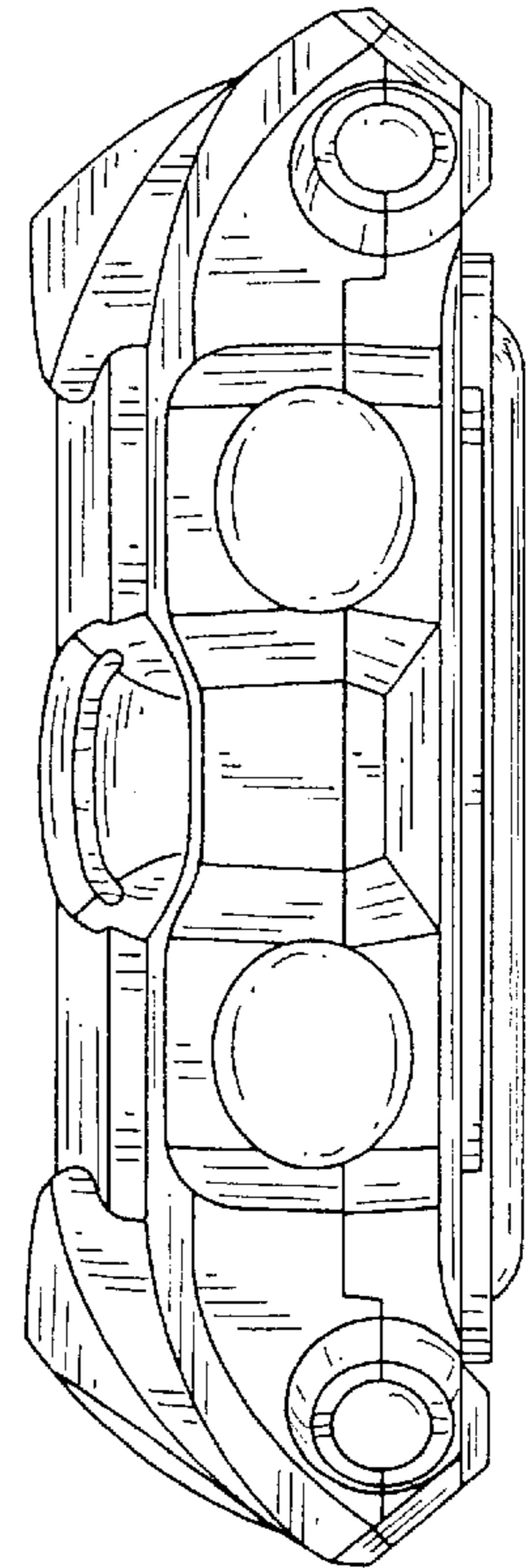


FIG.3

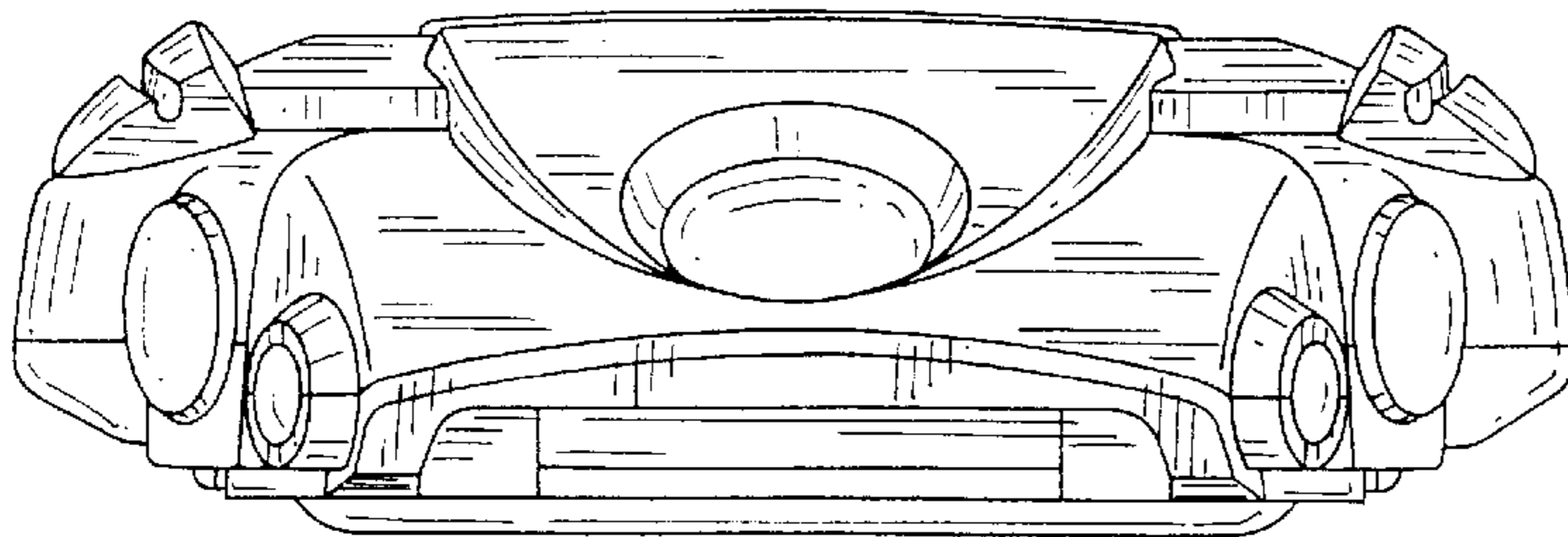


FIG.4

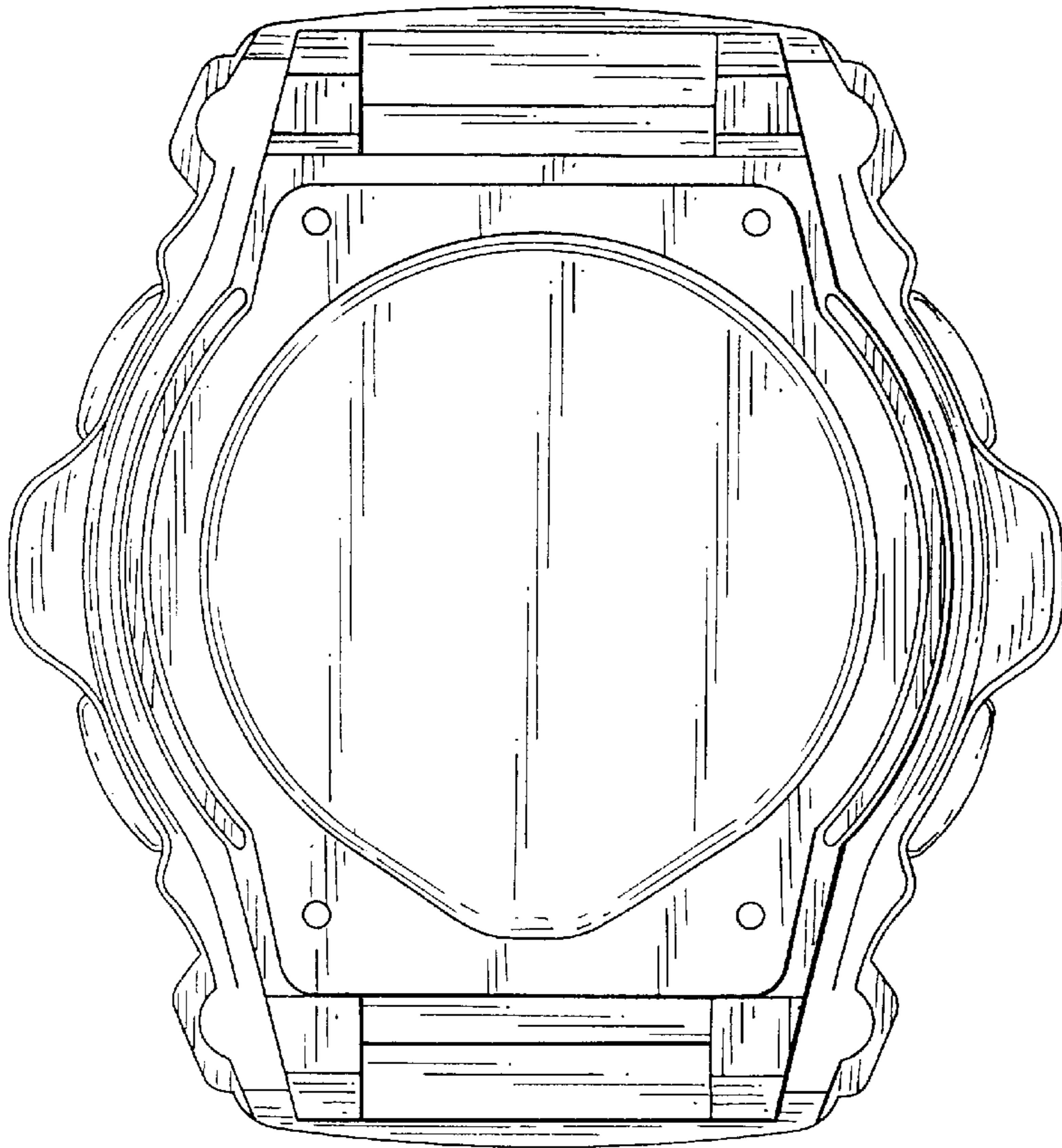


FIG.6

