



US00D407325S

United States Patent [19] Waring

[11] Patent Number: **Des. 407,325**

[45] Date of Patent: ****Mar. 30, 1999**

[54] **CLOCK**

[76] Inventor: **John Waring**, 608 Tourelle Drive,
Orleans, Ontario, Canada, K4A 3H5

[**] Term: **14 Years**

[21] Appl. No.: **88,178**

[22] Filed: **May 18, 1998**

[30] Foreign Application Priority Data

Nov. 19, 1997 [CA] Canada 1997-2947

[51] LOC (6) Cl. **10-01**

[52] U.S. Cl. **D10/21; D10/6; D10/67**

[58] Field of Search D10/1-40, 122-132;
368/276-277, 285, 316-317

[56] References Cited

U.S. PATENT DOCUMENTS

D. 135,916 7/1943 Huenergardt .

- D. 140,794 4/1945 Giannini D10/67
- D. 181,409 11/1957 Dayton D10/67
- D. 192,444 3/1962 McClelan D10/67
- D. 288,412 2/1987 Nunes D10/6
- D. 359,913 7/1995 Wilson D10/21

Primary Examiner—Nelson C. Holtje
Attorney, Agent, or Firm—Marks & Clerk

[57] CLAIM

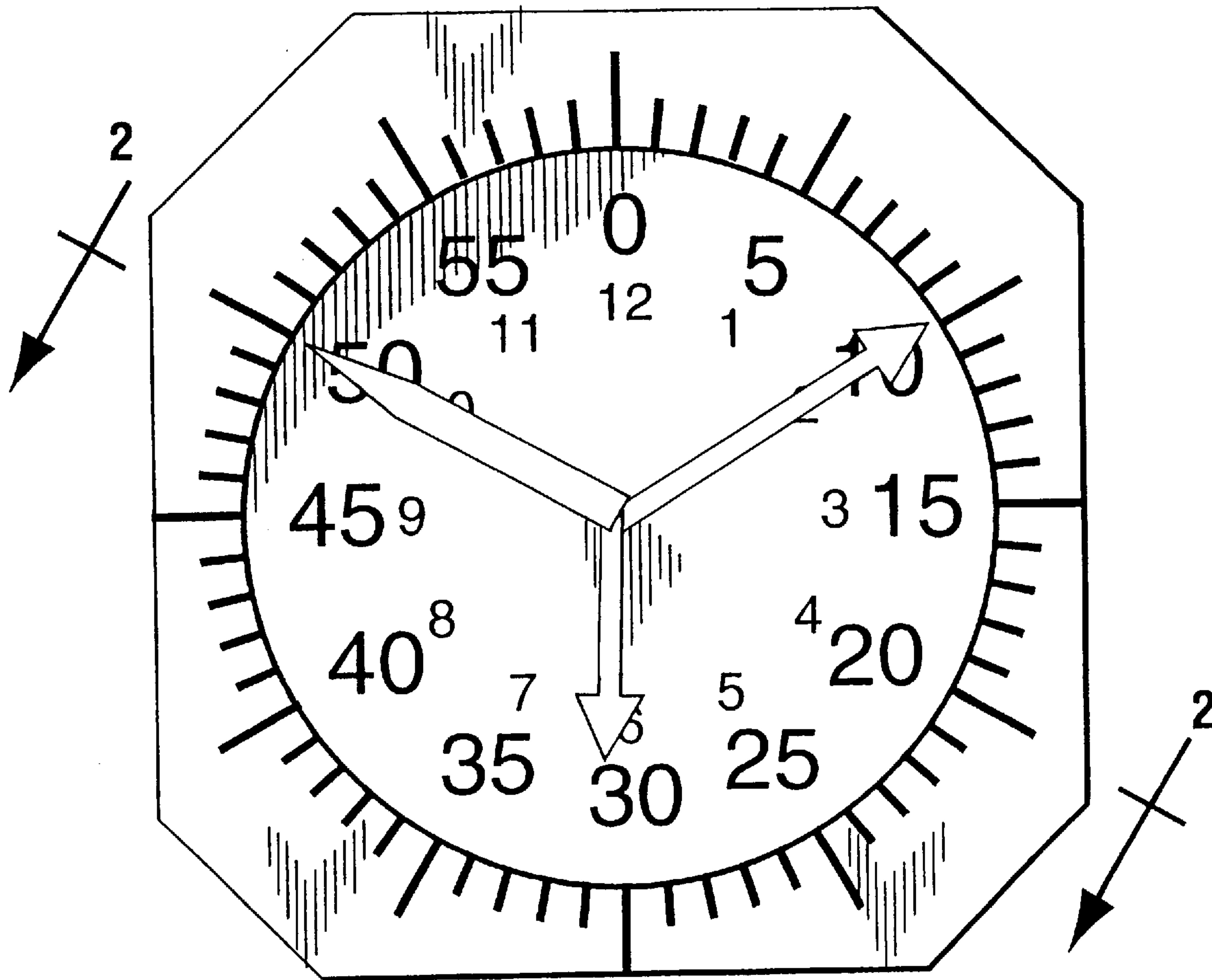
The ornamental design for a clock, as shown and described.

DESCRIPTION

FIG. 1 is a front elevation of the clock;
FIG. 2 is a sectional view along the line 2—2 in FIG. 1; and,
FIG. 3 is a side elevation.

The rear is plain.

1 Claim, 1 Drawing Sheet



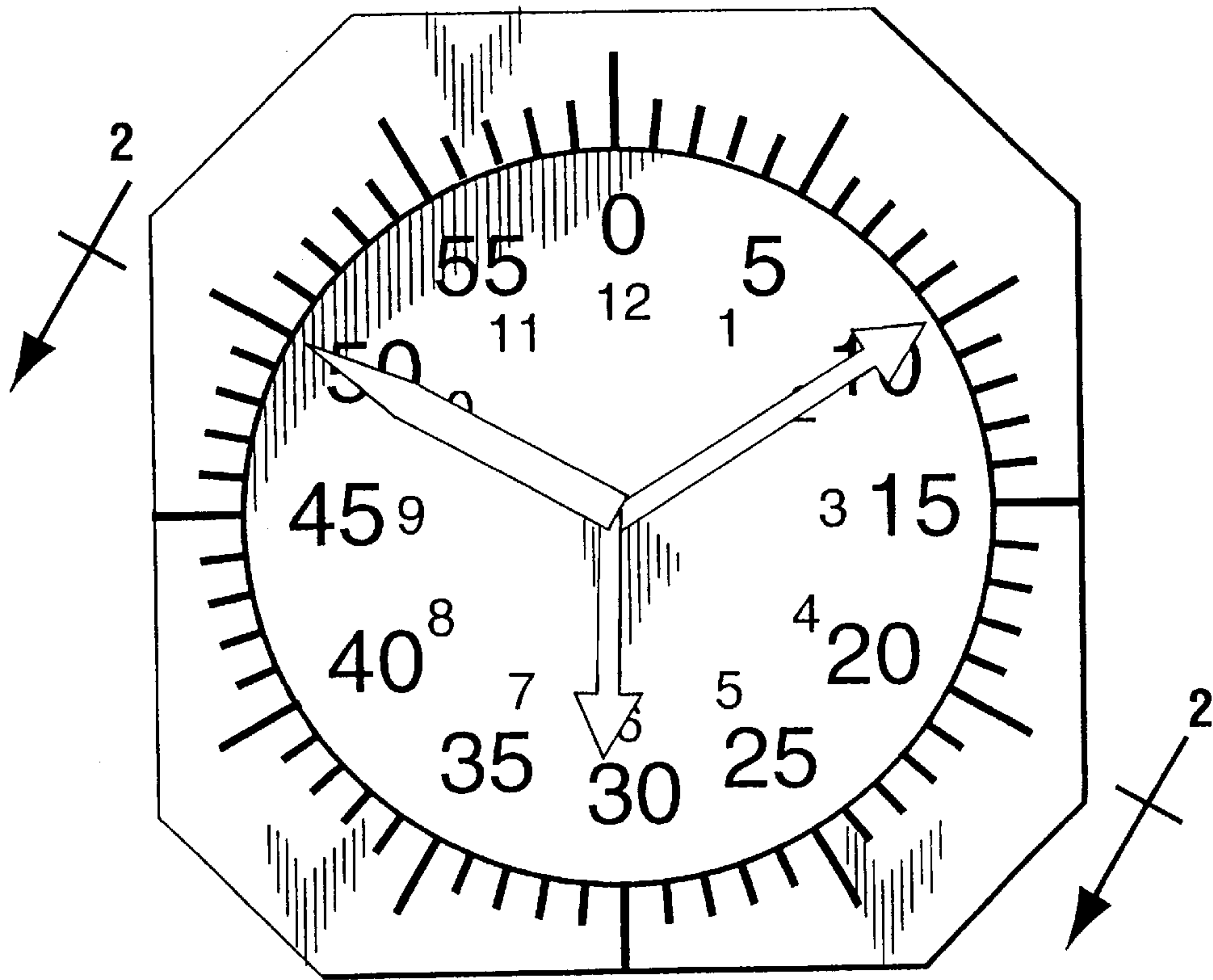


FIG. 1

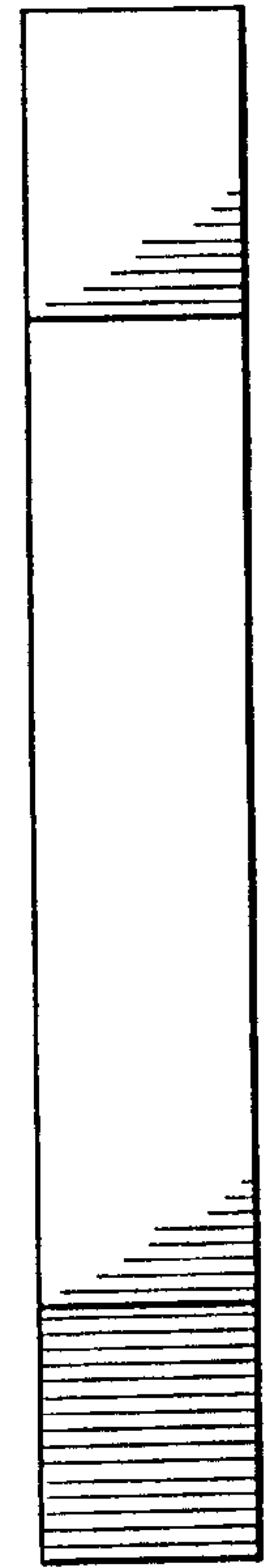


FIG. 3

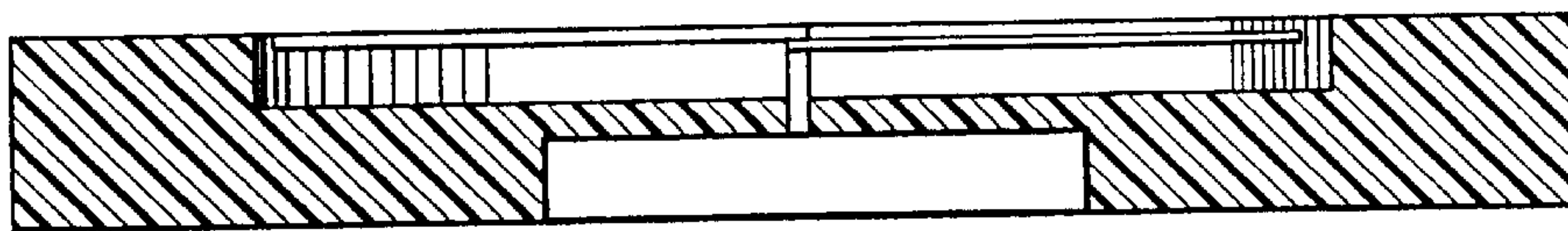


FIG. 2