



US00D407322S

# United States Patent [19] Kuo

[11] **Patent Number: Des. 407,322**

[45] **Date of Patent: \*\*Mar. 30, 1999**

[54] **ALARM CLOCK**

D. 349,244 8/1994 Hersch ..... D10/33  
D. 361,517 8/1995 Petuzzi ..... D10/6  
D. 365,523 12/1995 Schena ..... D10/6

[76] Inventor: **Chu-Rong Kuo**, 12F, No. 367, Han Kou Road, Sec. 4, Taichung, Taiwan

[\*\*] Term: **14 Years**

*Primary Examiner*—Nelson C. Holtje  
*Attorney, Agent, or Firm*—Browdy and Neimark

[21] Appl. No.: **89,552**

### [57] CLAIM

[22] Filed: **Jun. 17, 1998**

The ornamental design for a “alarm clock”, as shown and described.

[51] **LOC (6) Cl.** ..... **10-01**

### DESCRIPTION

[52] **U.S. Cl.** ..... **D10/6; D10/8**

[58] **Field of Search** ..... D10/1-40, 122-132;  
368/276-277, 285, 317-318; D21/155,  
178

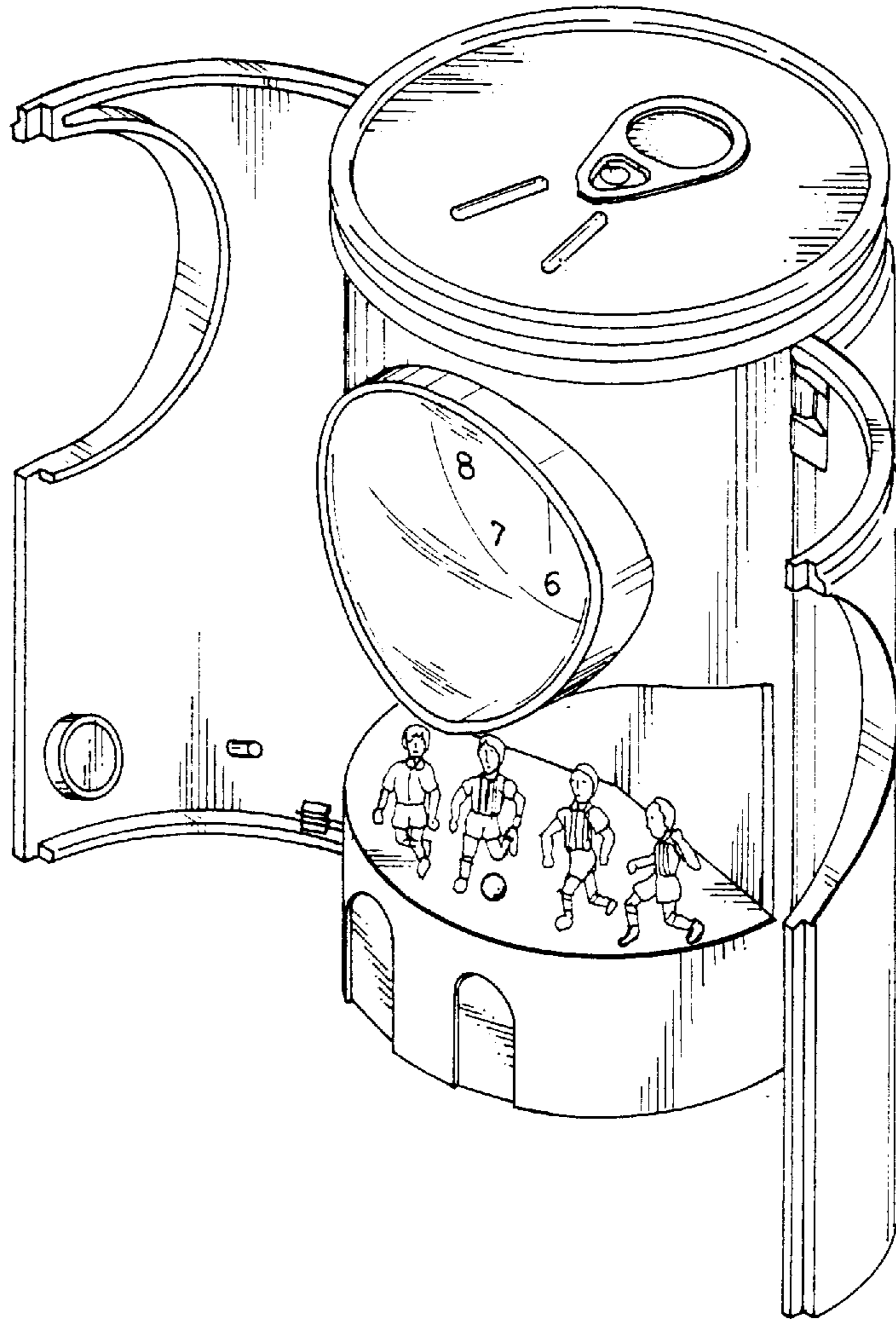
FIG. 1 shows a perspective view of the present design; FIG. 2 shows a front elevational view of the present design; FIG. 3 shows a rear elevational view of the present design; FIG. 4 shows a left elevational view of the present design; FIG. 5 shows a right elevational view of the present design; FIG. 6 shows a top plan view of the present design; and, FIG. 7 shows a bottom plan view of the present design.

### [56] References Cited

#### U.S. PATENT DOCUMENTS

D. 181,966 1/1958 Bschr ..... D10/8  
D. 210,742 4/1968 Appel ..... D10/8  
D. 325,172 4/1992 Nomura ..... D10/24

**1 Claim, 4 Drawing Sheets**



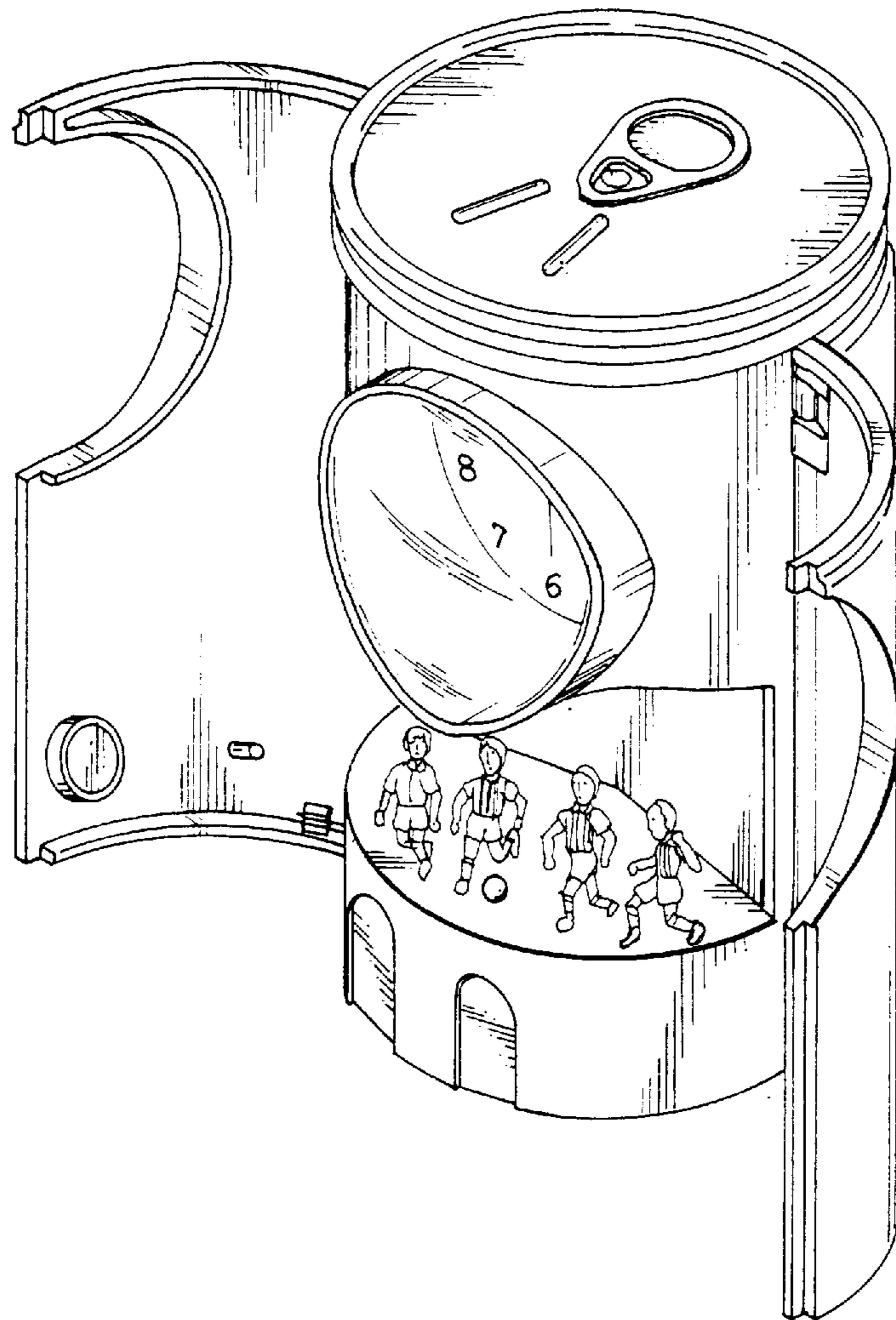


FIG. 1

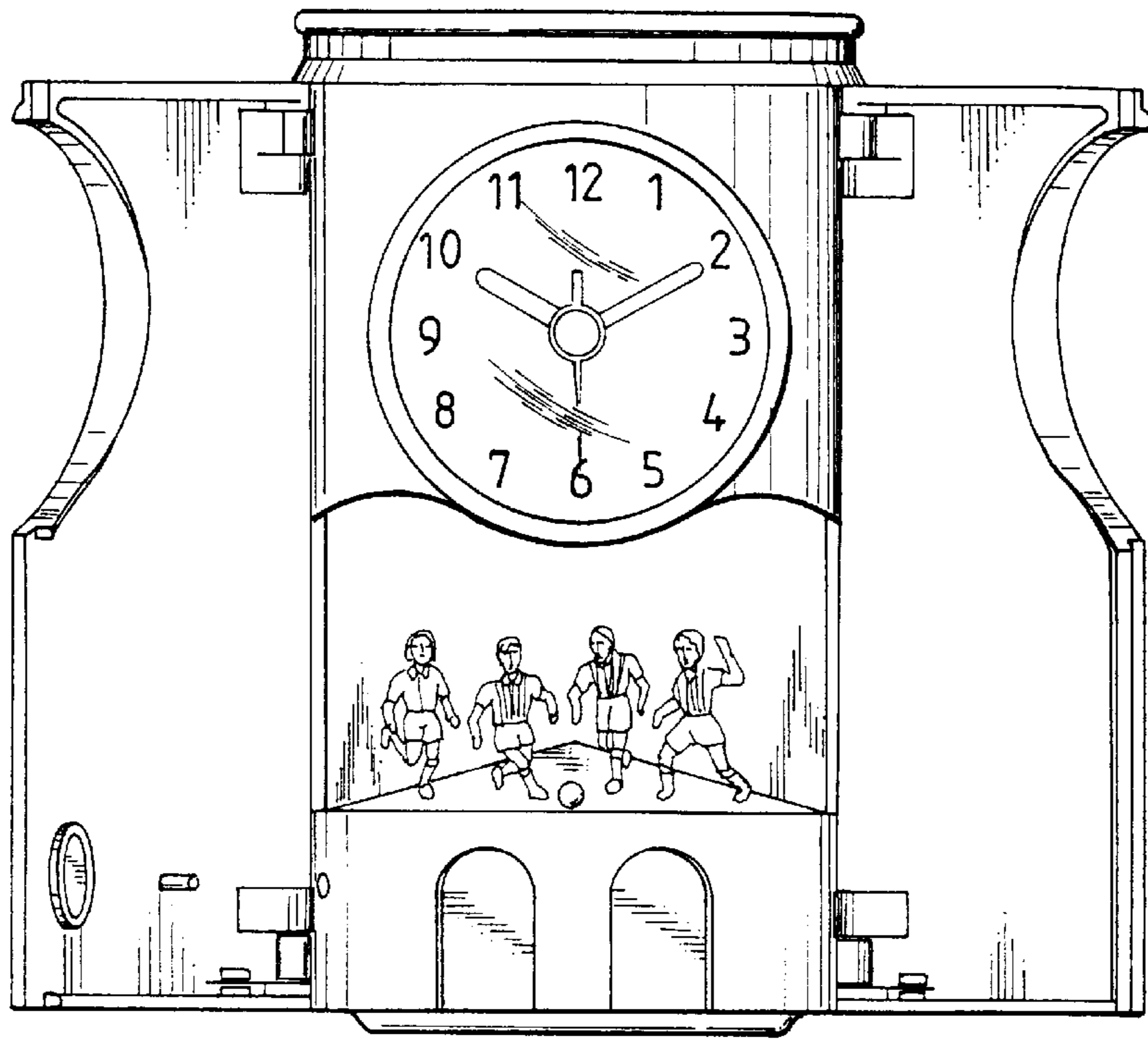


FIG. 2

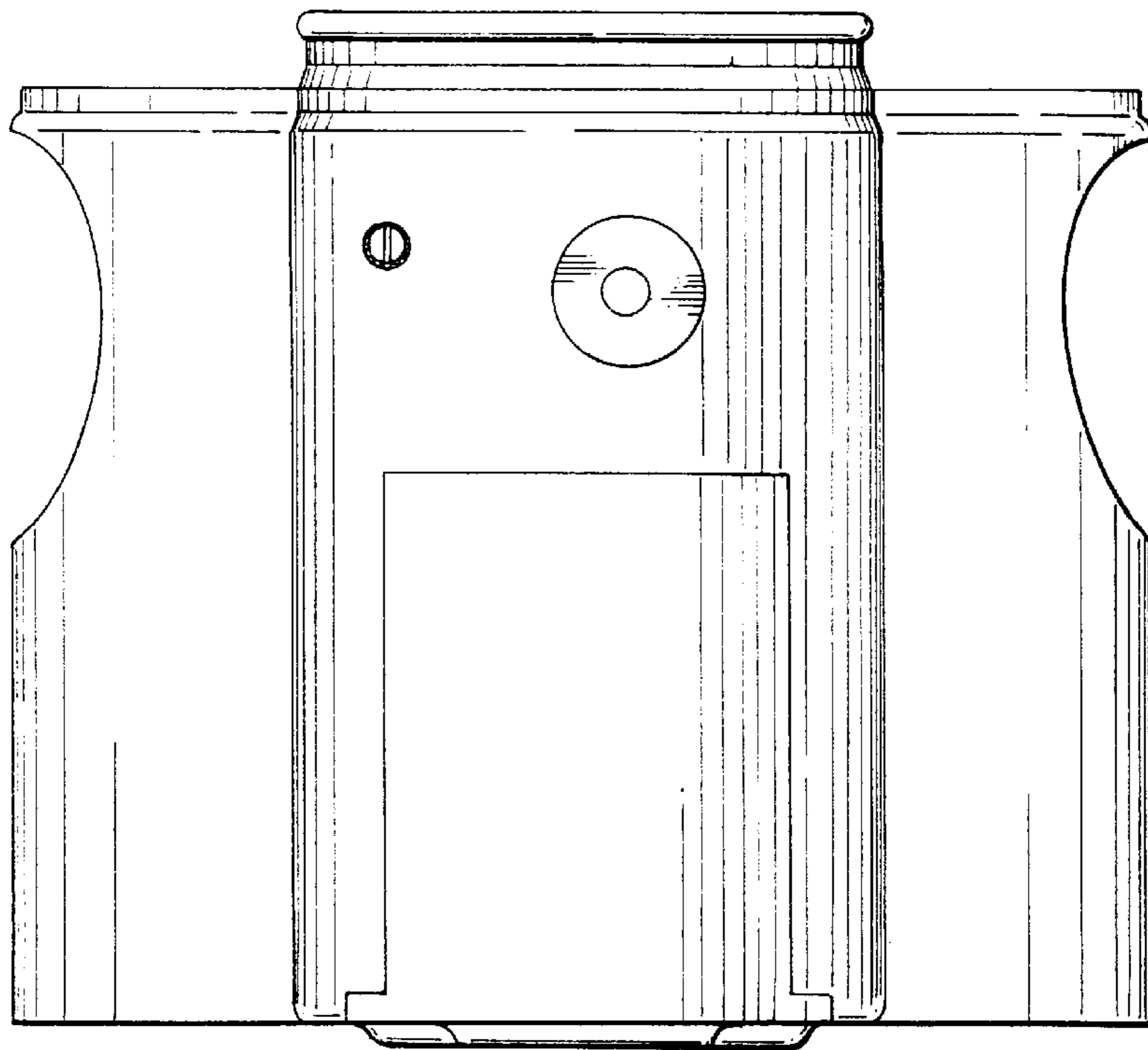


FIG. 3

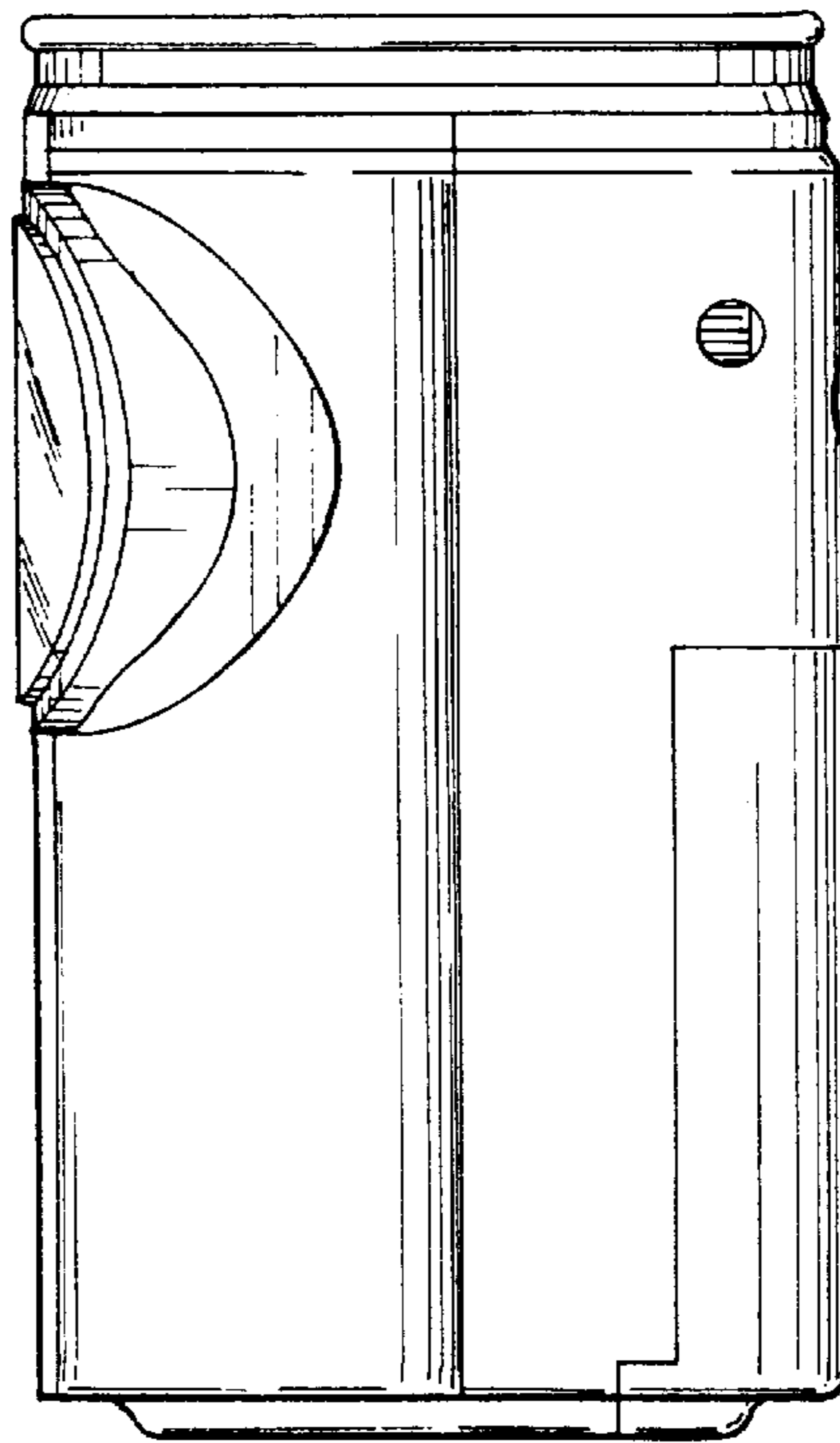


FIG. 4

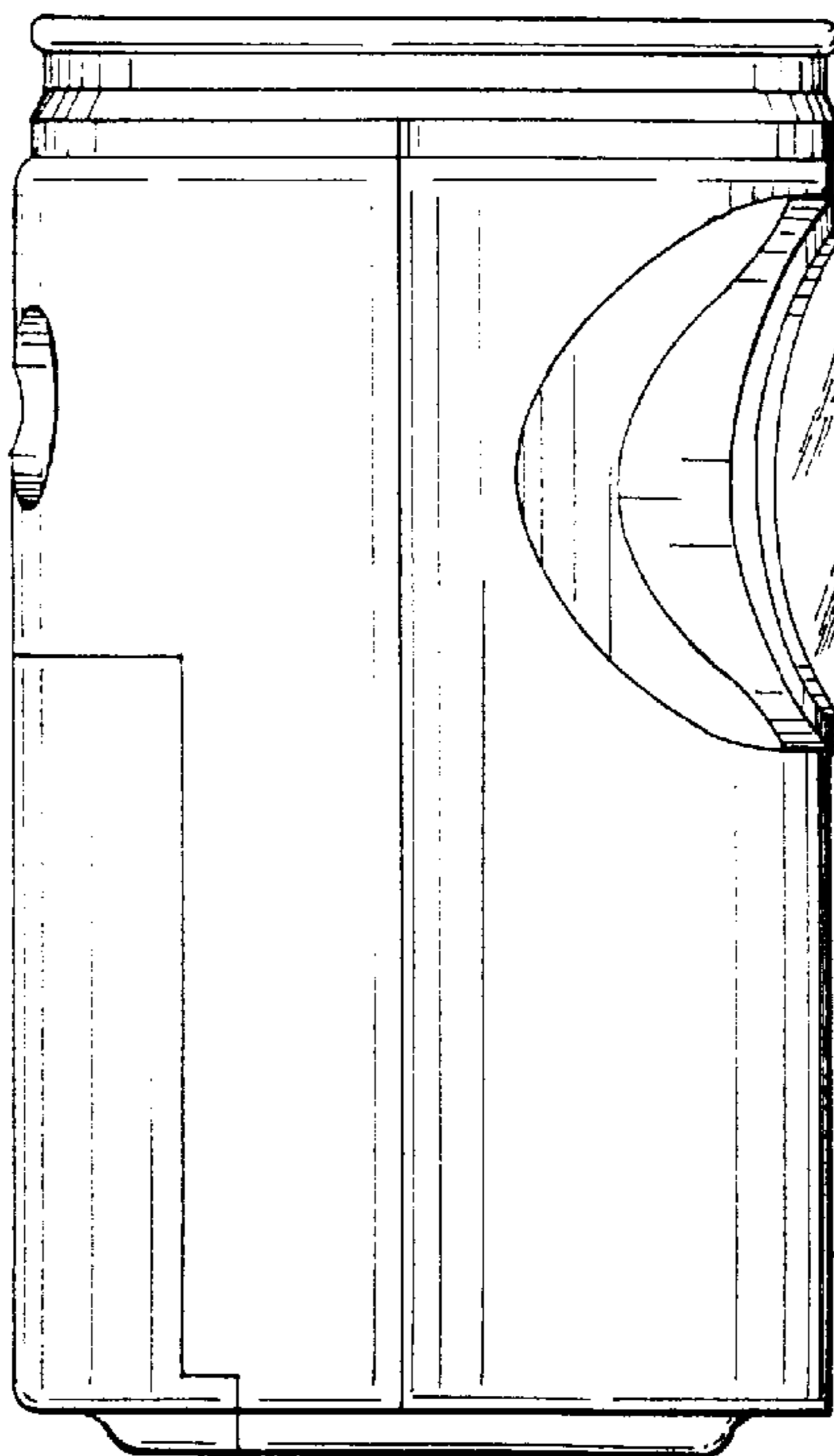


FIG. 5

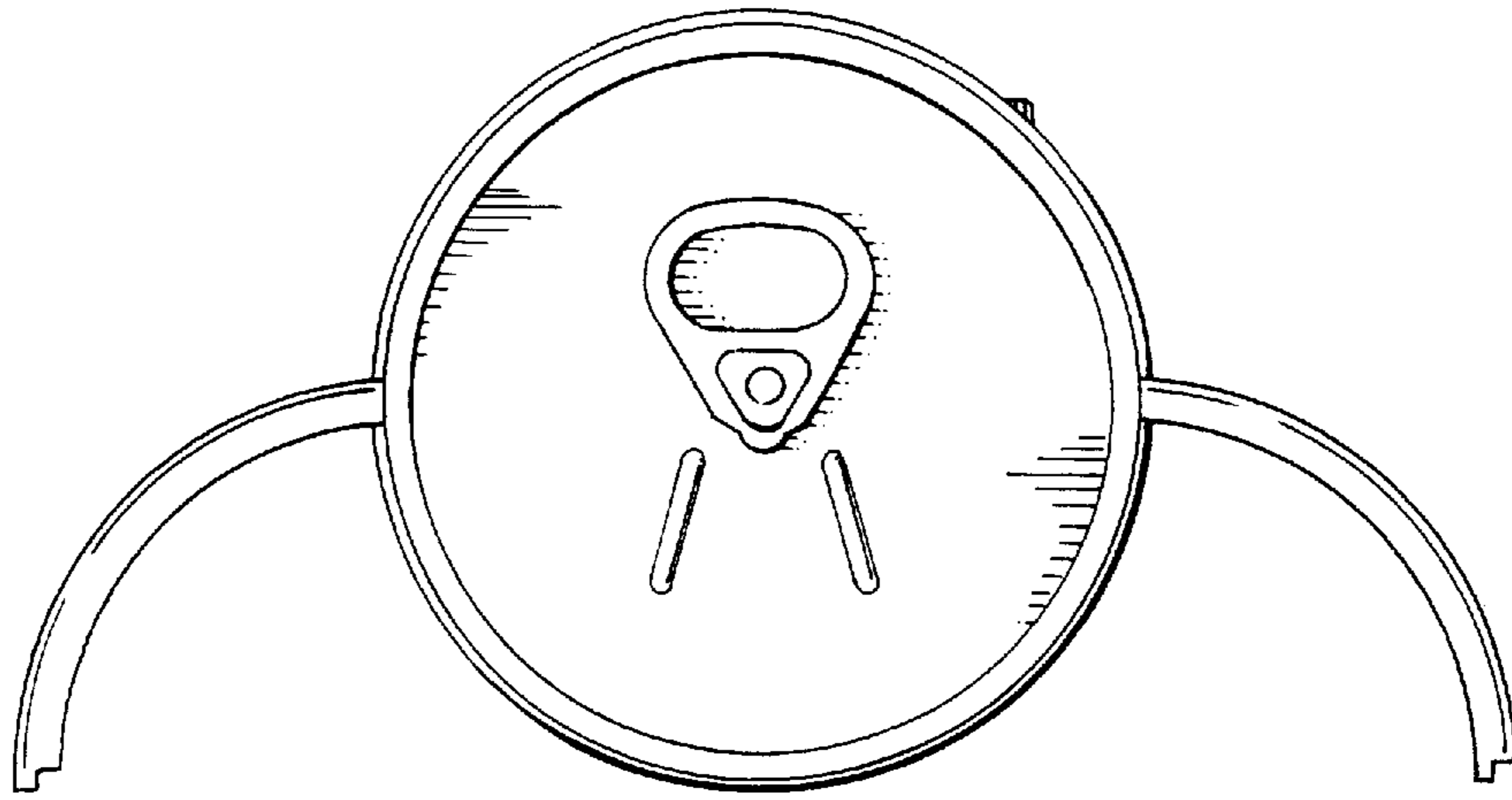


FIG. 6

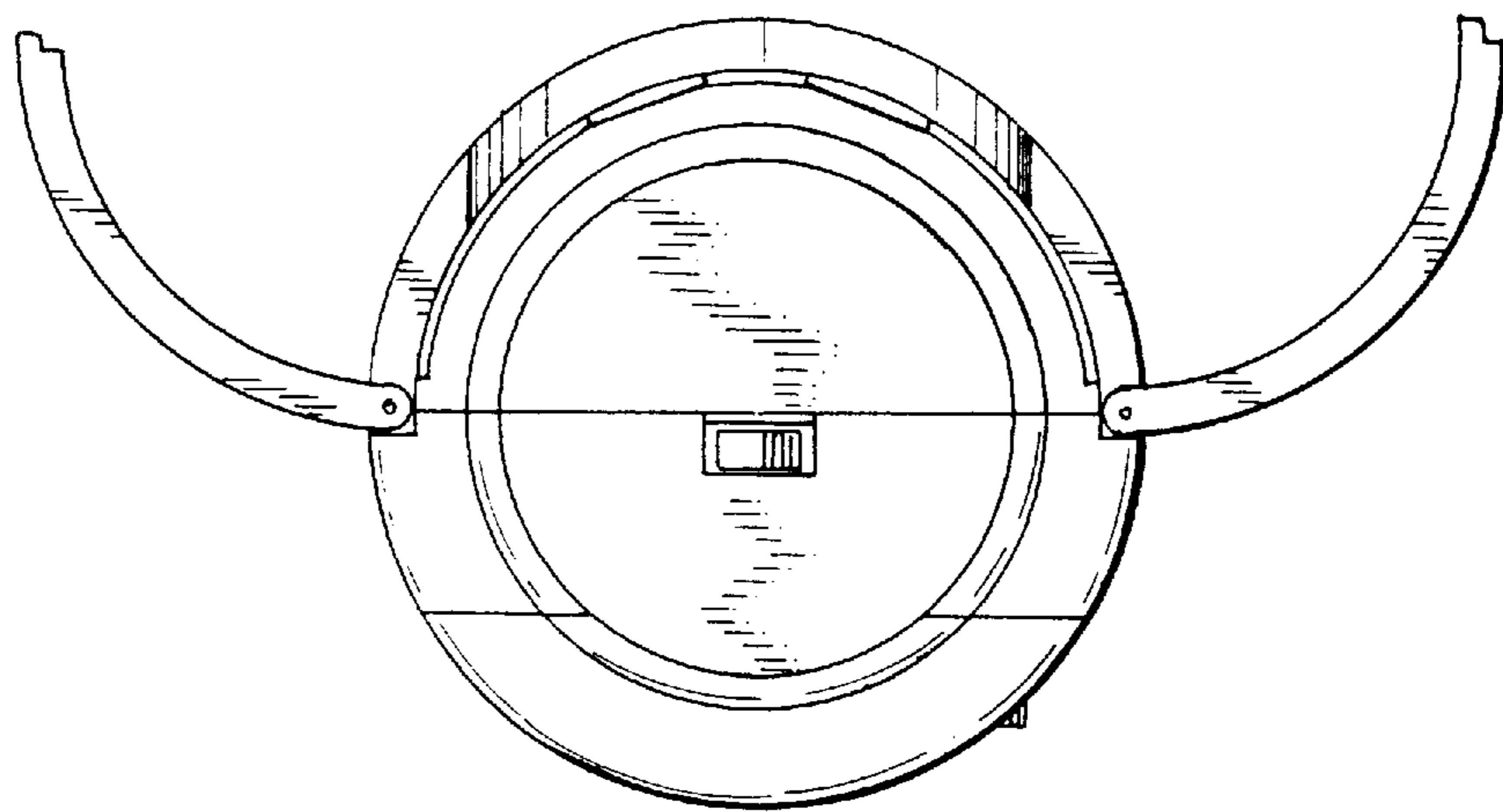


FIG. 7