



US00D407311S

United States Patent [19] DuCorday

[11] **Patent Number: Des. 407,311**

[45] **Date of Patent: **Mar. 30, 1999**

[54] **BAG CLOSURE WITH BRIEF HANDLE**

[76] Inventor: **Gerard Marquis DuCorday**, 10871
Thorley Rd., Santa Ana, Calif. 92705

[**] Term: **14 Years**

[21] Appl. No.: **82,329**

[22] Filed: **Jan. 20, 1998**

[51] **LOC (6) Cl. 09-07**

[52] **U.S. Cl. D9/443; D9/434**

[58] **Field of Search D9/434, 443; D3/323,
D3/324; D8/320; 383/12, 13, 16, 22, 23,
24, 78, 81, 92; D6/315, 317, 318, 319,
326**

[56] **References Cited**

U.S. PATENT DOCUMENTS

D. 217,712	6/1970	Kamins et al.	D8/320 X
D. 255,332	6/1980	DuCorday .	
3,282,493	11/1966	Kamins et al. .	
3,310,224	3/1967	LaGuerre .	
3,344,977	10/1967	Kamins et al. .	
3,452,922	7/1969	Hart .	
3,558,038	1/1971	Gelles et al.	383/16 X
4,387,846	6/1983	DuCorday .	

Primary Examiner—James Gandy
Assistant Examiner—Cathron B. Matta
Attorney, Agent, or Firm—Gene Scott-Patent Law & Venture Group

[57] **CLAIM**

The ornamental design for a “bag closure with brief handle”, as shown and described.

DESCRIPTION

FIG. 1 is a perspective view of a bag closure with brief handle, showing my new design from above and in an open state;

FIG. 2 is a perspective view thereof, showing my new design from below and in an open state;

FIG. 3 is a perspective view thereof, showing my new design from above and in a closed state;

FIG. 4 is a top plan view of FIG. 3;

FIG. 5 is a left side elevational view of FIG. 3;

FIG. 6 is a front elevational view of FIG. 3;

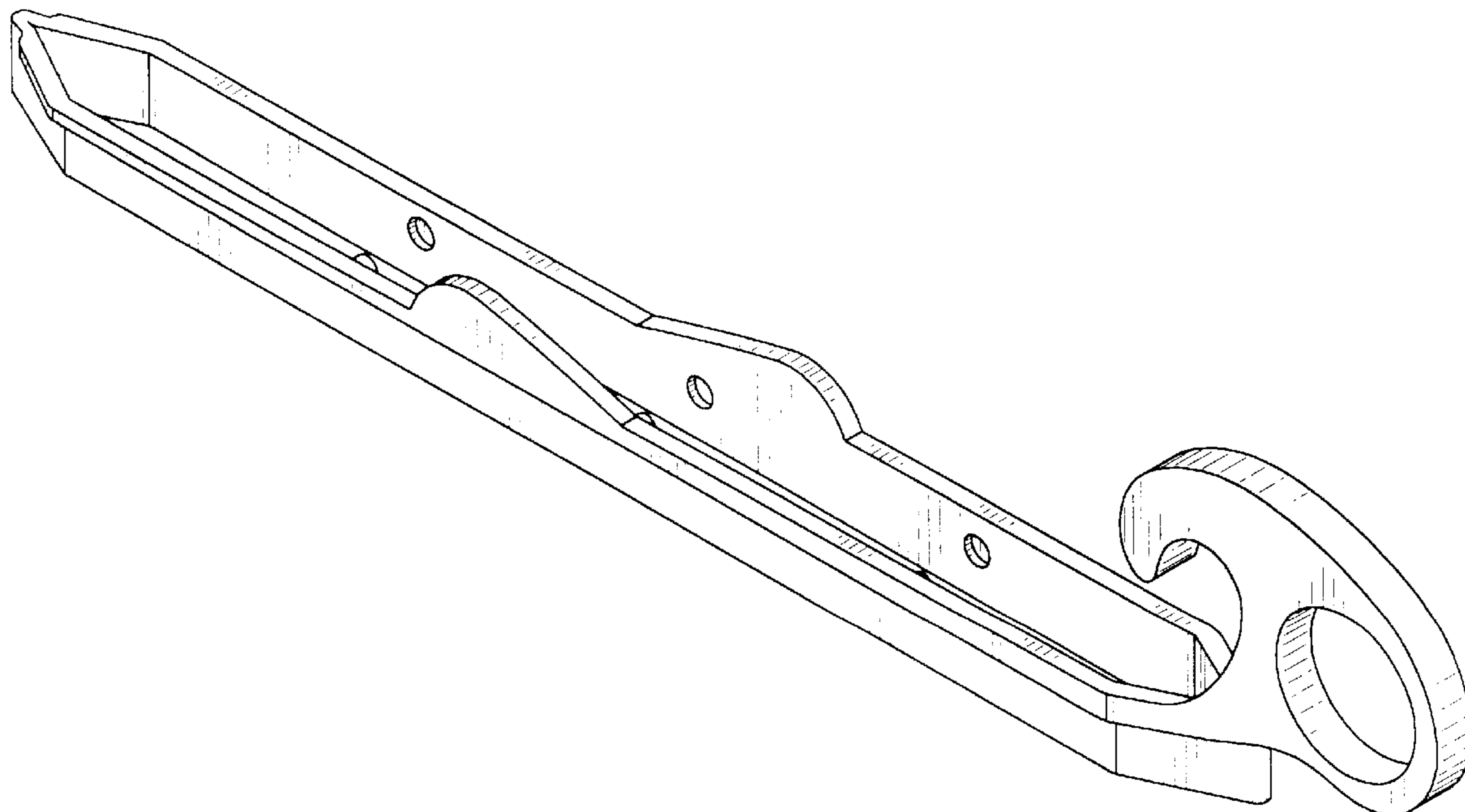
FIG. 7 is a right side elevational view of FIG. 3;

FIG. 8 is a bottom plan view of FIG. 3; and,

FIG. 9 is a rear elevational view thereof.

The broken line environmental structure is for illustrative purposes only and forms no part of the claimed design.

1 Claim, 3 Drawing Sheets



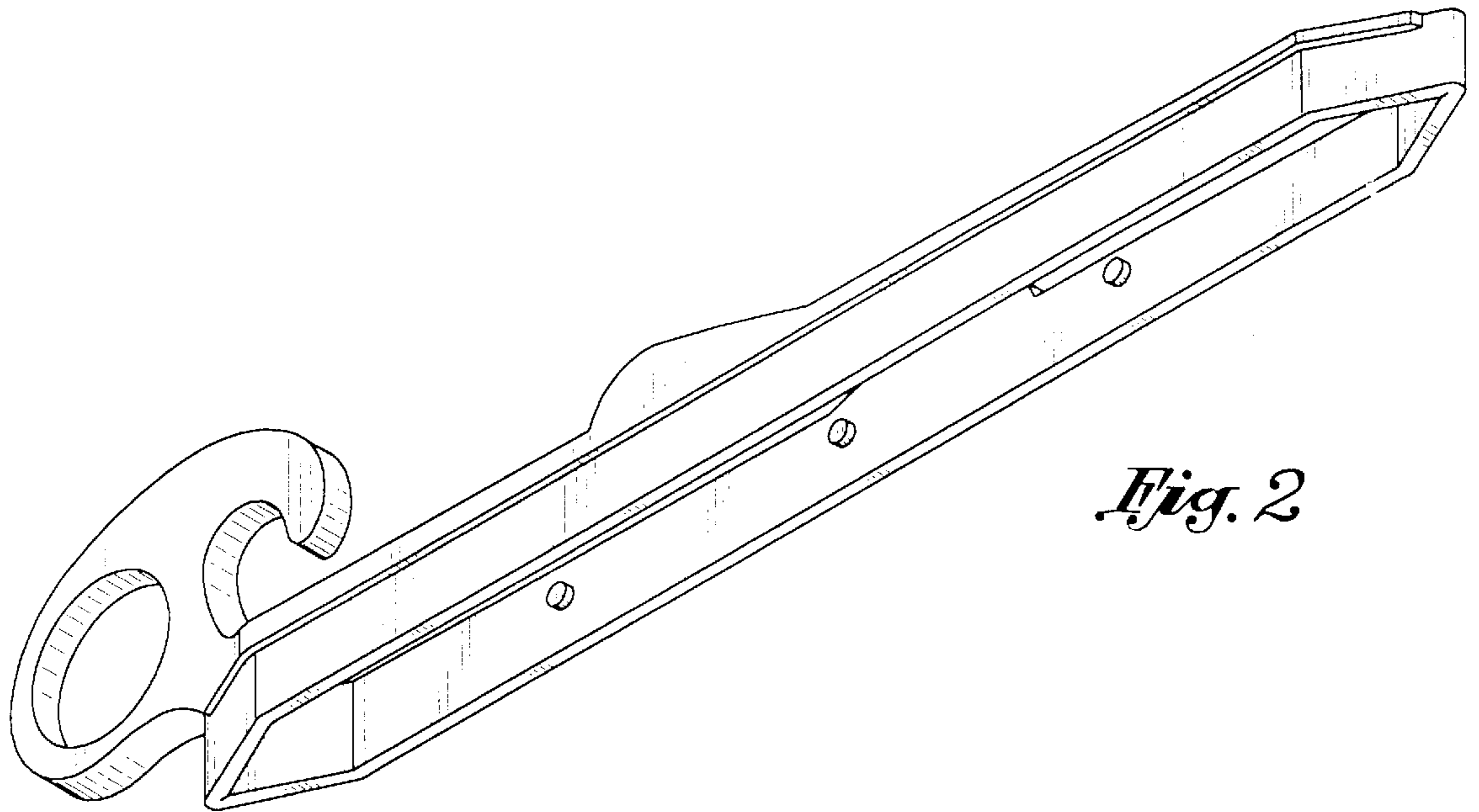


Fig. 2

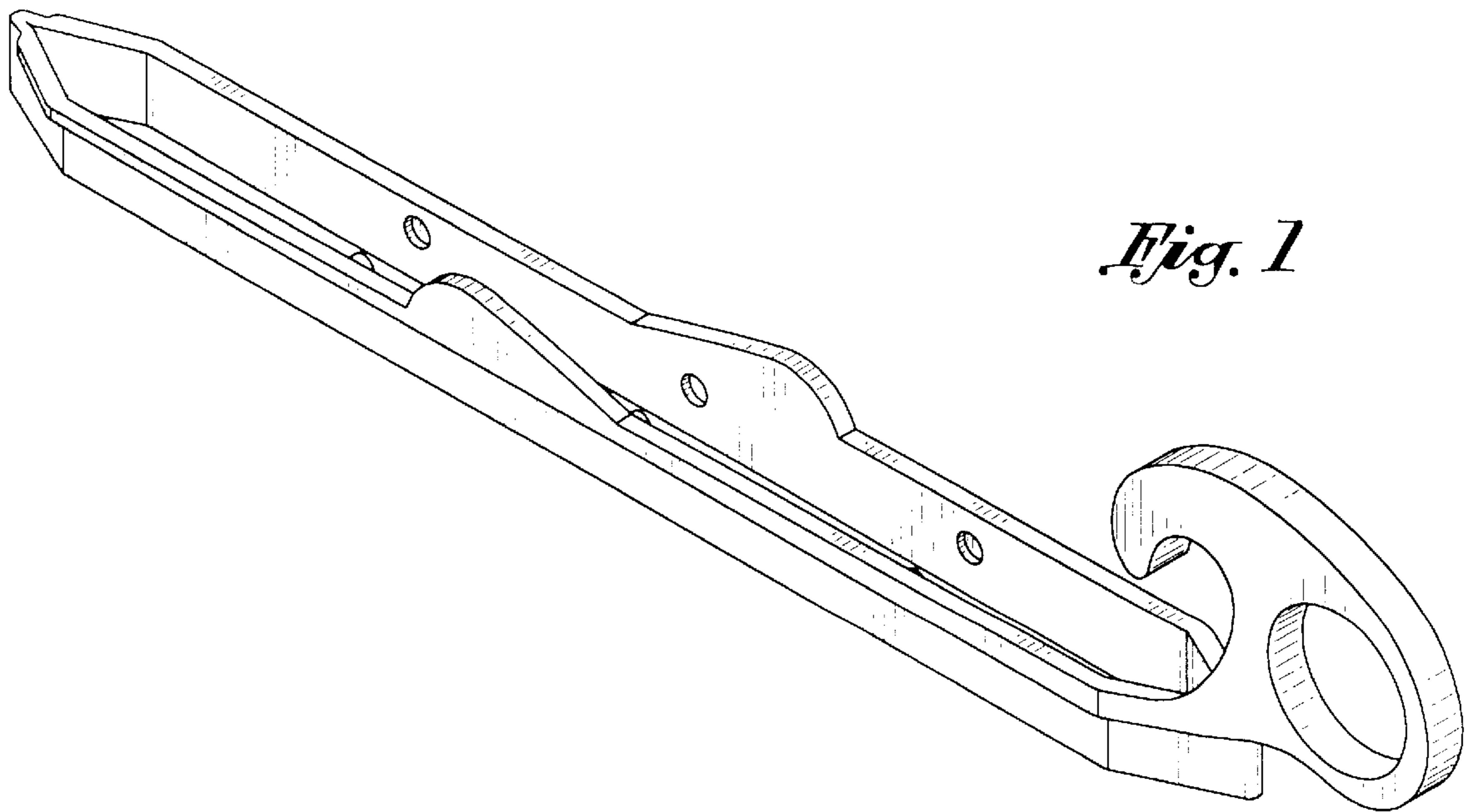


Fig. 1

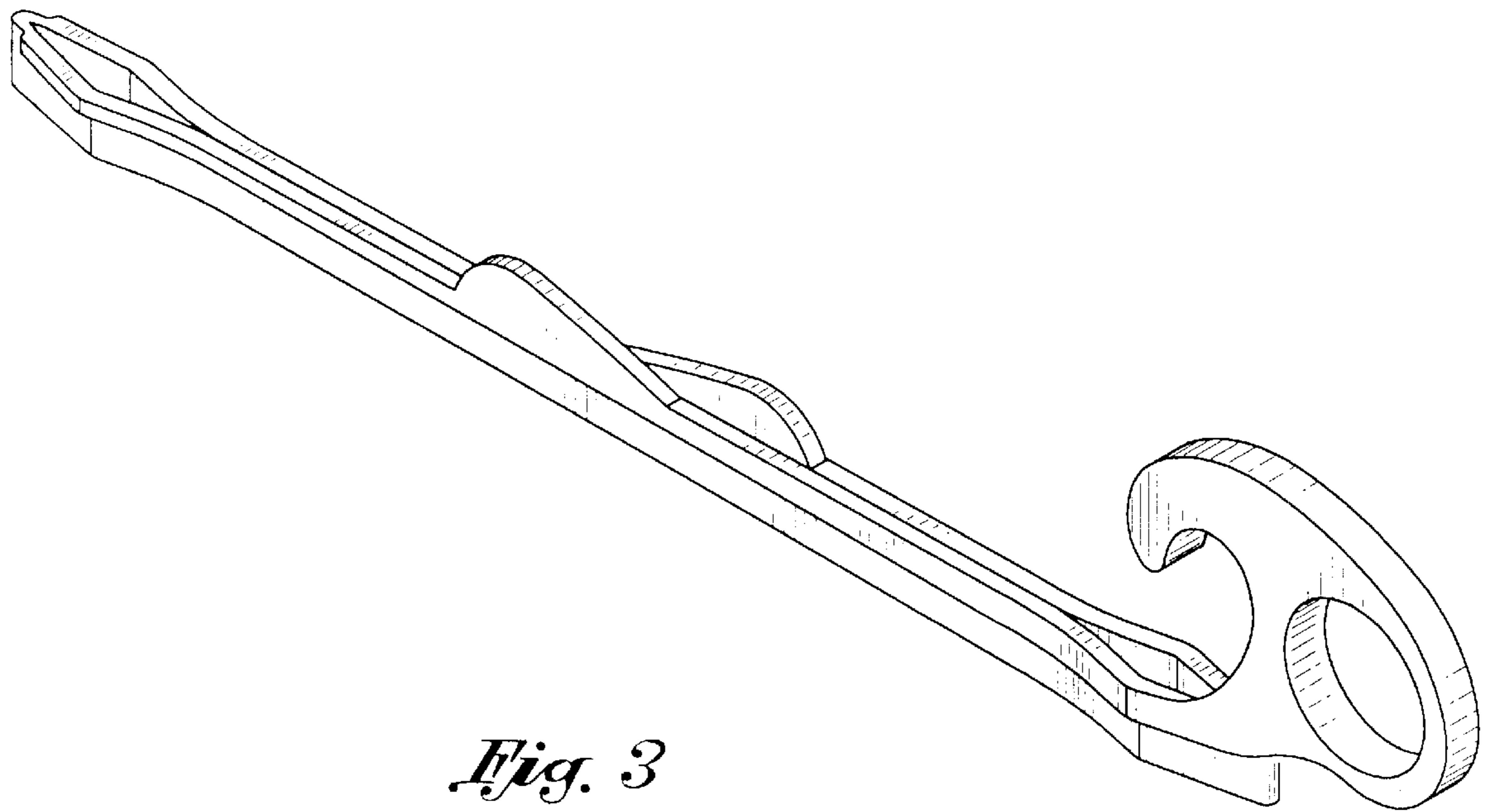


Fig. 3

Fig. 4

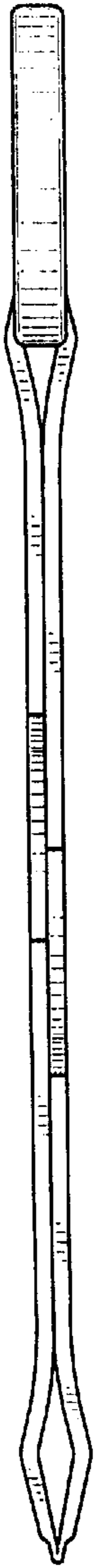


Fig. 5



Fig. 7



Fig. 6

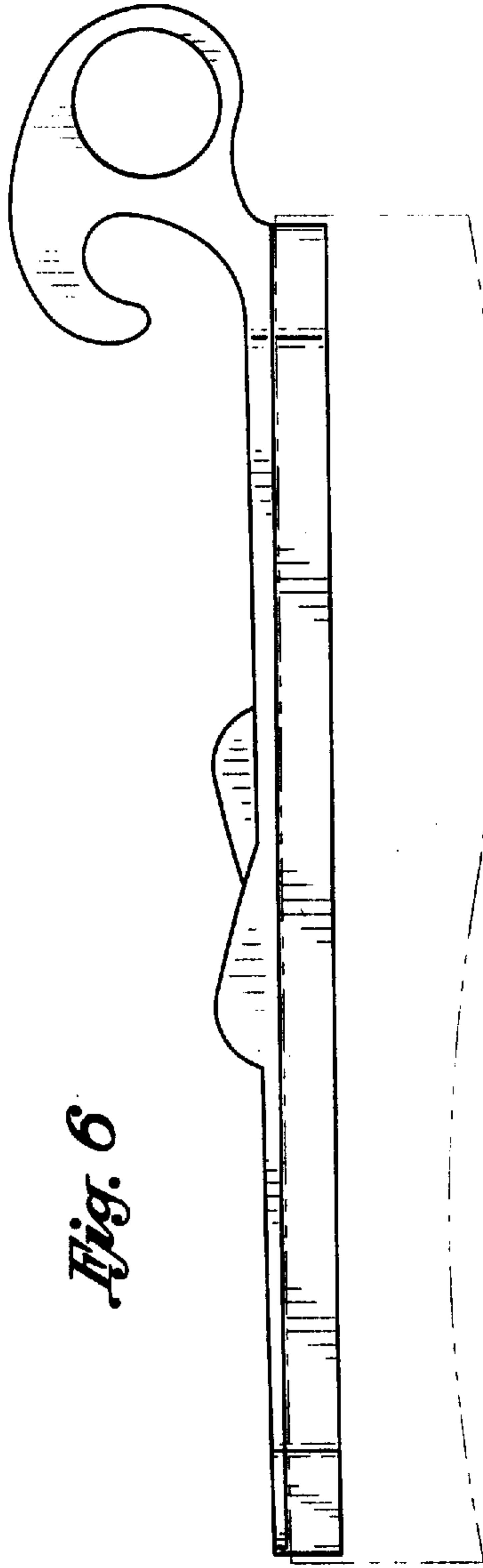


Fig. 8



Fig. 9

