



US00D407308S

United States Patent [19]
Driscoll

[11] **Patent Number: Des. 407,308**

[45] **Date of Patent: **Mar. 30, 1999**

[54] **PACKAGE**

D. 248,147 6/1978 Rauch et al. D9/345
2,633,657 4/1953 Warren, Jr. 229/116.1 X
2,833,074 5/1958 Janes 229/116.1 X

[75] Inventor: **David Driscoll**, Marlow, United Kingdom

[73] Assignee: **Thomas & Betts Corporation**, Memphis, Tenn.

[**] Term: **14 Years**

Primary Examiner—Sandra L. Morris
Assistant Examiner—Nanda Bondade
Attorney, Agent, or Firm—Michael L. Hoelter; Salvatore J. Abbruzzese

[21] Appl. No.: **51,650**

[22] Filed: **Mar. 13, 1996**

[57] **CLAIM**

The ornamental design for a package, as shown and described.

[30] **Foreign Application Priority Data**

Sep. 13, 1995 [GB] United Kingdom 2050363

[51] **LOC (6) Cl.** **09-07**

[52] **U.S. Cl.** **D9/432**

[58] **Field of Search** D9/341, 345, 346,
D9/347, 414, 420, 421, 424, 431-433;
206/526; 229/116.1, 120.09

DESCRIPTION

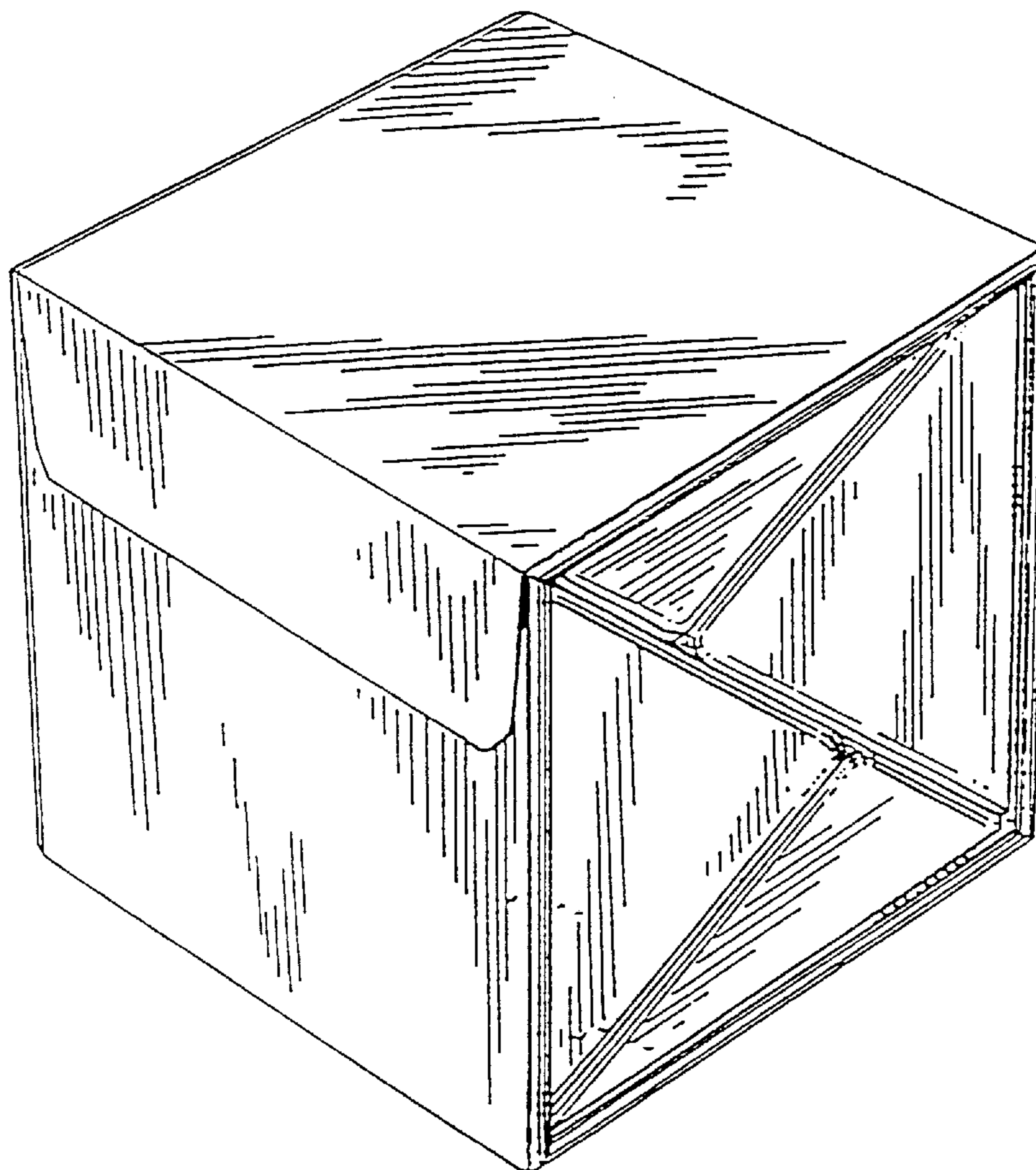
FIG. 1 is a front perspective view from above of the package of the present invention;
FIG. 2 is a rear perspective view from below of the package of FIG. 1;
FIG. 3 is a top perspective view of the package of FIG. 1 shown in an open, flat configuration;
FIG. 4 is a sectional showing of a portion of the package of FIG. 3 taken through the lines X—X thereof; and,
FIG. 5 is an enlarged, fragmentary view of the hinged portion of the package of FIG. 3 shown generally in the direction of view of arrow Y.

[56] **References Cited**

U.S. PATENT DOCUMENTS

D. 83,253 2/1931 Gatesy D9/432 X
D. 209,336 11/1967 Dykes et al. D9/346

1 Claim, 2 Drawing Sheets



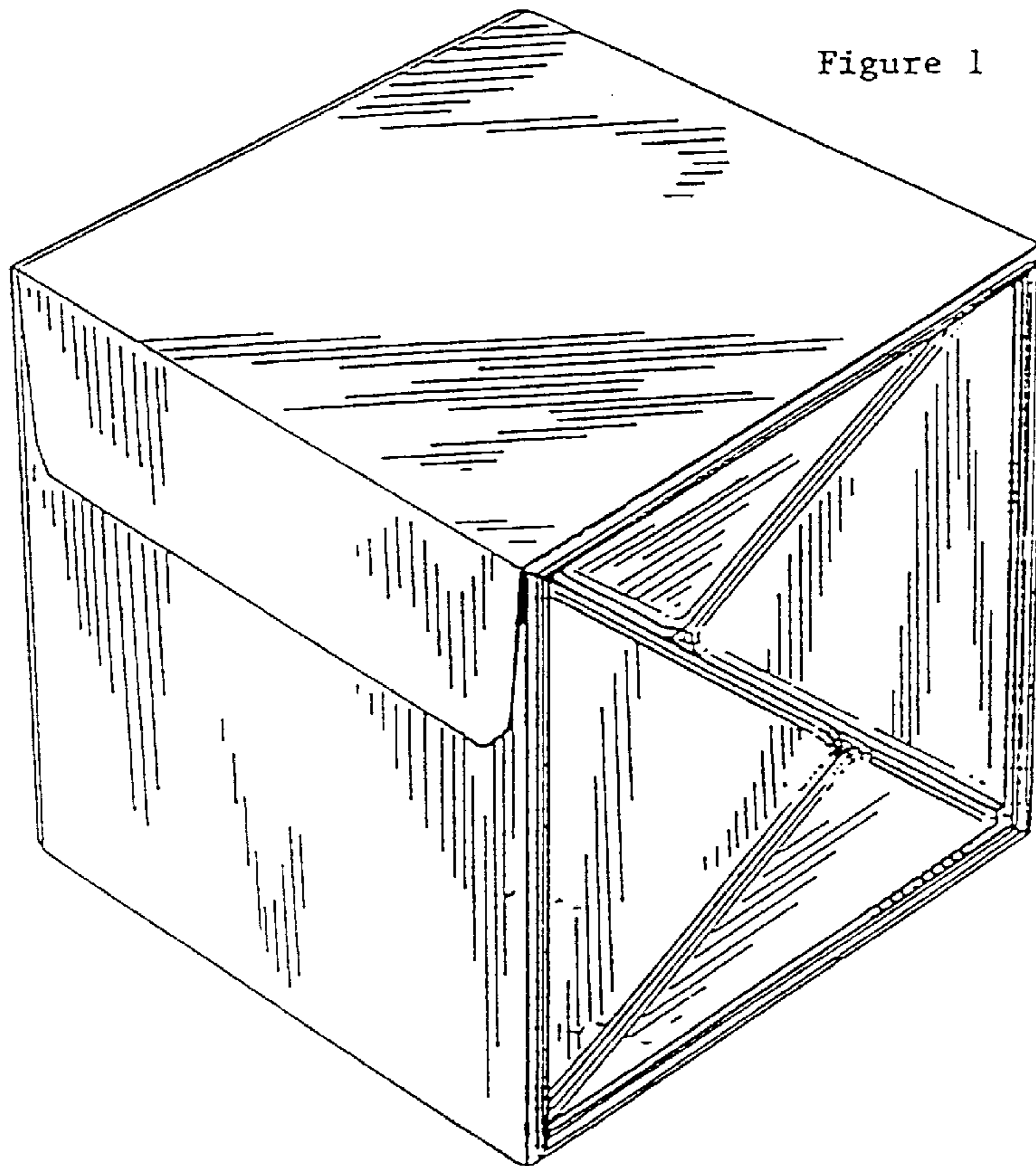


Figure 1

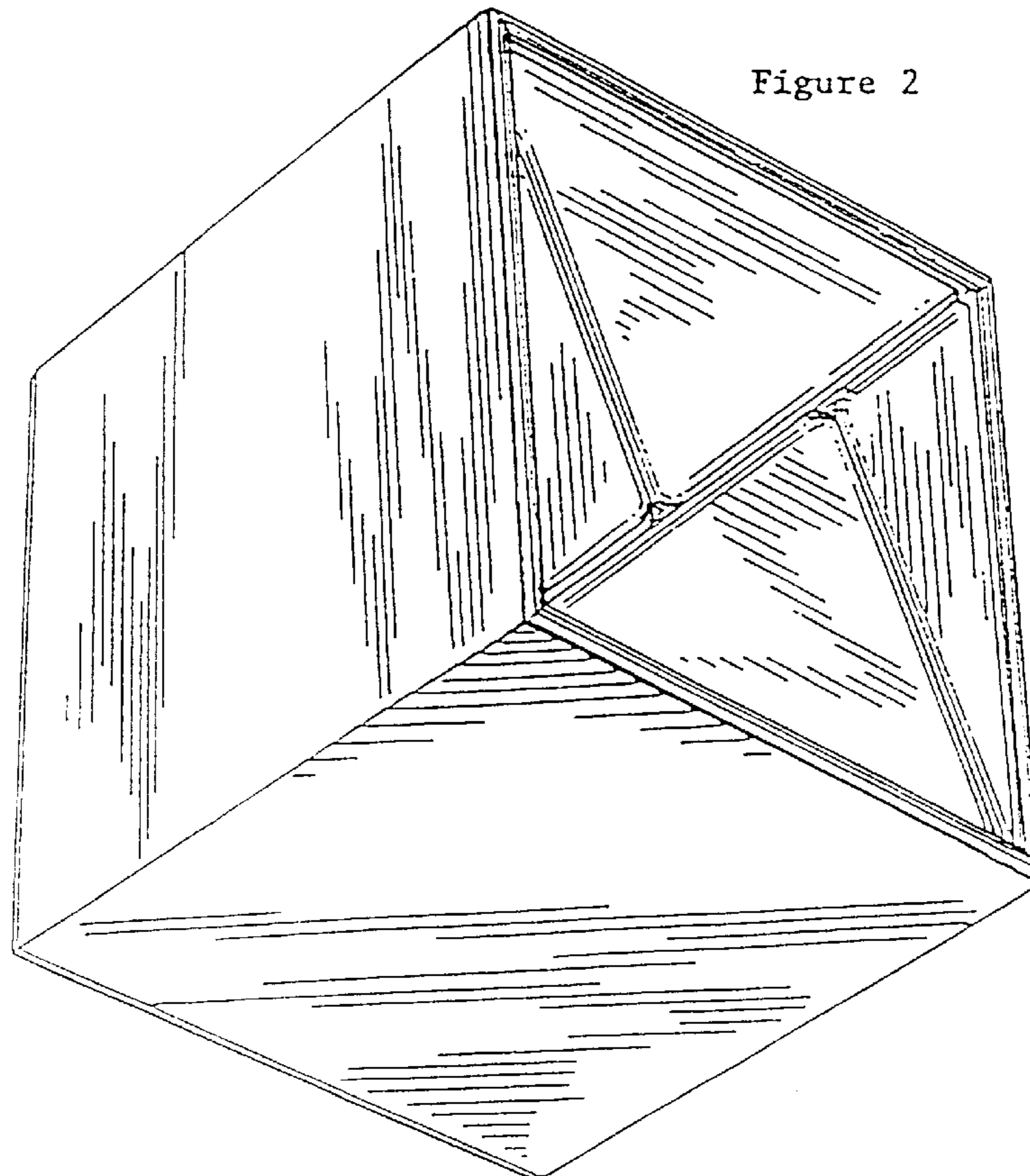


Figure 2

