



US00D407301S

United States Patent [19]

Donalies

[11] **Patent Number: Des. 407,301**

[45] **Date of Patent: **Mar. 30, 1999**

[54] **TOWING CONNECTOR**

[76] Inventor: **Richard W. Donalies**, 1545 Newcastle La., Hoffman Estates, Ill. 60194

[**] Term: **14 Years**

[21] Appl. No.: **61,911**

[22] Filed: **Jan. 11, 1996**

[51] **LOC (6) Cl. 08-08**

[52] **U.S. Cl. D8/382; D34/35**

[58] **Field of Search D8/382, 383, 367; D34/35; D12/106, 162; 280/477; 24/115 R, 130; 114/249, 253; 248/74.1, 74.3**

[56] **References Cited**

U.S. PATENT DOCUMENTS

D. 235,416	6/1975	Fortsch	D8/382
D. 287,459	12/1986	Donalies	D8/383
D. 300,903	5/1989	Donalies	D8/383
3,257,695	6/1966	Frame	D8/383

3,913,187	10/1975	Okuda	248/74.1
4,702,508	10/1987	Weiner et al.	D34/35
5,555,607	9/1996	Parveris	24/130

Primary Examiner—Freda Nunn
Assistant Examiner—Robin V. Taylor
Attorney, Agent, or Firm—Arnold, White & Durkee

[57] **CLAIM**

The ornamental design for a towing connector, as shown and described.

DESCRIPTION

FIG. 1 is a perspective view of a towing connector showing my new design;
FIG. 2 is a side elevation view thereof, the opposite side being a mirror image of that shown;
FIG. 3 is a top plan view thereof;
FIG. 4 is a bottom plan view thereof;
FIG. 5 is a front end elevation view thereof; and,
FIG. 6 is a back end elevation view thereof.

1 Claim, 1 Drawing Sheet

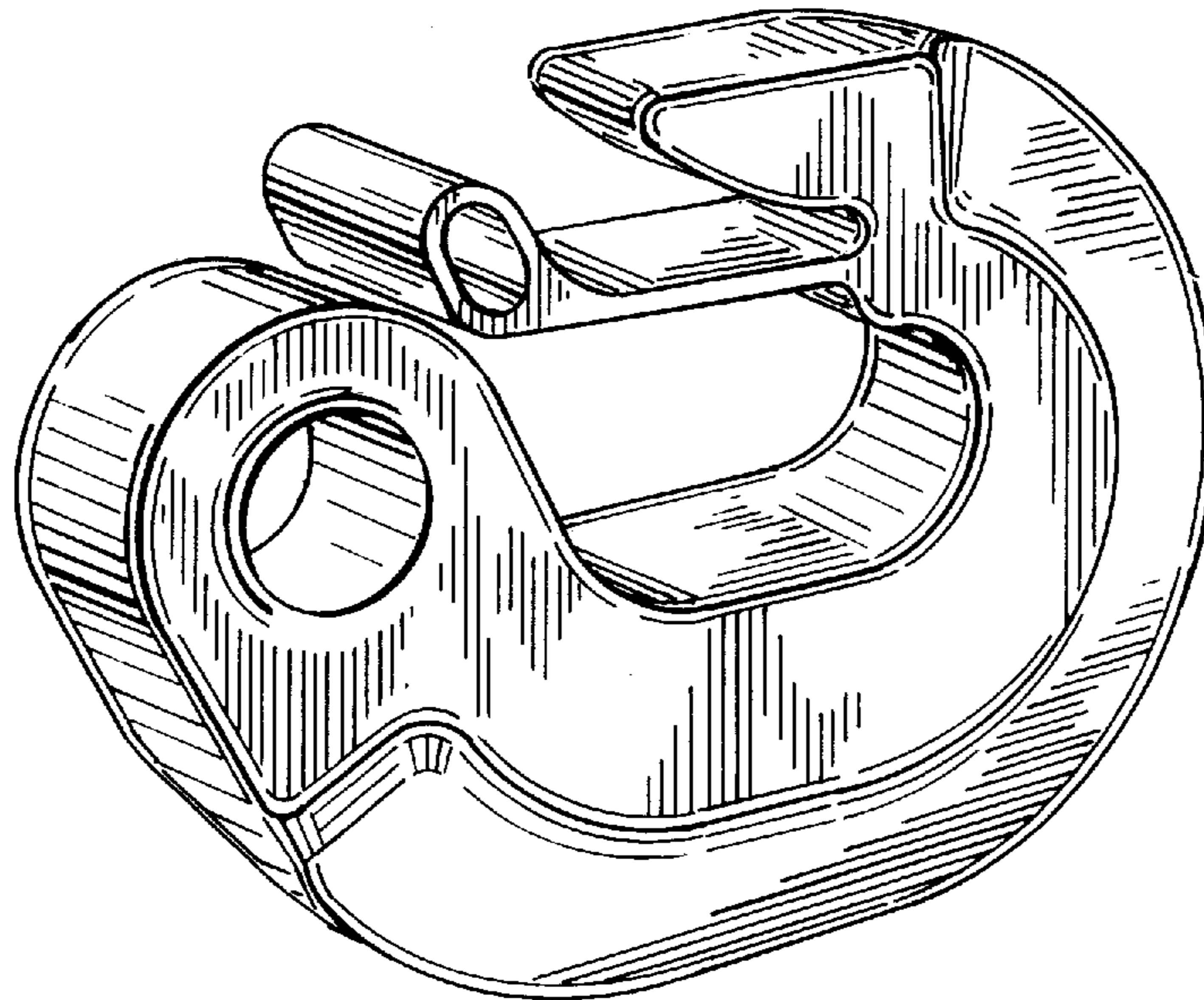


Fig. 1

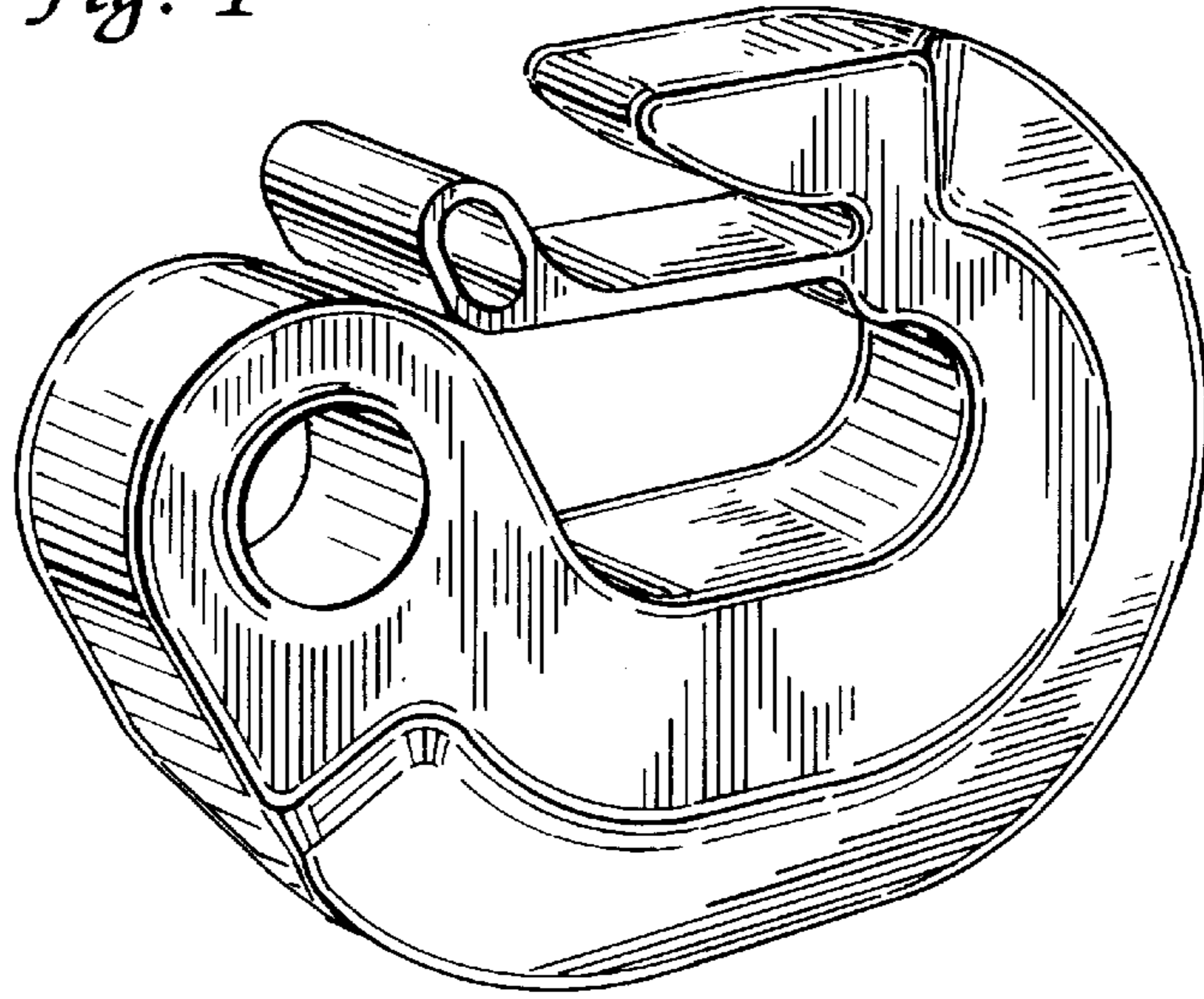


Fig. 3

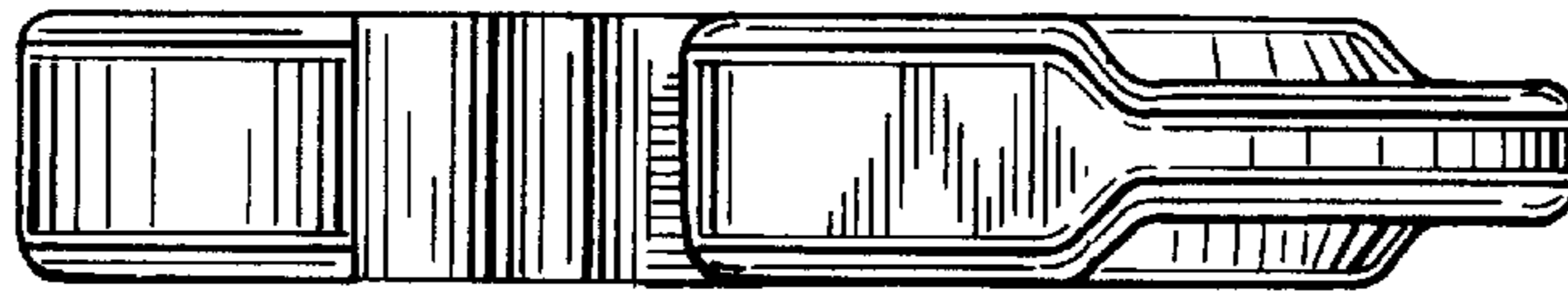


Fig. 6

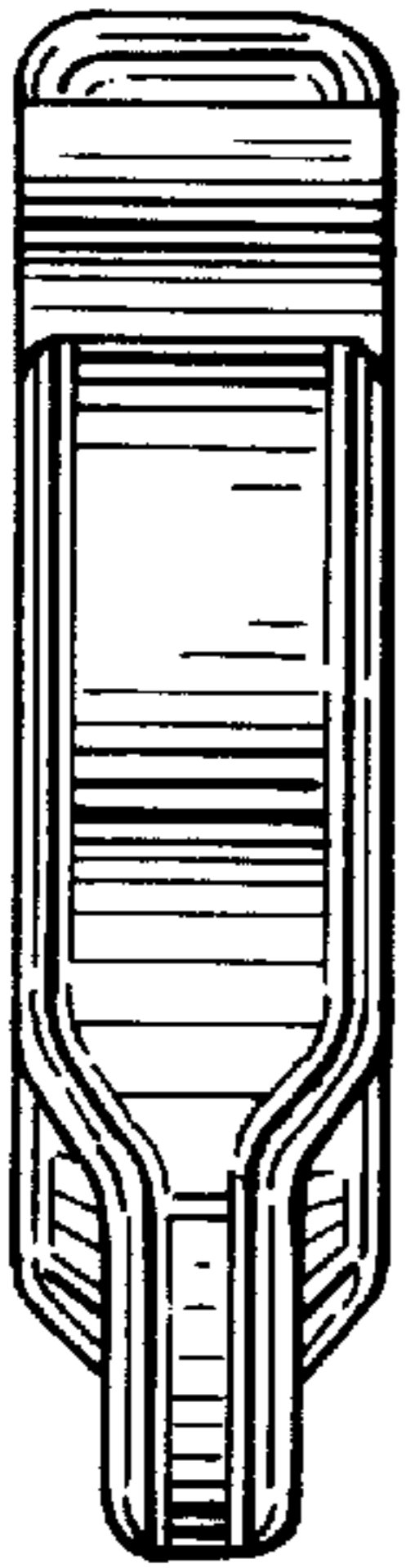


Fig. 2

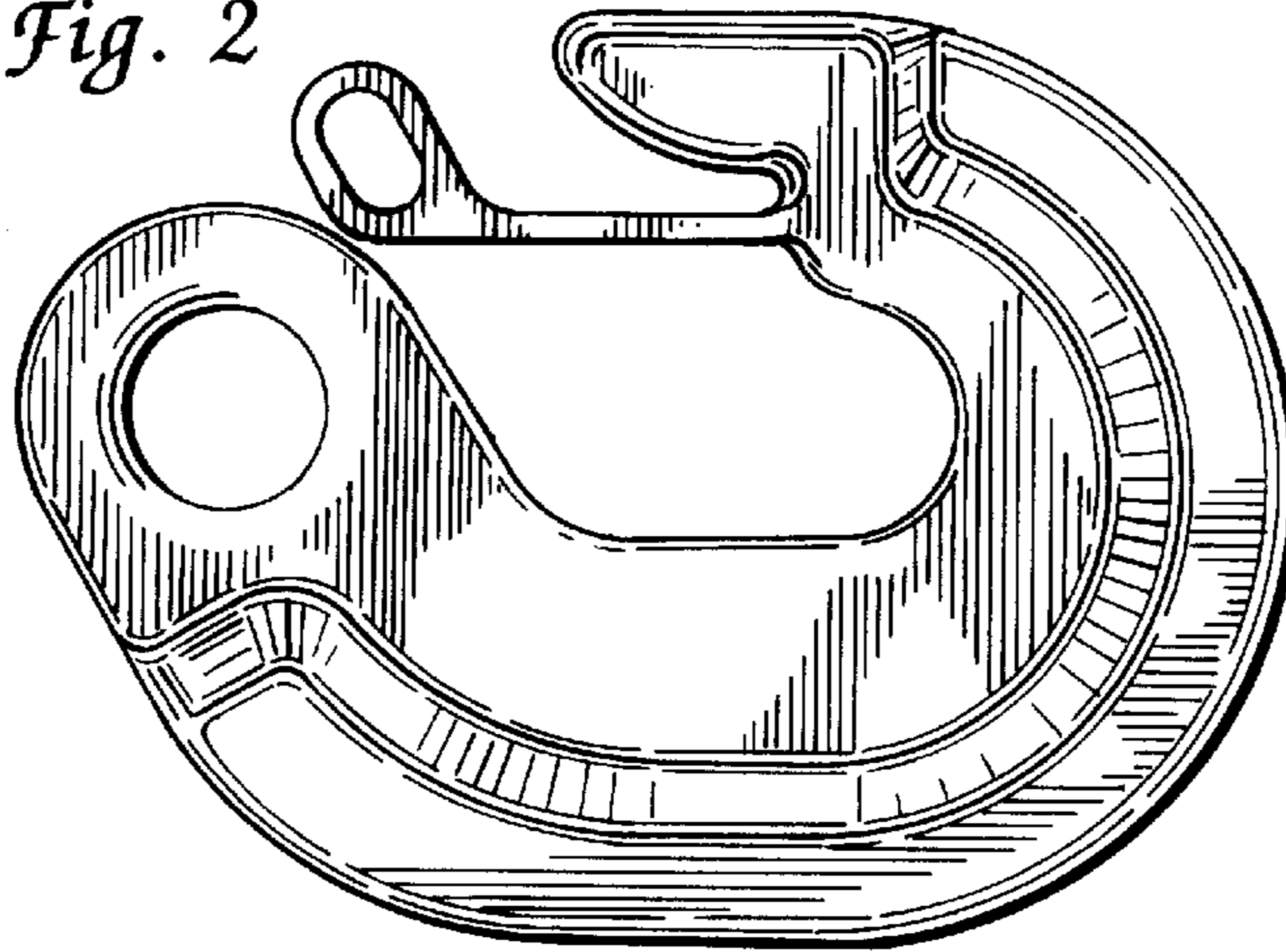


Fig. 5

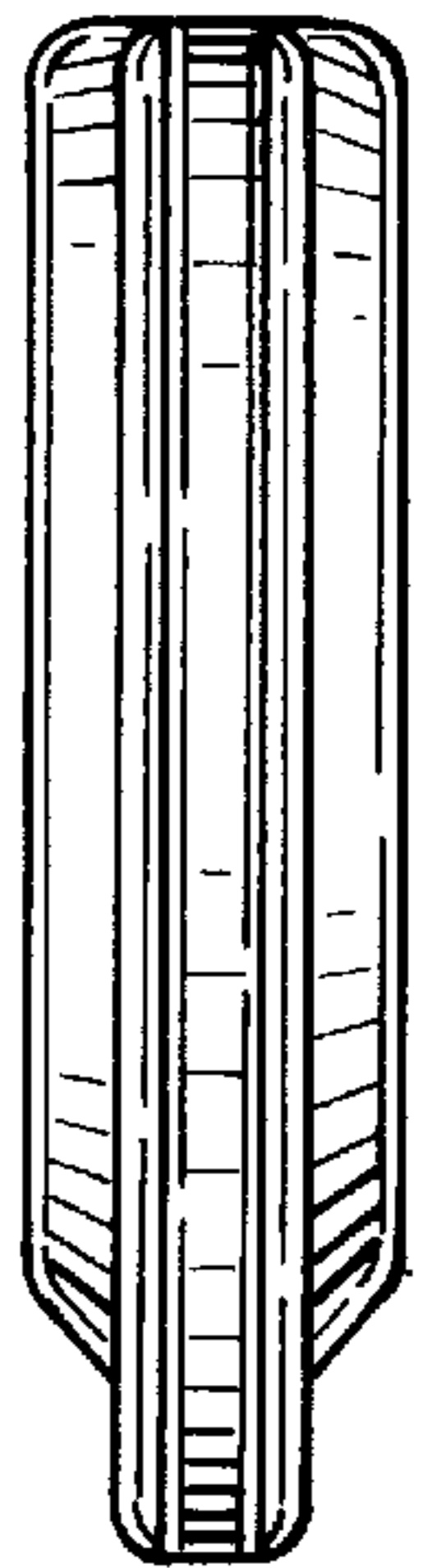


Fig. 4

