



US00D407300S

# United States Patent [19] Catlett

[11] **Patent Number: Des. 407,300**

[45] **Date of Patent: \*\*Mar. 30, 1999**

[54] **LATCHING "S" HOOK**

[75] Inventor: **Timothy J. Catlett**, Maryville, Mo.

[73] Assignee: **Laclede Chain Manufacturing Company**, St. Louis, Mo.

[\*\*] Term: **14 Years**

[21] Appl. No.: **88,940**

[22] Filed: **Jun. 4, 1998**

[51] **LOC (6) Cl. .... 08-05**

[52] **U.S. Cl. .... D8/367**

[58] **Field of Search ..... D8/367, 382, 356;  
24/599.8, 598.4, 599.5; 294/82.19, 82.2,  
82.21**

[56] **References Cited**

**U.S. PATENT DOCUMENTS**

D. 33,410	10/1900	Covert .	
D. 259,540	6/1981	Svensson .....	D8/367
D. 370,406	6/1996	Tsai .....	D8/382
646,519	4/1900	Covert .	
959,744	5/1910	Hubbard .	
1,240,810	9/1917	Baxter .	
1,256,101	2/1918	Baxter .	
1,879,168	9/1932	Freysinger .	
3,797,229	3/1974	Rueff et al. .	
3,831,229	8/1974	Craven .	
3,968,988	7/1976	Carfagno .	
4,013,314	3/1977	Archer .	
4,122,585	10/1978	Sharp et al. .	
4,440,432	4/1984	Goris .	

4,546,523	10/1985	Bailey .
4,955,651	9/1990	Barber .
5,020,843	6/1991	Lucas .
5,257,441	11/1993	Barlow .
5,579,564	12/1996	Rullo et al. .
5,664,304	9/1997	Tambornino .
5,694,668	12/1997	Rohlf .

**OTHER PUBLICATIONS**

Yoke Catalog, no p. No., snap hook—item Art M-2311X, Aug. 1995.

*Primary Examiner*—Holly Baynham  
*Attorney, Agent, or Firm*—Blackwell Sanders Peper Martin

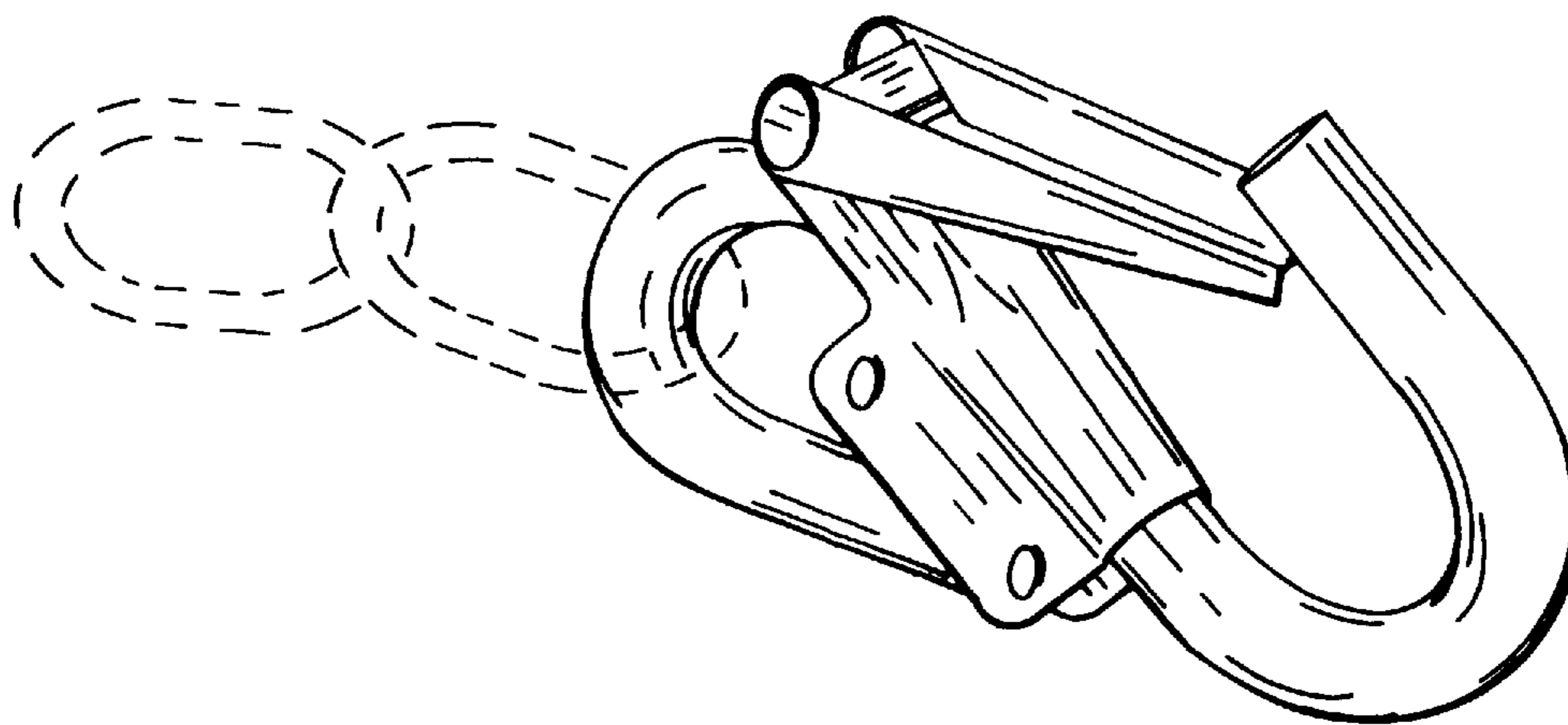
[57] **CLAIM**

The ornamental design for a latching "S" hook, as shown and described.

**DESCRIPTION**

FIG. 1 is a perspective view of a latching "S" hook, showing my new design;  
FIG. 2 is a perspective view of the design of FIG. 1, from the opposite direction;  
FIG. 3 is a side elevational view thereof, the opposite side being a mirror image thereof;  
FIG. 4 is a top elevational view thereof;  
FIG. 5 is a bottom elevational view thereof;  
FIG. 6 is a front end elevational view thereof; and,  
FIG. 7 is a back end elevational view thereof.  
The broken line showing of chain links is for illustrative purposes and forms no part of the claimed design.

**1 Claim, 4 Drawing Sheets**



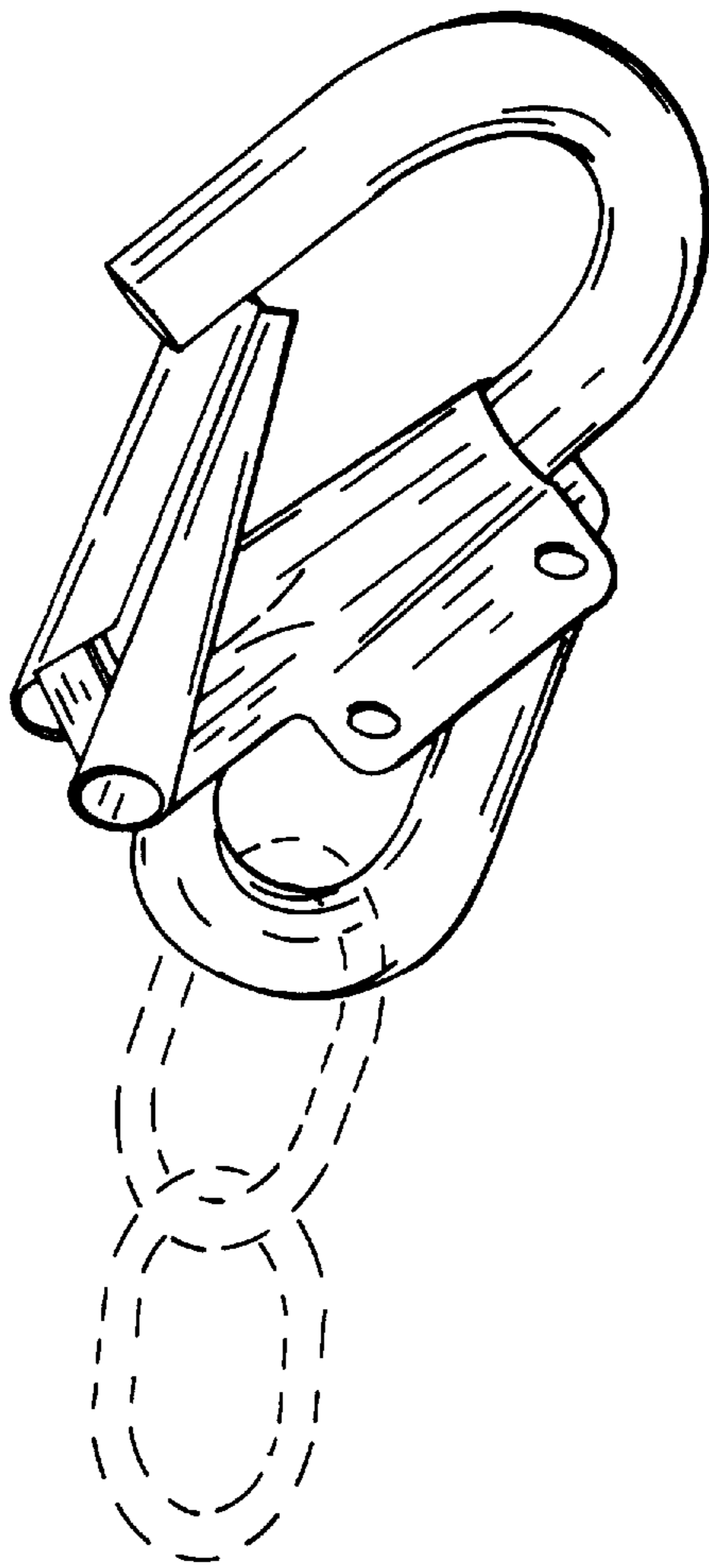


FIG. 1

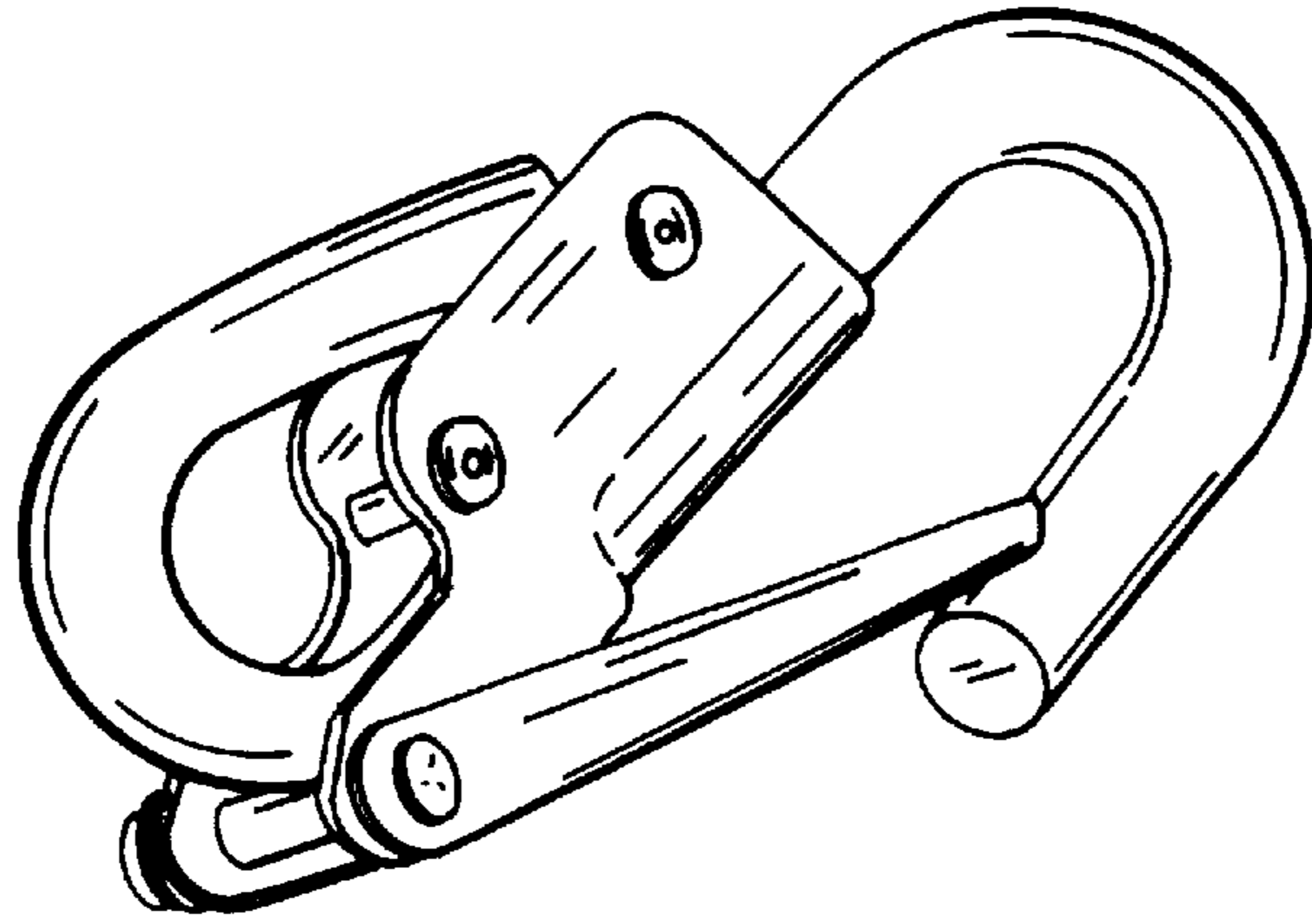


FIG. 2

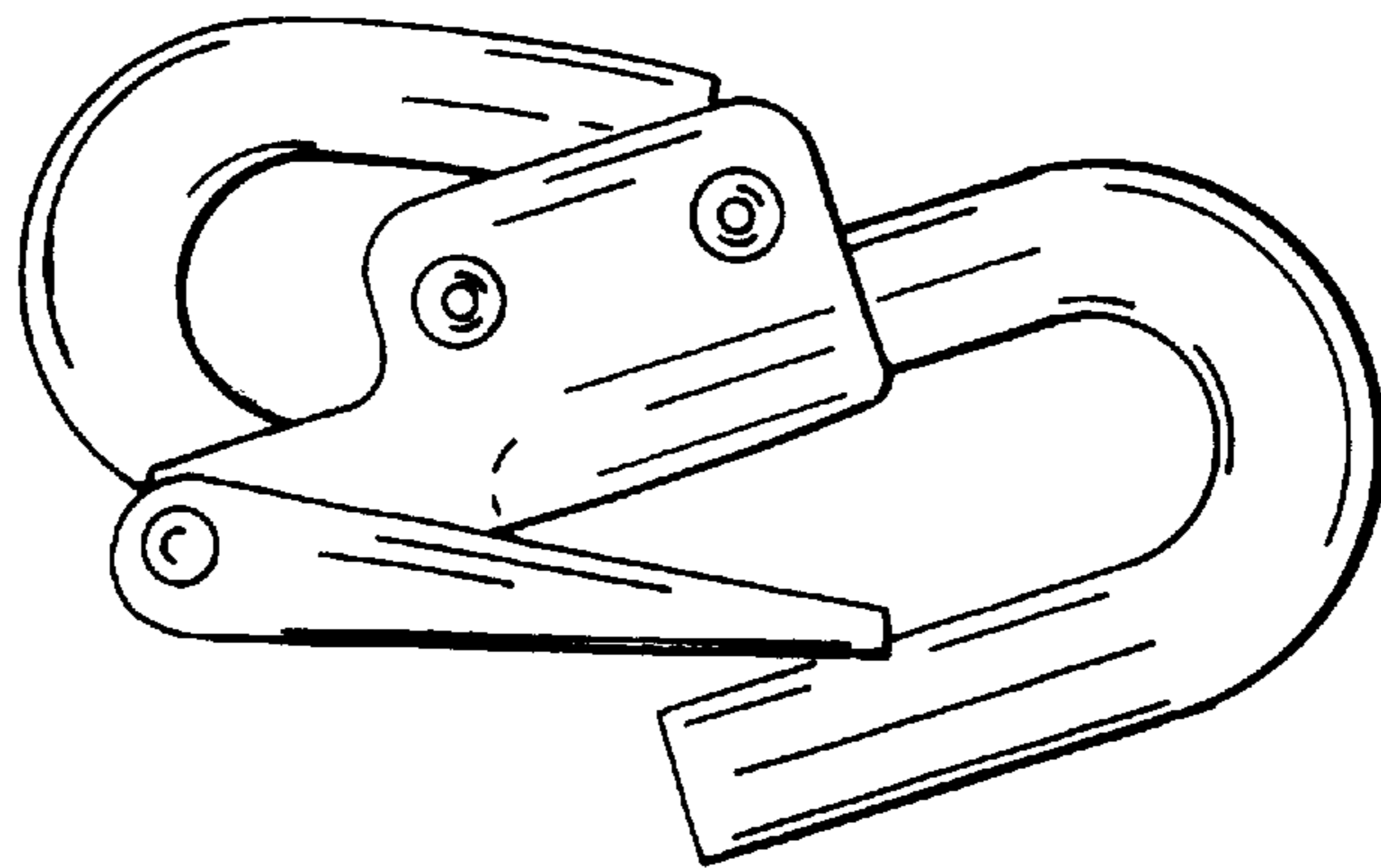


FIG. 3

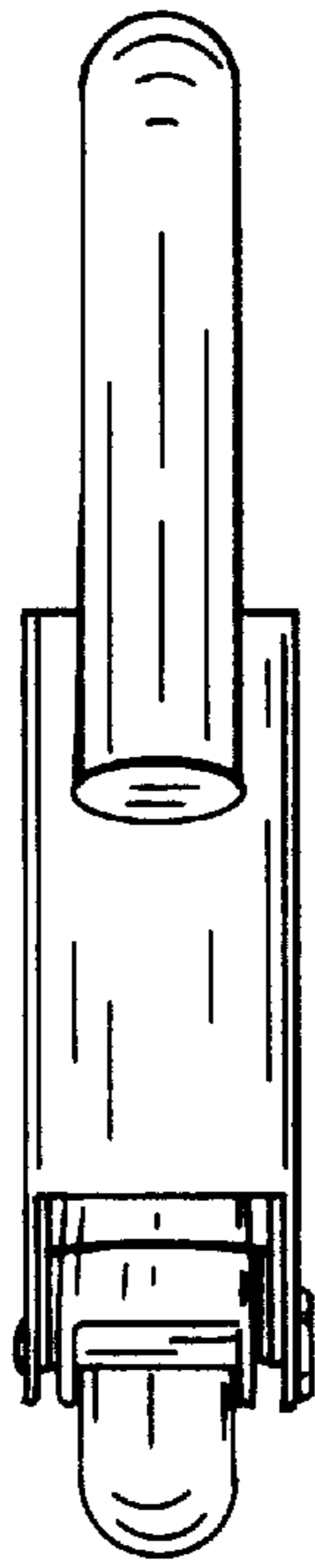


FIG. 4

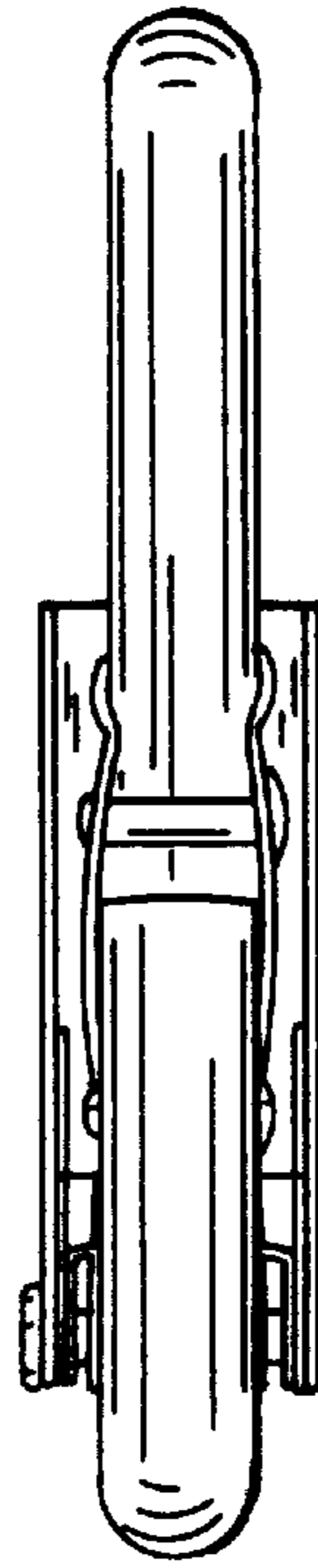


FIG. 5

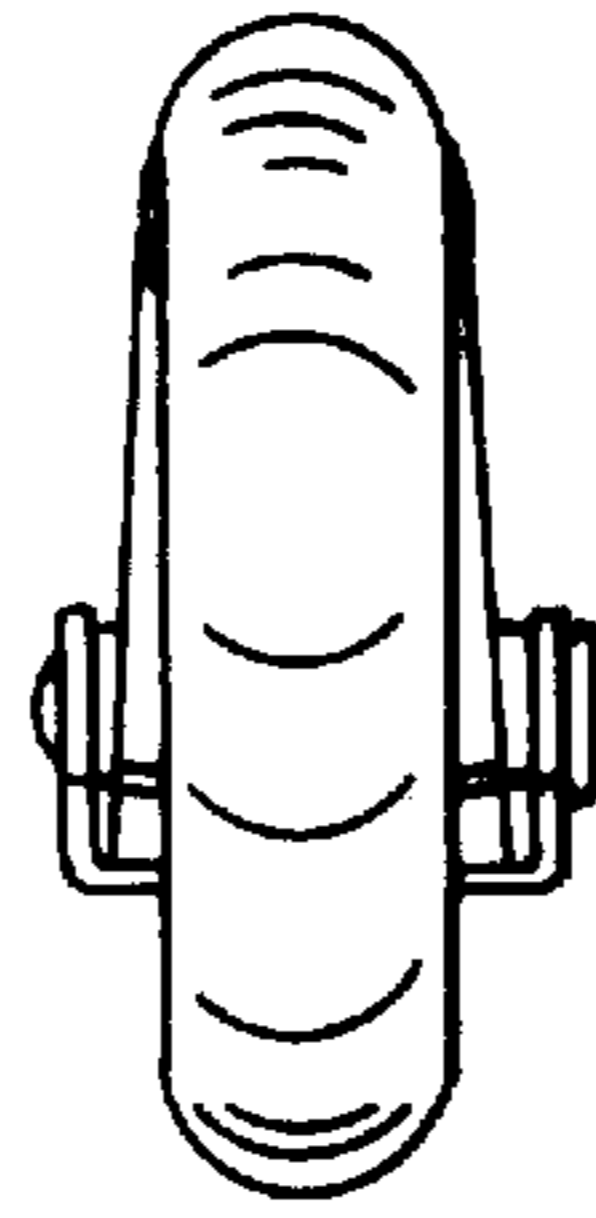


FIG. 6

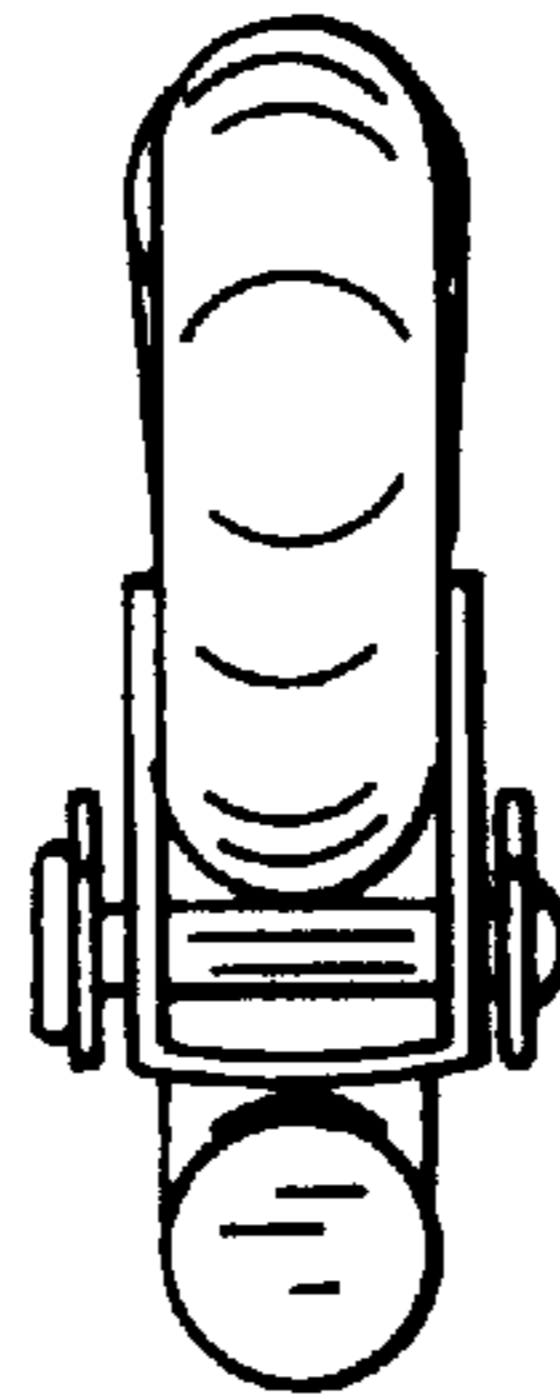


FIG. 7