



US00D407298S

United States Patent [19] Hemphill

[11] **Patent Number: Des. 407,298**

[45] **Date of Patent: **Mar. 30, 1999**

[54] **LIFTING EYE**

[75] Inventor: **Douglas Hemphill**, Delta, Canada

[73] Assignee: **Zodiac Hurricane Technologies, Inc.**,
Delta, Canada

[**] Term: **14 Years**

[21] Appl. No.: **81,212**

[22] Filed: **Dec. 24, 1997**

[51] **LOC (6) Cl. 08-05**

[52] **U.S. Cl. D8/367**

[58] **Field of Search D8/349, 354, 367;**
24/265 CD, 590; 248/499, 551; 294/1.1

[56] **References Cited**

U.S. PATENT DOCUMENTS

D. 209,172	11/1967	Brock .	
D. 314,133	1/1991	Issard .	
4,400,856	8/1983	Tseng .	
4,630,982	12/1986	Fenner	248/499 X
4,699,410	10/1987	Seidel	294/1.1
5,456,443	10/1995	Taaffe	248/499 X
5,774,948	4/1997	Petschke et al.	24/265 CD

Primary Examiner—Holly Baynham
Attorney, Agent, or Firm—Larson & Taylor

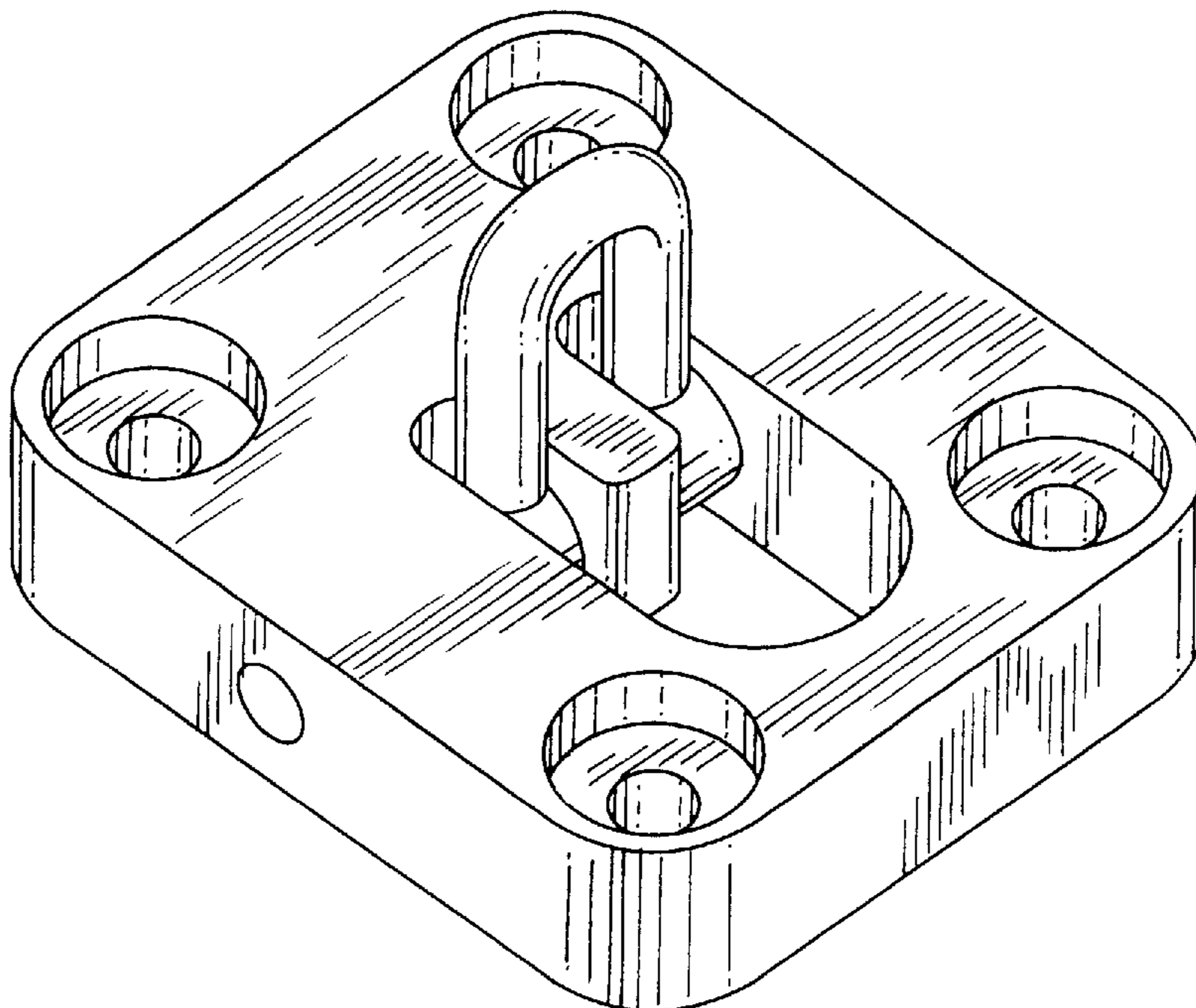
[57] **CLAIM**

The ornamental design of a lifting eye, as shown and described.

DESCRIPTION

FIG. 1 is a front elevation of the lifting eye of the present invention with the eye extended for use;
 FIG. 2 is a top view of the lifting eye of the present invention with the eye retracted when not in use;
 FIG. 3 is a bottom view of the lifting eye of the present invention;
 FIG. 4 is a side view of the lifting eye of the present with the lifting eye extended for use;
 FIG. 5 is a front view of The lifting eye of the present invention with the eye extended for use; and,
 FIG. 6 is a front elevation of the lifting eye of the present invention with the eye retracted when not in use.
 The present invention is intended for use as a folding, flush mounted lifting eye for boats fitted with deck mounted lift points.

1 Claim, 3 Drawing Sheets



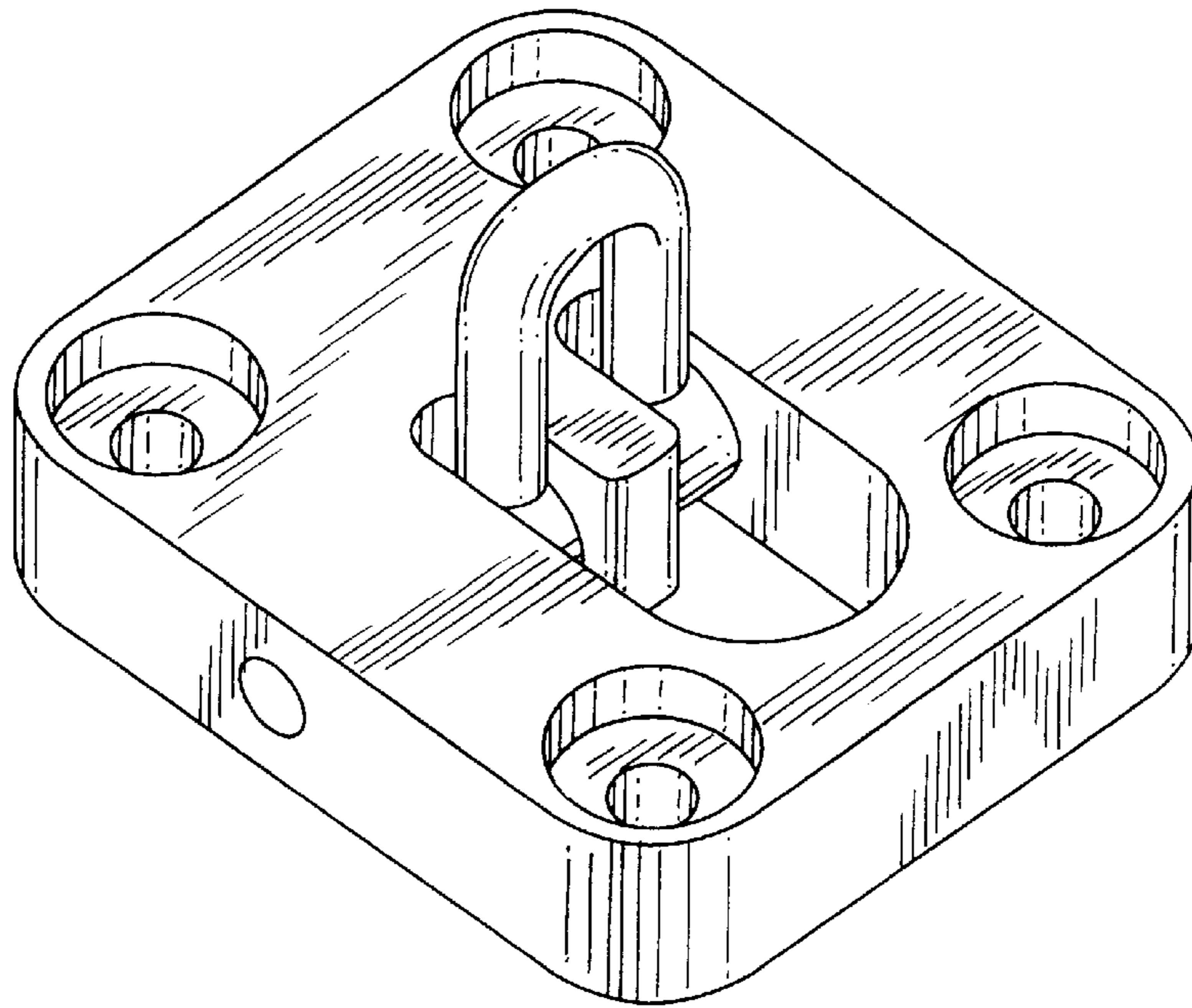


FIG. 1

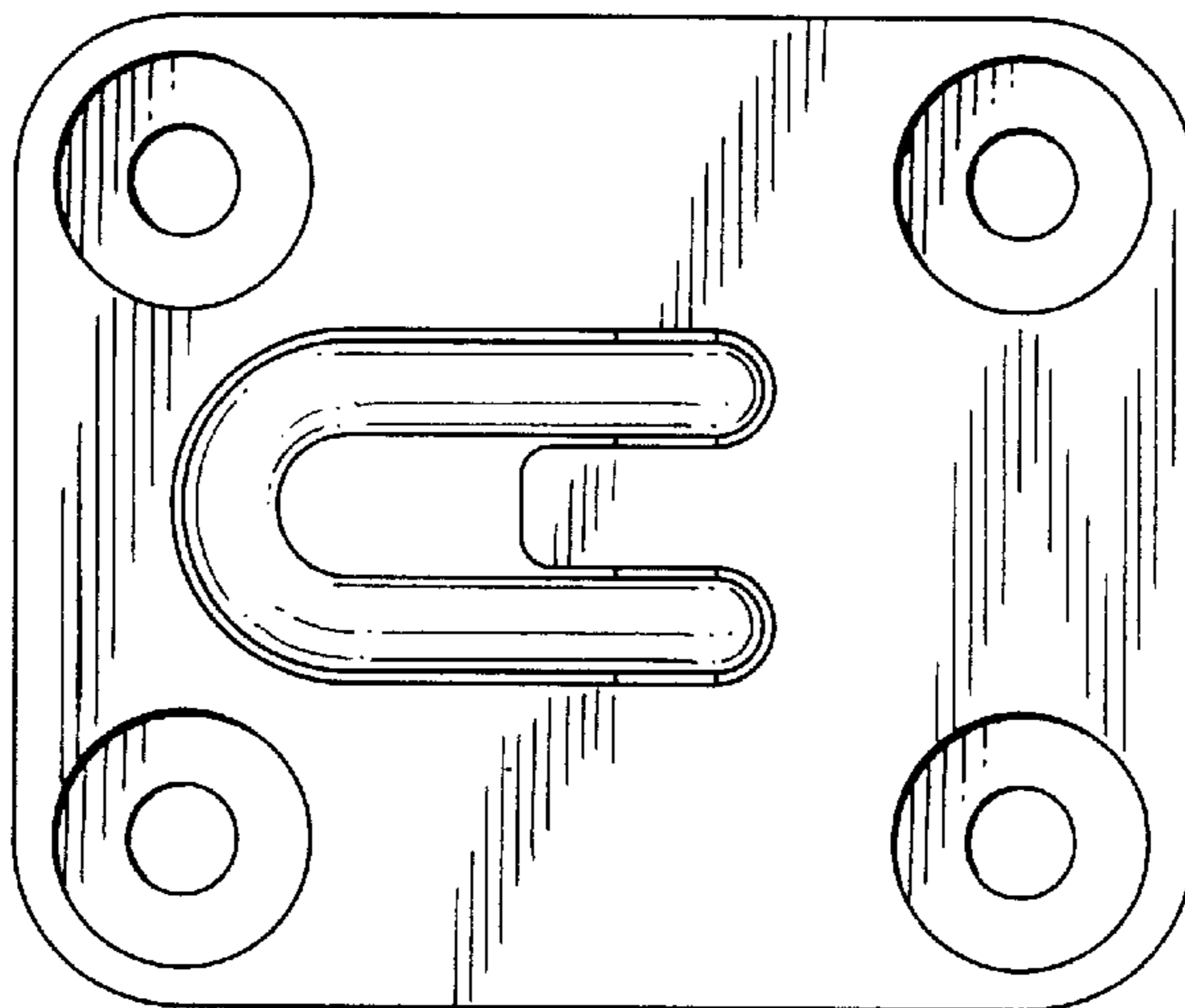


FIG. 2

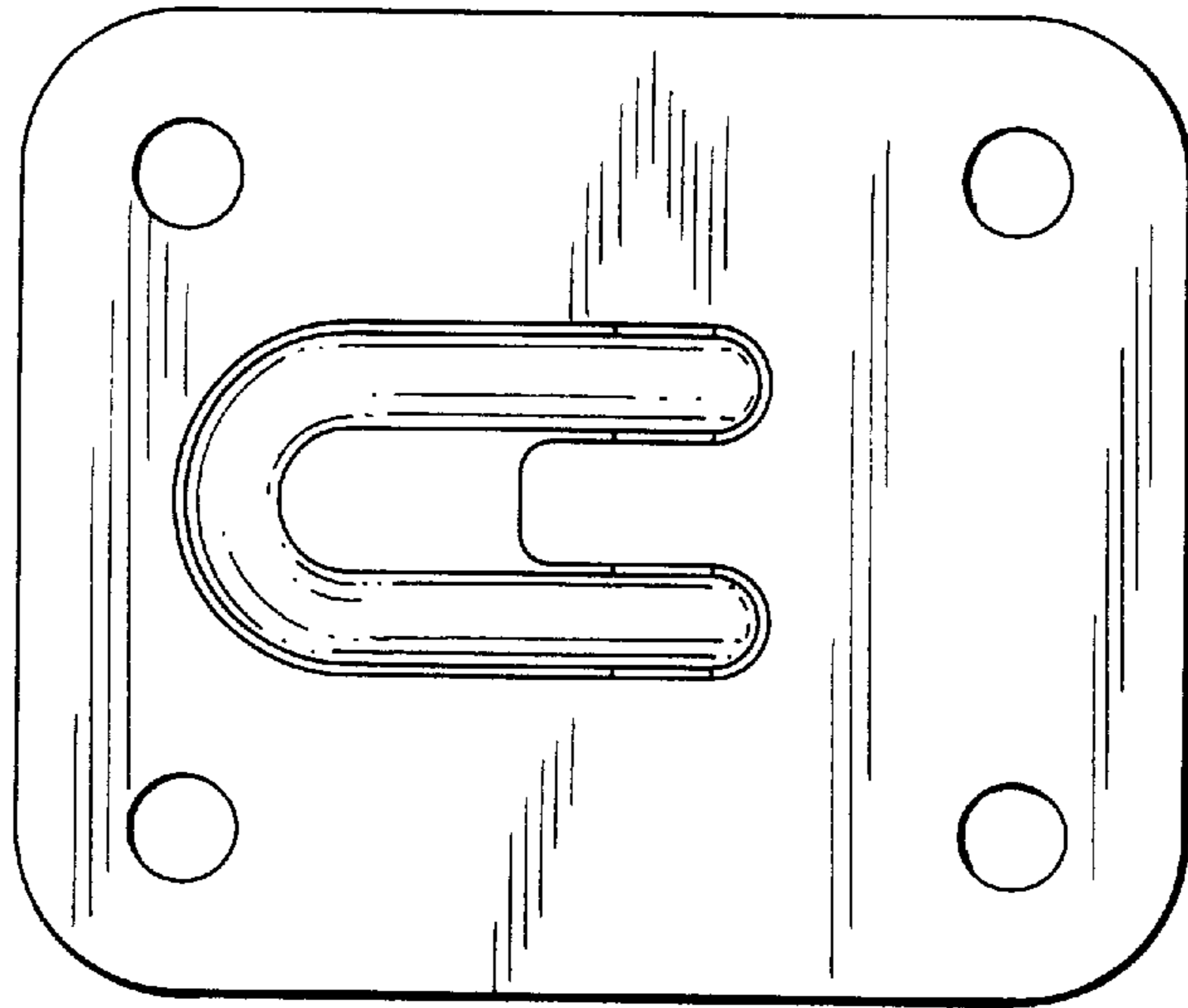


FIG. 3

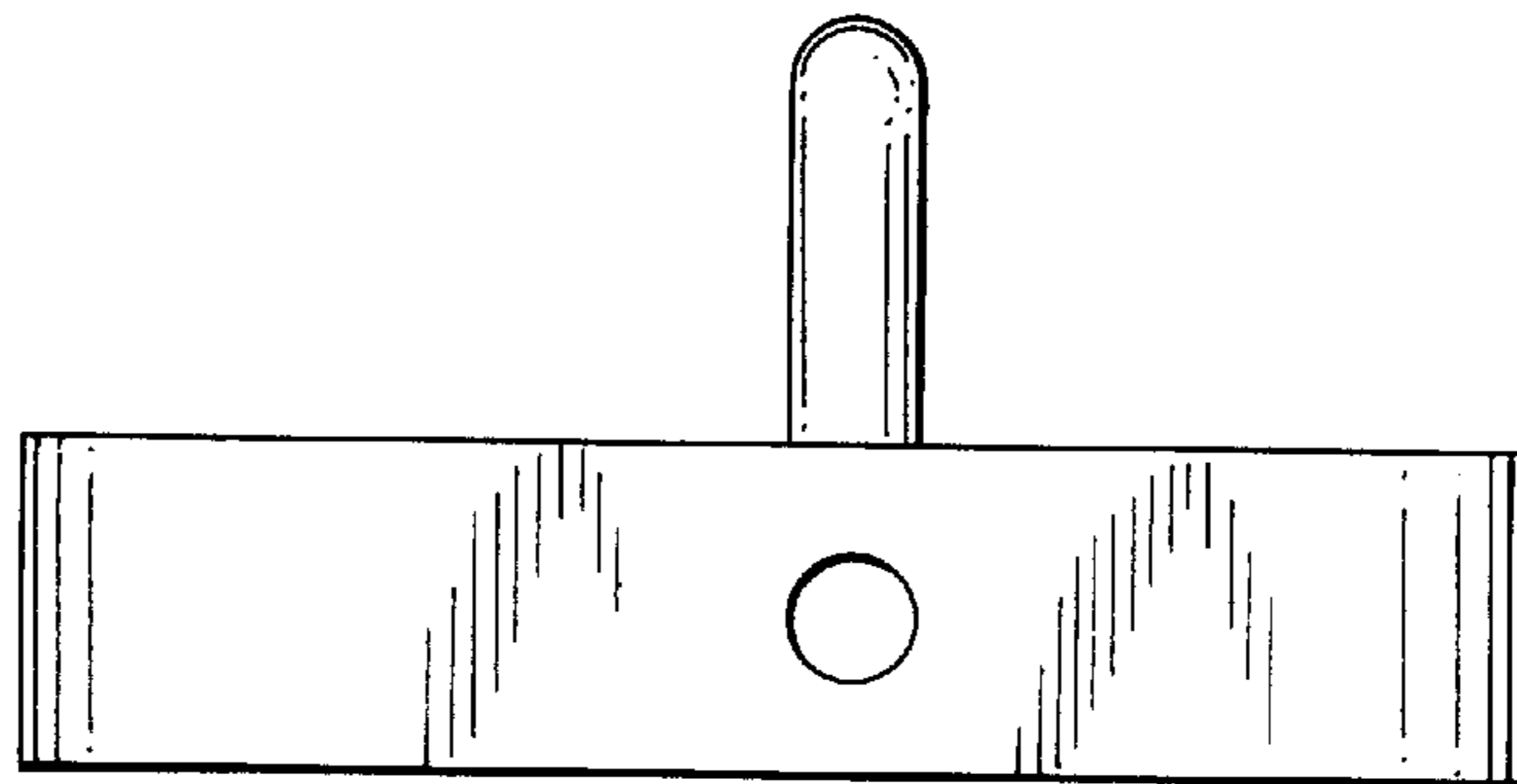


FIG. 4

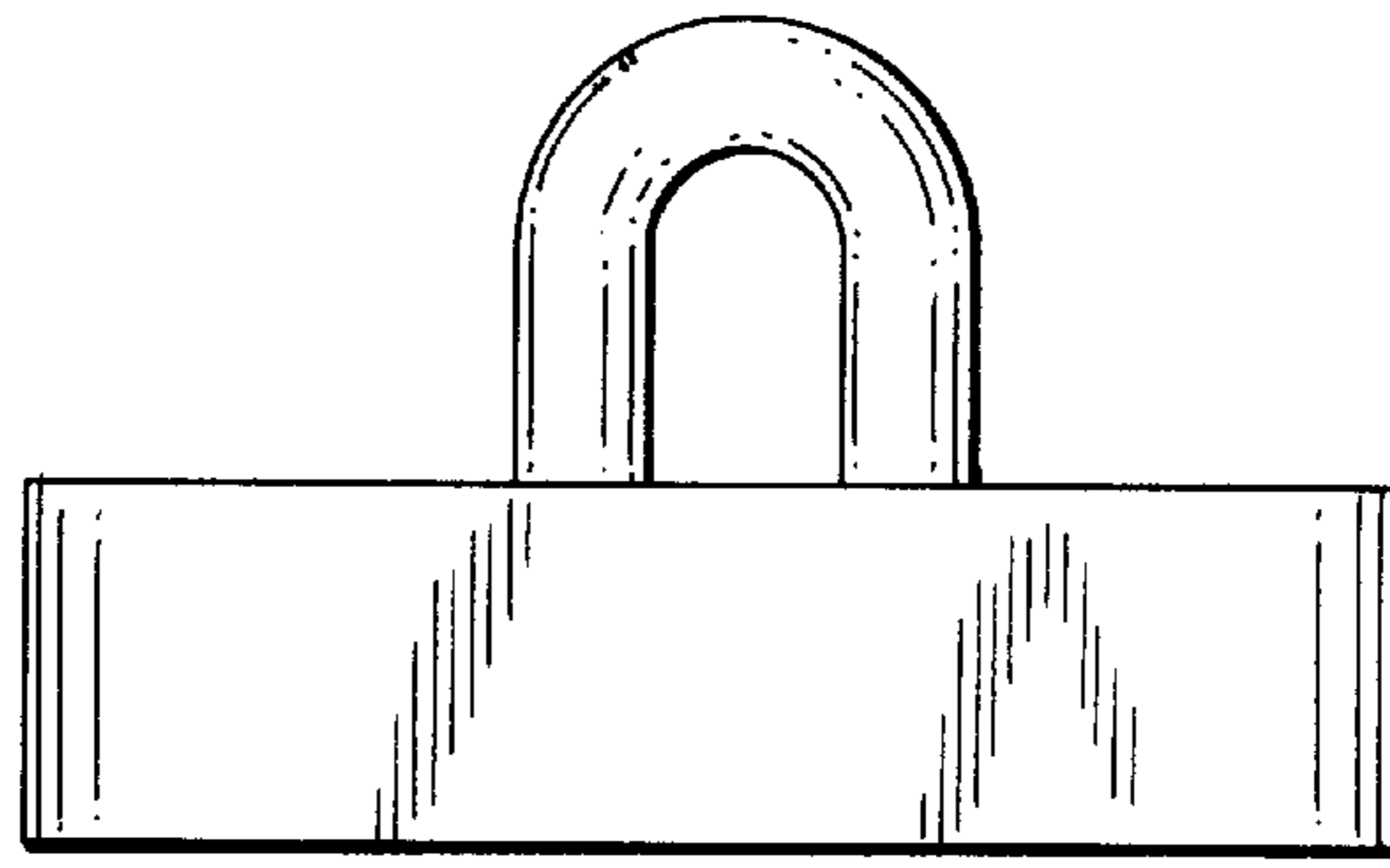


FIG. 5

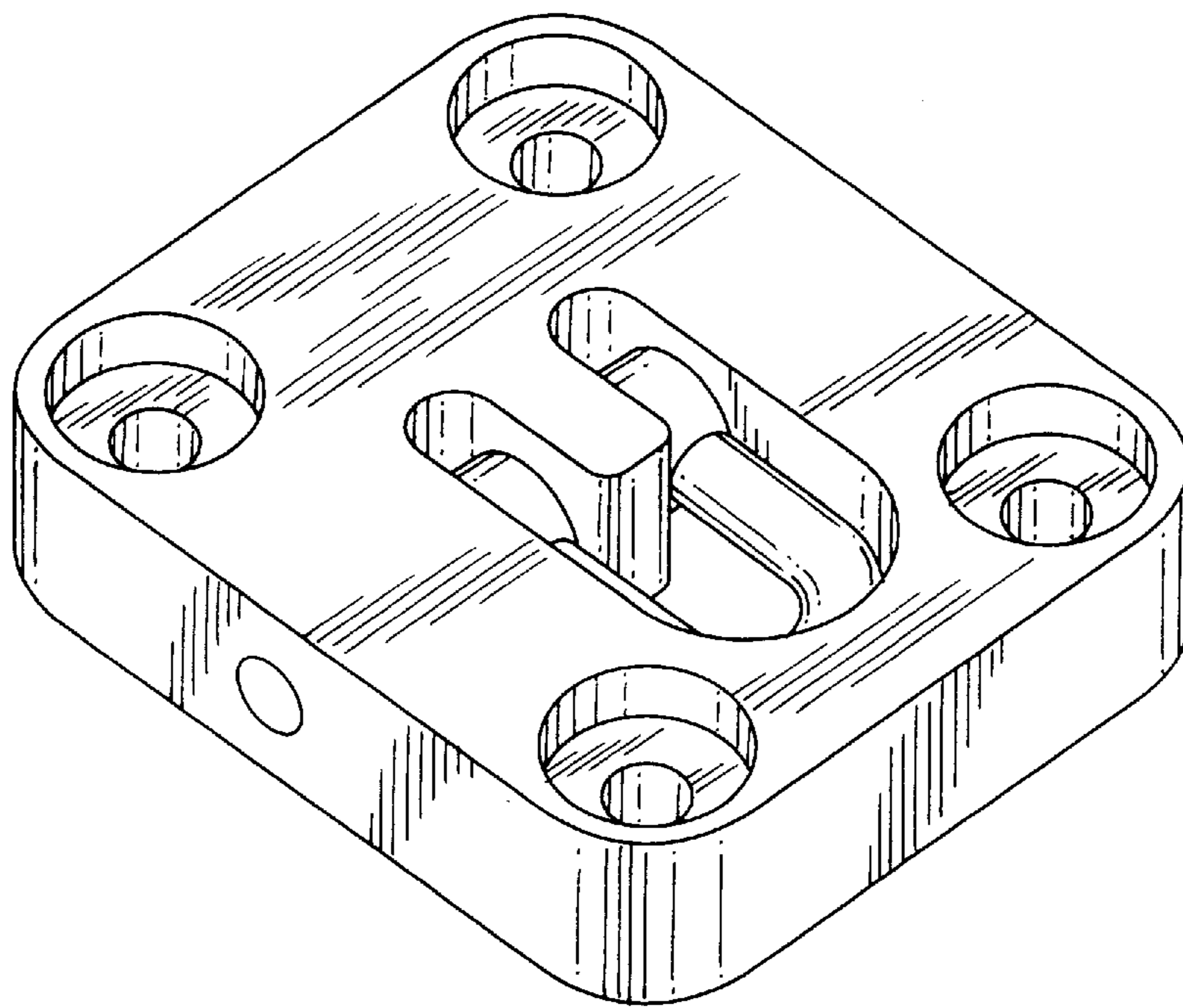


FIG. 6