



US00D407293S

United States Patent [19] Haggard

[11] Patent Number: **Des. 407,293**

[45] Date of Patent: ****Mar. 30, 1999**

[54] **TRAILER ENTRY HANDLE**

[75] Inventor: **Michale W. Haggard**, Ardmore, Okla.

[73] Assignee: **Antec Fabrication, Inc.**, Springer, Okla.

[**] Term: **14 Years**

[21] Appl. No.: **80,161**

[22] Filed: **Oct. 24, 1997**

Related U.S. Application Data

[63] Continuation of Ser. No. 51,046, Feb. 29, 1996, abandoned.

[51] **LOC (6) Cl.** **08-06**

[52] **U.S. Cl.** **D8/320; D8/300; D12/106**

[58] **Field of Search** **D8/300, 315-320; D12/106; 16/110 R, 114 R, 223, 319**

[56] References Cited

U.S. PATENT DOCUMENTS

D. 317,279	6/1991	Krueger	D12/106
615,355	12/1898	Green	.	
1,311,657	7/1919	Levins	.	
2,339,646	1/1944	Mann	16/114
2,447,389	8/1948	Borchers	16/114 R
2,586,986	2/1952	Orrison	105/354
2,620,955	12/1952	Elder	224/45
2,642,581	6/1953	Loe	4/185
3,582,124	6/1971	Quirk, Jr.	294/26
4,184,568	1/1980	Hillier	182/8
4,200,323	4/1980	Cocksedge	294/33

4,817,239	4/1989	Campbell et al.	16/114 R
4,831,688	5/1989	Deiningner	16/319
5,027,471	7/1991	Barnes	16/86 R
5,044,681	9/1991	Neighbors	16/319
5,117,532	6/1992	Holland	16/223
5,323,511	6/1994	Gray	16/114 R
5,450,652	9/1995	Webb	16/82
5,511,837	4/1996	Dempsey	16/319

Primary Examiner—B. J. Bullock
Attorney, Agent, or Firm—McAfee & Taft

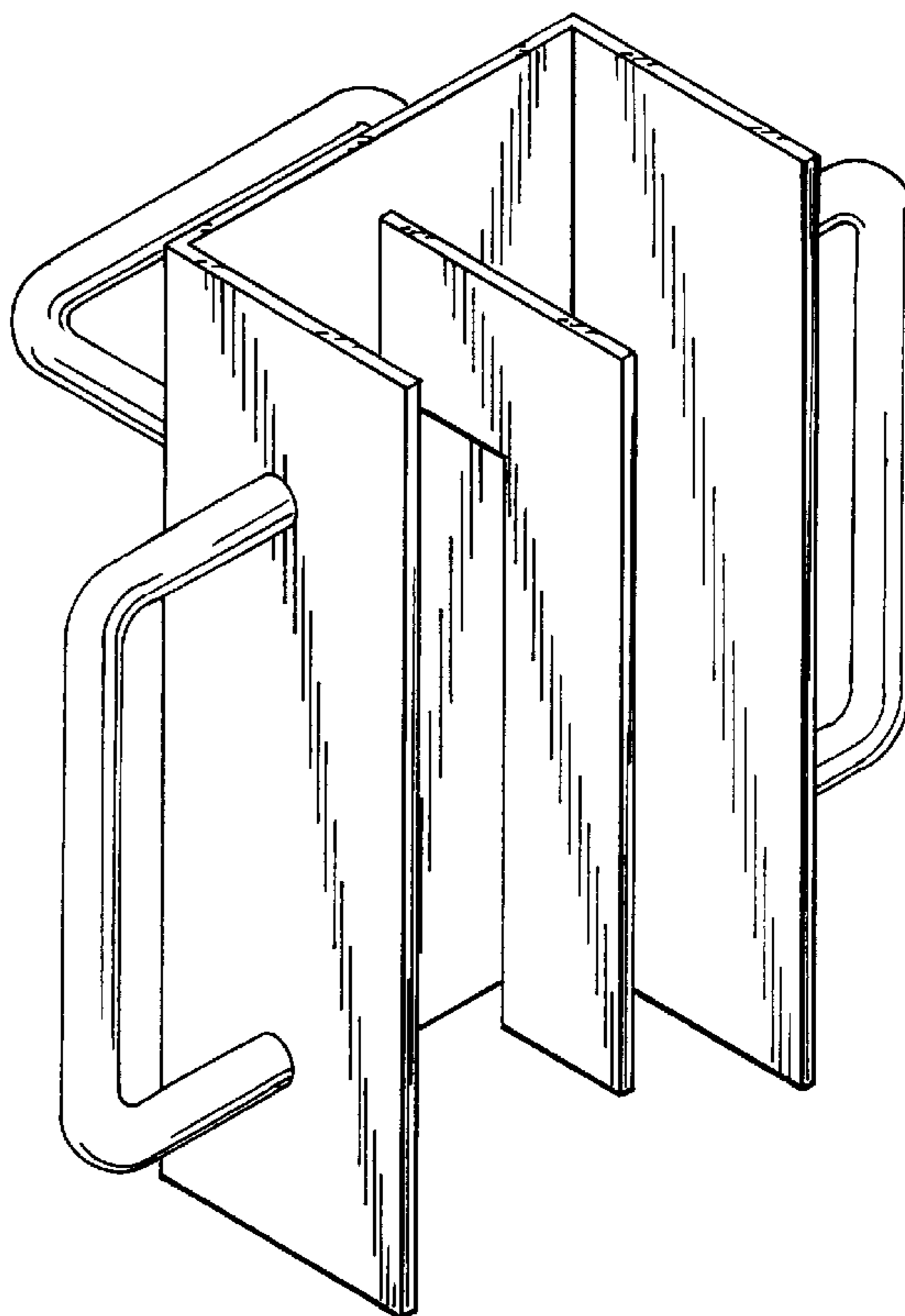
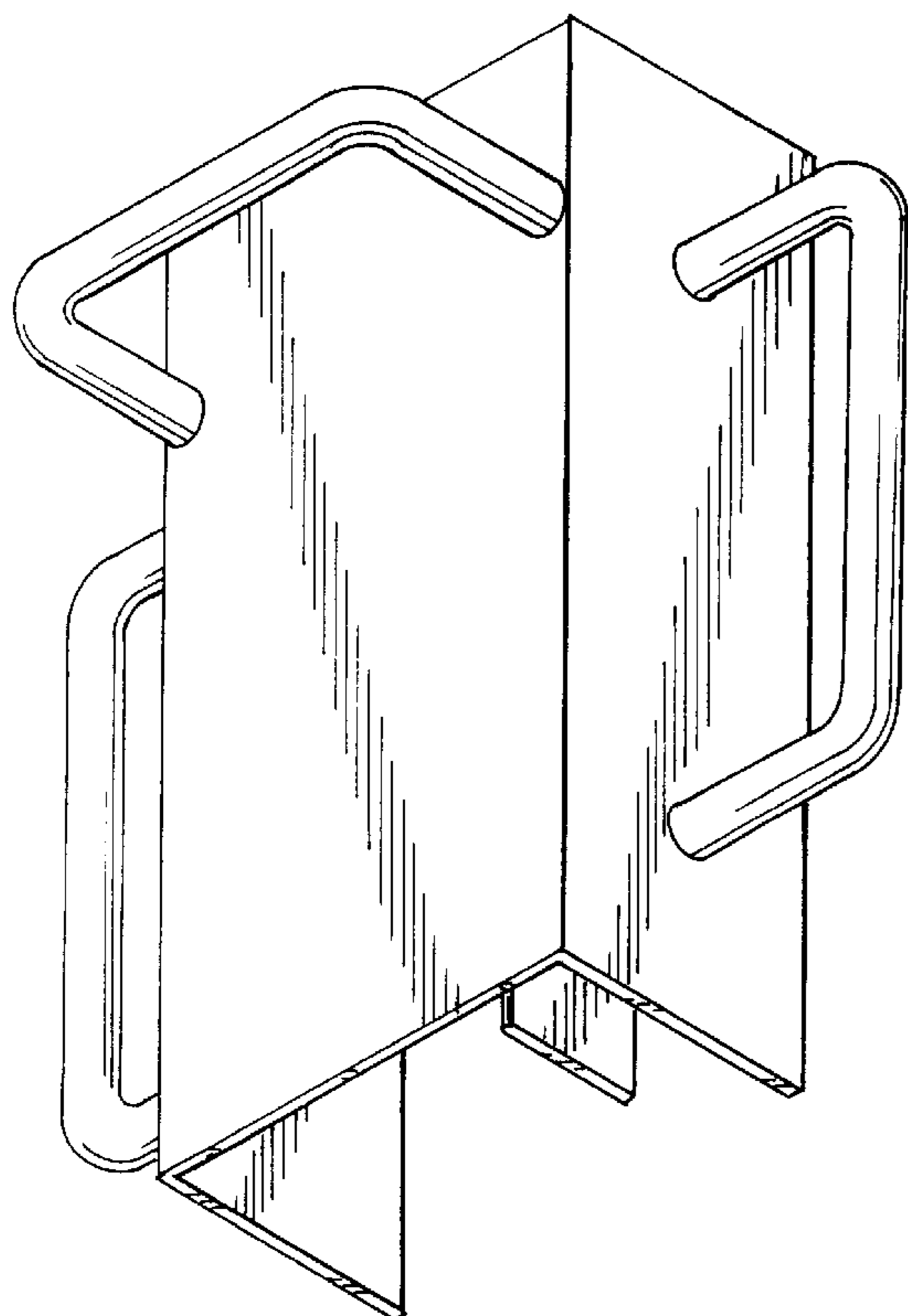
[57] CLAIM

The ornamental design for a trailer entry handle, as shown and described.

DESCRIPTION

FIG. 1 is a front perspective view of the trailer entry handle of the present invention;
 FIG. 2 is a rear perspective view of the trailer entry handle of the present invention;
 FIG. 3 is a front view in elevation of the trailer entry handle of the present invention;
 FIG. 4 is a rear view in elevation of the trailer entry handle of the present invention;
 FIG. 5 is a top view of the trailer entry handle;
 FIG. 6 is a bottom view of the trailer entry handle;
 FIG. 7 is a side view in elevation of the trailer entry handle; and,
 FIG. 8 is a side view in elevation of the trailer entry handle, the side illustrated by FIG. 8 being opposite the side illustrated by FIG. 7.

1 Claim, 2 Drawing Sheets



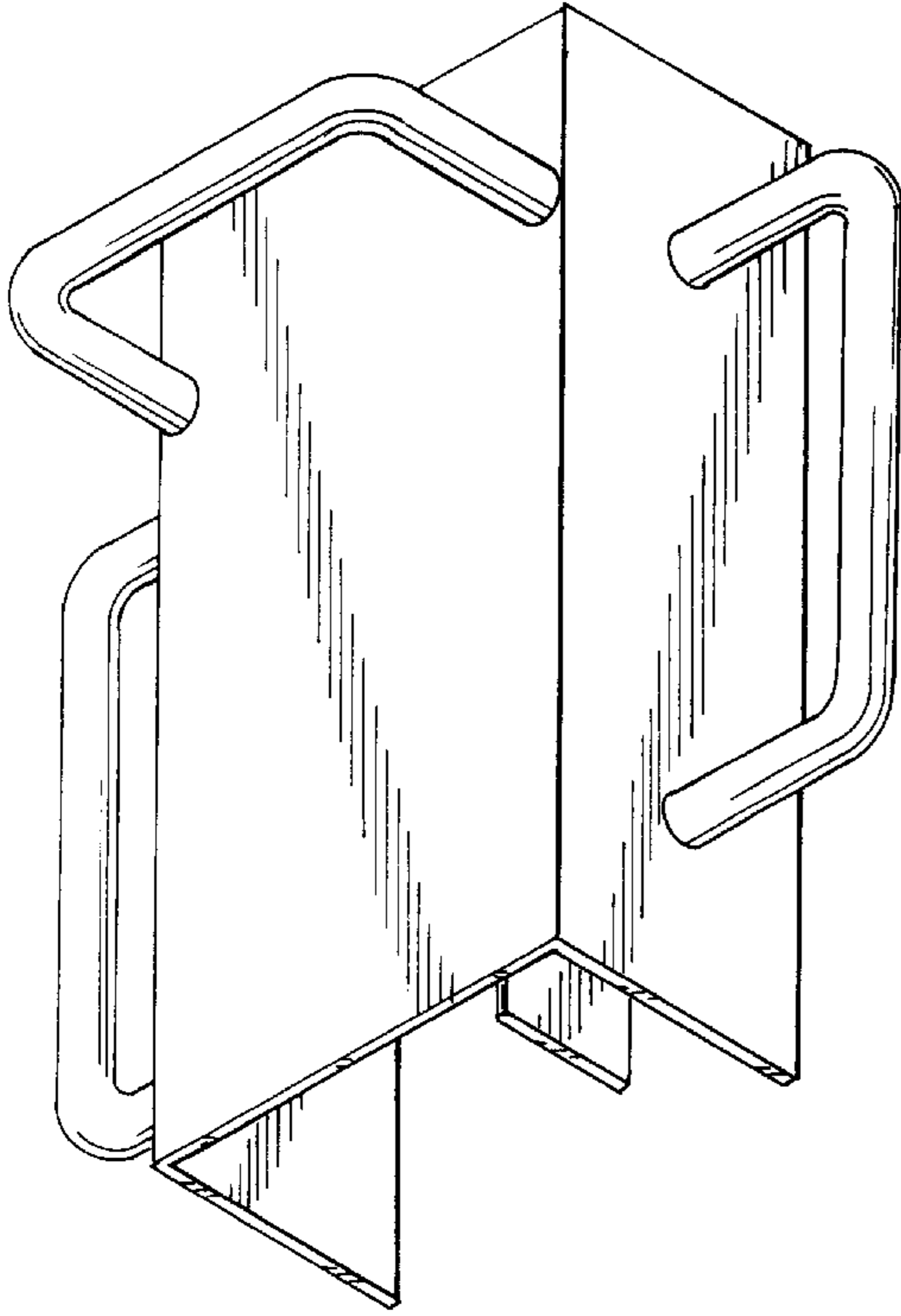


FIG. 1

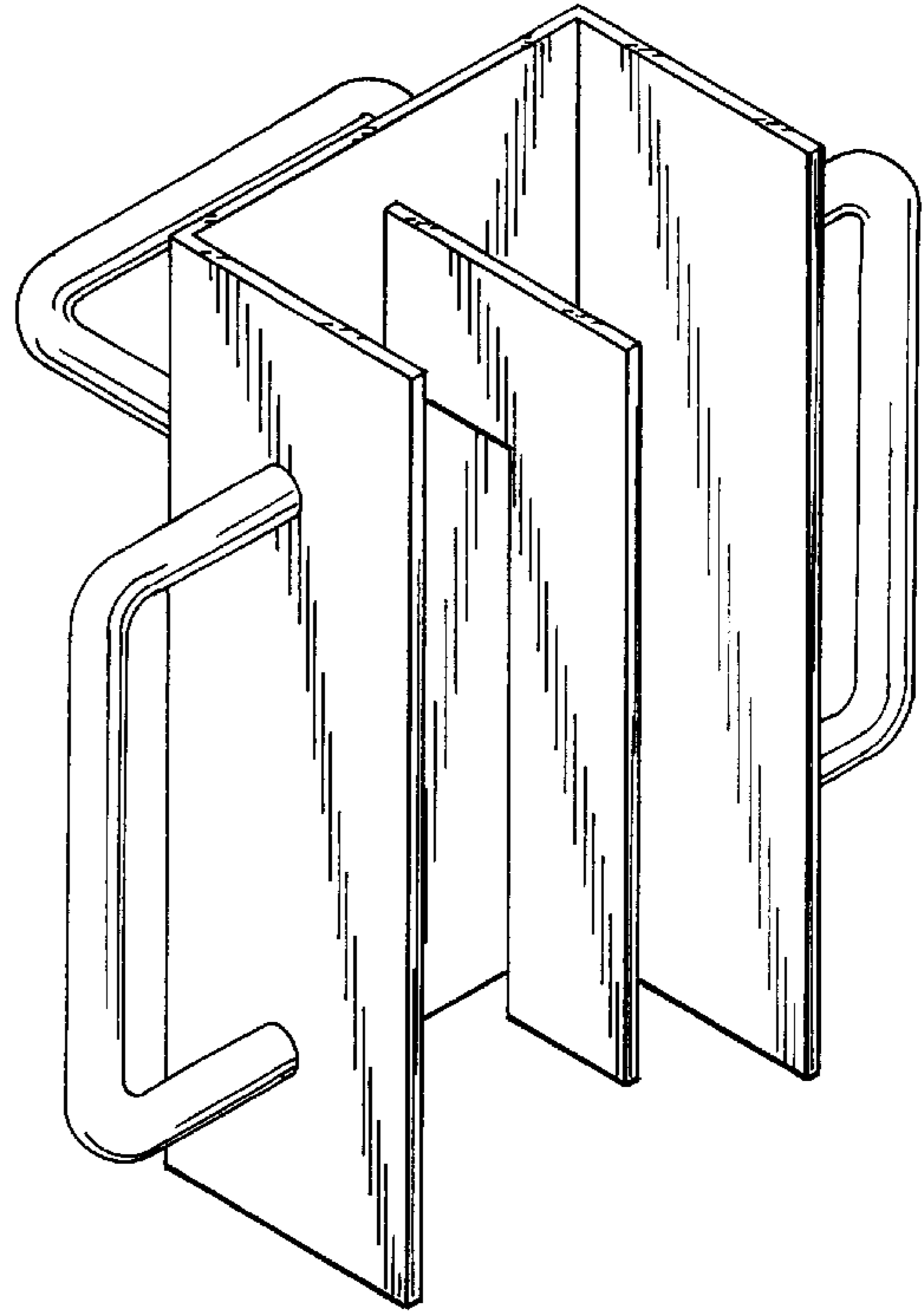


FIG. 2

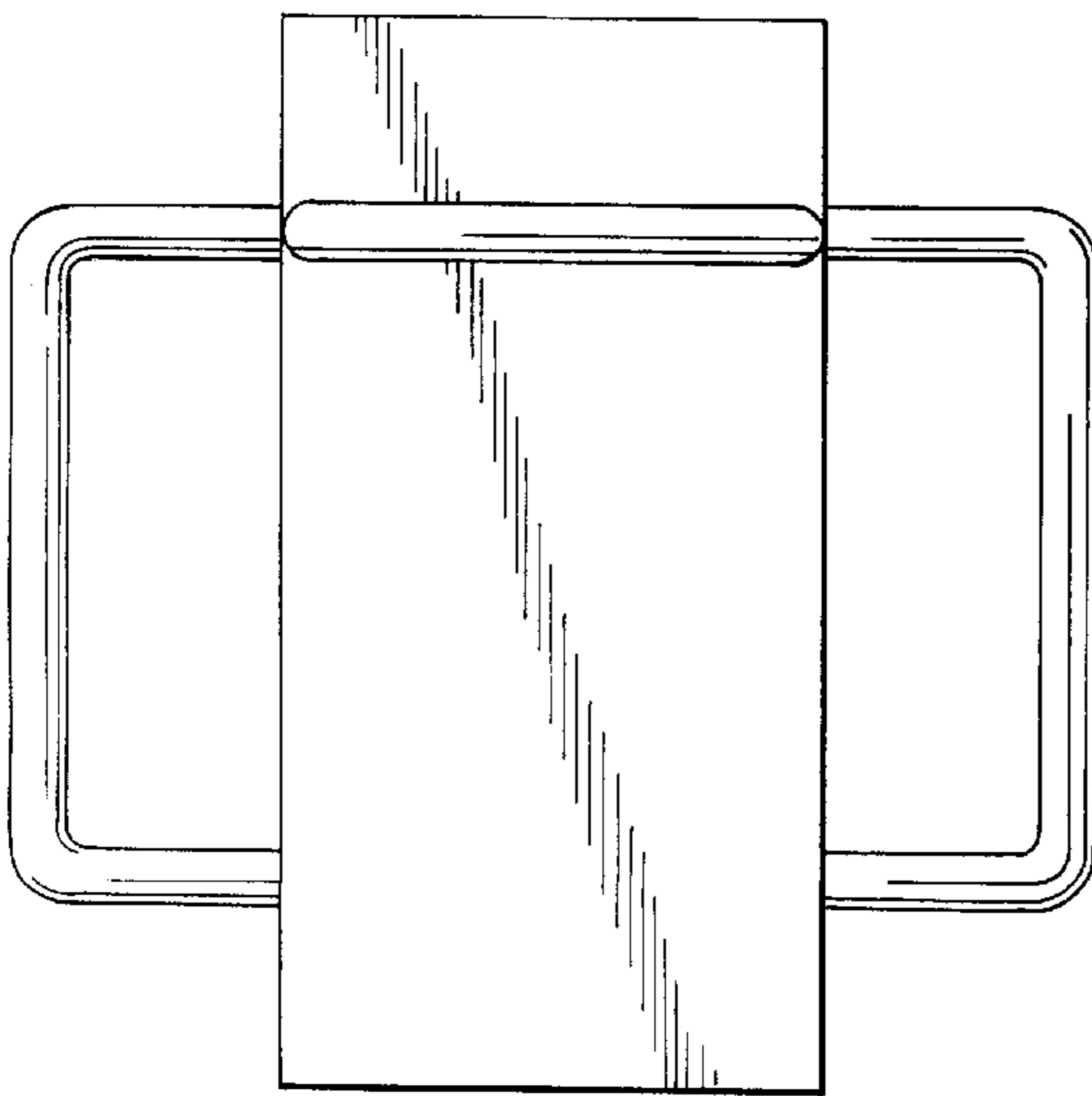


FIG. 3

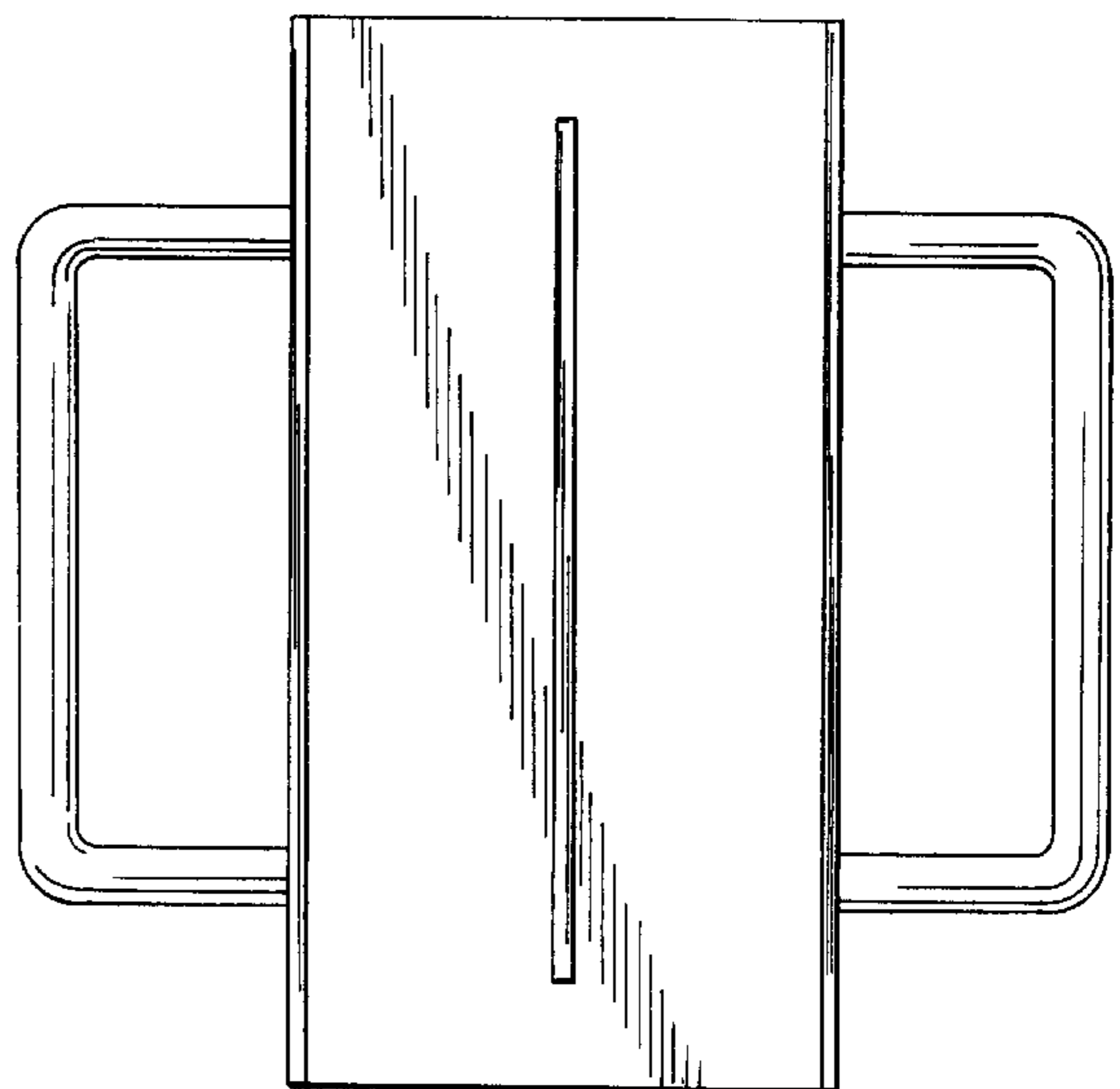


FIG. 4

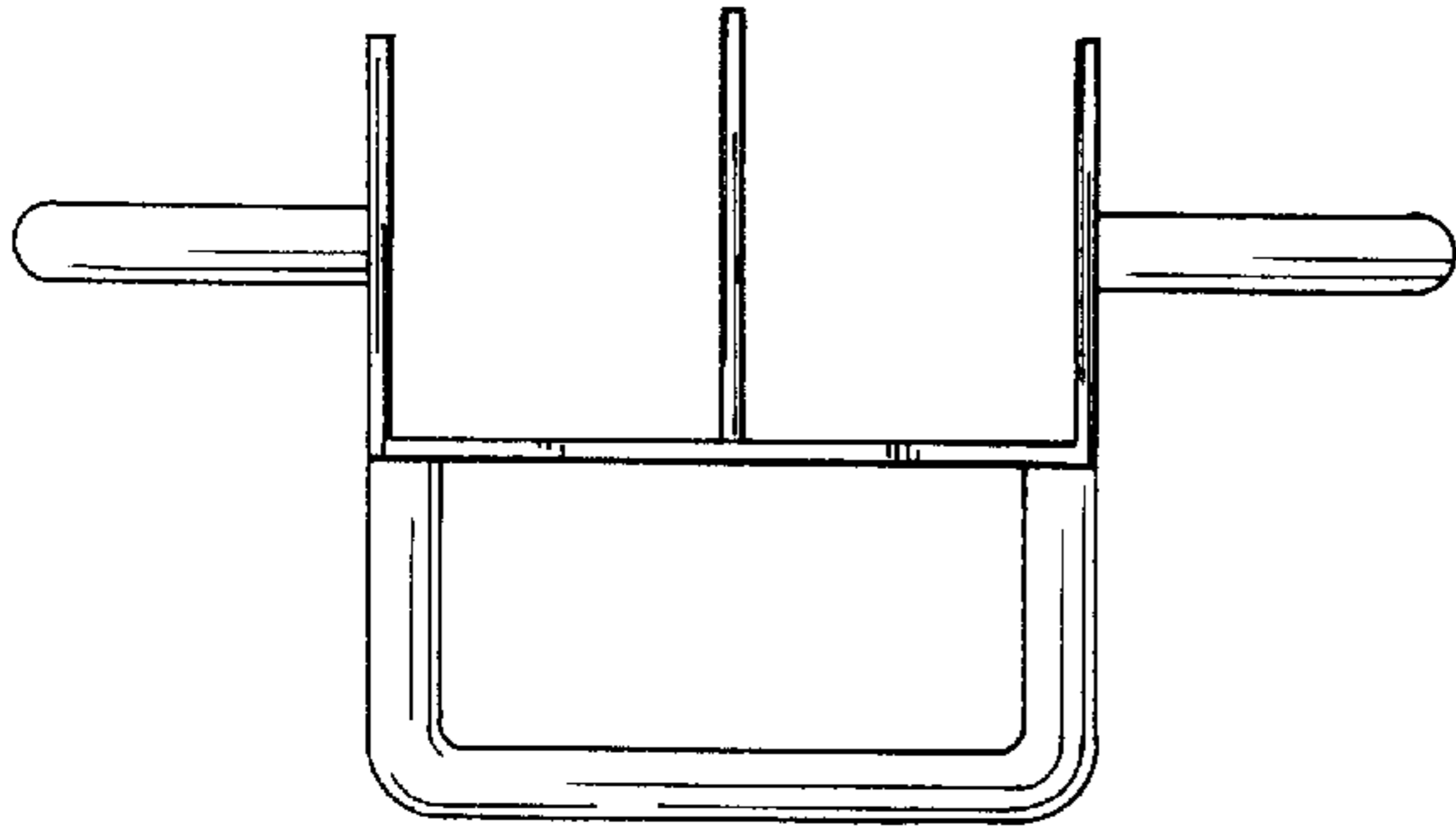


FIG. 5

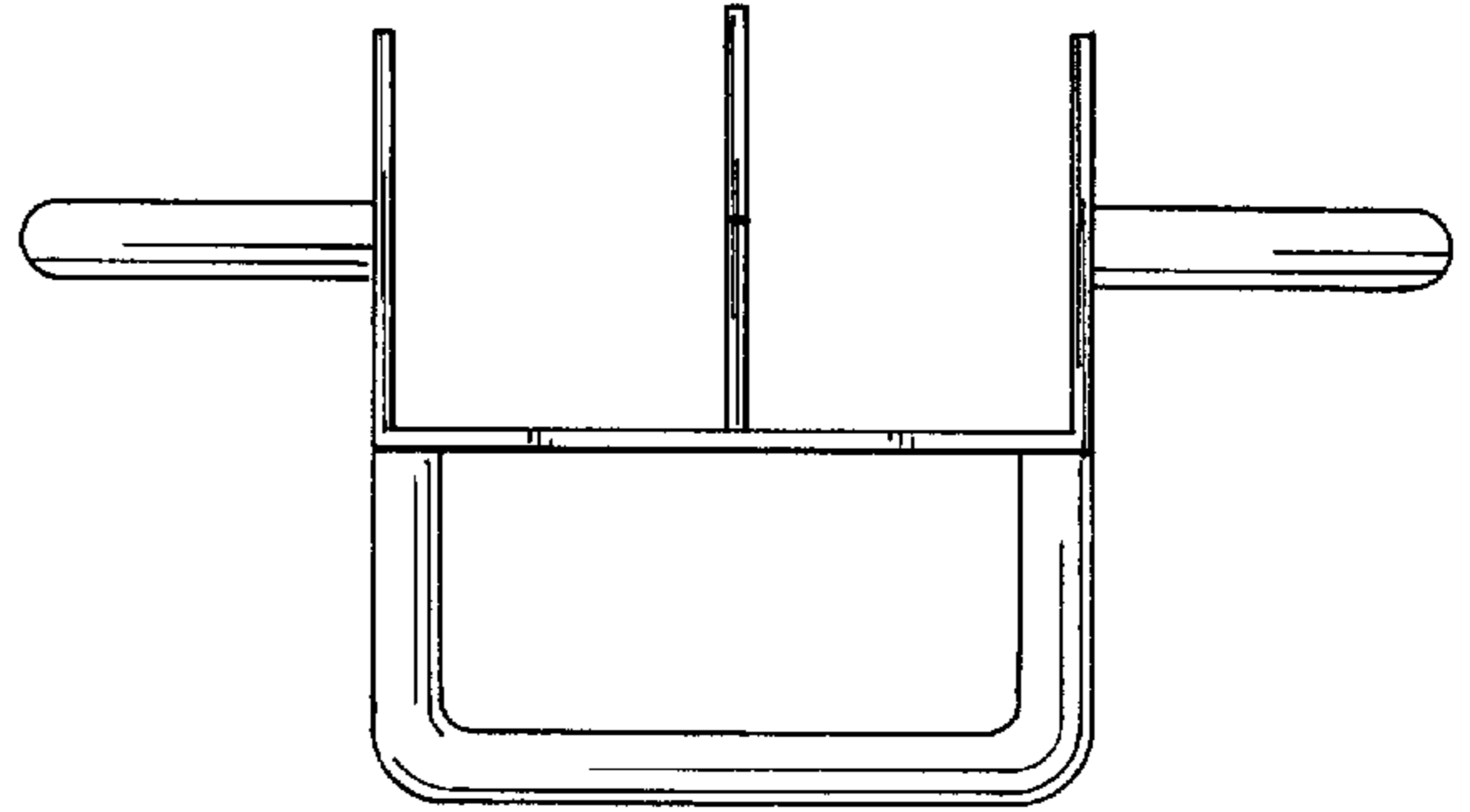


FIG. 6

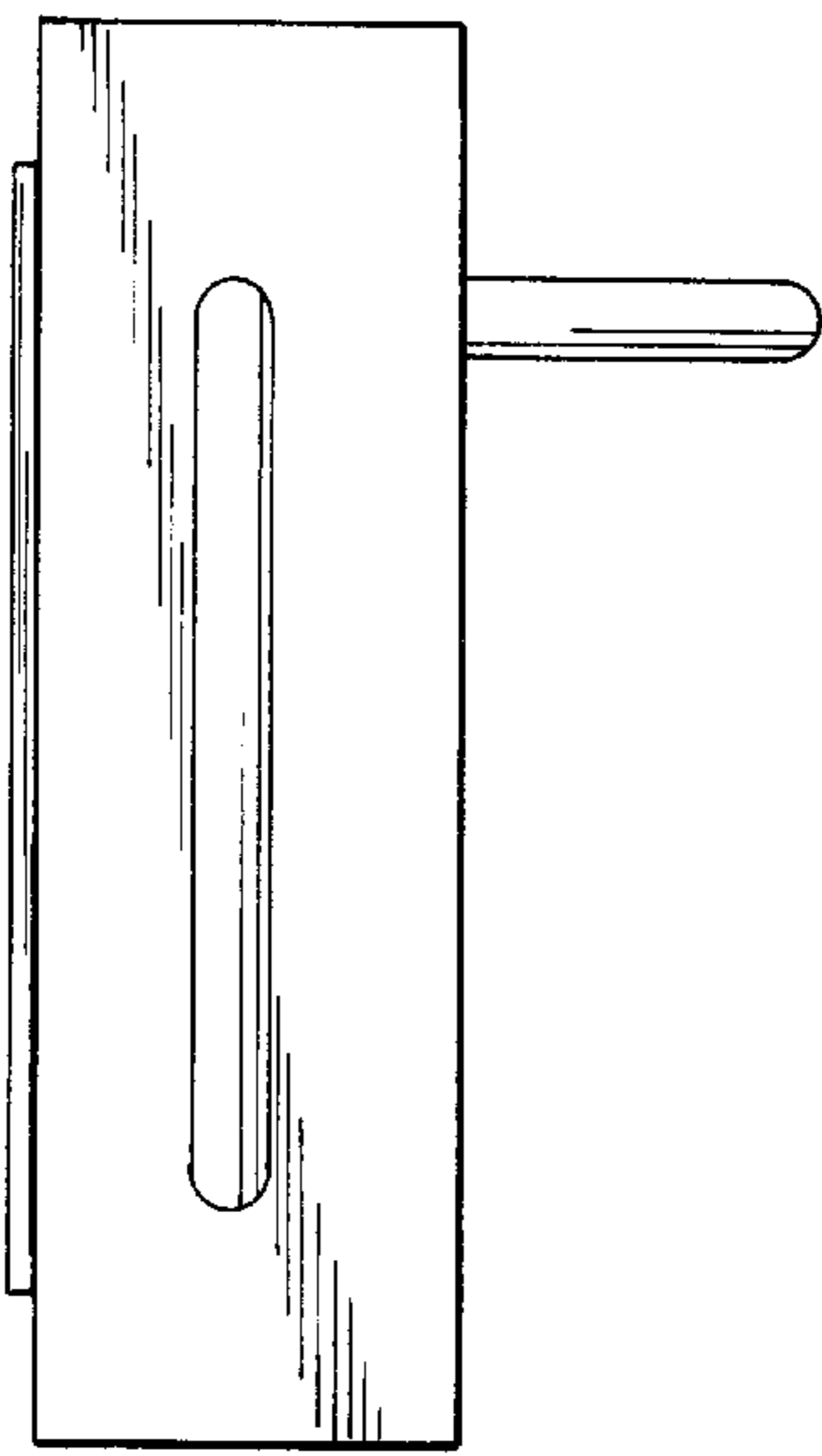


FIG. 7

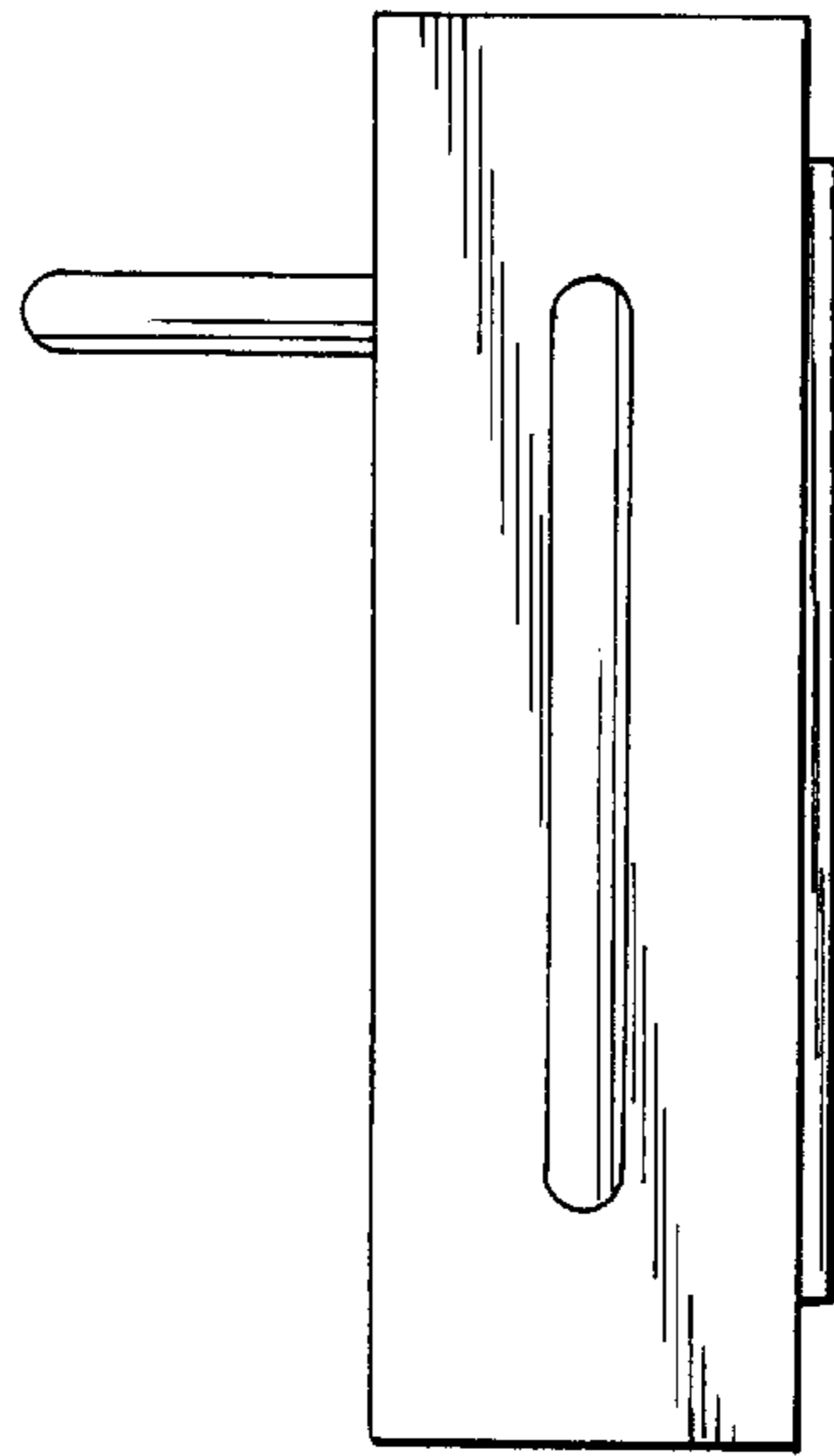


FIG. 8