



US00D407292S

# United States Patent [19] Carsello

[11] **Patent Number: Des. 407,292**

[45] **Date of Patent: \*\*Mar. 30, 1999**

[54] **PITCHER HANDLE FOR A HANDLESET**

[75] Inventor: **Anthony J. Carsello**, Chino, Calif.

[73] Assignee: **Emhart Inc.**, Newark, Del.

[\*\*] Term: **14 Years**

[21] Appl. No.: **58,263**

[22] Filed: **Aug. 9, 1996**

[51] **LOC (6) Cl.** ..... **08-06**

[52] **U.S. Cl.** ..... **D8/320; D8/319**

[58] **Field of Search** ..... **D8/300, 301, 302, D8/315-320; 16/110 R, 121**

[56] **References Cited**

**U.S. PATENT DOCUMENTS**

D. 43,561	2/1913	Weiser .	
D. 140,760	4/1945	Borchers .	
D. 175,886	10/1955	Grodt et al. .	
D. 178,660	9/1956	Hillgren .....	D8/302
D. 212,685	11/1968	Deadrick .	
D. 223,991	6/1972	Gerlach .	
D. 223,992	6/1972	Gerlach .	
D. 246,501	11/1977	Clayton .	
D. 260,360	8/1981	Meisner .	
D. 260,361	8/1981	Meisner .	
D. 300,203	3/1989	Halsted et al. .	
D. 302,103	7/1989	Halsted et al. .	
D. 303,489	9/1989	Halsted et al. .	
D. 348,200	6/1994	Carsello .	
D. 361,706	8/1995	Carsello .	
408,974	8/1889	Hoffman, Jr. .	
1,026,233	5/1912	Zacsek .	
1,059,952	4/1913	Spooner .	
1,810,350	6/1931	Hines .	
3,287,054	11/1966	Russell et al. .	

**OTHER PUBLICATIONS**

Entrance Handles by Schlage; ©1965; p. 3; Bowman handle. Penney's "Leisure Living Catalog"; 1972; p. unknown; handle F.

Kwikset Cat; ©1985; p. 8; Diplomat handle.

Sager Cat. 37; ©1937; p. 184; grip No. 3956. Sager Cat. 37; ©1937; p. 183; grip No. 3920.

*Primary Examiner*—B. J. Bullock

*Attorney, Agent, or Firm*—Spencer T. Smith; Charles E. Yocum; John D. Del Ponti

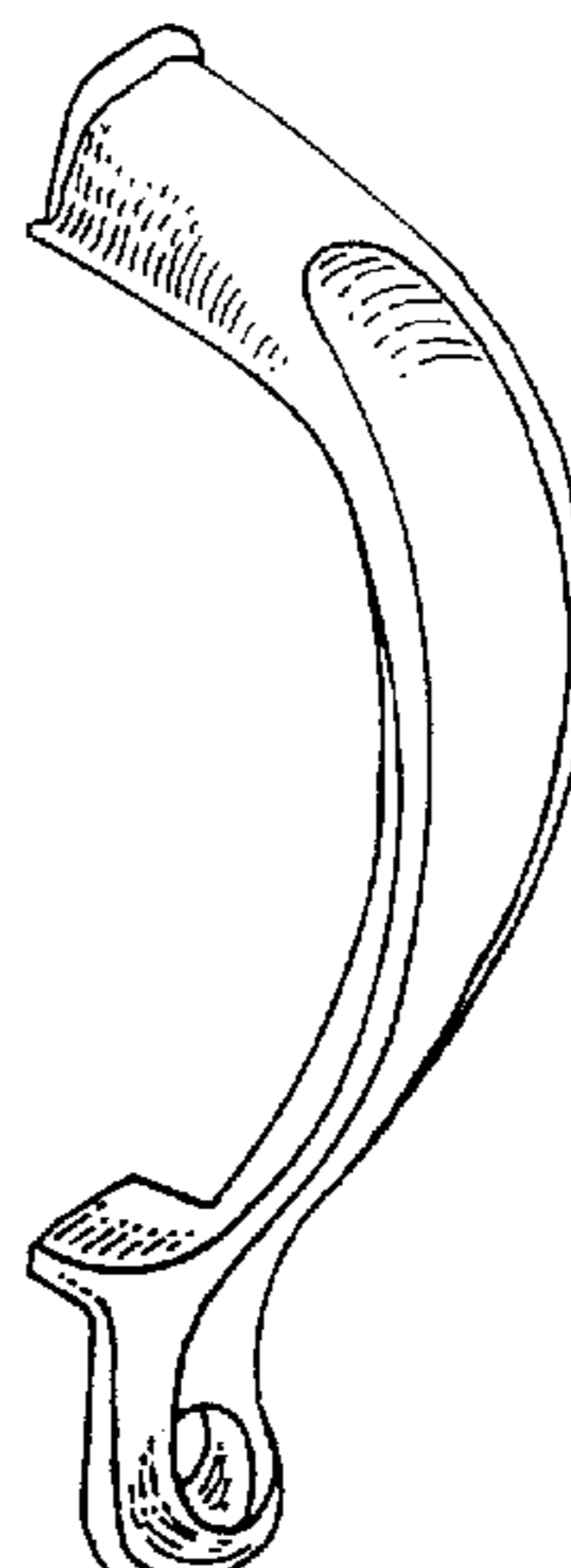
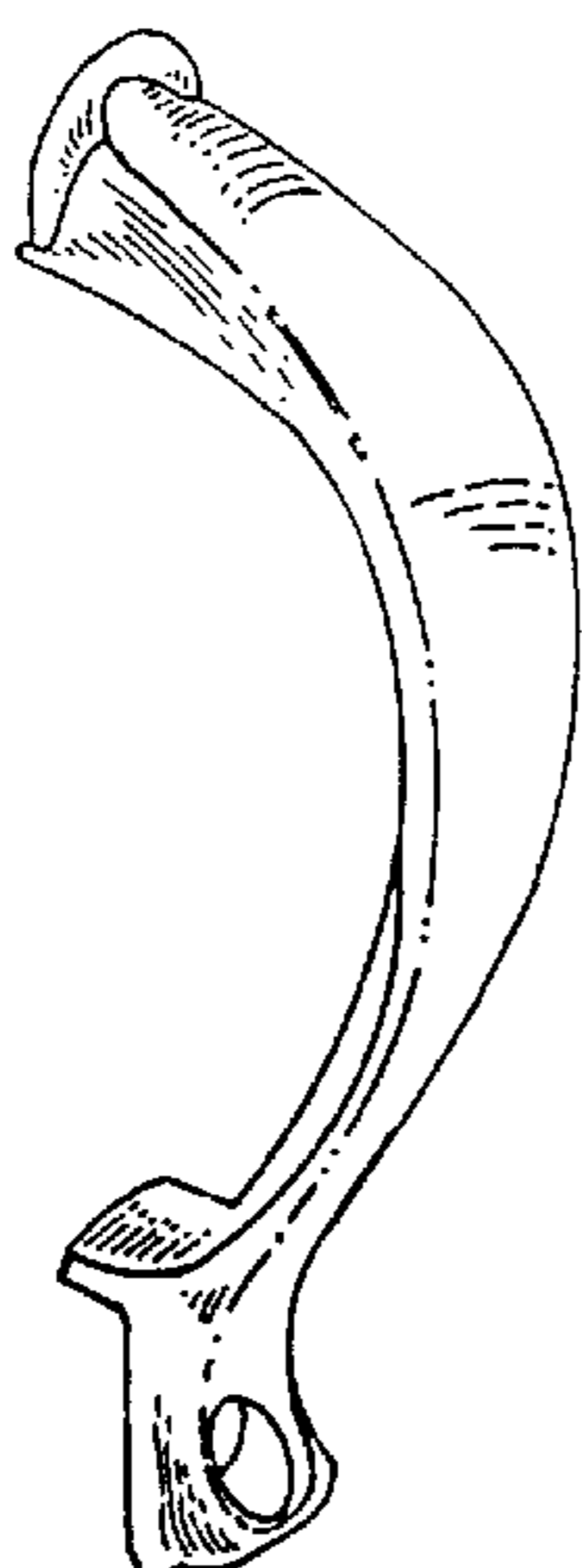
[57] **CLAIM**

I claim the ornamental design for a pitcher handle for a handleset, as shown and described.

**DESCRIPTION**

FIG. 1 is an oblique side view of a first embodiment of a pitcher handle for a handleset showing my new design; FIG. 2 is the right side view of the pitcher handle shown in FIG. 1, the left side view being a mirror image; FIG. 3 is the front view of the pitcher handle shown in FIG. 1; FIG. 4 is the top view of the pitcher handle shown in FIG. 1; FIG. 5 is the bottom view of the pitcher handle shown in FIG. 1; FIG. 6 is a cross sectional view taken along 6—6 of FIG. 2; FIG. 7 is a cross sectional view taken along 7—7 of FIG. 2; FIG. 8 is a cross sectional view taken along 8—8 of FIG. 2; FIG. 9 is an oblique side view of a second embodiment of a pitcher handle for a handleset showing my new design; FIG. 10 is the right side view of the pitcher handle shown in FIG. 9, the left side view being a mirror image; FIG. 11 is the front view of the pitcher handle shown in FIG. 9; FIG. 12 is the top view of the pitcher handle shown in FIG. 9; FIG. 13 is the bottom view of the pitcher handle shown in FIG. 9; FIG. 14 is a cross sectional view taken along 14—14 of FIG. 10; FIG. 15 is a cross sectional view taken along 15—15 of FIG. 10; and, FIG. 16 is a cross sectional view taken along 16—16 of FIG. 10.

**1 Claim, 2 Drawing Sheets**



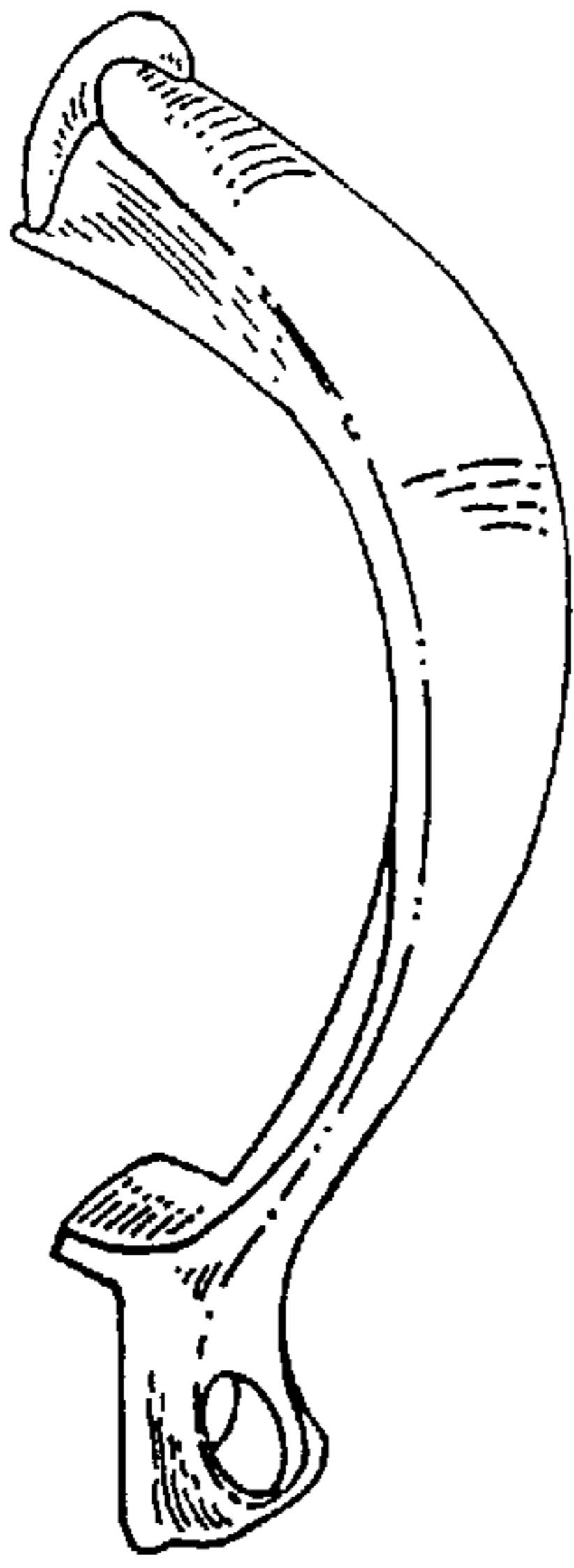


FIG 1

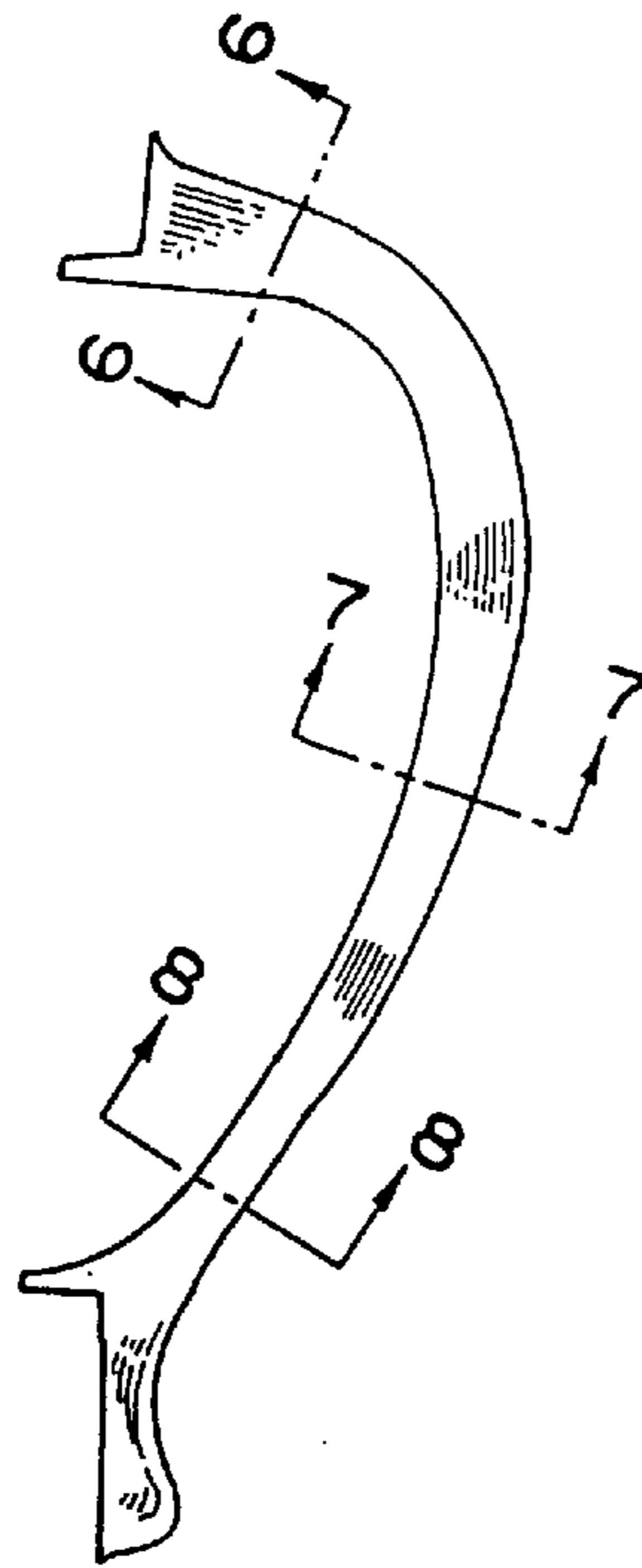


FIG 2

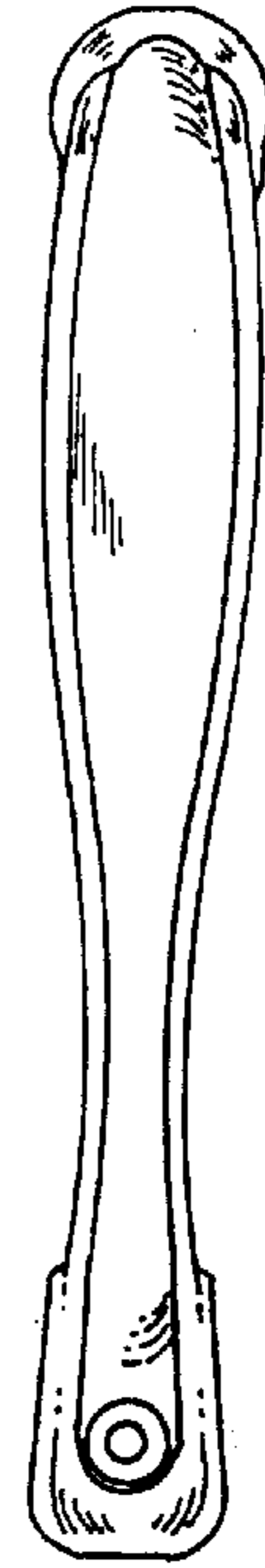


FIG 3

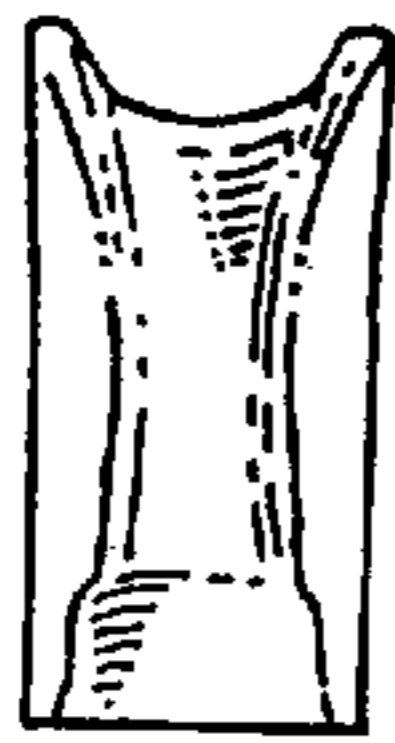


FIG 4



FIG 5

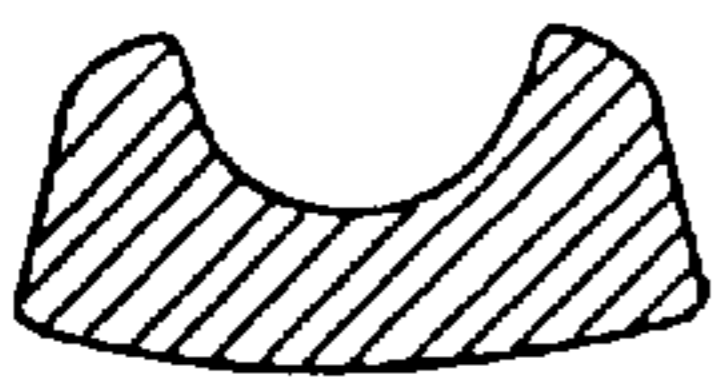


FIG 6



FIG 7



FIG 8

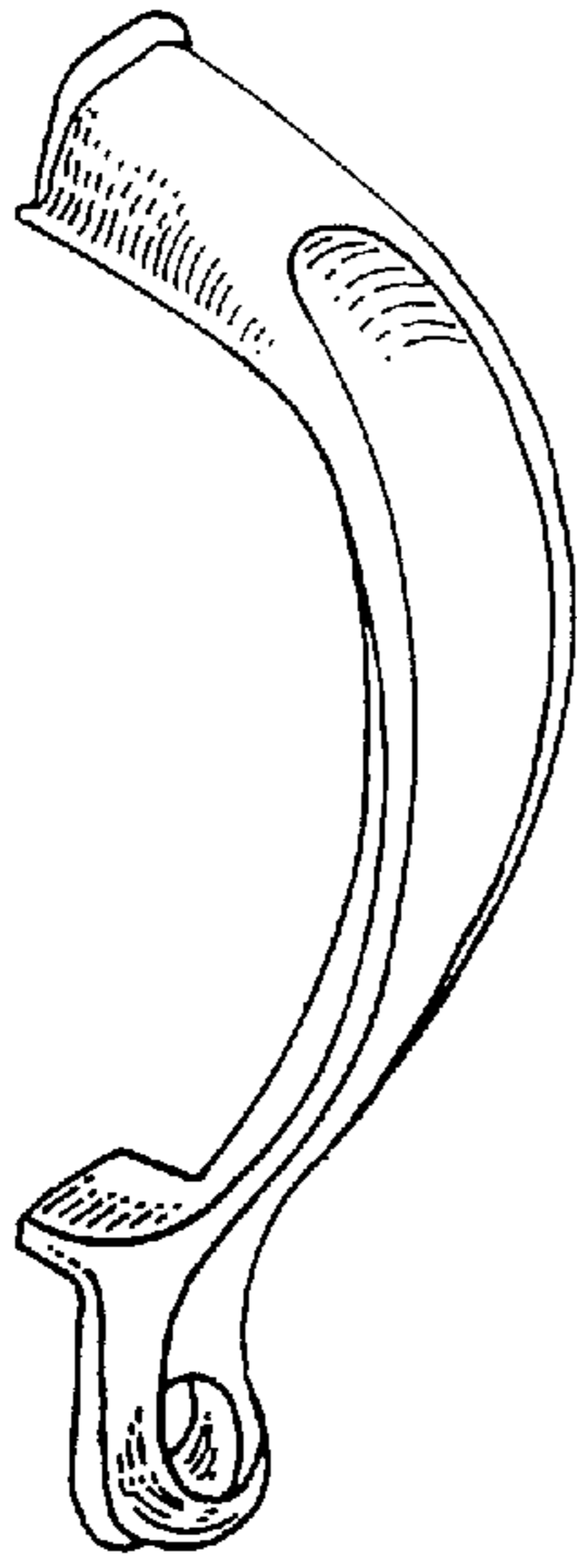


FIG 9

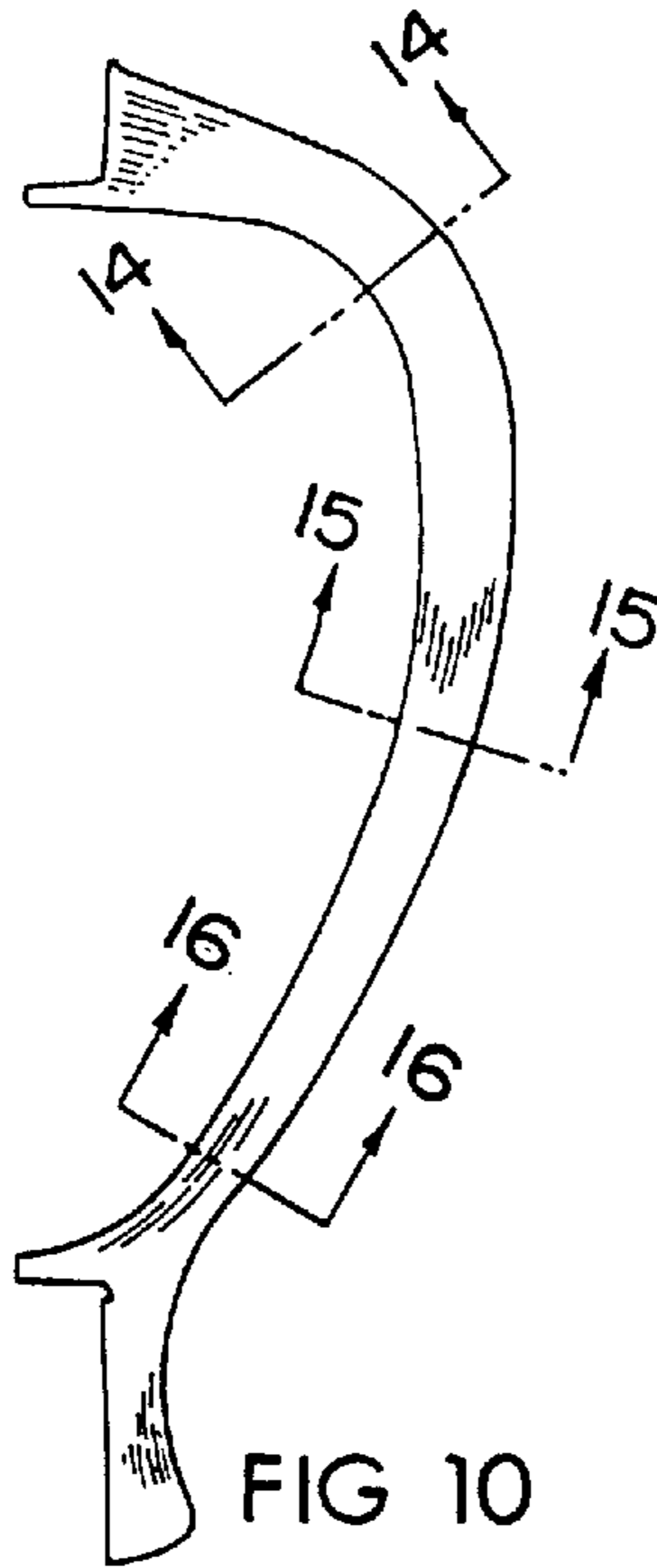


FIG 10

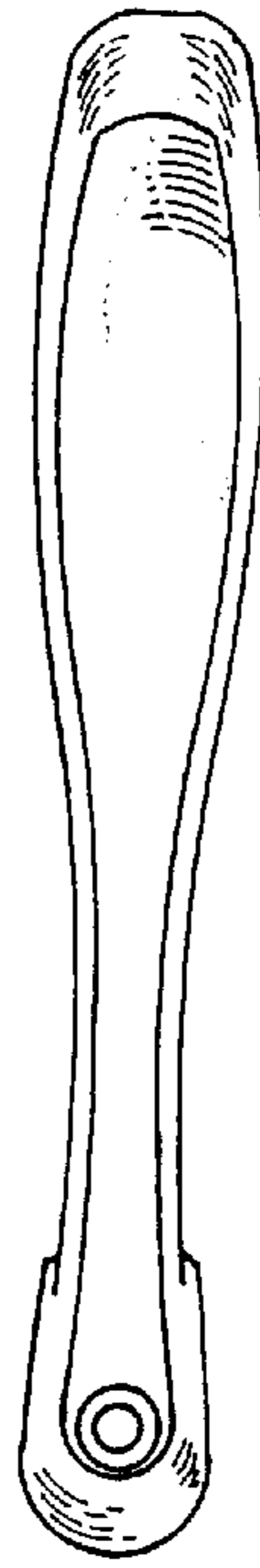


FIG 11

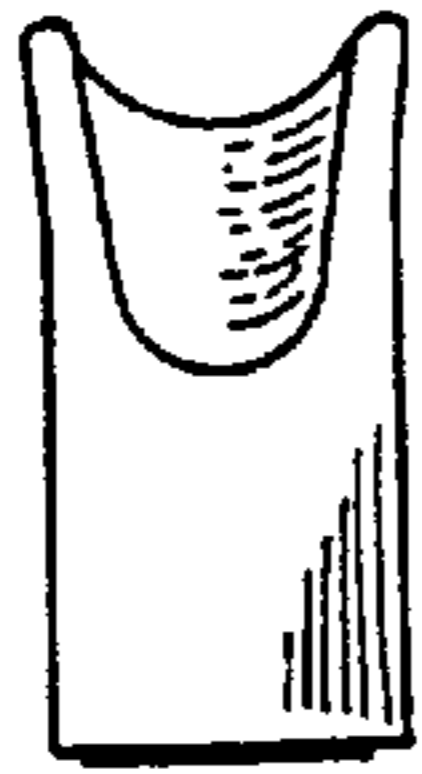


FIG 12



FIG 13



FIG 14



FIG 15



FIG 16