



US00D407290S

United States Patent [19]
Finnigan

[11] **Patent Number: Des. 407,290**

[45] **Date of Patent: **Mar. 30, 1999**

[54] **LIGHTED BIT HOLDER FOR SCREWDRIVER**

[75] Inventor: **Robert R. Finnigan**, Seattle, Wash.

[73] Assignee: **Wilmar Corporation**, Seattle, Wash.

[**] Term: **14 Years**

[21] Appl. No.: **81,860**

[22] Filed: **Dec. 18, 1997**

[51] **LOC (6) Cl.** **08-04**

[52] **U.S. Cl.** **D8/87**

[58] **Field of Search** D8/82, 83, 84,
D8/85, 86, 87; D26/38; 362/119, 120

[56] **References Cited**

U.S. PATENT DOCUMENTS

D. 197,757	3/1964	Nagamori	D8/87
D. 374,387	10/1996	Schaffer	D8/85
4,283,757	8/1981	Nalbandian et al.	362/120
4,480,295	10/1984	Shuster	362/119
5,713,656	2/1998	Lin	362/120
5,772,308	6/1998	Lin	362/120
5,785,408	7/1998	Tseng	362/119

Primary Examiner—Philip S. Hyder

Attorney, Agent, or Firm—Delbert J. Barnard

[57] **CLAIM**

The ornamental design for a lighted bit holder for screwdriver, as shown and described.

DESCRIPTION

FIG. 1 is a front view of a lighted bit holder showing the ornamental design of the present invention;

FIG. 2 is a side view of the design shown in FIG. 1;

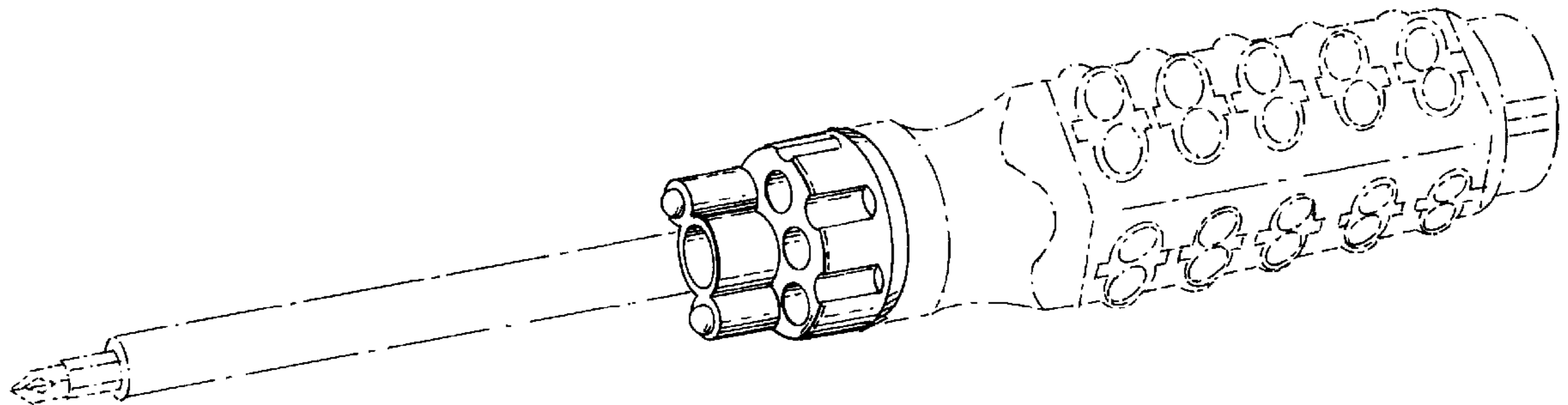
FIG. 3 is an axial top view of the design shown in FIGS. 1 and 2;

FIG. 4 is a perspective view of the design shown in FIGS. 1, 2 and 3; and,

FIG. 5 is a perspective view of the design shown in FIGS. 1, 2, 3, and 4, showing the lights in a diametrically-opposed position.

The broken line portions of the drawing figures are for illustration purposes only and form no part of the claimed design. The side of the design opposite the side shown in FIG. 1 is identical to FIG. 1. The side of the design opposite FIG. 2 is identical to FIG. 2. This is evident from inspection of FIG. 3. The bottom of FIGS. 1 and 2, also constituting a view opposite FIG. 3, does not constitute a part of the design. This is because it is covered by the handle that is shown in broken lines in FIGS. 4 and 5.

1 Claim, 2 Drawing Sheets



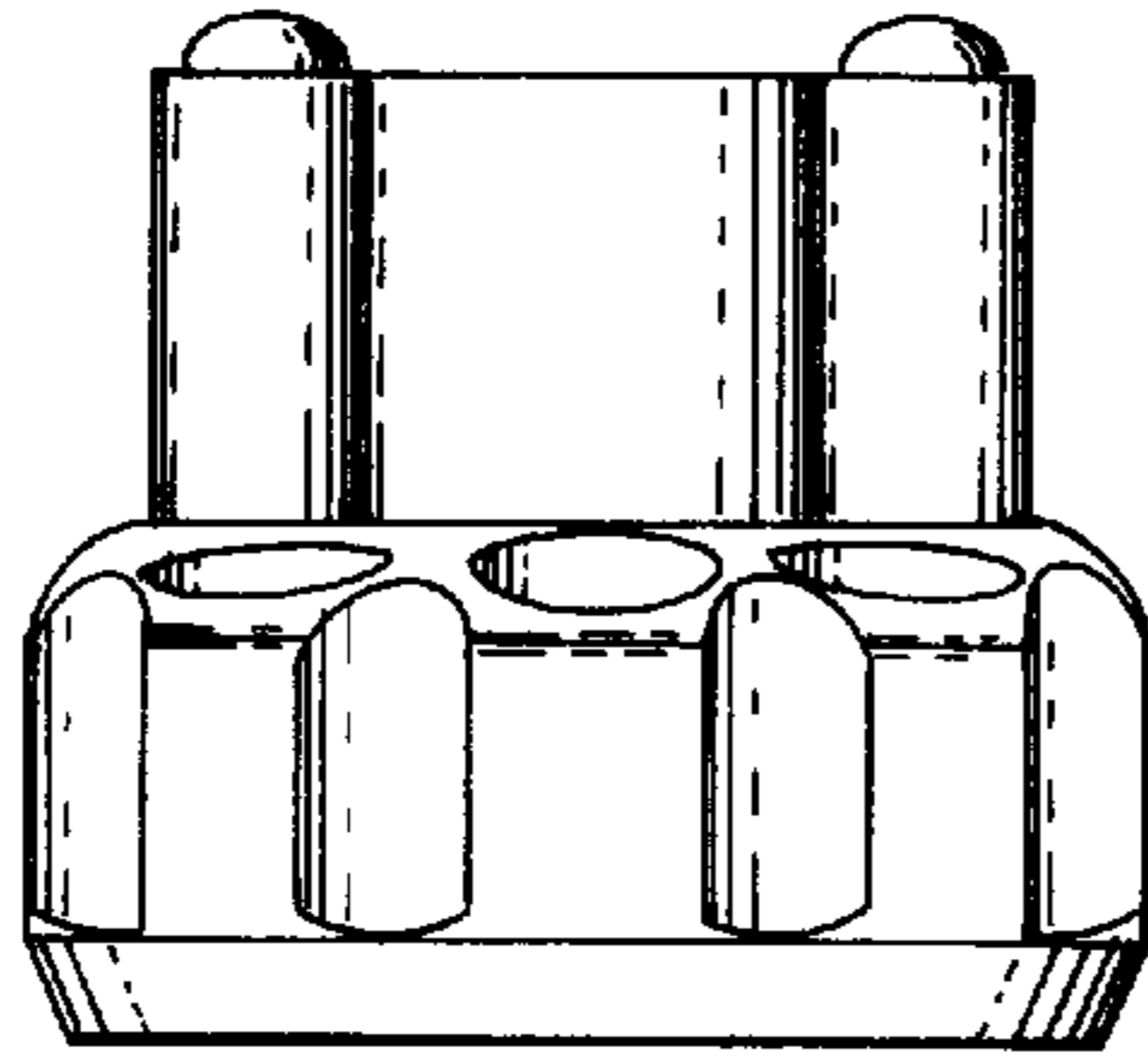


FIG. 1

FIG. 2

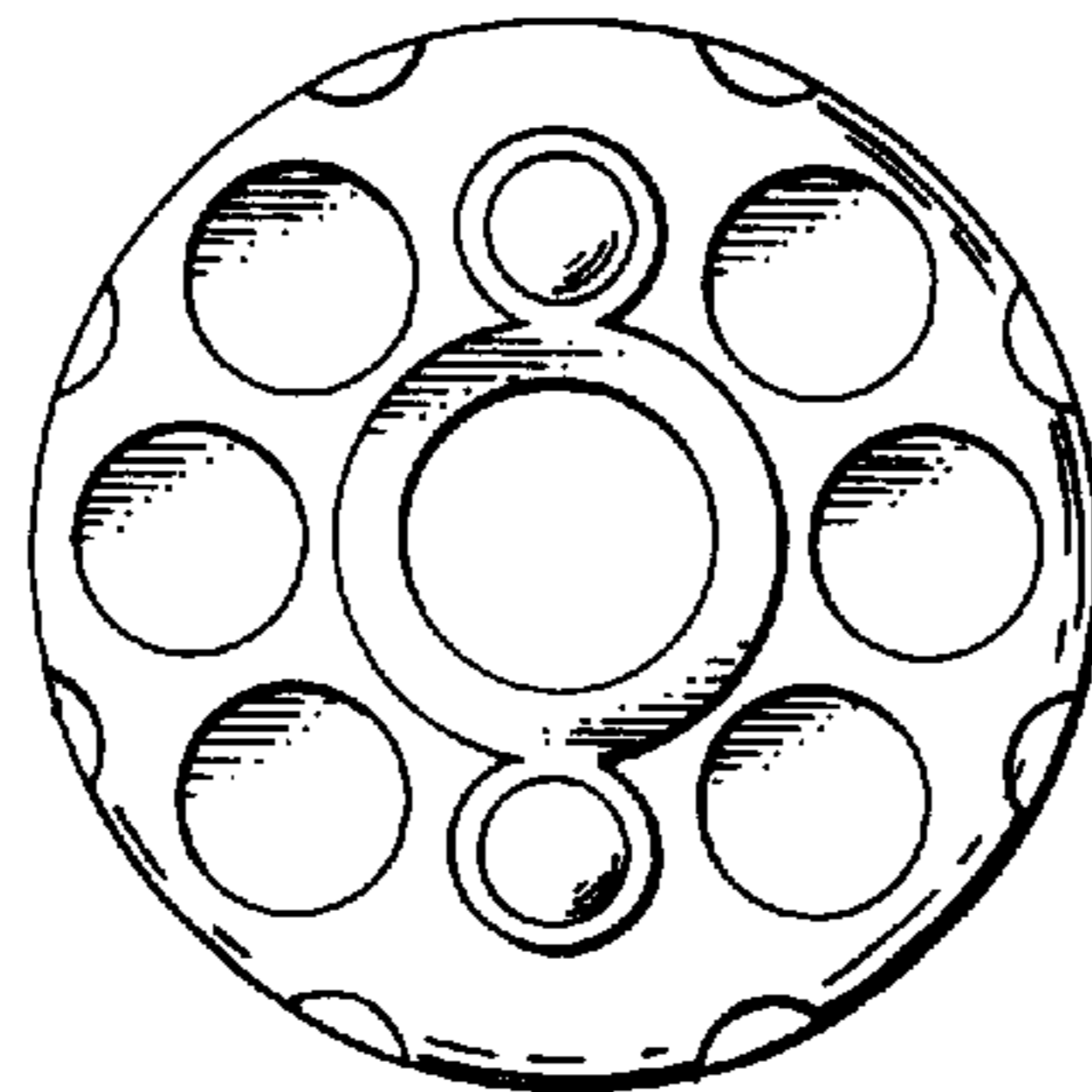
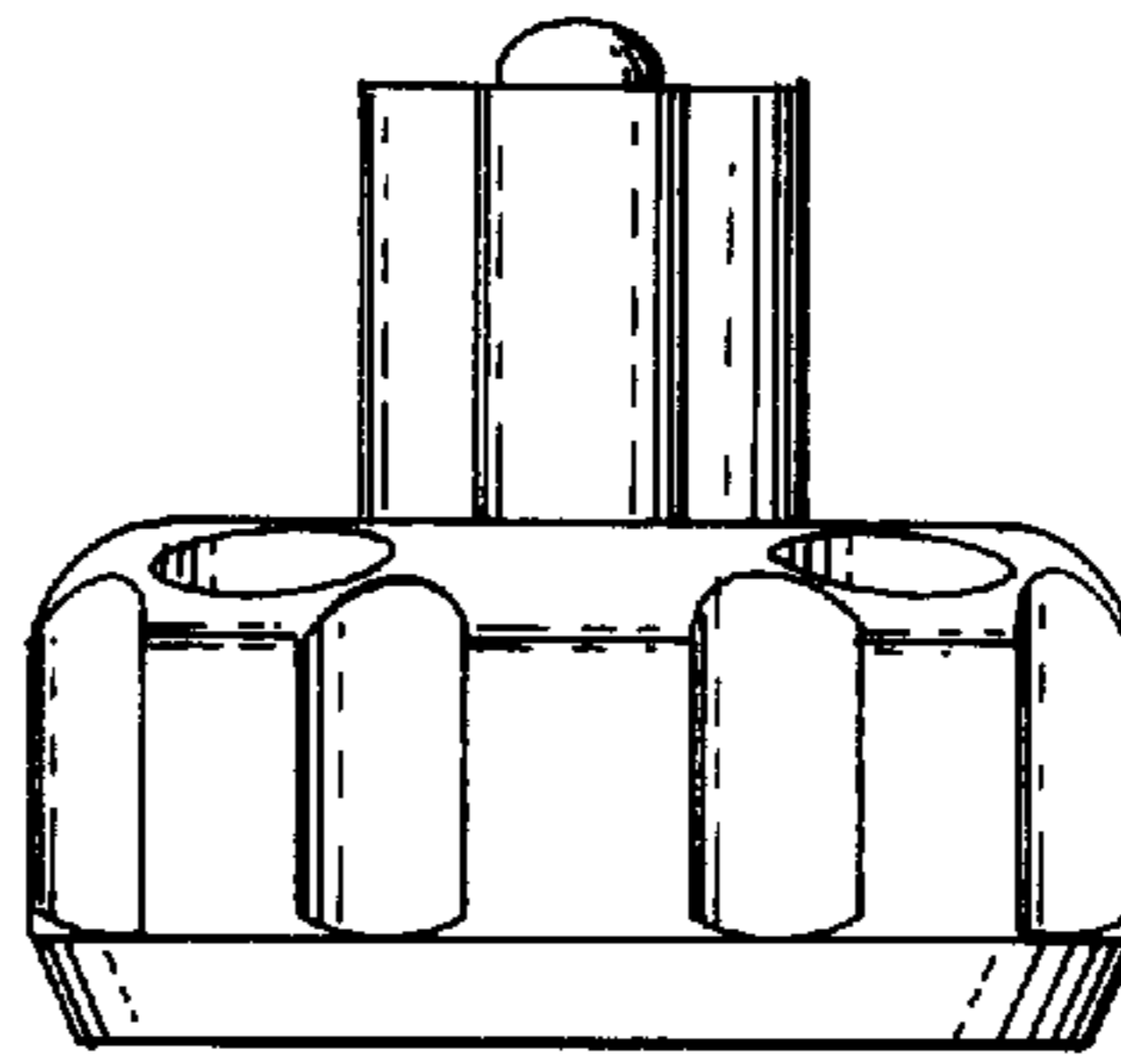


FIG. 3

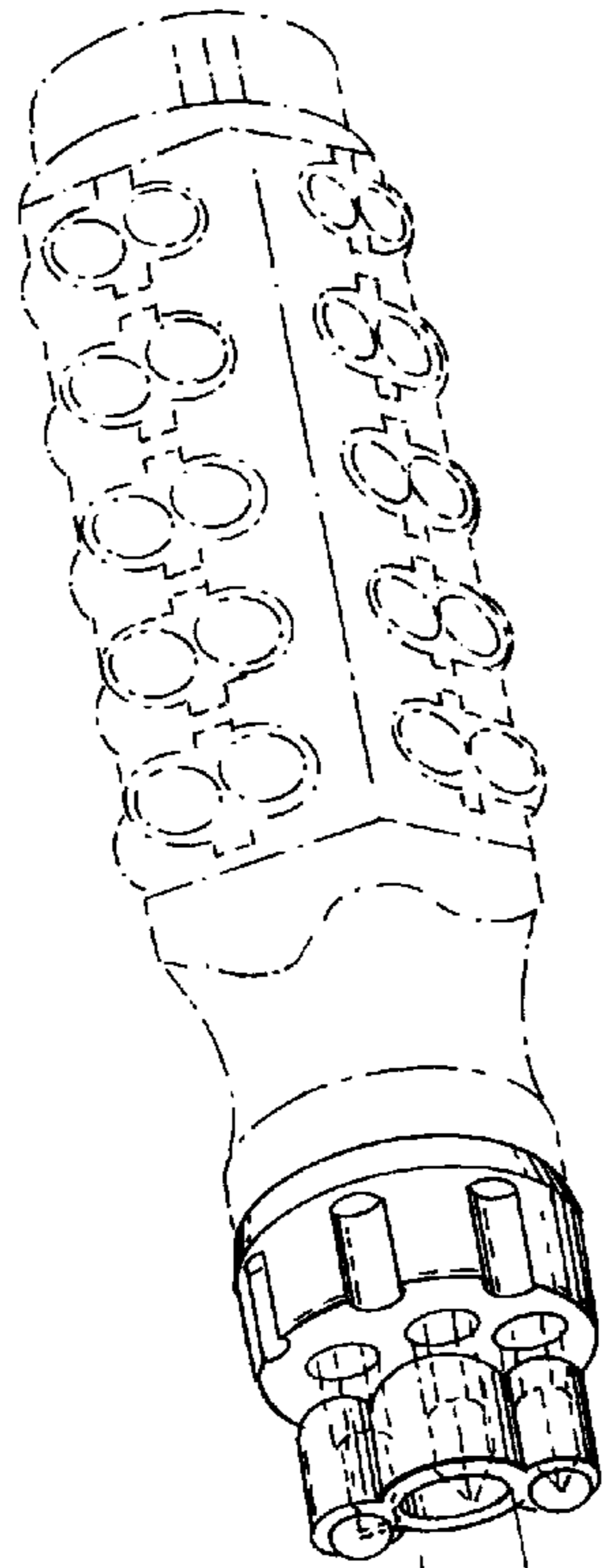


FIG. 4

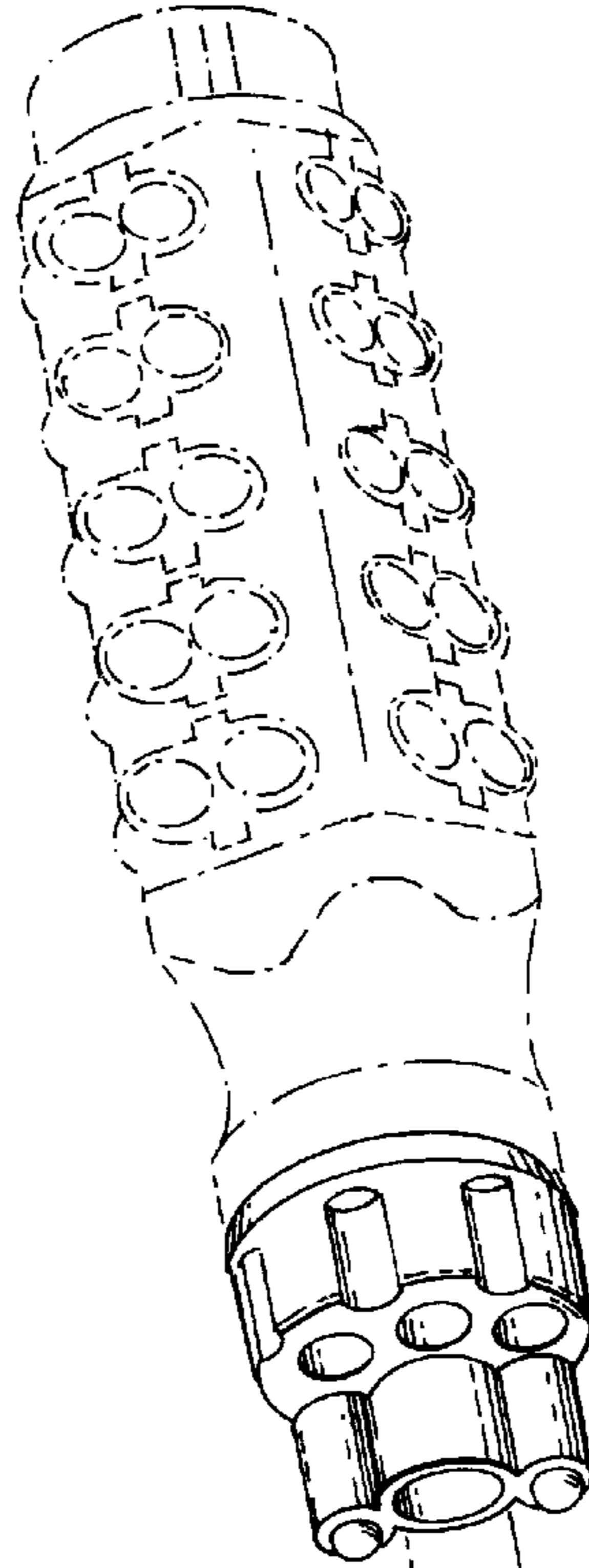


FIG. 5