



US00D407287S

United States Patent [19]

Seber et al.

[11] Patent Number: **Des. 407,287**

[45] Date of Patent: ****Mar. 30, 1999**

[54] **MULTI-PURPOSE HAND TOOL**

[75] Inventors: **Brett P. Seber; Gregory F. Rubin,**
both of Escondido, Calif.

[73] Assignee: **Valle de Oro Bank, N.A.,** La Mesa,
Calif.

[**] Term: **14 Years**

[21] Appl. No.: **82,520**

[22] Filed: **Jan. 23, 1998**

[51] **LOC (6) Cl.** **08-05**

[52] **U.S. Cl.** **D8/55; D8/52**

[58] **Field of Search** D8/51, 52, 54,
D8/55, 14, 58, 104, 105, 99; 81/440, 427.5;
30/156, 254, 329; D7/127, 128, 129, 132,
125, 138, 142, 158, 163, 164, 167, 168,
118

[56] **References Cited**

U.S. PATENT DOCUMENTS

D. 137,408	3/1944	Frisk .	
D. 286,501	11/1986	Magan .	
295,885	3/1884	Pullman .	
D. 327,826	7/1992	Neff	D8/52
D. 338,386	8/1993	Frazer .	
D. 356,019	3/1995	Sakai .	
D. 367,807	3/1996	Hung	D8/105
D. 368,634	4/1996	Frazer	D8/105
D. 382,182	8/1997	Seber et al.	D8/55
542,601	7/1895	Baker .	
589,392	8/1897	Kolar .	
592,766	11/1897	Clutz .	
596,096	12/1897	Watts .	
614,537	11/1898	Dahlquist .	
649,334	5/1900	Meloos .	
662,005	11/1900	Lewis .	
790,432	5/1905	Heilrath .	
857,459	6/1907	Hendrickson .	
858,003	6/1907	Klever .	
896,746	8/1908	McCarty .	
988,068	3/1911	Beardsley et al. .	

1,174,132	3/1916	Dragun .	
1,184,746	5/1916	Hanson .	
1,187,842	6/1916	Kaas	7/168

(List continued on next page.)

FOREIGN PATENT DOCUMENTS

0783938A2	7/1997	European Pat. Off. .	
2463	1/1869	France .	
30788	3/1885	Germany .	
1002145	3/1983	Russian Federation .	
17248	6/1896	United Kingdom .	
20299	11/1902	United Kingdom .	
15859	9/1904	United Kingdom .	
13254	9/1905	United Kingdom .	
186520	10/1922	United Kingdom .	

Primary Examiner—Freda Nunn
Attorney, Agent, or Firm—Kelly Bauersfeld Lowry & Kelley, LLP

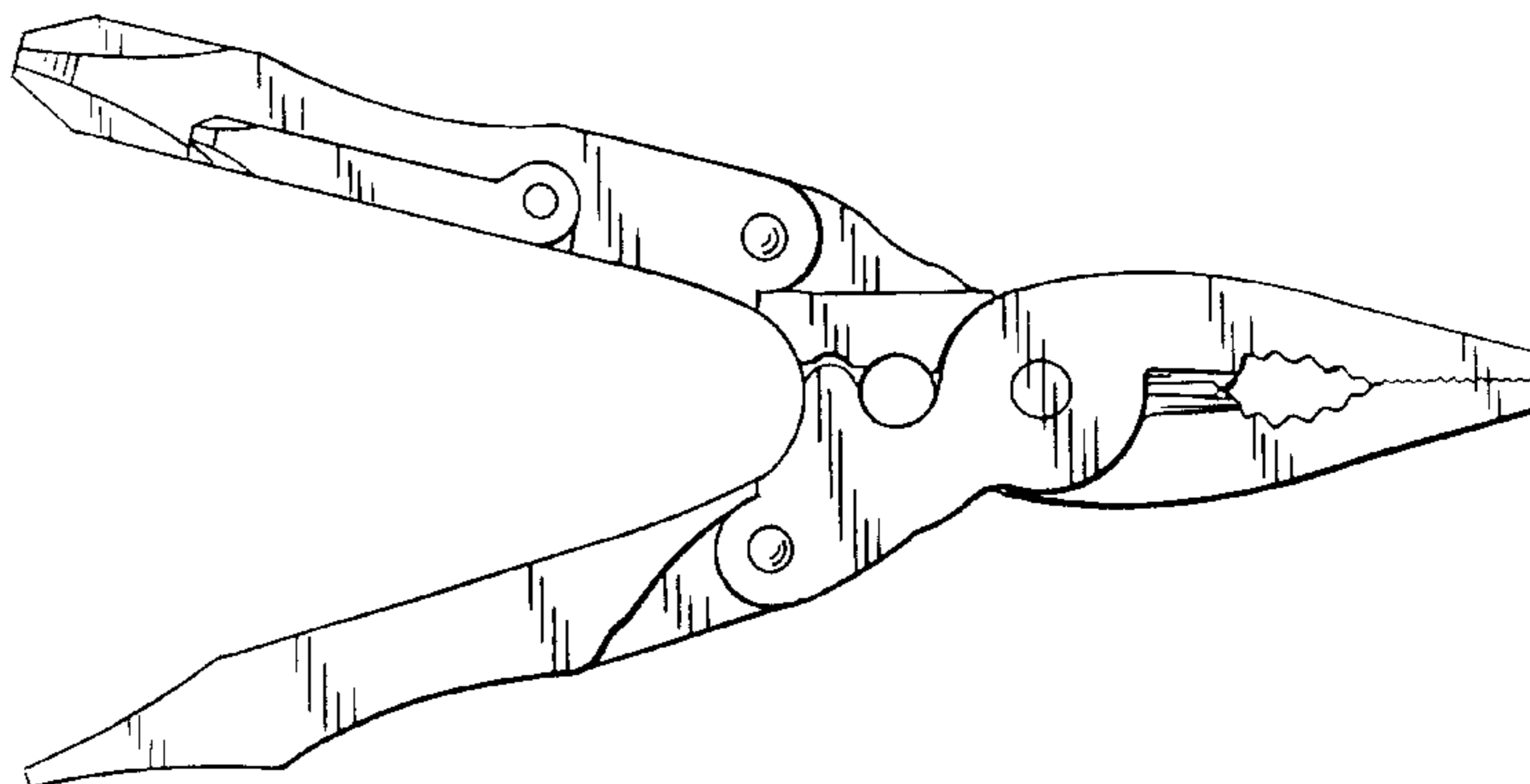
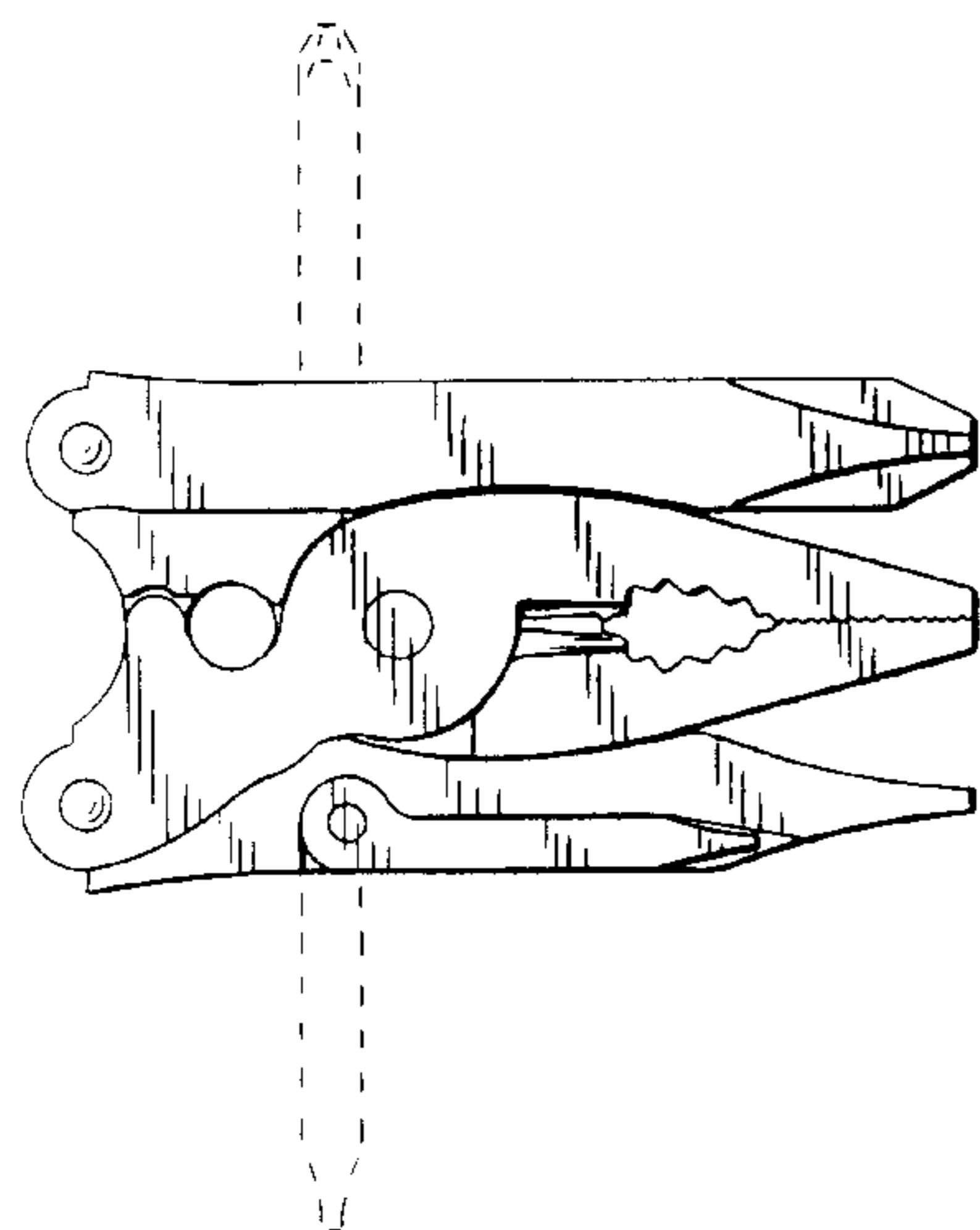
[57] **CLAIM**

The ornamental design for a multi-purpose hand tool, as shown and described.

DESCRIPTION

FIG. 1 is a top plan view of a multi-purpose hand tool embodying my new design, with the handles in the folded position, wherein screwdrivers attached to the handles are illustrated in an extended position in phantom and form no part of the claimed design; FIG. 2 is a bottom plan view thereof; FIG. 3 is a left side elevational view thereof; FIG. 4 is a right side elevational view thereof; FIG. 5 is a front elevational view thereof; FIG. 6 is a rear elevational view thereof; FIG. 7 is a top plan view of the multi-purpose hand tool with the handles in the folded open position; FIG. 8 is a bottom plan view thereof; FIG. 9 is a left side elevational view thereof; FIG. 10 is a right side elevational view thereof; FIG. 11 is front elevational view thereof; and, FIG. 12 is a rear elevational view thereof.

1 Claim, 3 Drawing Sheets



U.S. PATENT DOCUMENTS

1,194,296	8/1916	McNally .	2,747,446	5/1956	Eder .
1,334,425	3/1920	Wernimont .	2,779,098	1/1957	Pocoski et al. .
1,370,906	3/1921	Newton .	2,814,108	11/1957	Bassett .
1,467,661	9/1923	Undy .	3,044,081	7/1962	Robinson, Jr. .
1,474,592	11/1923	Jacoby .	3,364,508	1/1968	Garrett .
1,486,725	3/1924	Brown .	3,798,687	3/1974	Stevens .
1,511,340	10/1924	Jackson .	4,238,862	12/1980	Leatherman .
1,524,694	2/1925	Maio .	4,502,220	3/1985	Aoki .
1,551,328	8/1925	Perry .	4,512,051	4/1985	Magan .
1,561,833	11/1925	Cruickshank .	4,744,272	5/1988	Leatherman .
1,561,993	11/1925	Nielsen .	4,805,303	2/1989	Gibbs .
1,619,181	3/1927	Beretz .	4,888,869	12/1989	Leatherman .
2,057,201	10/1936	McCluskey .	5,044,079	9/1991	Gibbs .
2,514,130	7/1950	Jones .	5,062,173	11/1991	Collins et al. .
2,561,682	7/1951	Barnett .	5,142,721	9/1992	Sessions et al. .
2,575,652	11/1951	Bovee .	5,267,366	12/1993	Frazer .
2,606,471	8/1952	Kollweck .	5,320,004	6/1994	Hsiao .
2,641,149	6/1953	Petersen .	5,491,856	2/1996	Legg .

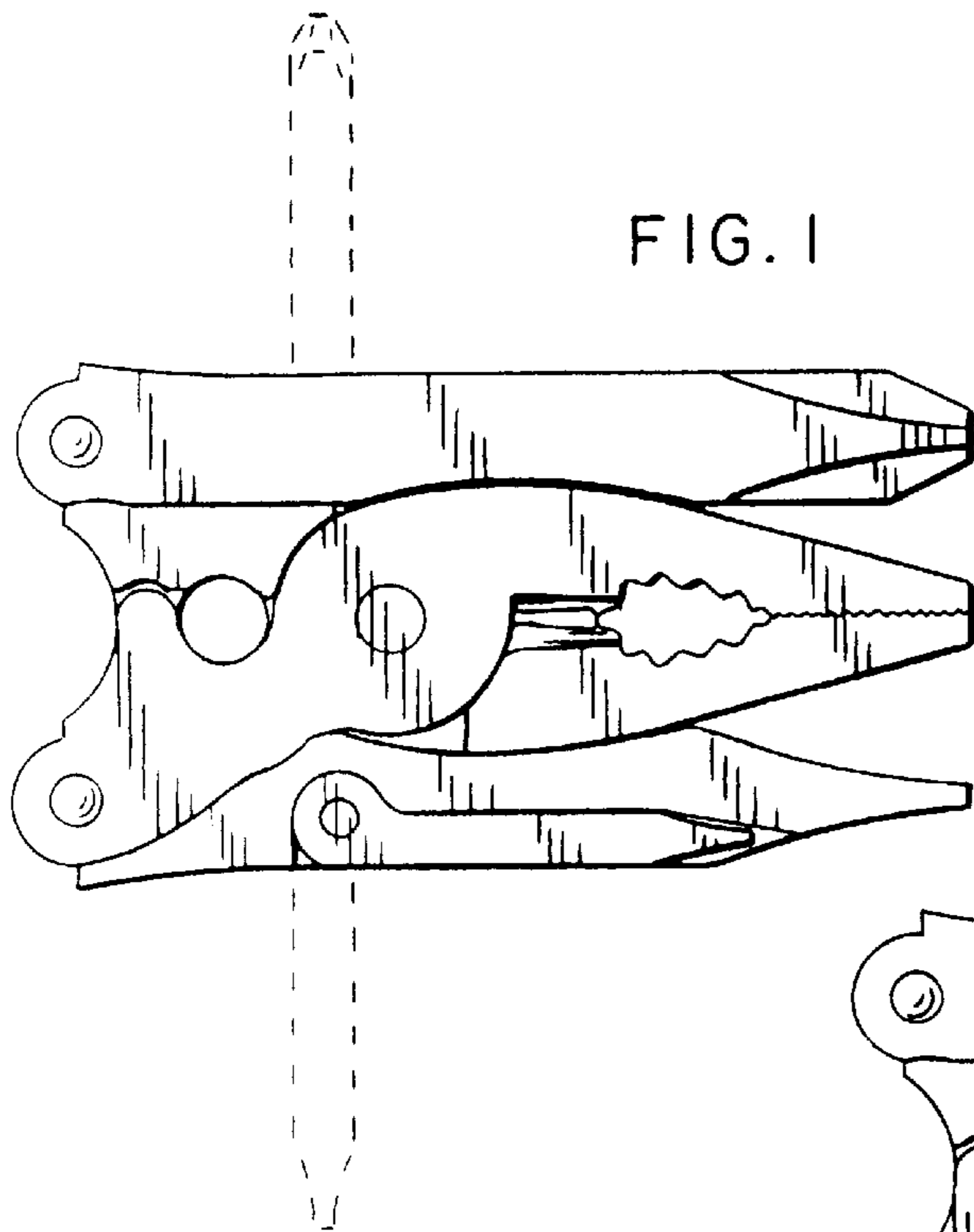


FIG. 1

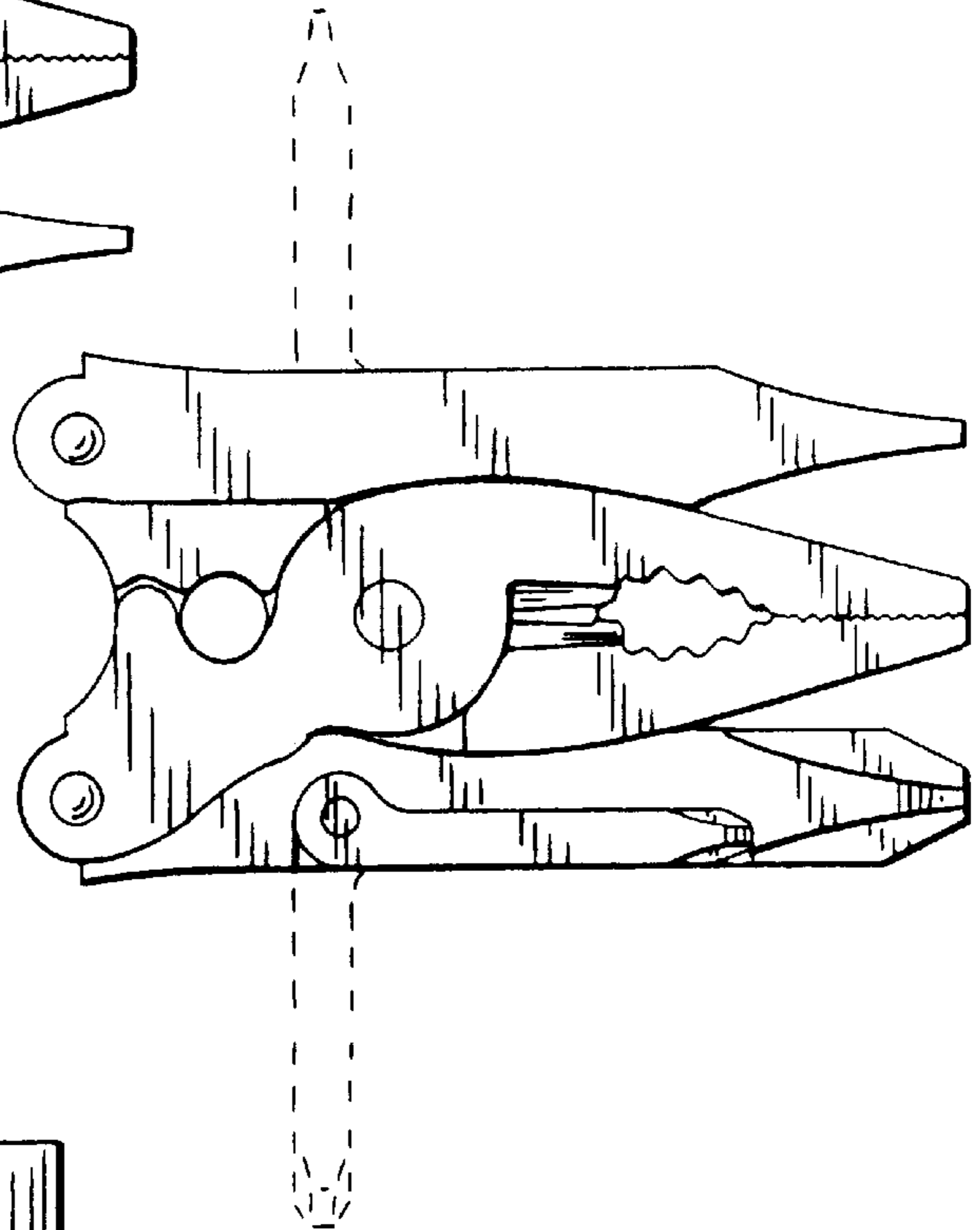


FIG. 2

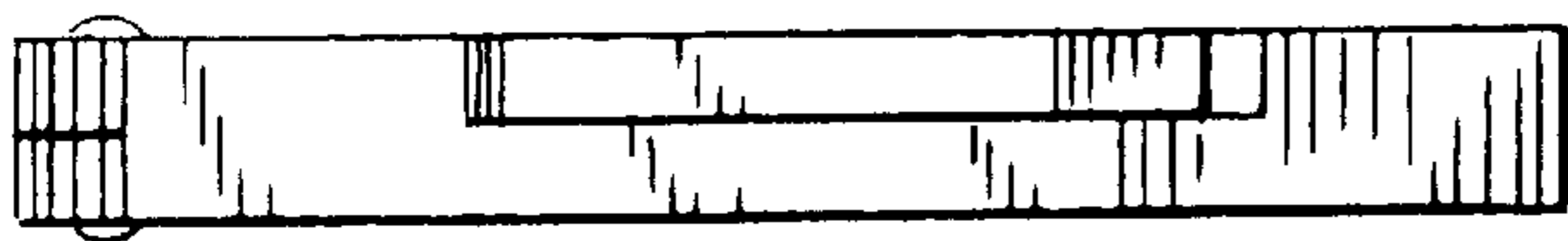


FIG. 3

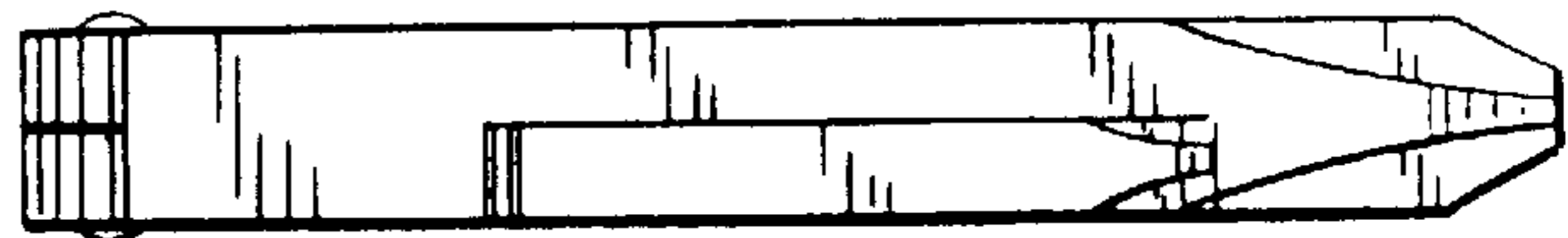


FIG. 4



FIG. 5



FIG. 6

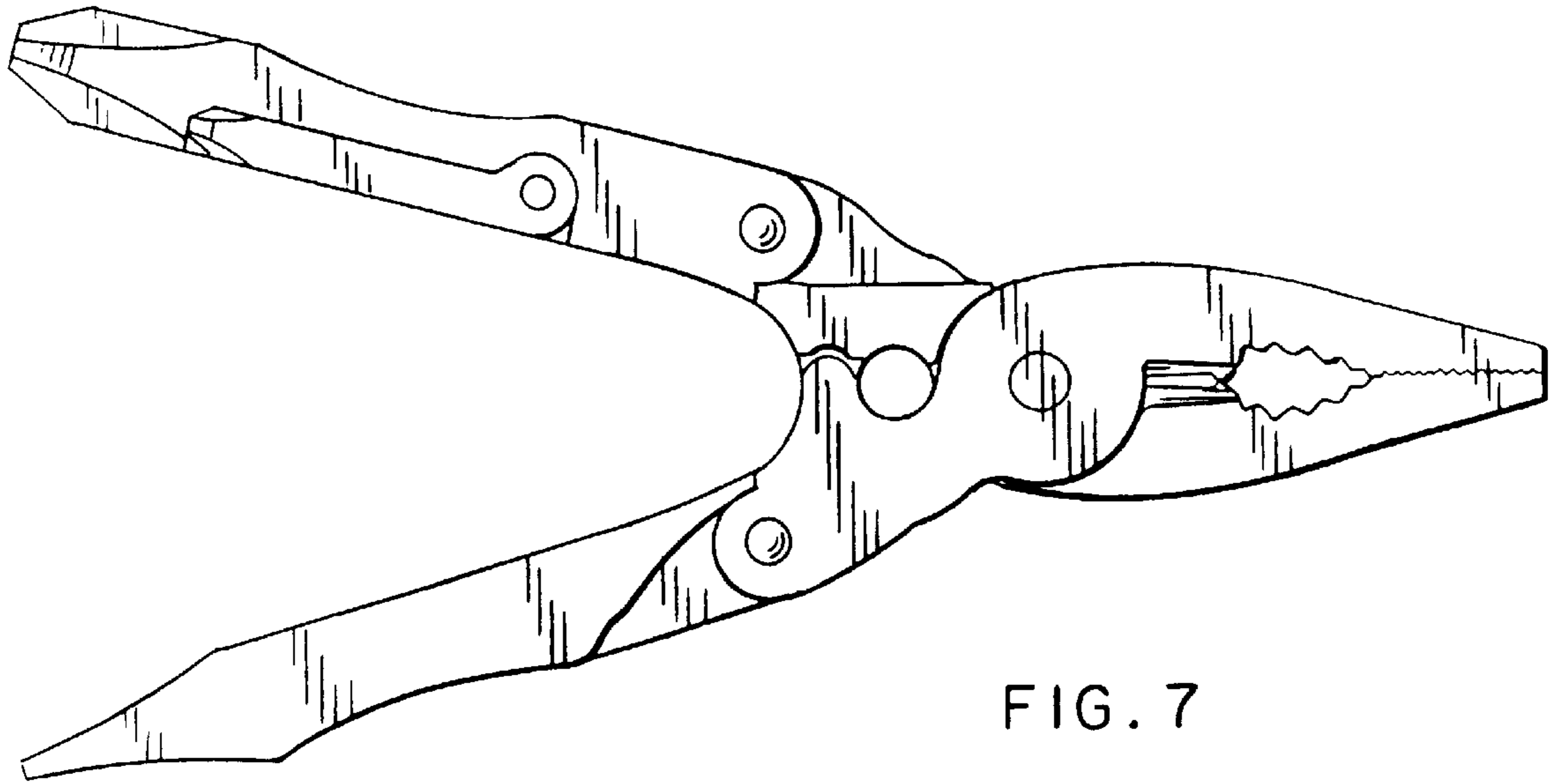


FIG. 7

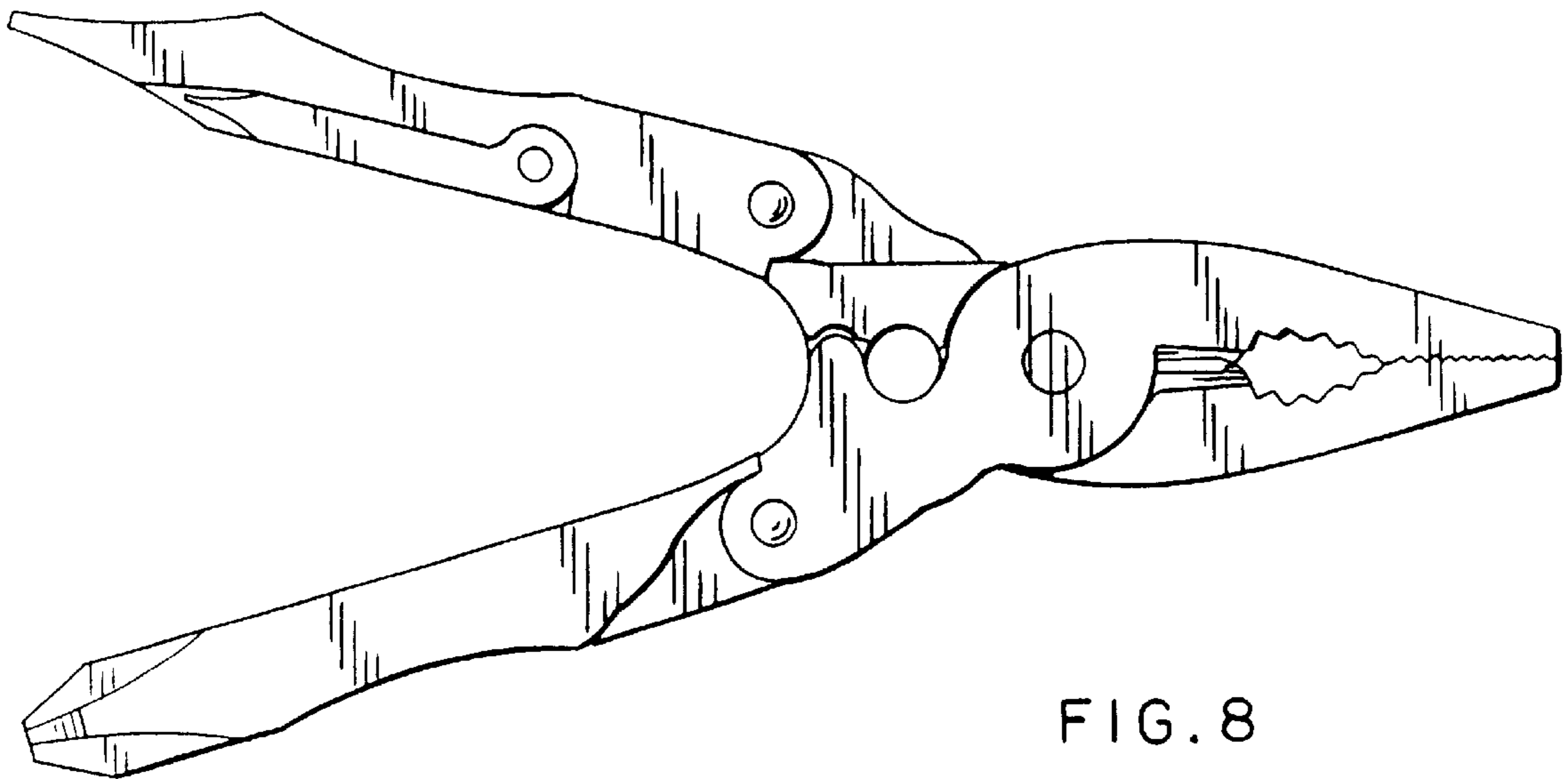


FIG. 8



FIG. 9

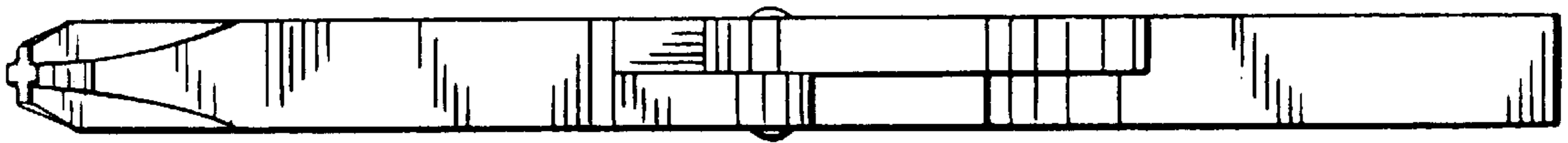


FIG. 10

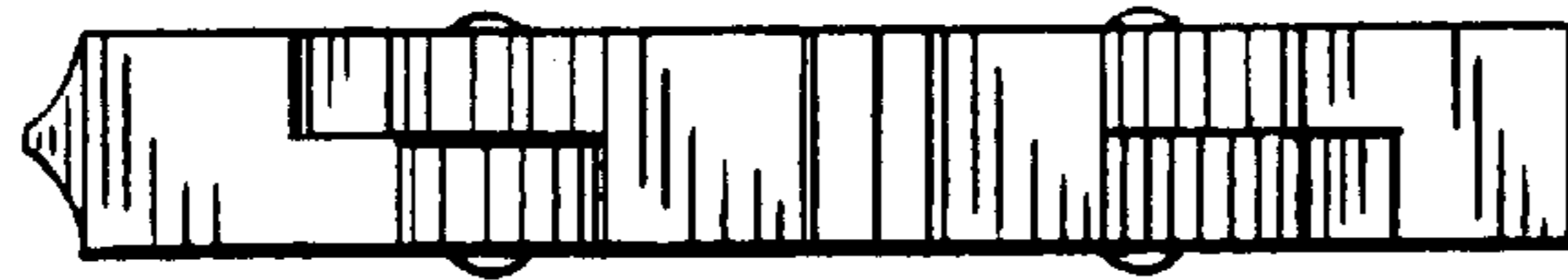


FIG. 11



FIG. 12