



US00D407286S

United States Patent [19]

Seber et al.

[11] Patent Number: Des. 407,286

[45] Date of Patent: **Mar. 30, 1999

[54] MULTI-PURPOSE HAND TOOL

[75] Inventors: **Brett P. Seber; Gregory F. Rubin,**
both of Escondido, Calif.

[73] Assignee: **Valle de Oro Bank, N.A.,** La Mesa,
Calif.

[**] Term: **14 Years**

[21] Appl. No.: **82,473**

[22] Filed: **Jan. 23, 1998**

[51] LOC (6) Cl. **08-05**

[52] U.S. Cl. **D8/55**

[58] Field of Search D8/14, 51, 52,
D8/54, 55, 58, 99, 104, 105; 7/127-129,
118, 125, 132, 138, 142, 158, 163, 164,
167, 168; 81/440, 427.5; 30/156, 329, 254

[56] References Cited

U.S. PATENT DOCUMENTS

- D. 137,408 3/1944 Frisk .
- D. 286,501 11/1986 Magan .
- 295,885 3/1884 Pullman .
- D. 327,826 7/1992 Neff D8/52
- D. 338,386 8/1993 Frazer .
- D. 356,019 3/1995 Sakai .
- D. 367,807 3/1996 Hung D8/105
- D. 368,634 4/1996 Frazer D8/105
- D. 382,182 8/1997 Seber et al. D8/55
- 542,601 7/1895 Baker .
- 589,392 8/1897 Kolar .
- 592,766 11/1897 Clutz .
- 596,096 12/1897 Watts .
- 614,537 11/1898 Dahlquist .
- 649,334 5/1900 Meloos .
- 662,005 11/1900 Lewis .
- 790,432 5/1905 Heilrath .
- 857,459 6/1907 Hendrickson .
- 858,003 6/1907 Klever .
- 896,746 8/1908 McCarty .
- 988,068 3/1911 Beardsley et al. .
- 1,174,132 3/1916 Dragun .
- 1,184,746 5/1916 Hanson .
- 1,187,842 6/1916 Kaas 7/168

- 1,194,296 8/1916 McNally .
- 1,334,425 3/1920 Wernimont .
- 1,370,906 3/1921 Newton .
- 1,467,661 9/1923 Undy .
- 1,474,592 11/1923 Jacoby .
- 1,486,725 3/1924 Brown .

(List continued on next page.)

FOREIGN PATENT DOCUMENTS

- 0783938A2 7/1997 European Pat. Off. .
- 2463 1/1869 France .
- 30788 3/1885 Germany .
- 1002145 3/1983 U.S.S.R. .
- 17248 of 1896 United Kingdom .
- 20299 of 1902 United Kingdom .
- 15859 of 1904 United Kingdom .
- 13254 of 1905 United Kingdom .
- 186520 10/1922 United Kingdom .

Primary Examiner—Freda Nunn
Attorney, Agent, or Firm—Kelly Bauersfeld Lowry & Kelley, LLP

[57] CLAIM

The ornamental design for a multi-purpose hand tool, as shown and described.

DESCRIPTION

FIG. 1 is a top plan view of a multi-purpose hand tool embodying my new design, with the handles in the folded closed position, the bottom plan view being a mirror image thereof;

FIG. 2 is a left side elevational view thereof;

FIG. 3 is a right side elevational view thereof;

FIG. 4 is a front elevational view thereof;

FIG. 5 is a rear elevational view thereof;

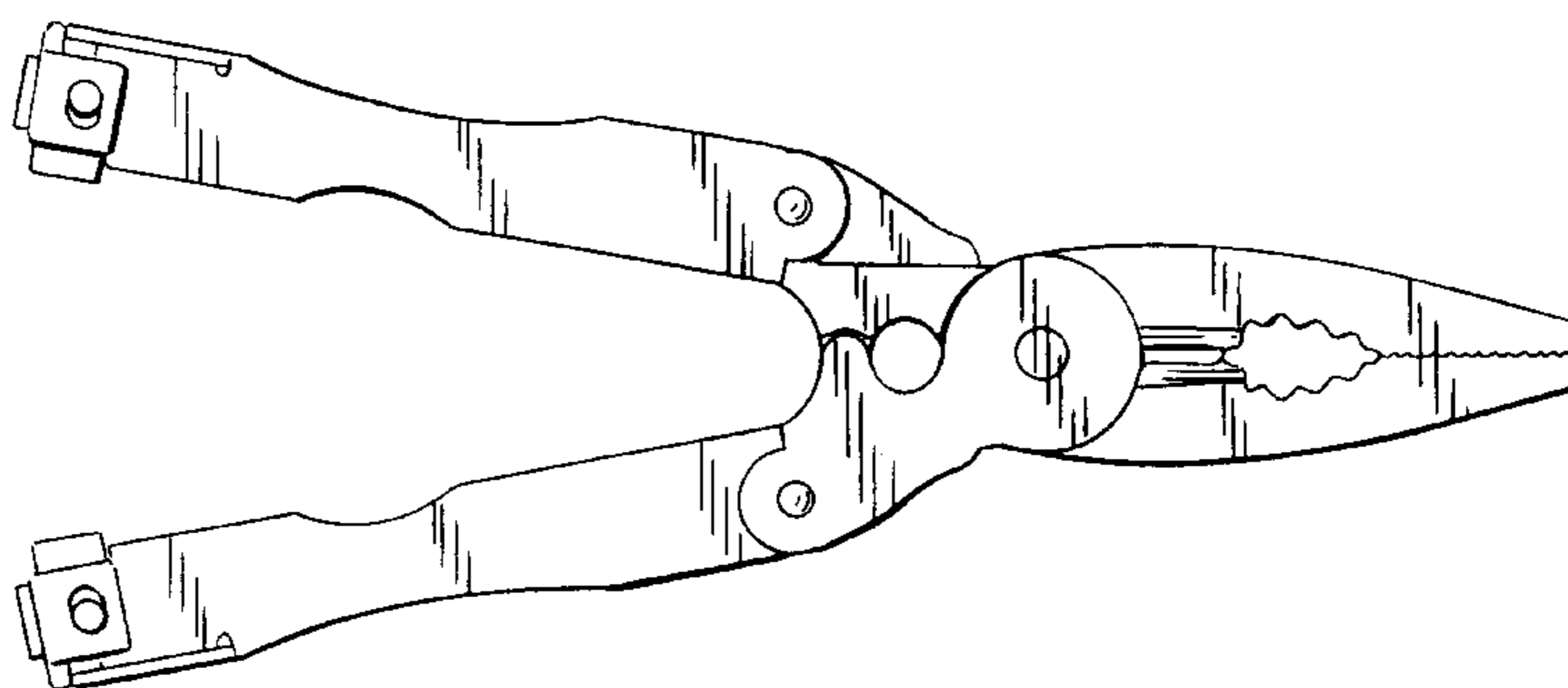
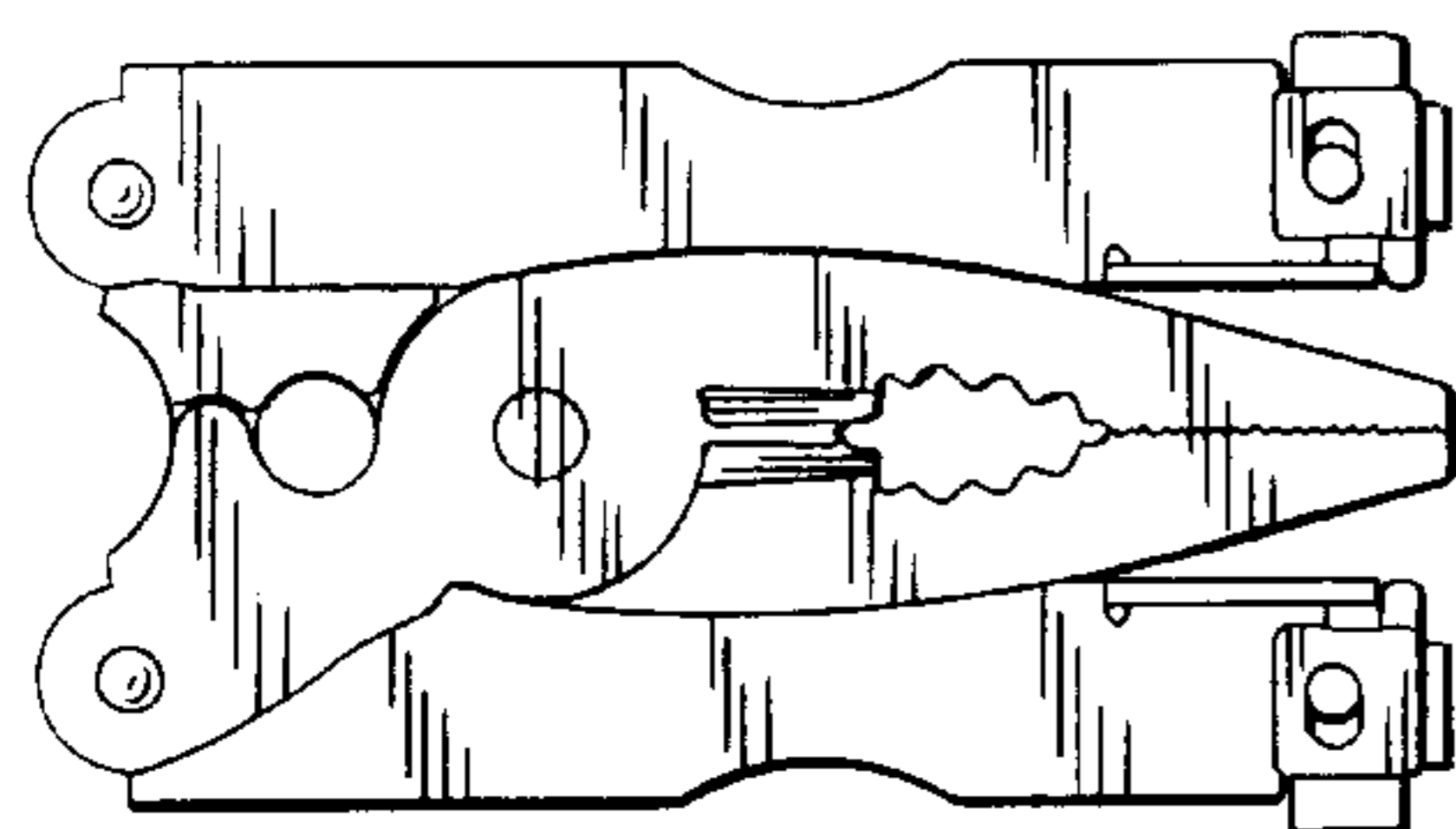
FIG. 6 is a top plan view of the multi-purpose hand tool with the handles in the folded open position, the bottom plan view being a mirror image thereof;

FIG. 7 is a left side elevational view thereof, the right side elevational view being a mirror image thereof;

FIG. 8 is a front elevational view thereof; and,

FIG. 9 is a rear elevational view thereof.

1 Claim, 2 Drawing Sheets



U.S. PATENT DOCUMENTS

1,511,340	10/1924	Jackson .	3,044,081	7/1962	Robinson, Jr. .
1,524,694	2/1925	Maio .	3,364,508	1/1968	Garrett .
1,551,328	8/1925	Perry .	3,798,687	3/1974	Stevens .
1,561,833	11/1925	Cruickshank .	4,238,862	12/1980	Leatherman .
1,561,993	11/1925	Nielsen .	4,502,220	3/1985	Aoki .
1,619,181	3/1927	Beretz .	4,512,051	4/1985	Magan .
2,057,201	10/1936	McCluskey .	4,744,272	5/1988	Leatherman .
2,514,130	7/1950	Jones .	4,805,303	2/1989	Gibbs .
2,561,682	7/1951	Barnett .	4,888,869	12/1989	Leatherman .
2,575,652	11/1951	Bovee .	5,044,079	9/1991	Gibbs .
2,606,471	8/1952	Kollweck .	5,062,173	11/1991	Collins et al. .
2,641,149	6/1953	Petersen .	5,142,721	9/1992	Sessions et al. .
2,747,446	5/1956	Eder .	5,267,366	12/1993	Frazer .
2,779,098	1/1957	Pocoski et al. .	5,320,004	6/1994	Hsiao .
2,814,108	11/1957	Bassett .	5,491,856	2/1996	Legg .

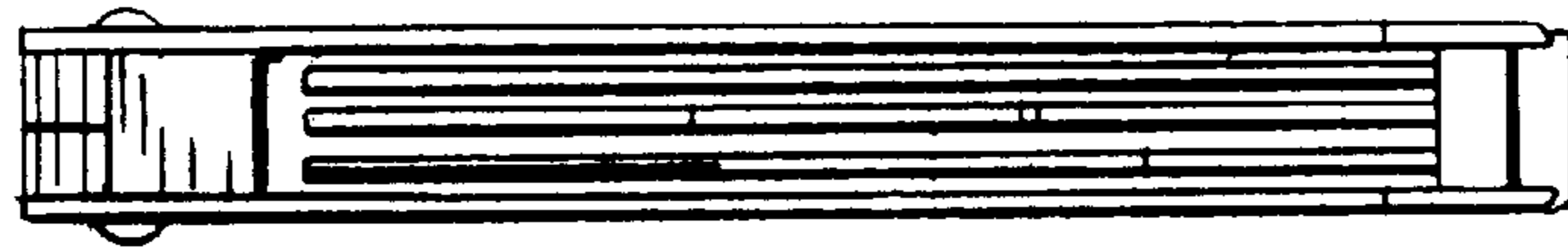
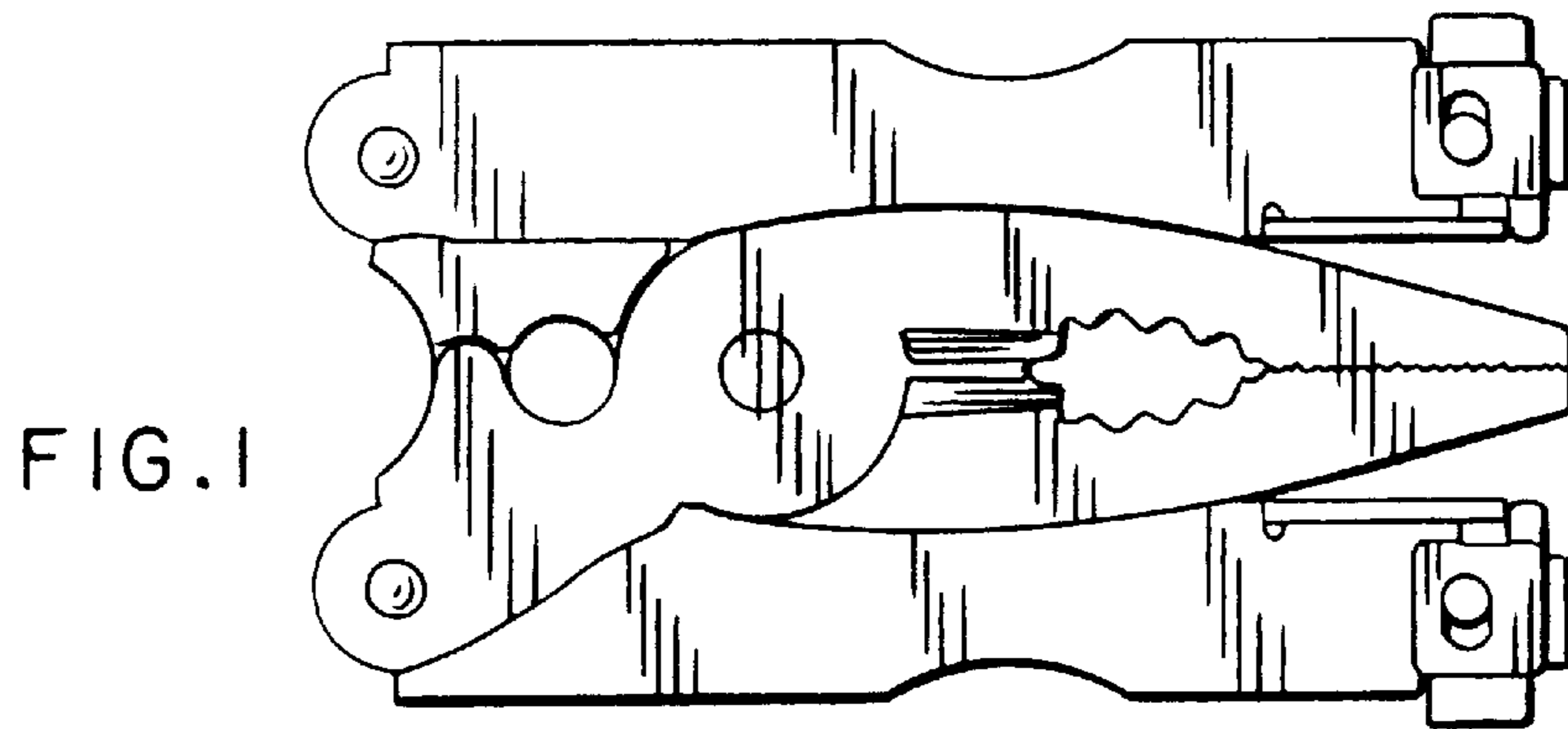


FIG. 2

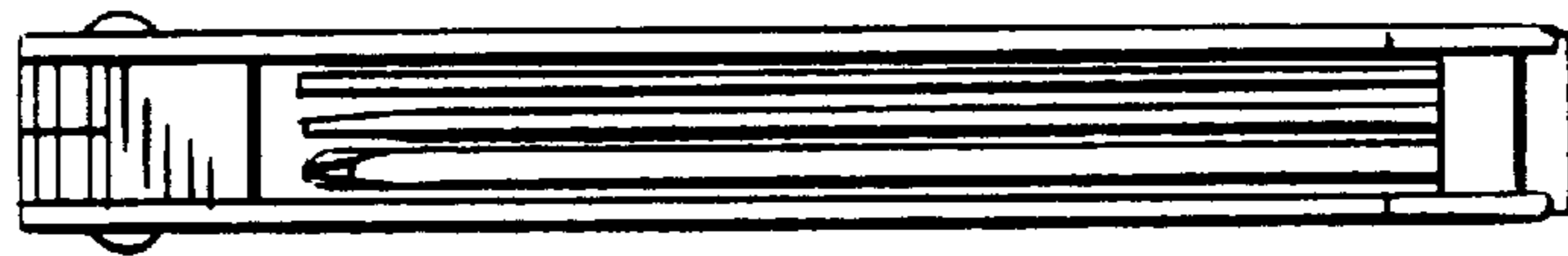


FIG. 3



FIG. 4



FIG. 5

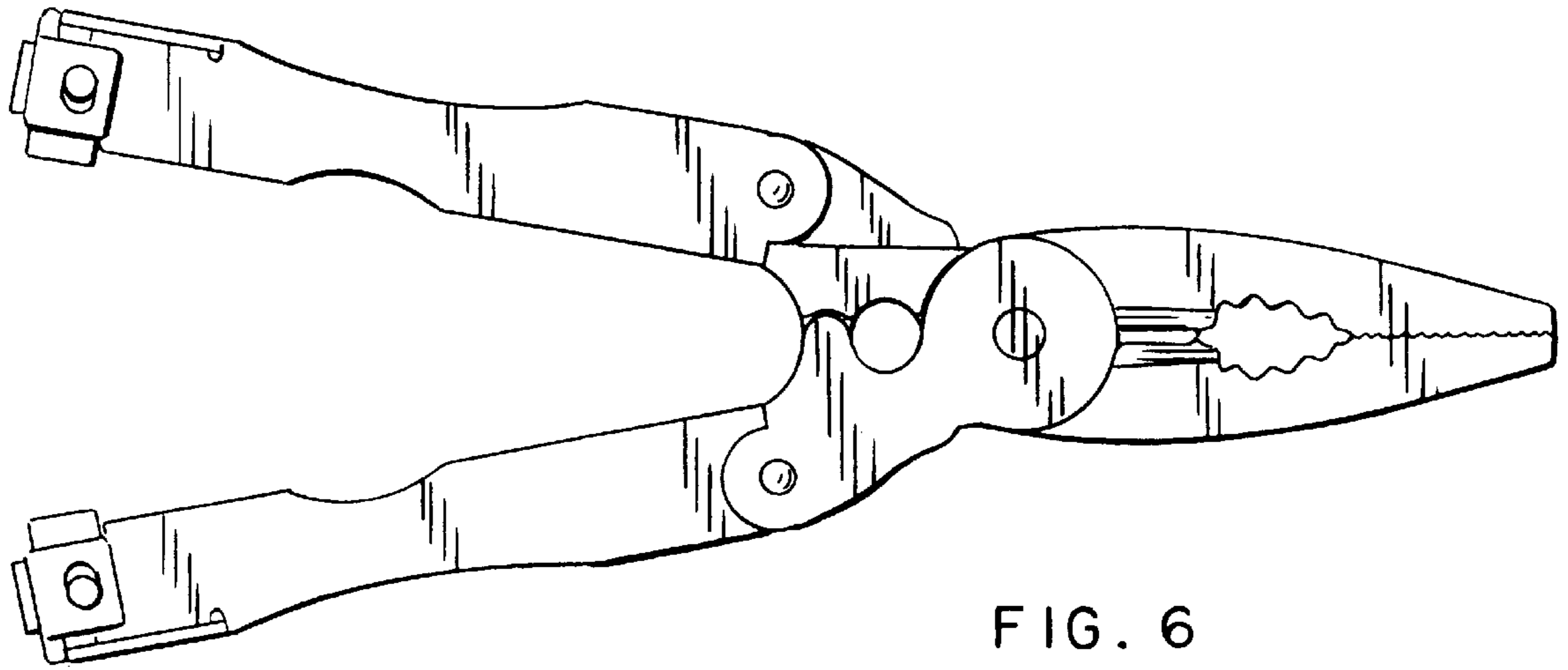


FIG. 6

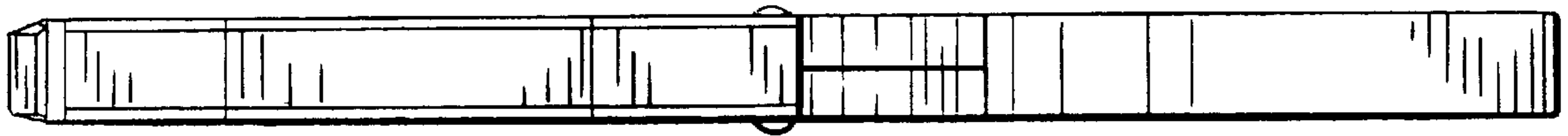


FIG. 7



FIG. 8



FIG. 9