



US00D407284S

United States Patent [19]

Crist, Jr. et al.

[11] Patent Number: Des. 407,284

[45] Date of Patent: **Mar. 30, 1999

[54] WINE OPENER CLAMP

[75] Inventors: Robert H. Crist, Jr.; Thomas M. Baron, both of Midlothian, Va.

[73] Assignee: Rogar International, Richmond, Va.

[**] Term: 14 Years

[21] Appl. No.: 63,921

[22] Filed: Dec. 16, 1996

[51] LOC (6) Cl. 07-06

[52] U.S. Cl. D8/42

[58] Field of Search D8/33-43; 7/151-156; 30/400; 81/3.07, 3.33, 3.4, 3.41

[56] References Cited

U.S. PATENT DOCUMENTS

D. 334,123	3/1993	Barclay et al.	D8/39
589,574	9/1897	Redlinger	81/3.33
845,608	2/1907	Bitner	81/3.33

OTHER PUBLICATIONS

Chef's Catalog; p. 59; World's best corkscrew #1897—Lever corkscrew and foilcutter set; upper right of page, Aug. 1995.

Two sheets of unpublished drawings, first sheet dated Mar. 1982.

Primary Examiner—Caron D. Veynar
Attorney, Agent, or Firm—Gregory Garmong

[57] CLAIM

The ornamental design for a wine opener clamp, as shown and described.

DESCRIPTION

FIG. 1 is a perspective view of a wine opener clamp, the broken line showing of a wine opener mechanism is for illustrative purposes only and forms no part of the claimed design;

FIG. 2 is a top view thereof;

FIG. 3 is a left-side elevational view thereof, the right-side elevational view being identical thereto;

FIG. 4 is a bottom view thereof;

FIG. 5 is a front elevational view thereof; and,

FIG. 6 is a back elevational view thereof.

1 Claim, 2 Drawing Sheets

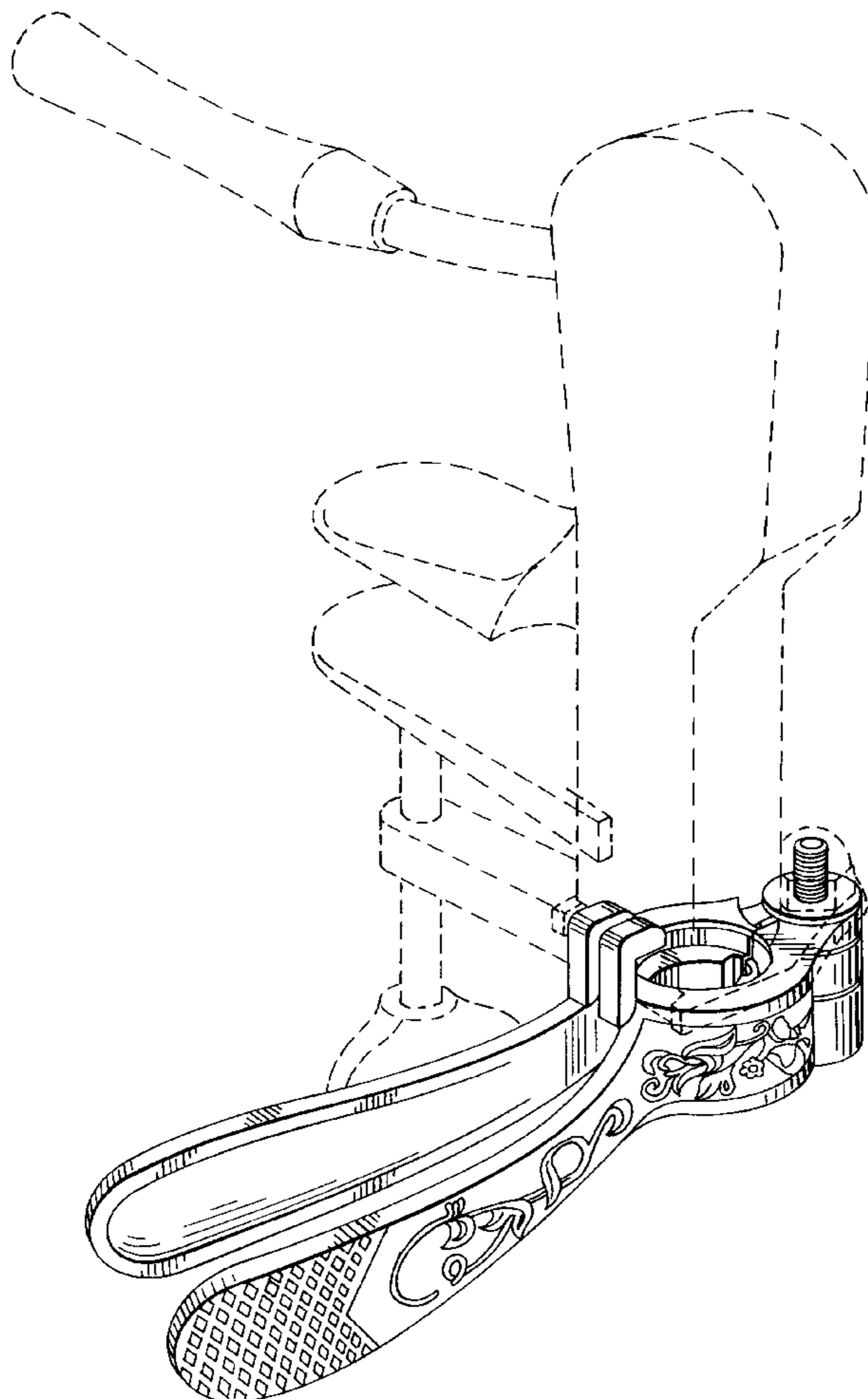


FIG. 1

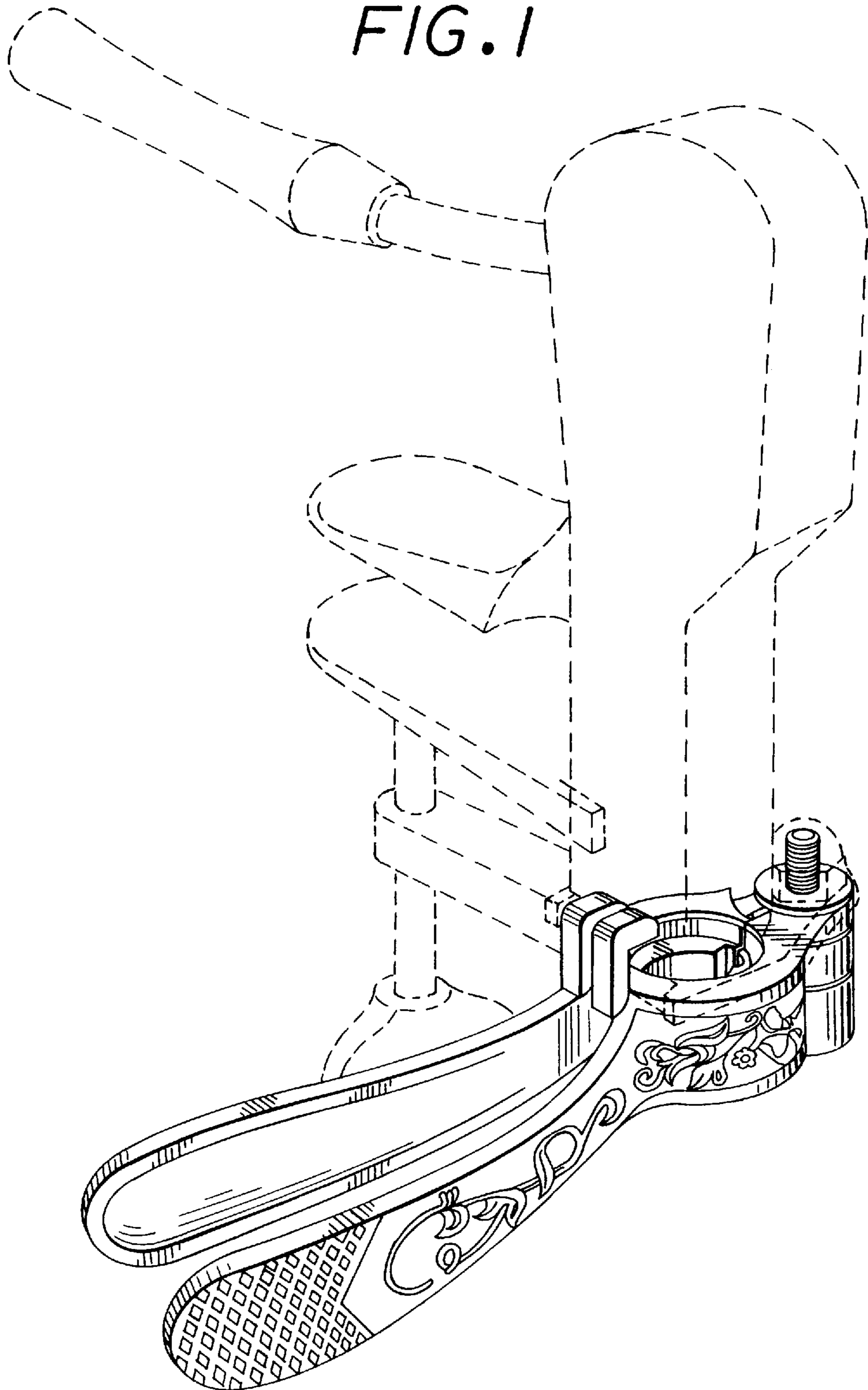


FIG. 2

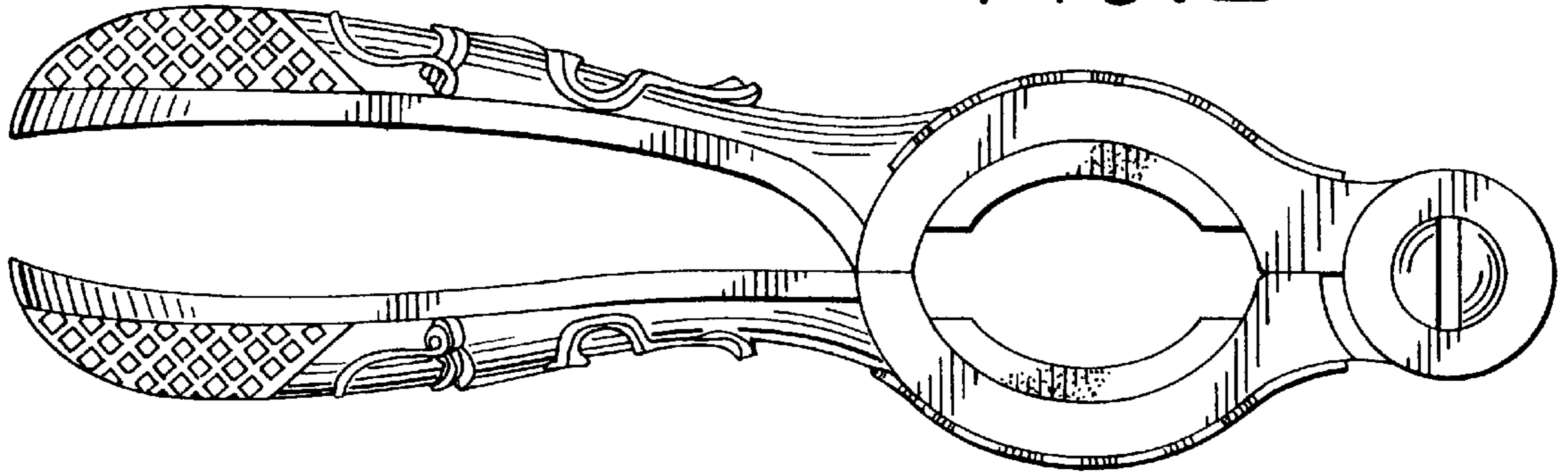


FIG. 3

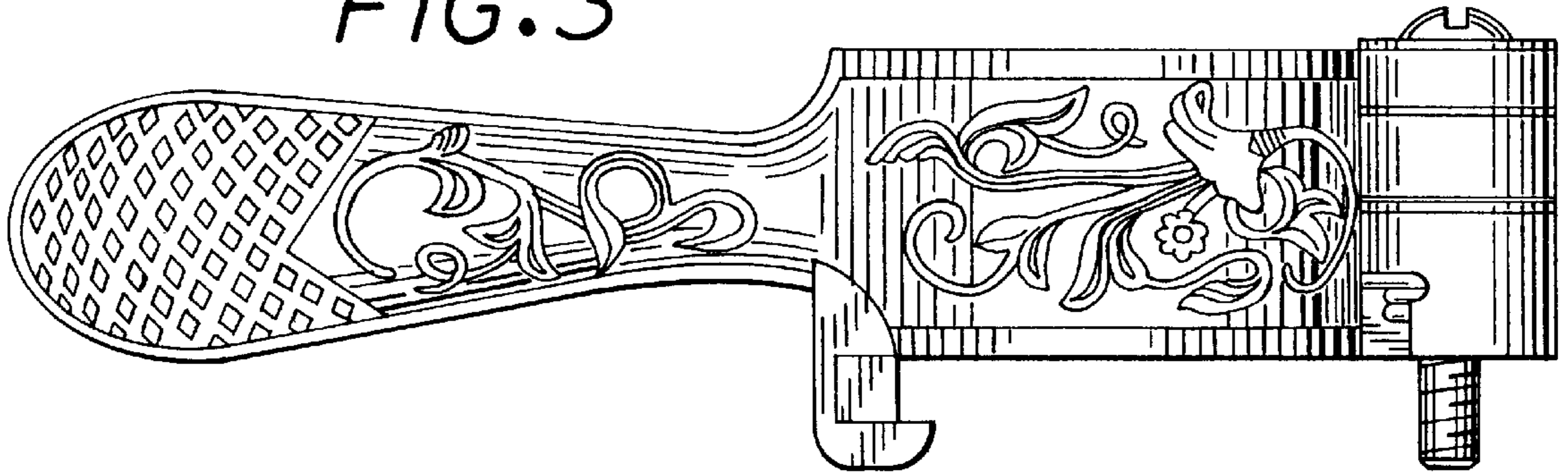


FIG. 4

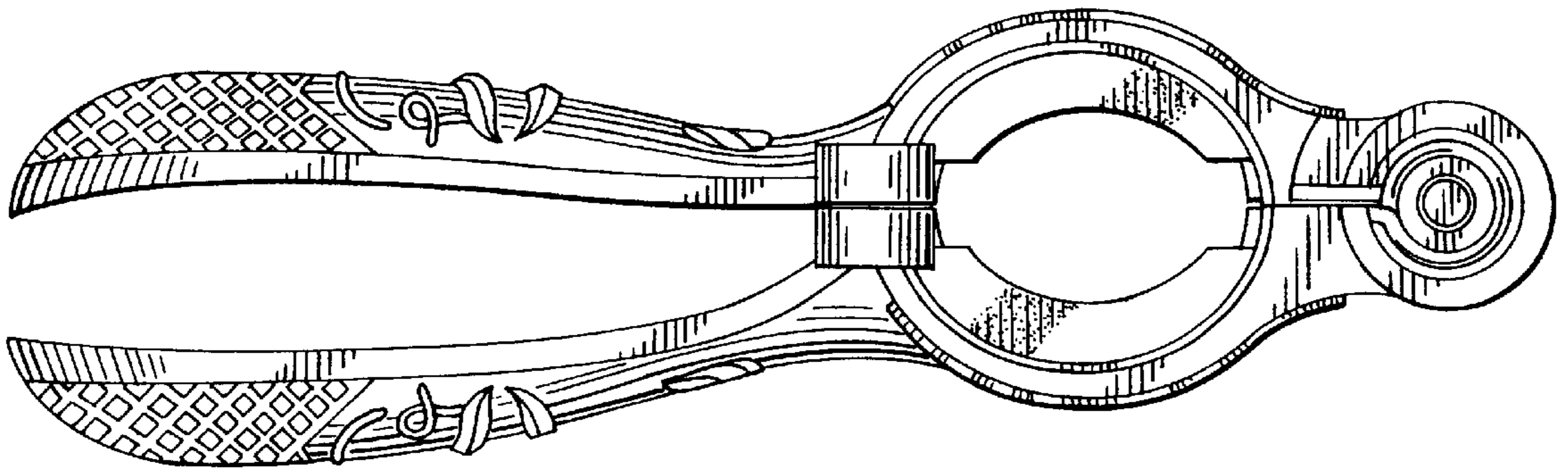


FIG. 5

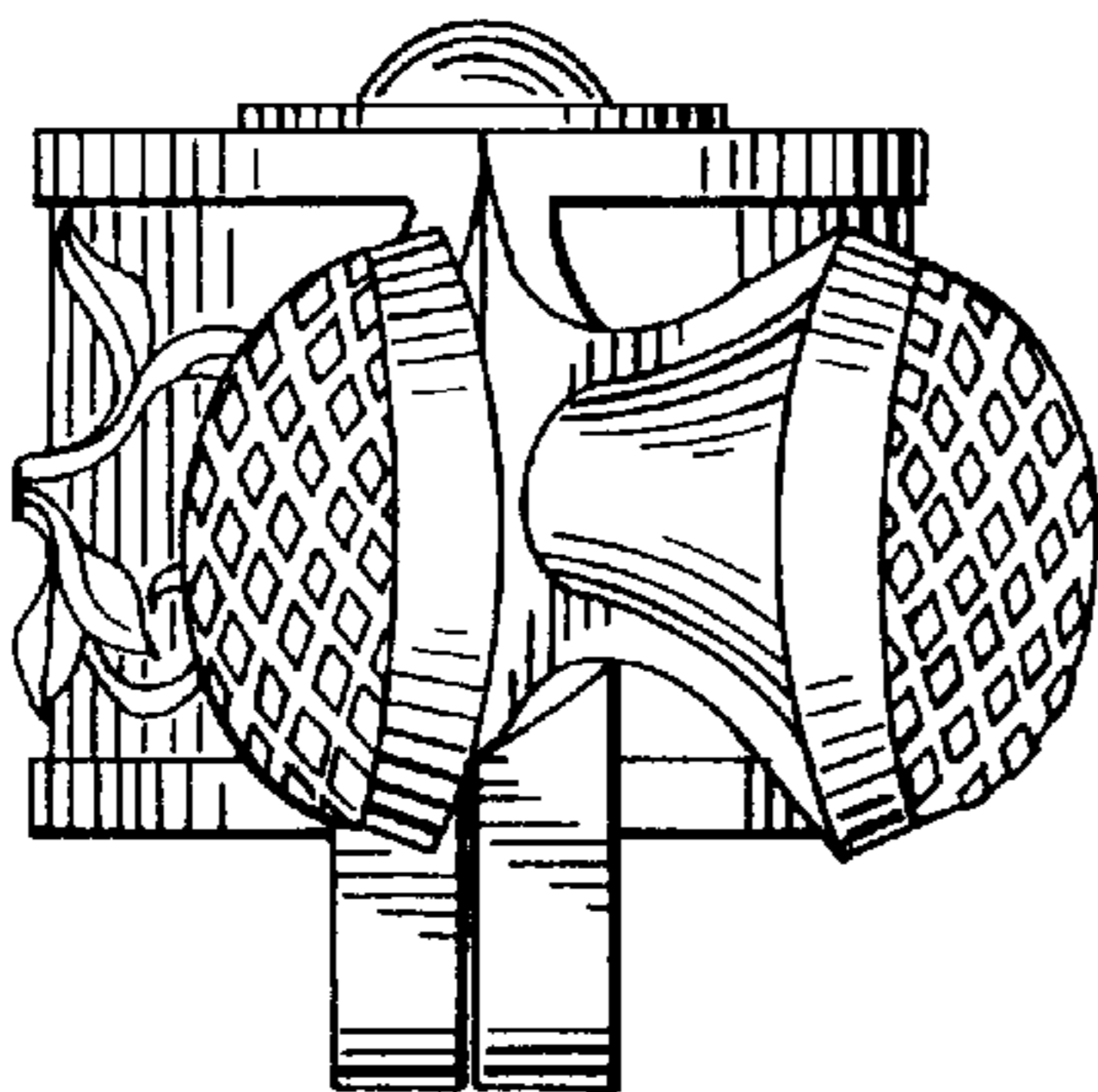


FIG. 6

