



US00D407283S

**United States Patent** [19]  
**Schwab**

[11] **Patent Number: Des. 407,283**

[45] **Date of Patent: \*\*Mar. 30, 1999**

[54] **BOTTLE OPENER**

[75] Inventor: **Phillip Schwab**, 54 Chester Hill Road,  
Toronto, Ontario, Canada, M4K 1X3

[73] Assignee: **Phillip Schwab**, Toronto, Canada

[\*\*] Term: **14 Years**

[21] Appl. No.: **80,635**

[22] Filed: **Sep. 24, 1997**

[30] **Foreign Application Priority Data**

Mar. 26, 1997 [CA] Canada ..... 1997-0768

[51] **LOC (6) Cl.** ..... **07-99**

[52] **U.S. Cl.** ..... **D8/40; D8/33**

[58] **Field of Search** ..... D8/18, 19, 33-43;  
7/151-156; 30/400, 429; 81/3.07, 3.29,  
3.4, 3.41, 3.55

[56] **References Cited**

**U.S. PATENT DOCUMENTS**

D. 215,807 11/1969 Weingardt ..... D8/40

D. 267,925 2/1983 La Mancusa ..... D8/18  
D. 277,635 2/1985 Sherwood ..... D8/18  
D. 346,102 4/1994 Ogden ..... D8/40

*Primary Examiner*—Caron D. Veynar  
*Attorney, Agent, or Firm*—Dick and Harris

[57] **CLAIM**

The ornamental design for a bottle opener, as shown and described.

**DESCRIPTION**

FIG. 1 is a top perspective view of the bottle opener showing my new ornamental design thereof;

FIG. 2 is a bottom perspective view thereof;

FIG. 3 is a top plan view thereof;

FIG. 4 is a front elevation thereof;

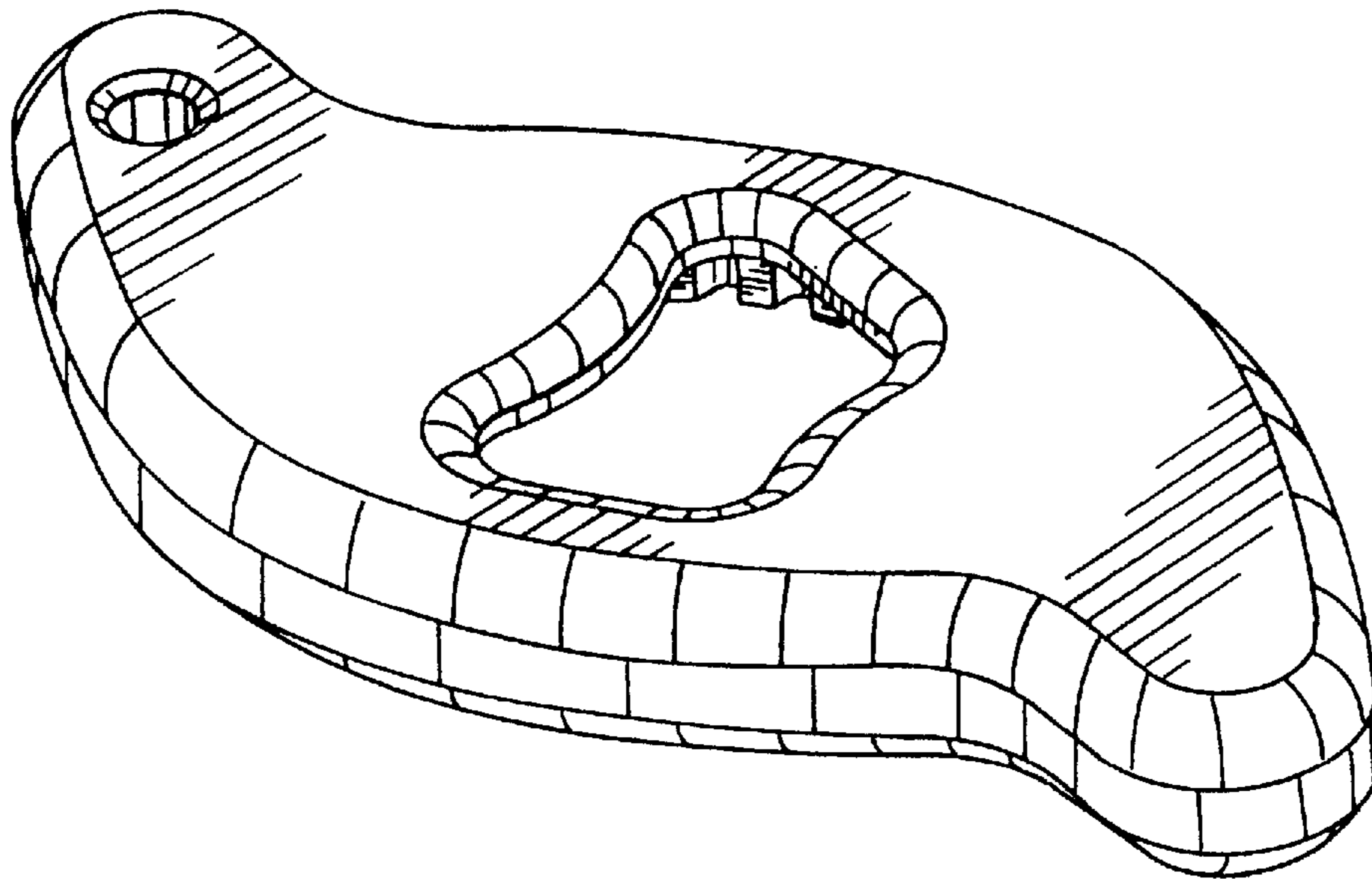
FIG. 5 is a right elevation thereof;

FIG. 6 is a bottom plan view thereof;

FIG. 7 is a rear elevation thereof; and,

FIG. 8 is a left side elevation thereof.

**1 Claim, 2 Drawing Sheets**



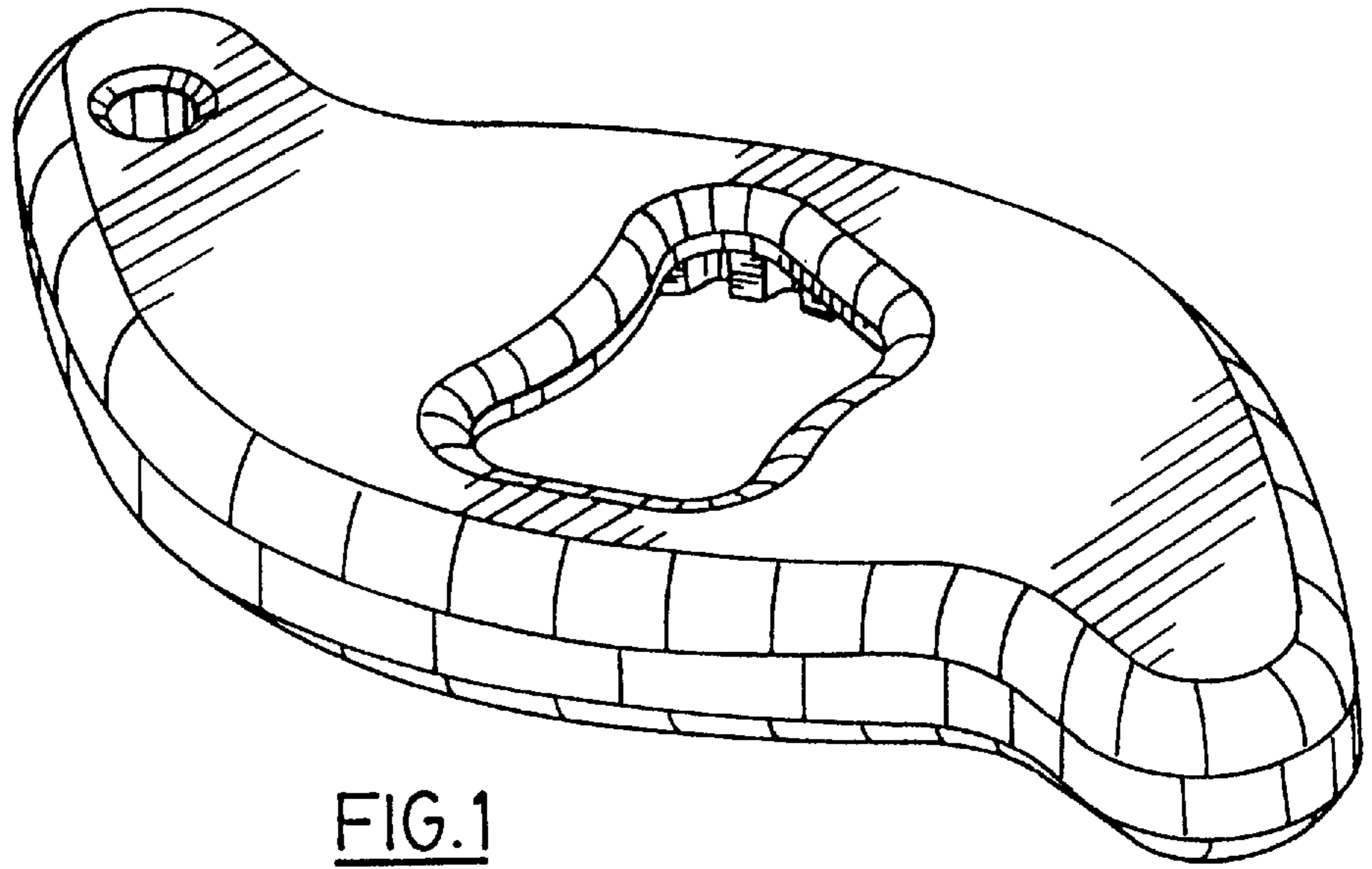


FIG. 1

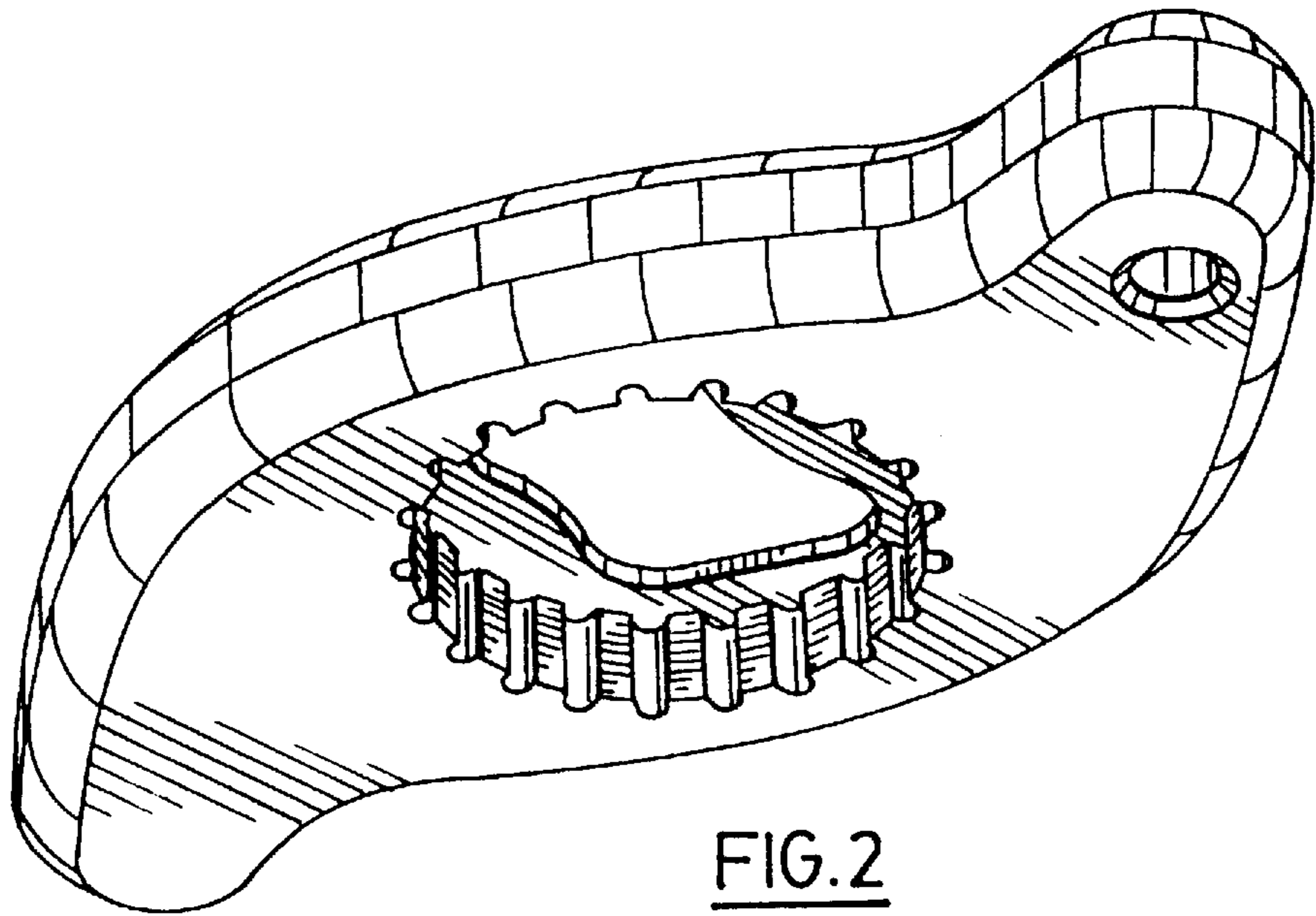


FIG. 2

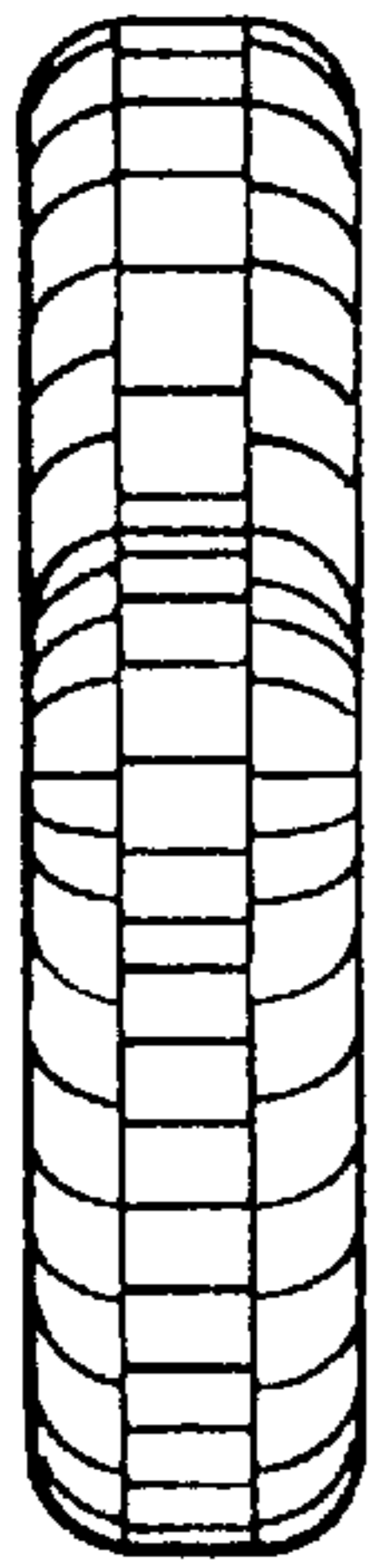


FIG. 4

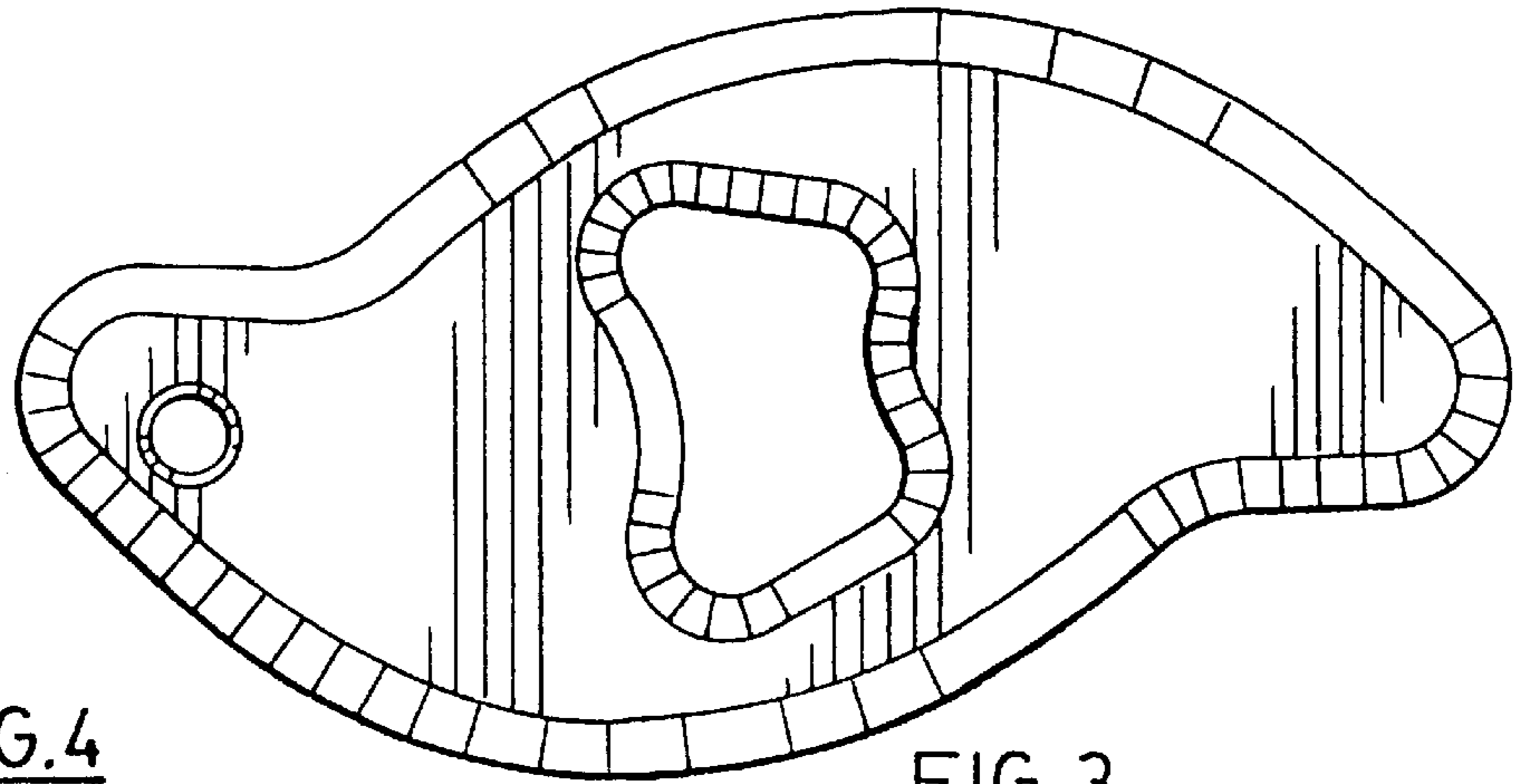


FIG. 3

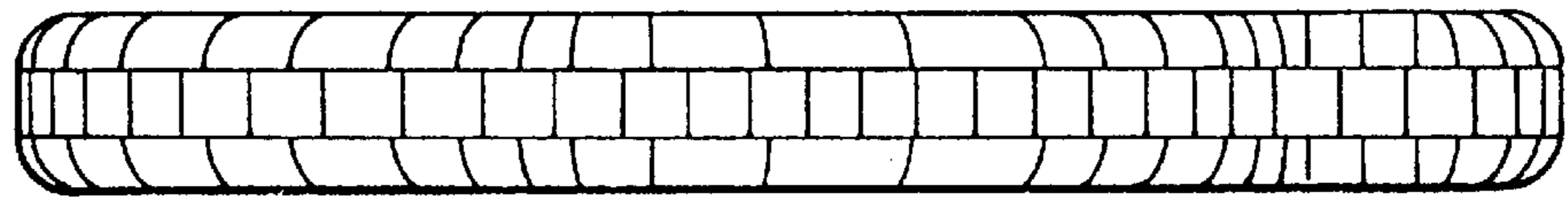


FIG. 5

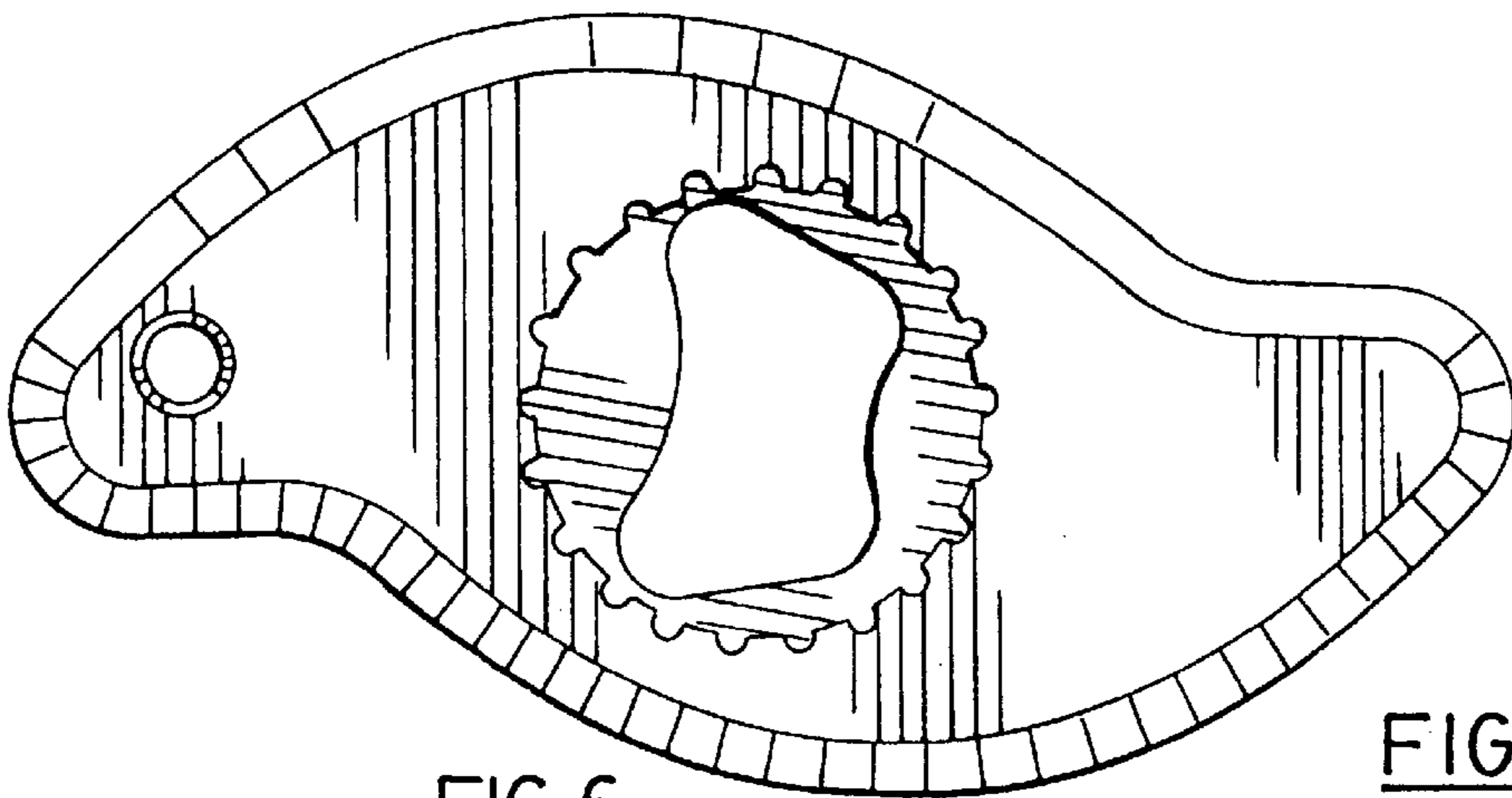


FIG. 6

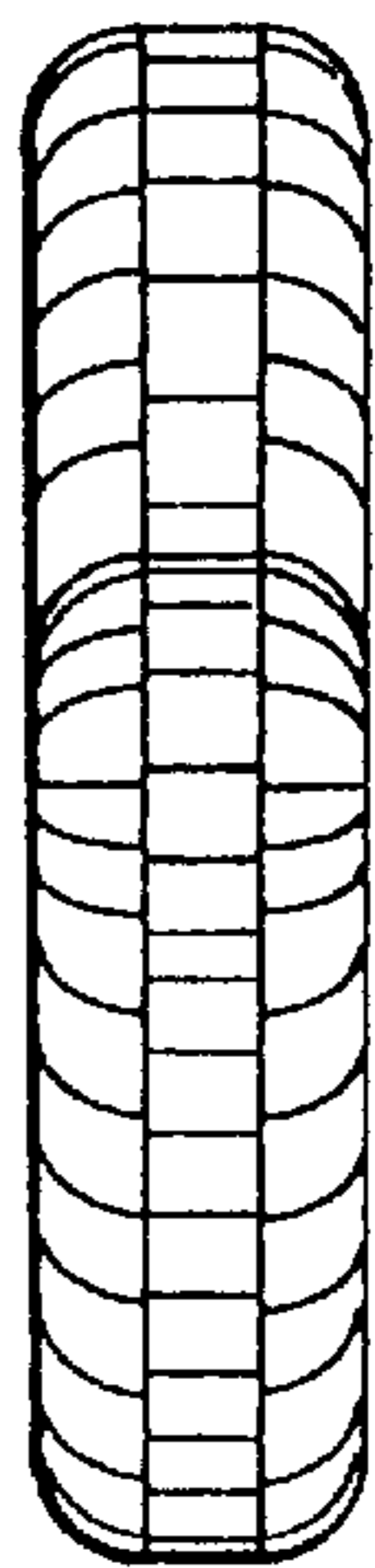


FIG. 7

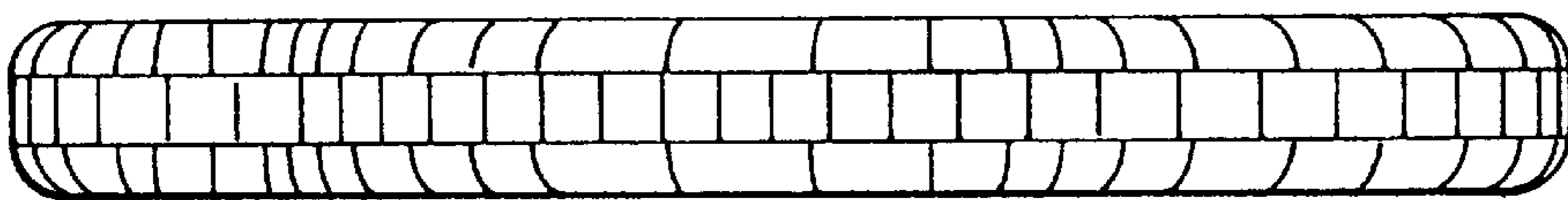


FIG. 8