



US00D407282S

United States Patent [19]
MacNeil

[11] **Patent Number: Des. 407,282**

[45] **Date of Patent: **Mar. 30, 1999**

[54] **LIGHT BULB CHANGING TOOL**

FOREIGN PATENT DOCUMENTS

[76] Inventor: **Arthur MacNeil**, 5088 Avenida de la Plata, Oceanside, Calif. 92057

030946 12/1929 United Kingdom .

[**] Term: **14 Years**

Primary Examiner—Ted Shooman
Assistant Examiner—Richele Shelton
Attorney, Agent, or Firm—Calif Kip Tervo

[21] Appl. No.: **57,843**

[57] **CLAIM**

[22] Filed: **Aug. 1, 1996**

The ornamental design for a light bulb changing tool, as shown and described.

[51] **LOC (6) Cl.** **08-05**

[52] **U.S. Cl.** **D8/14**

[58] **Field of Search** D8/14; 81/53.11, 81/53.12, 53.2, 64, 461; 294/19.1; 29/270

DESCRIPTION

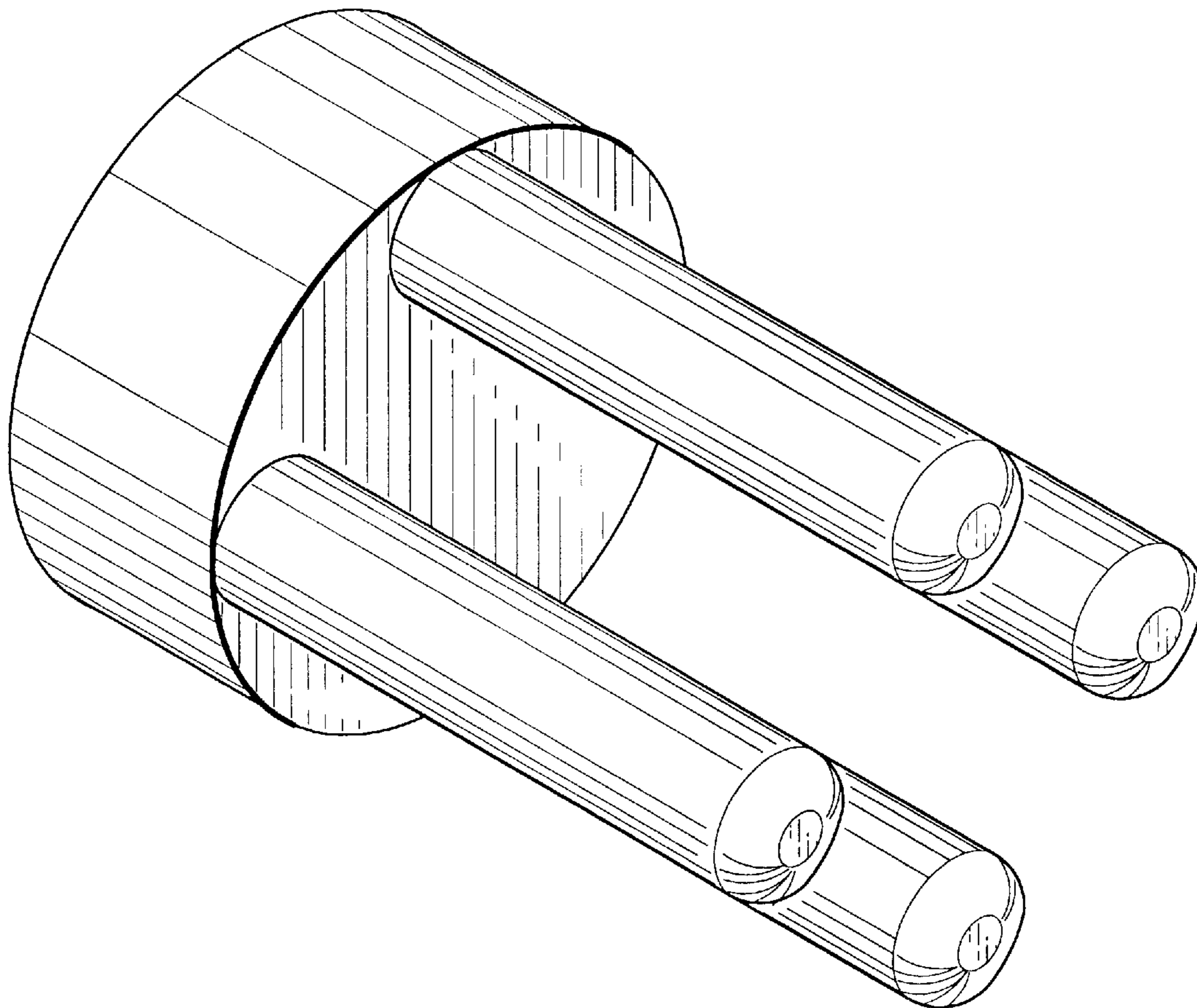
[56] **References Cited**

FIG. 1 is a top perspective view of a light bulb changing tool showing my new design;
FIG. 2 is a bottom perspective view thereof;
FIG. 3 is a top plan view thereof;
FIG. 4 is a bottom plan view thereof; and,
FIG. 5 is a left side elevational view thereof, the right side, front and rear elevational views being identical.

U.S. PATENT DOCUMENTS

D. 231,513	4/1974	Adams	D8/14
D. 361,926	9/1995	Strickland	D8/14
D. 364,323	11/1995	Zupo et al.	D8/14
1,202,432	10/1916	Rozelle et al.	.	
4,663,996	5/1987	Grudgfield et al.	81/53.11
5,458,026	10/1995	Southard et al.	81/53.1

1 Claim, 2 Drawing Sheets



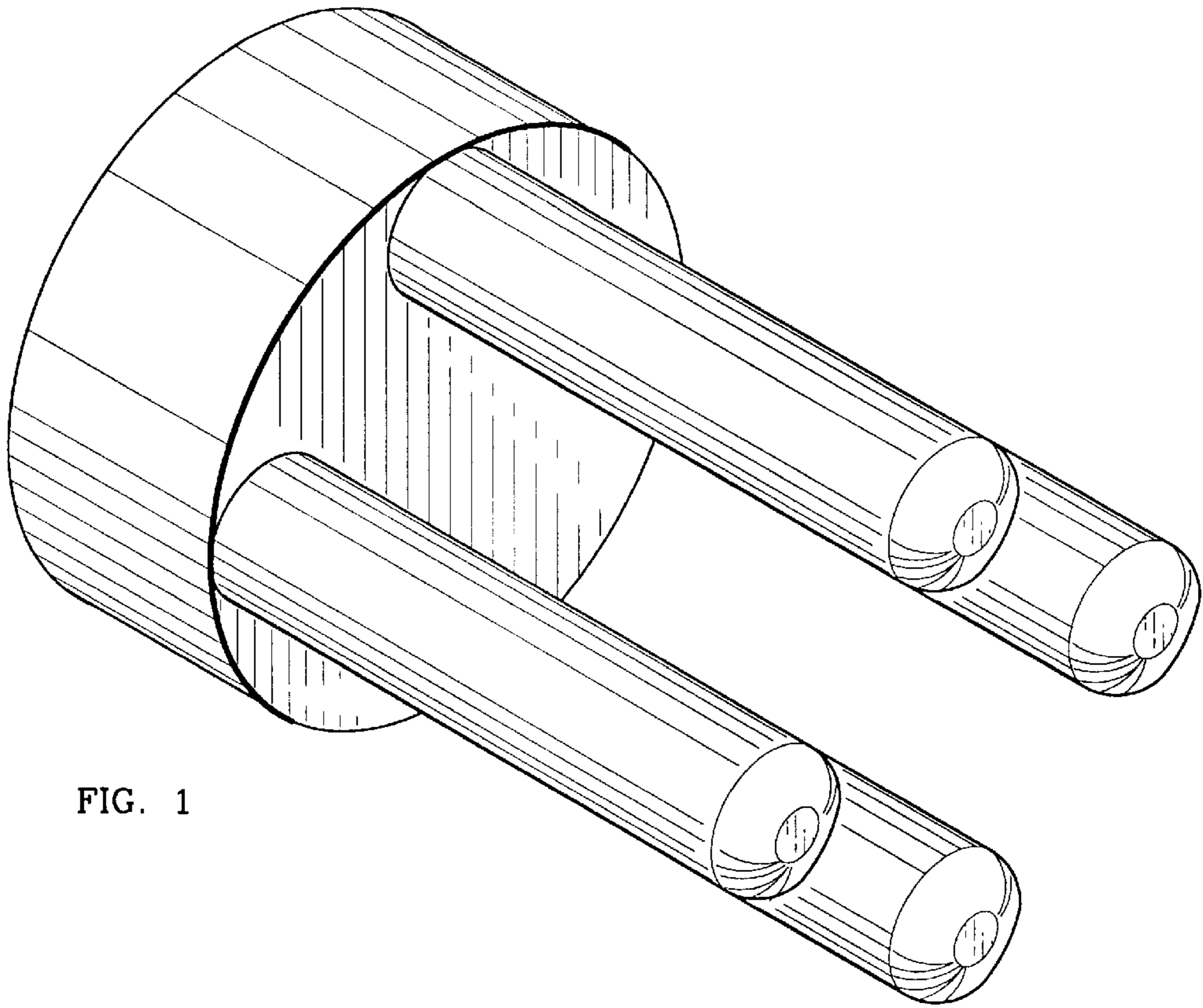


FIG. 1

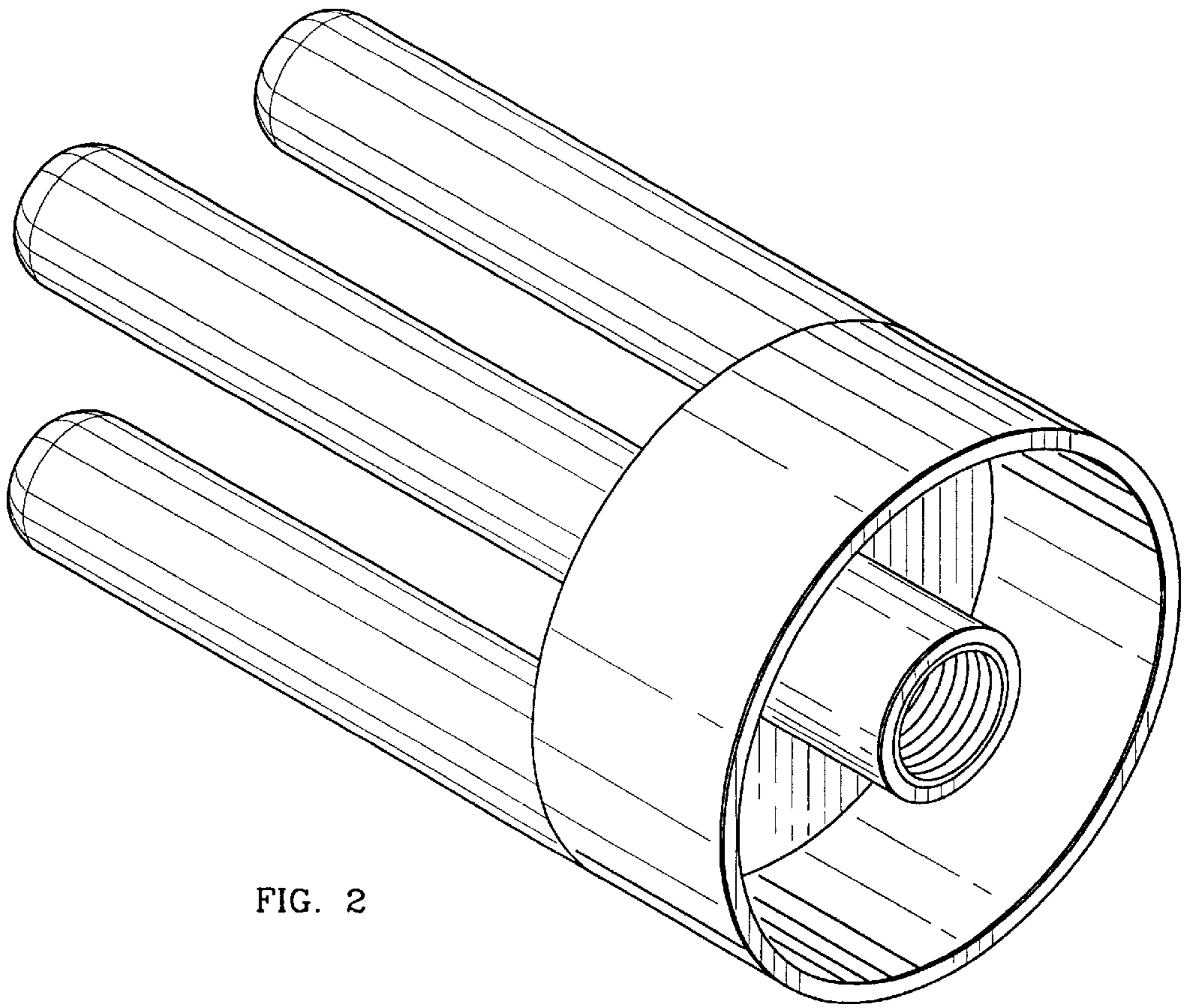


FIG. 2

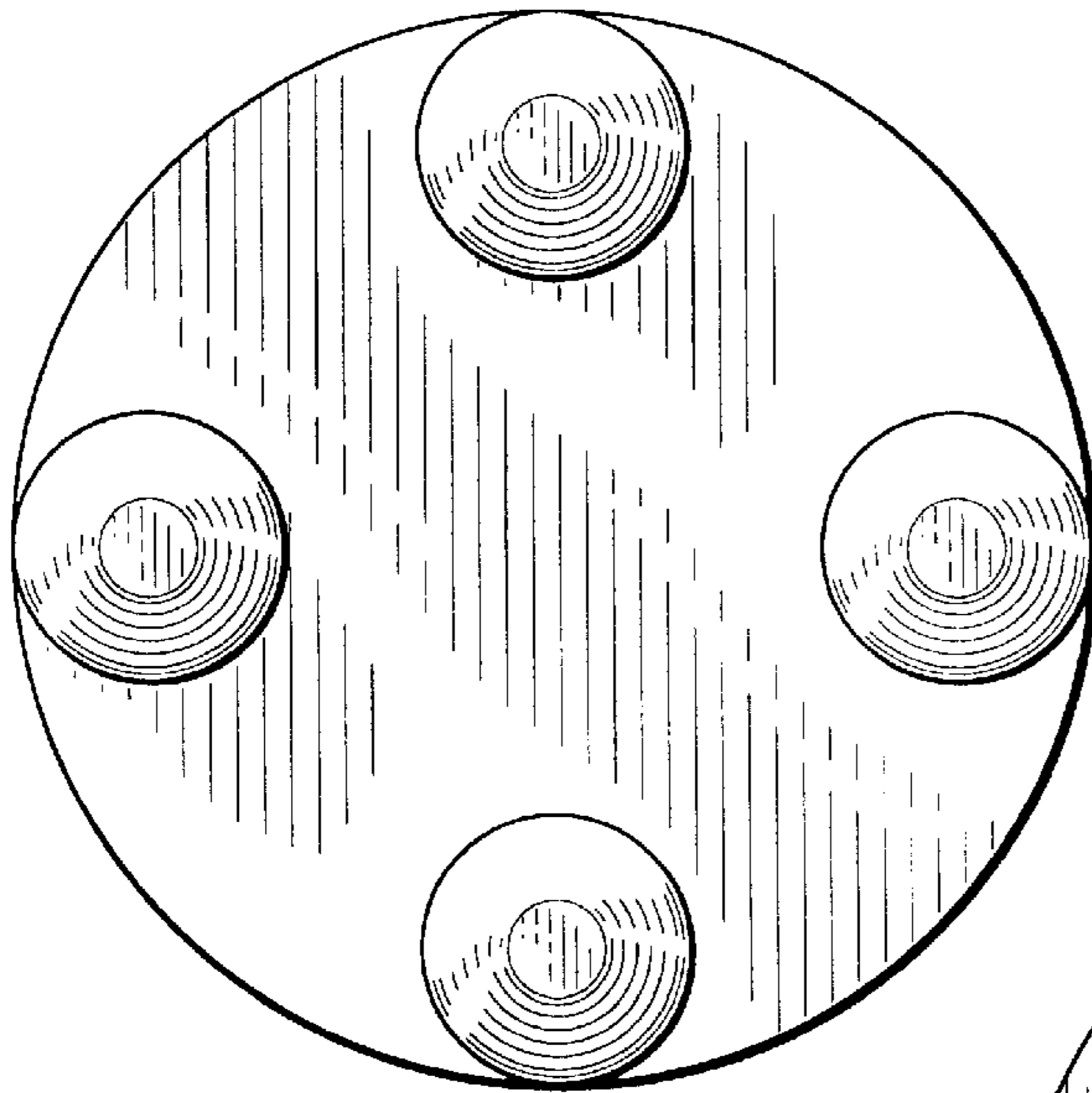


FIG. 3

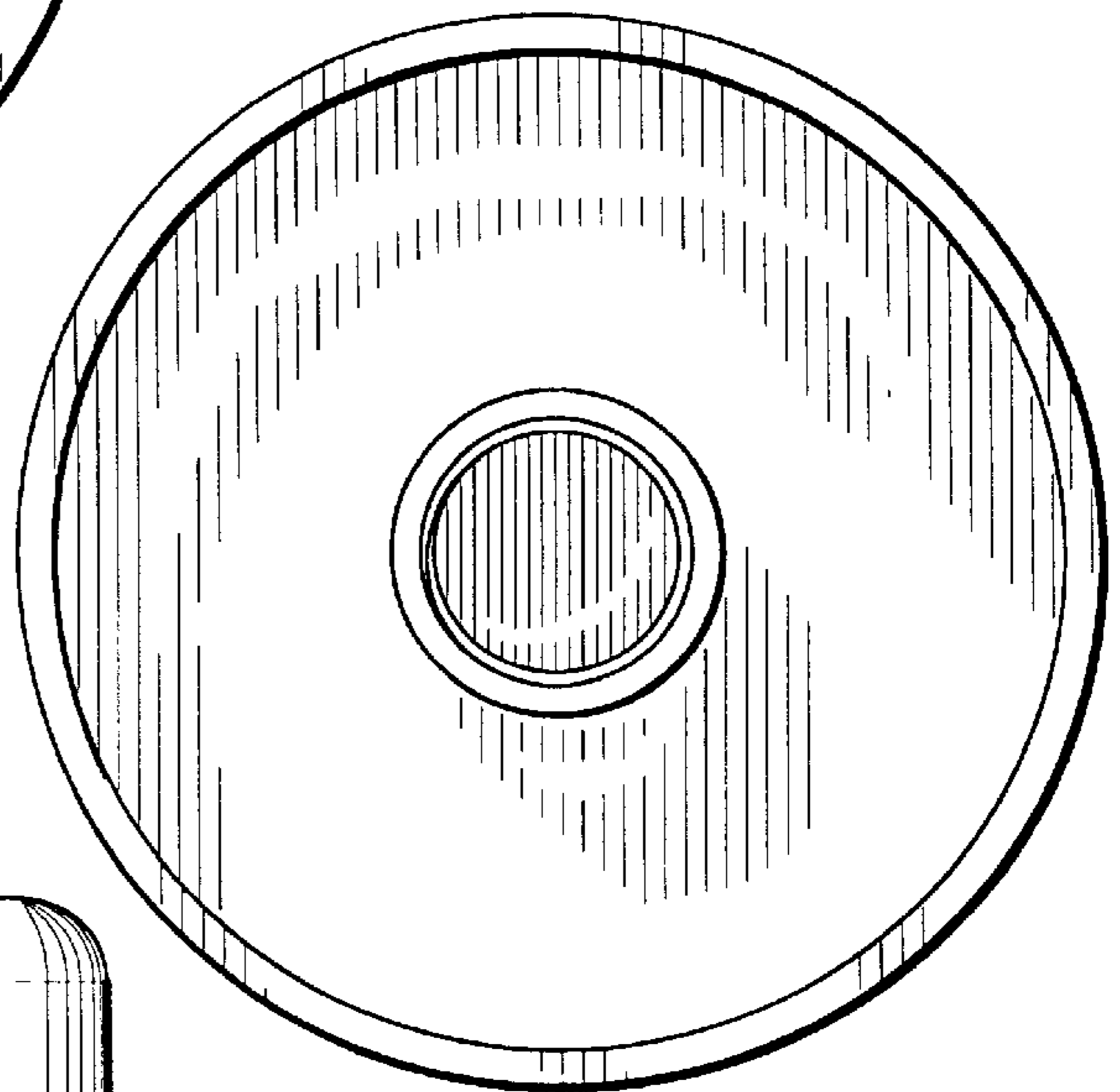


FIG. 4

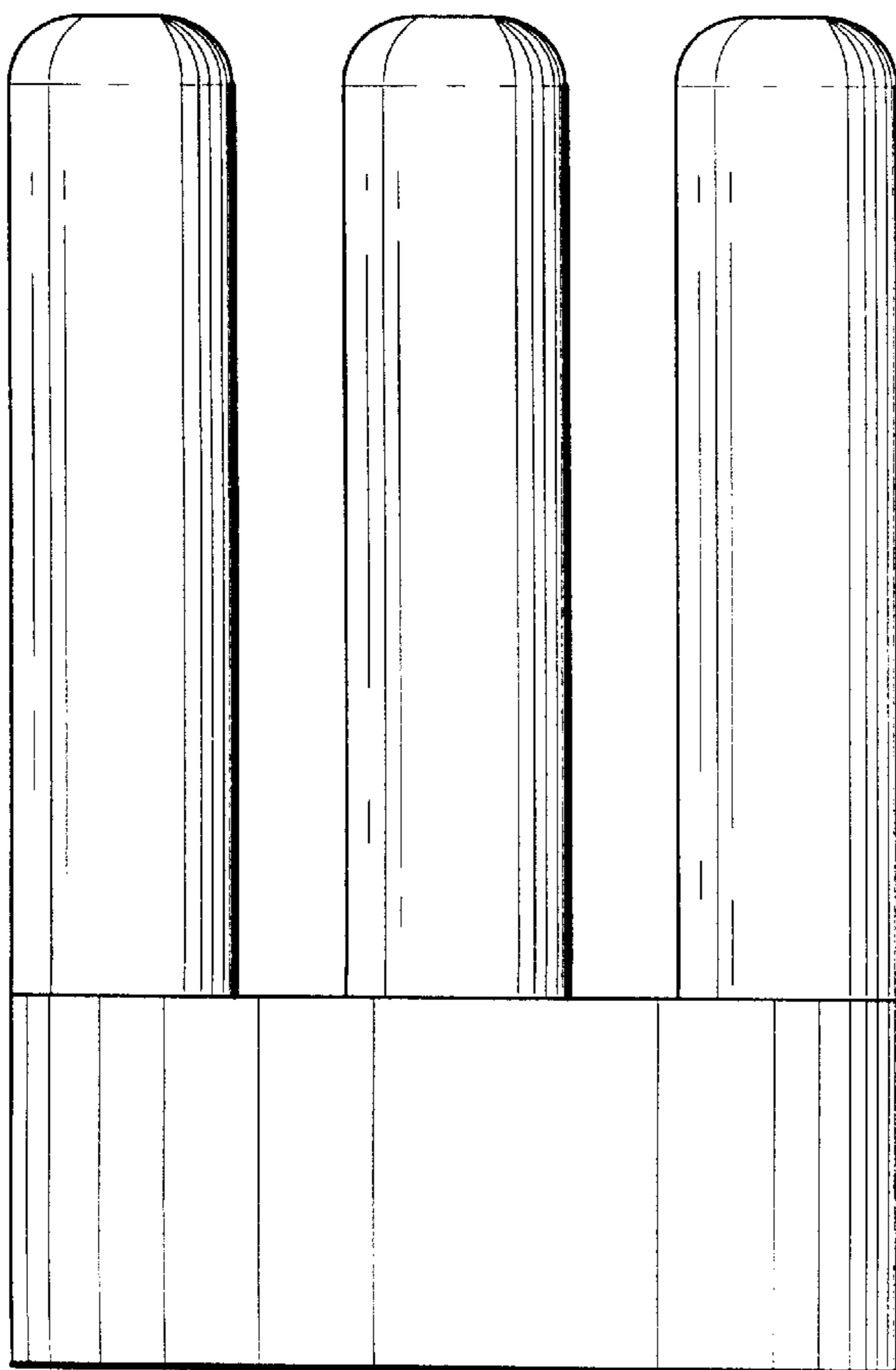


FIG. 5