



US00D407279S

United States Patent [19]
Tisdale

[11] **Patent Number: Des. 407,279**

[45] **Date of Patent: **Mar. 30, 1999**

[54] **SPICE RACK**

[75] Inventor: **David W. Tisdale**, Southport, Conn.

[73] Assignee: **M. Kamenstein, Inc.**, Elmsford, N.Y.

[**] Term: **14 Years**

[21] Appl. No.: **83,028**

[22] Filed: **Jan. 30, 1998**

[51] **LOC (6) Cl.** **07-06**

[52] **U.S. Cl.** **D7/707**

[58] **Field of Search** D7/701, 707, 708,
D7/590; D6/461, 460; 211/71, 74, 77, 78

[56] **References Cited**

U.S. PATENT DOCUMENTS

D. 271,655	12/1983	Numbers	D7/707
D. 334,873	4/1993	Ancona et al.	D7/707
D. 347,769	6/1994	Kibbe	D7/590

Primary Examiner—Terry A. Wallace
Attorney, Agent, or Firm—Robert A. Koons, Jr.; James W. Bolcsak

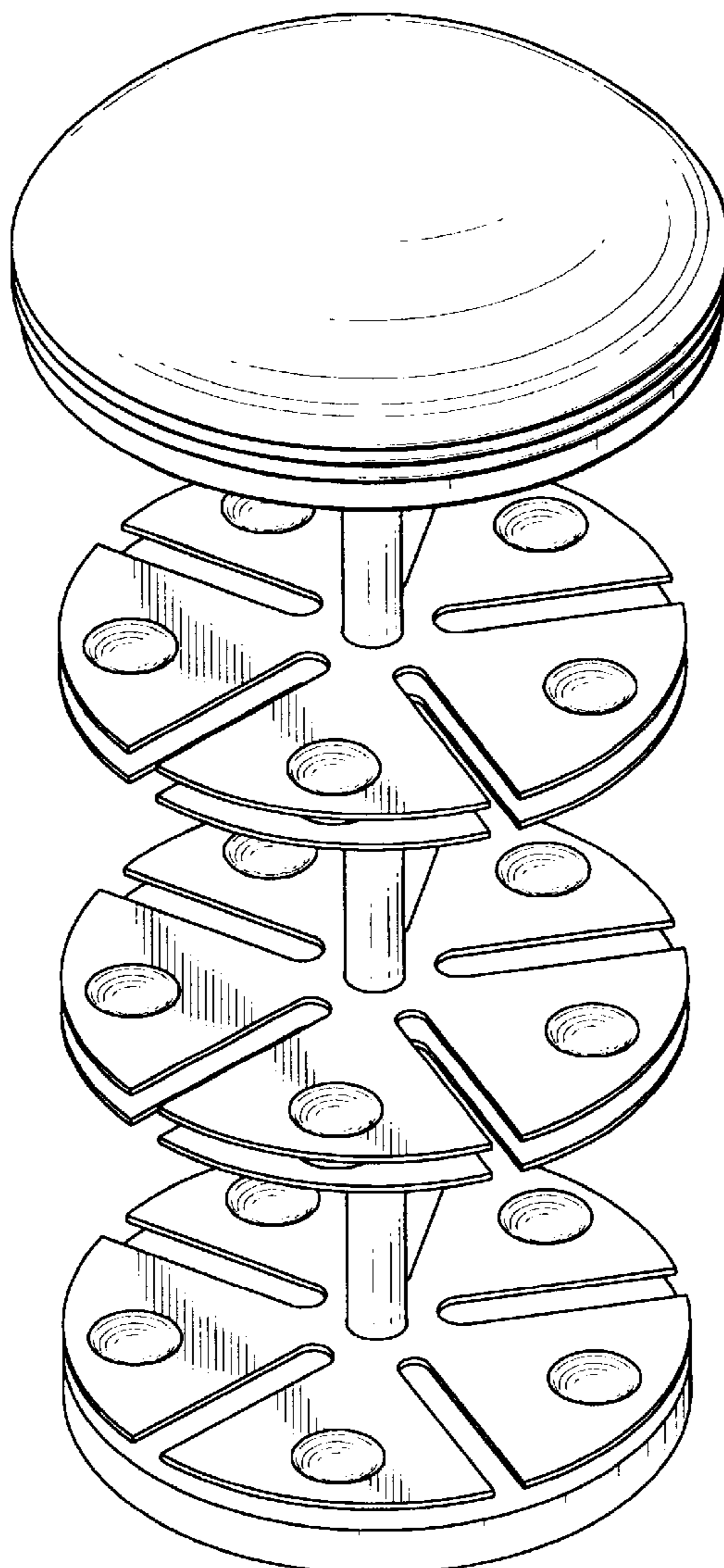
[57] **CLAIM**

The ornamental design for a spice rack, as shown and described.

DESCRIPTION

FIG. 1 is a perspective view of a spice rack showing my new design;
FIG. 2 is a front elevational view thereof, with the broken lines showing matter for illustrative purposes only and forming no part of the claimed design;
FIG. 3 is a back elevational view thereof;
FIG. 4 is a left side view thereof;
FIG. 5 is a right side view thereof;
FIG. 6 is a top plan view thereof; and,
FIG. 7 is a bottom plan view thereof.

1 Claim, 4 Drawing Sheets



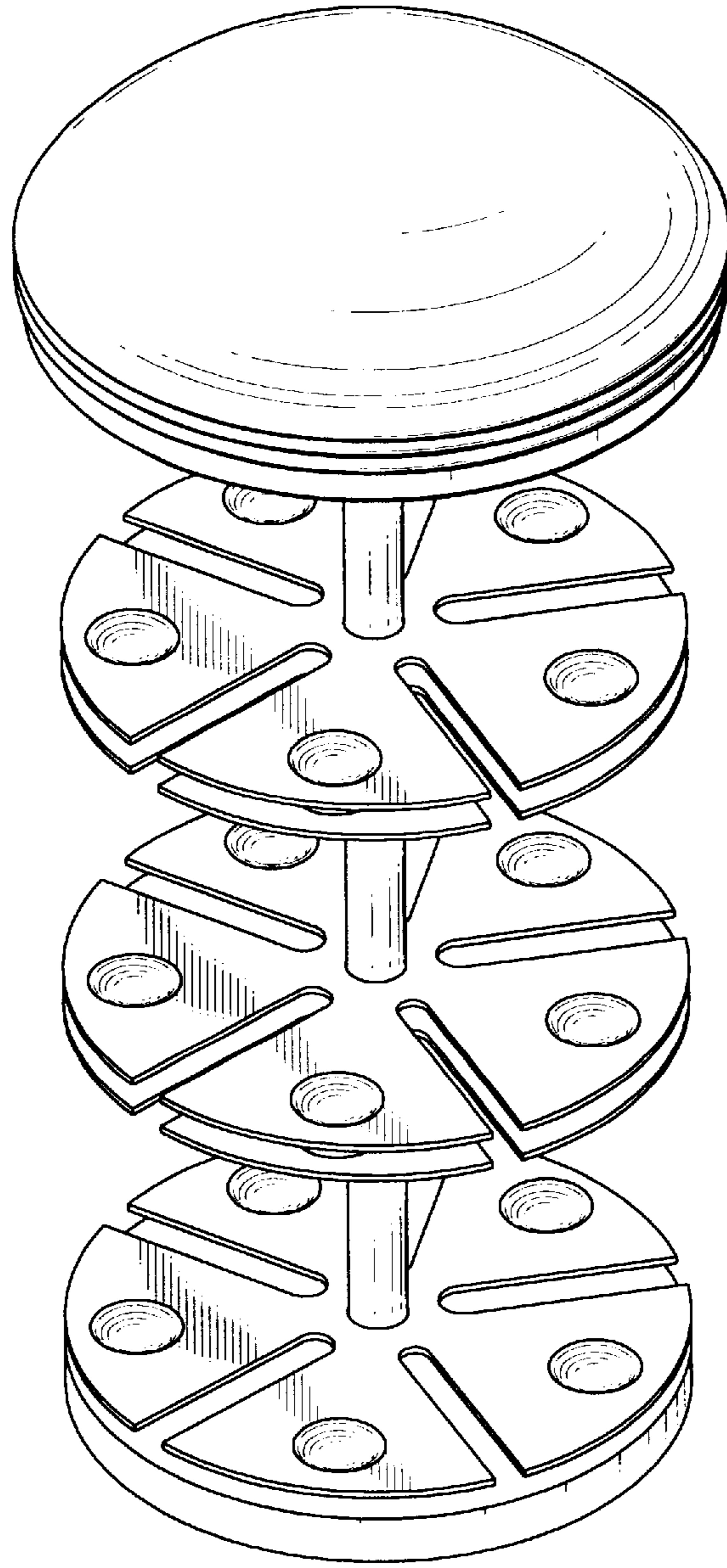


FIG. 1

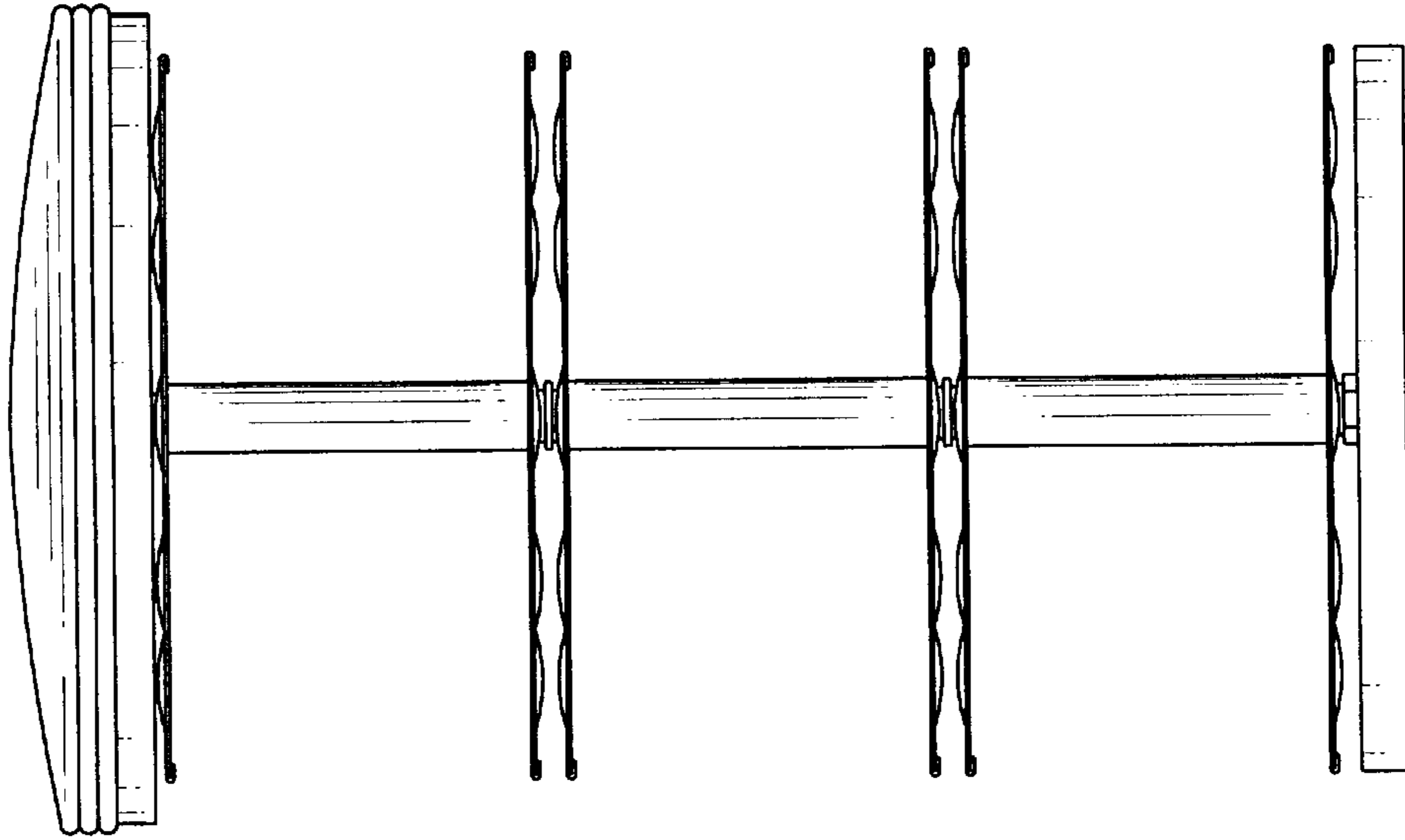


FIG. 3

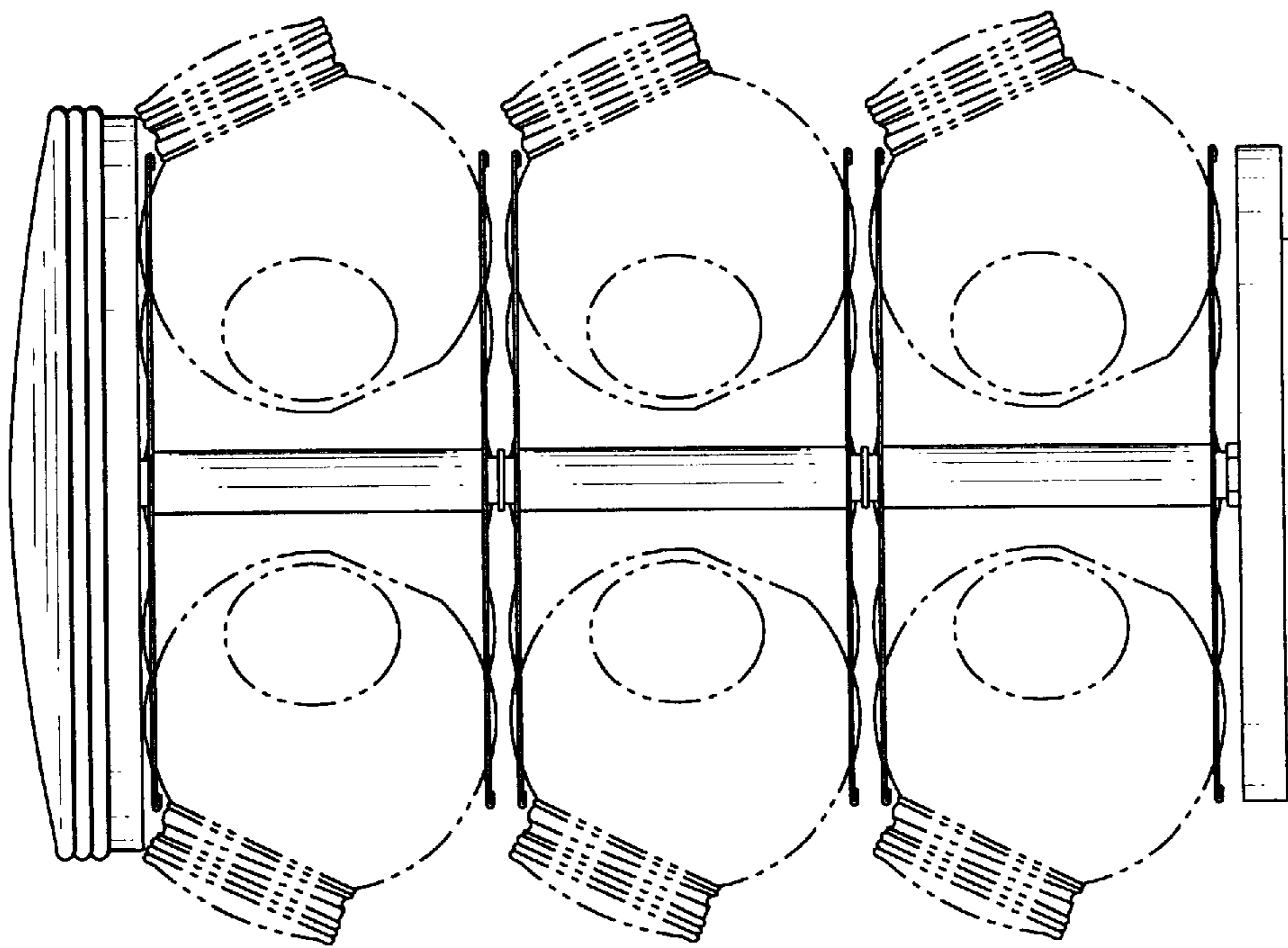


FIG. 2

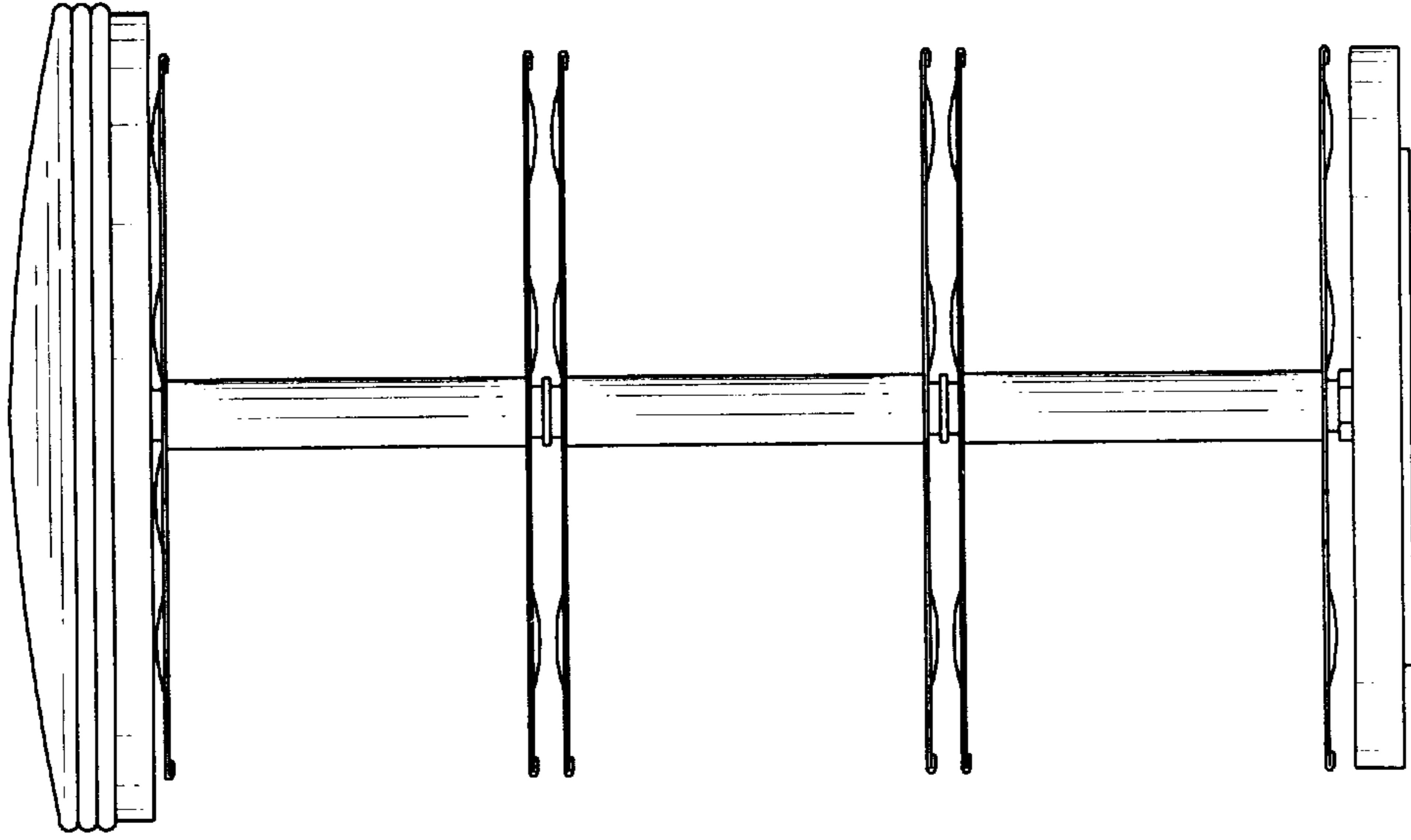


FIG. 5

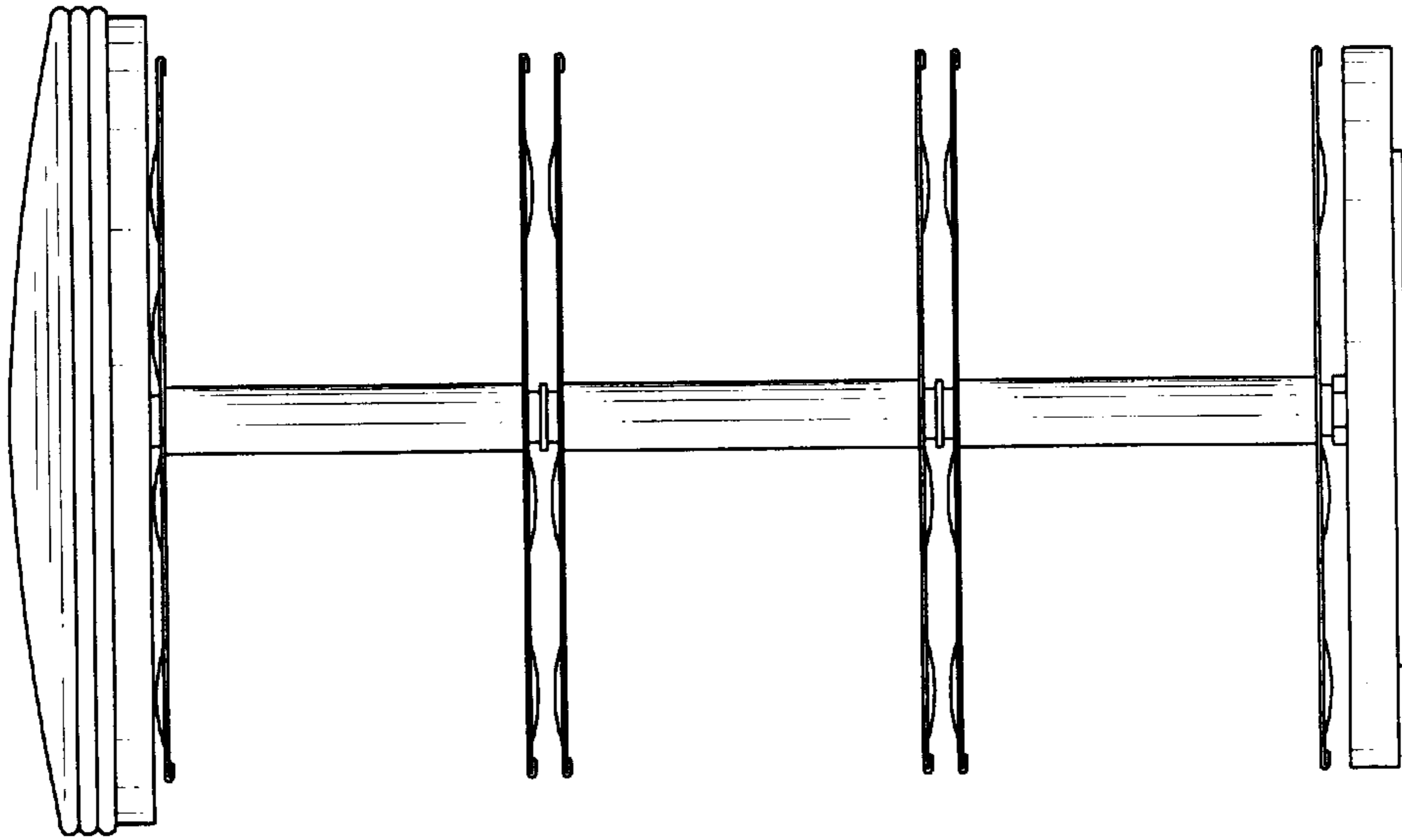


FIG. 4

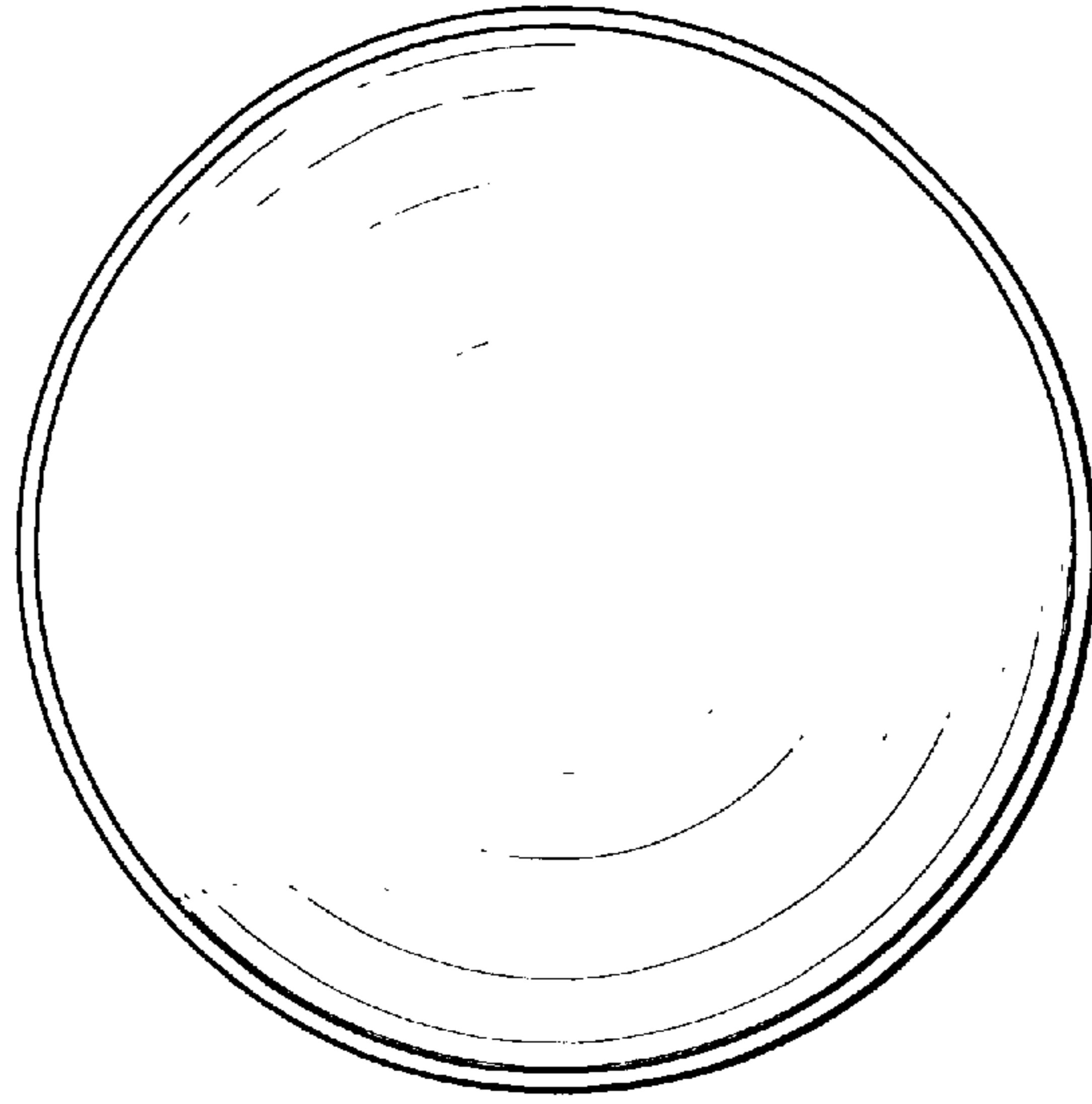


FIG. 6

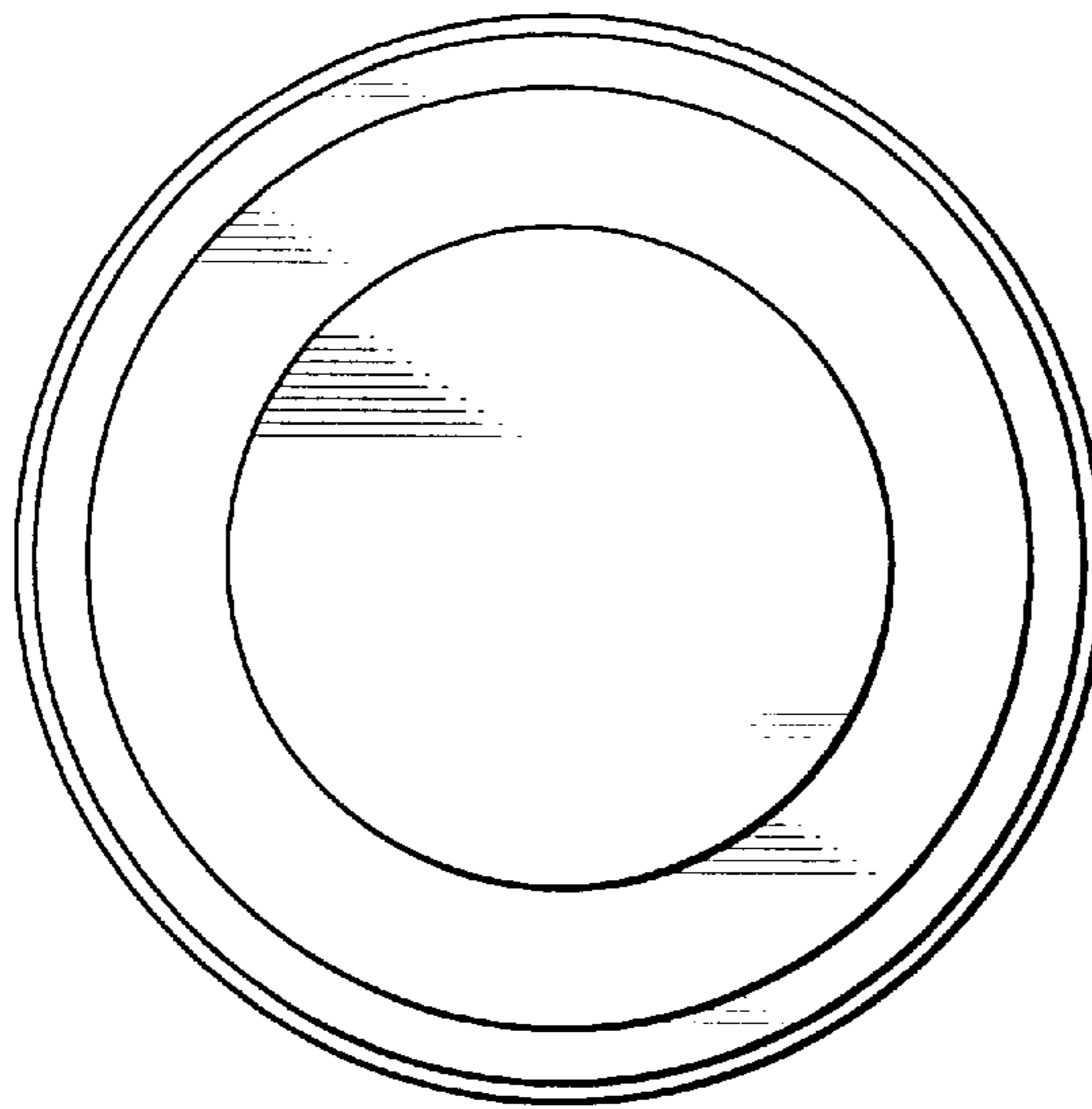


FIG. 7