



US00D407278S

United States Patent [19] Cousins

[11] **Patent Number: Des. 407,278**

[45] **Date of Patent: **Mar. 30, 1999**

[54] **PEELER**

2,554,189 5/1951 Hall D0/123.5

[75] Inventor: **Morison S. Cousins**, Winter Park, Fla.

Primary Examiner—Terry A. Wallace
Attorney, Agent, or Firm—Taylor J. Ross

[73] Assignee: **Dart Industries Inc.**, Orlando, Fla.

[**] Term: **14 Years**

[57] **CLAIM**

The ornamental design for a peeler, as shown and described.

[21] Appl. No.: **89,711**

DESCRIPTION

[22] Filed: **Jun. 20, 1998**

[51] **LOC (6) Cl.** **07-06**

[52] **U.S. Cl.** **D7/695**

[58] **Field of Search** D7/682-695, 395,
D7/401.2; 30/279.4, 279.6, 280, 123.5-123.7

FIG. 1 is a top, front and end perspective view of a peeler showing my new design;

FIG. 2 is a top plan view thereof;

FIG. 3 is a bottom plan view thereof;

FIG. 4 is a rear elevation view thereof;

FIG. 5 is a front elevation view of FIG. 3;

FIG. 6 is a left end view thereof; and,

FIG. 7 is a right end view thereof.

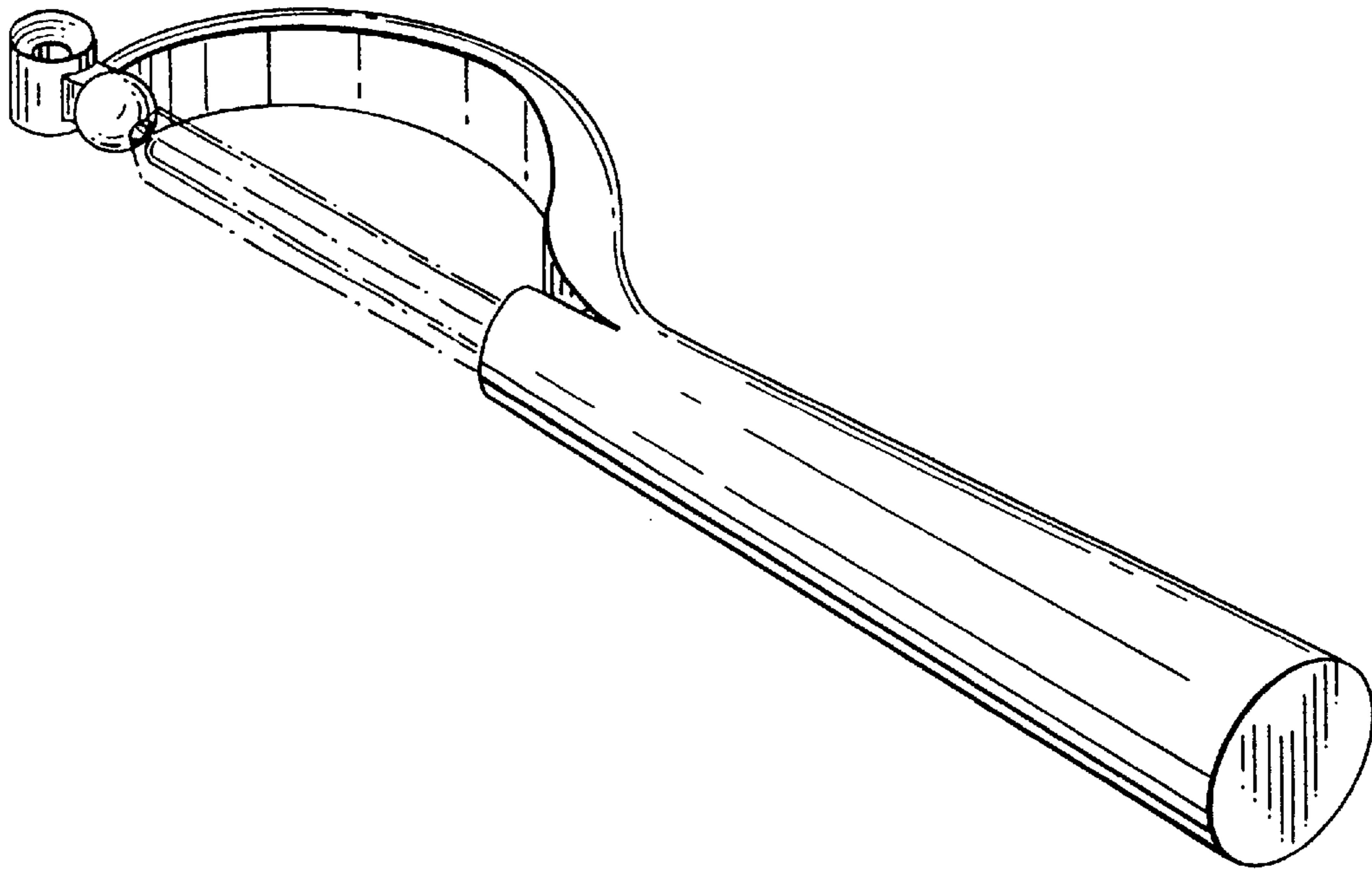
The blade is shown in phantom lines for environment purposes only.

[56] **References Cited**

U.S. PATENT DOCUMENTS

- D. 114,474 4/1939 Senkewitz D7/695
- D. 354,888 1/1995 Cousins D7/695
- D. 397,921 9/1998 Joergensen D7/695

1 Claim, 2 Drawing Sheets



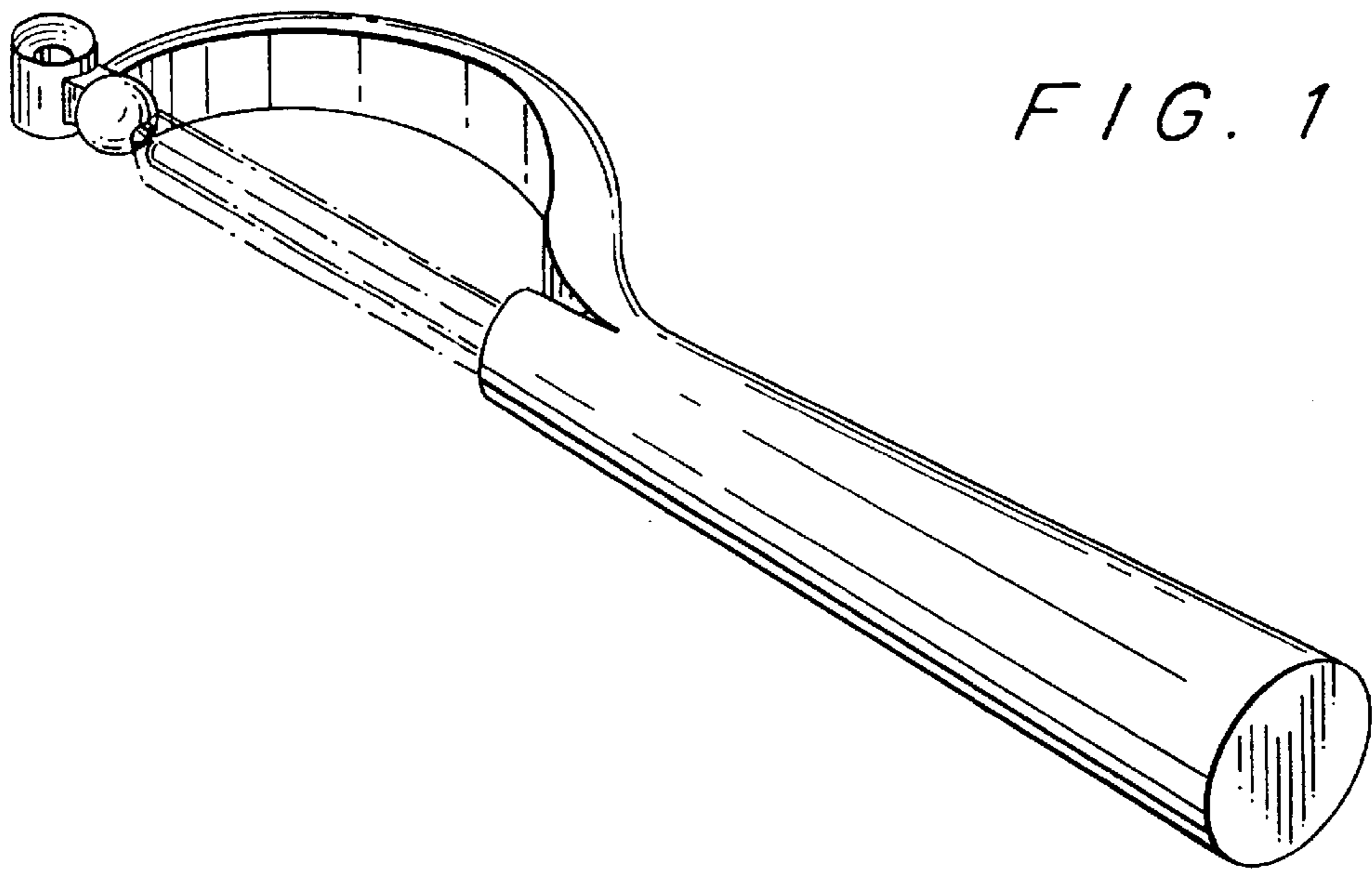


FIG. 1

FIG. 2

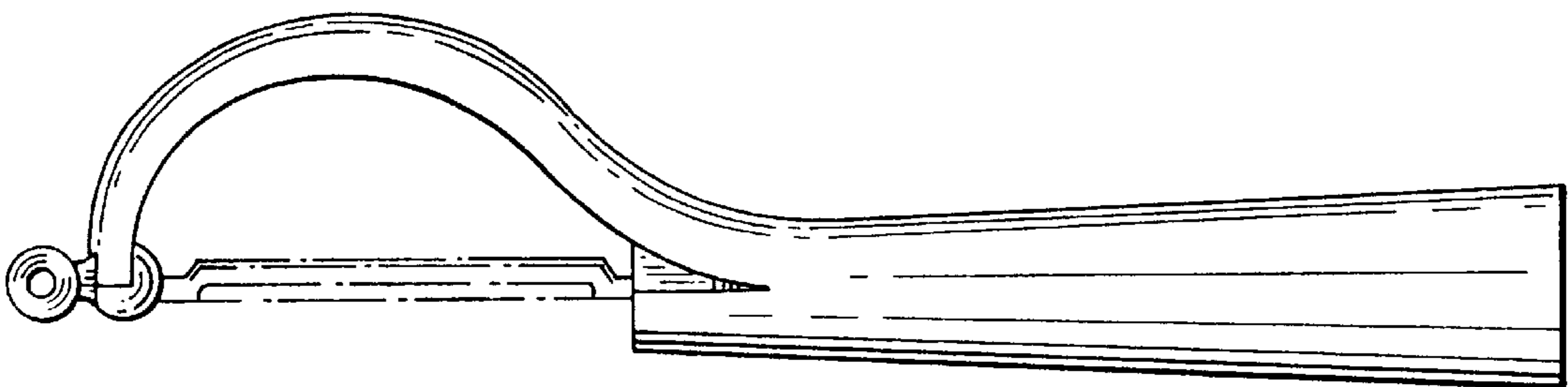


FIG. 3

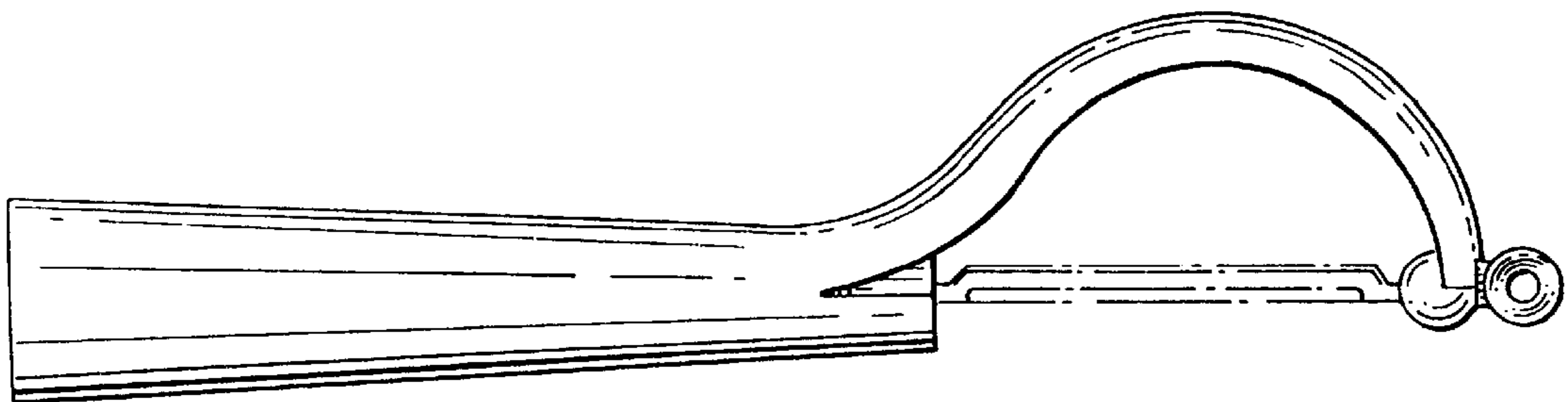


FIG. 4

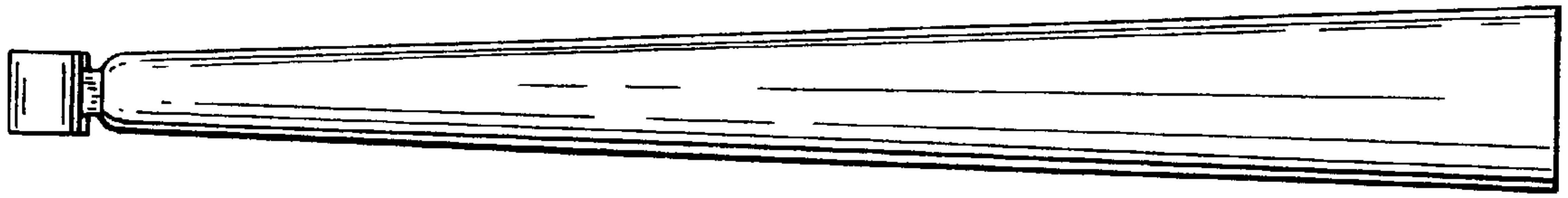


FIG. 5

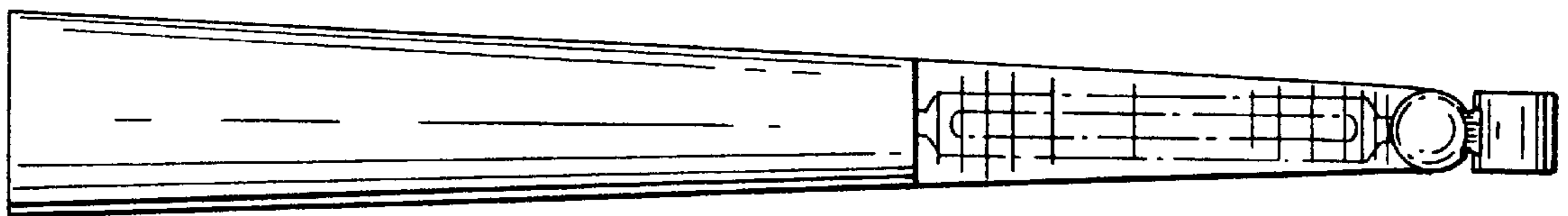


FIG. 6

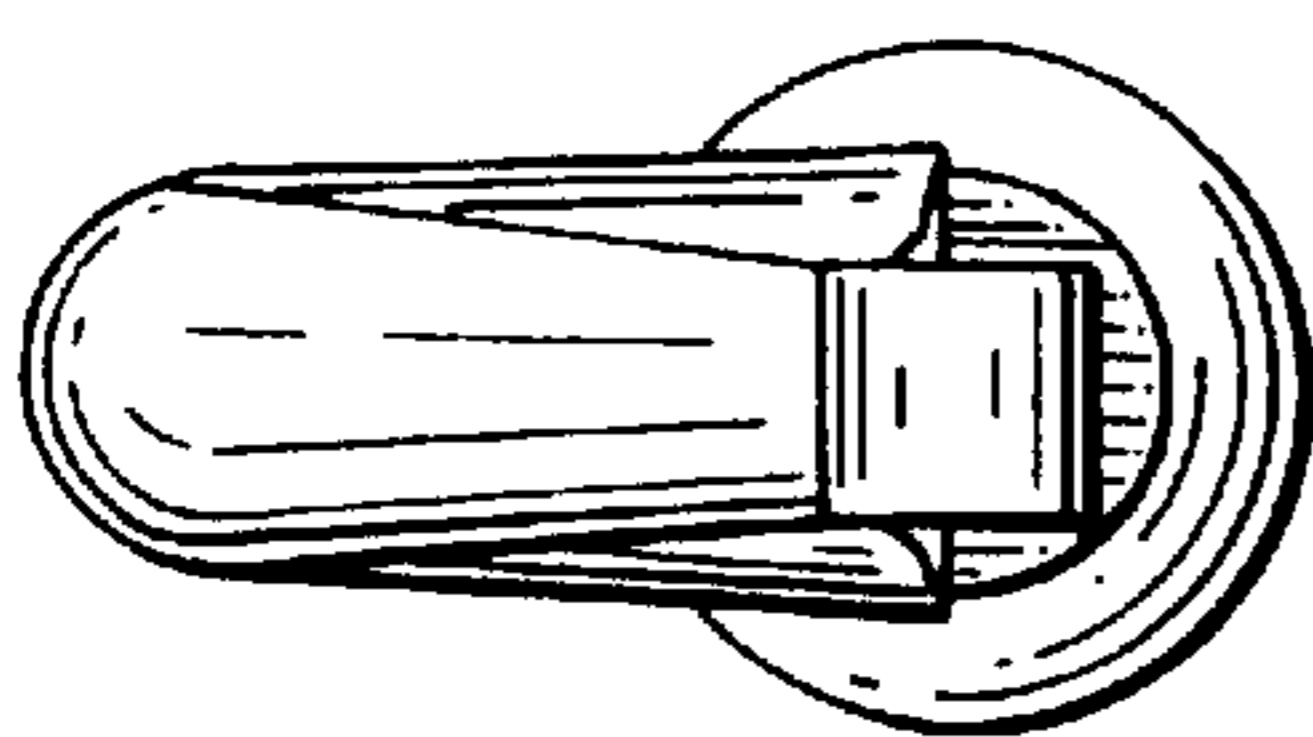


FIG. 7

