

US00D407274S

# United States Patent [19]

Lake et al.

[11] **Patent Number: Des. 407,274**

[45] **Date of Patent: \*\*Mar. 30, 1999**

[54] **BABY SPOON AIRPLANE**

D. 310,944 10/1990 Lutzker ..... D7/655

[76] Inventors: **Melissa W. Lake**, 321 Sunny La., Belleair, Fla. 33756; **Peter Dunst**, 1648 Summerdale Dr., Clearwater, Fla. 33764

*Primary Examiner*—Caron D. Veynar  
*Attorney, Agent, or Firm*—Larson & Larson, P.A.; James E. Larson

[\*\*] Term: **14 Years**

### [57] CLAIM

[21] Appl. No.: **83,948**

The ornamental design for a baby spoon airplane, as shown and described.

[22] Filed: **Feb. 20, 1998**

### DESCRIPTION

[51] **LOC (6) Cl.** ..... **07-03**

[52] **U.S. Cl.** ..... **D7/655**

[58] **Field of Search** ..... D7/651, 654, 655; D4/107; 30/324

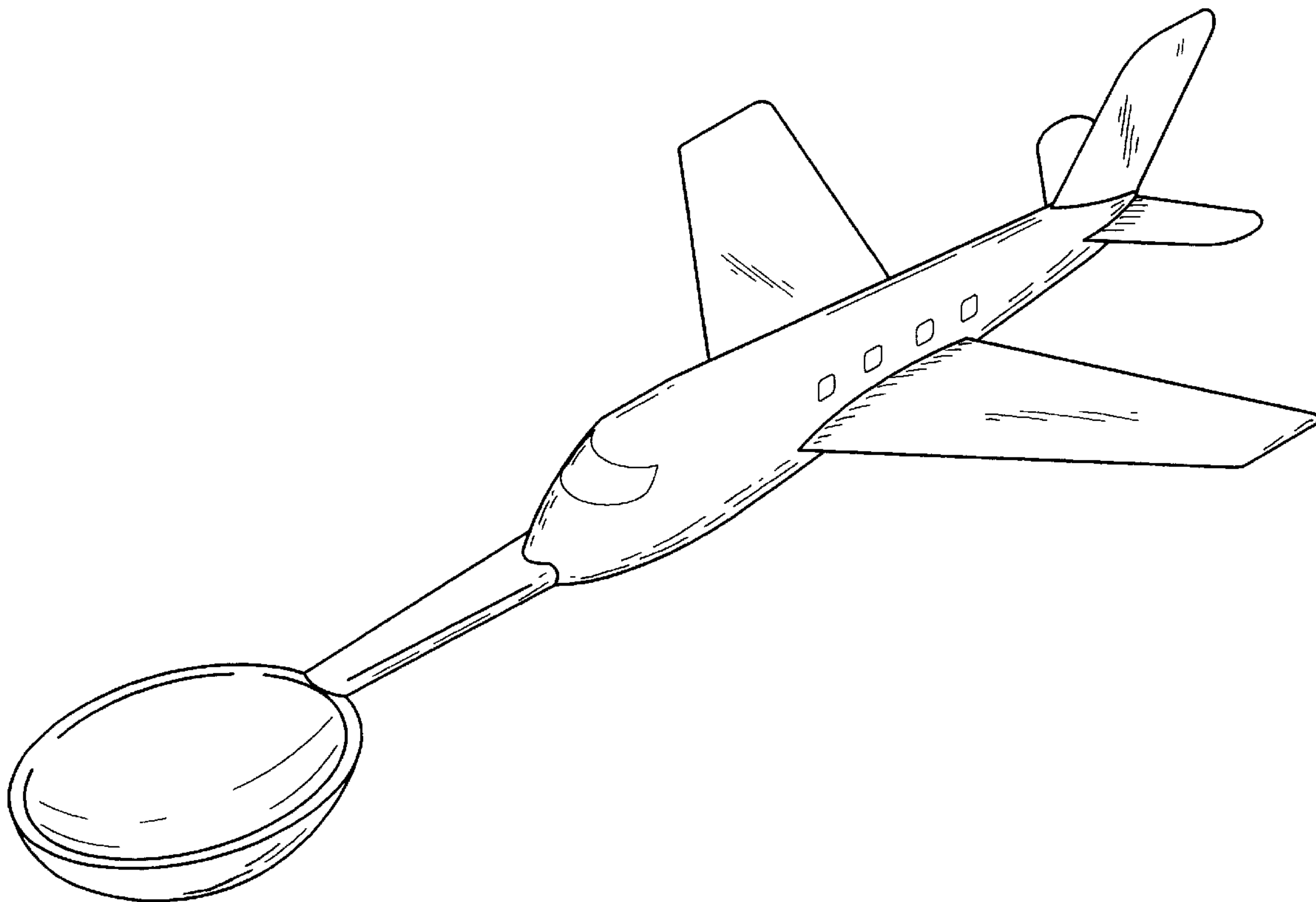
FIG. 1 is a perspective view of our baby spoon airplane showing our new design;  
FIG. 2 is a left side elevational view thereof;  
FIG. 3 is a right side elevational view thereof;  
FIG. 4 is a top plan view thereof;  
FIG. 5 is a bottom plan view thereof;  
FIG. 6 is a front view thereof; and,  
FIG. 7 is a rear view thereof.

### [56] References Cited

#### U.S. PATENT DOCUMENTS

- D. 172,480 6/1954 Silletti ..... D7/655
- D. 257,757 1/1981 Acker ..... D7/655
- D. 302,510 8/1989 Bergman ..... D7/655

**1 Claim, 4 Drawing Sheets**



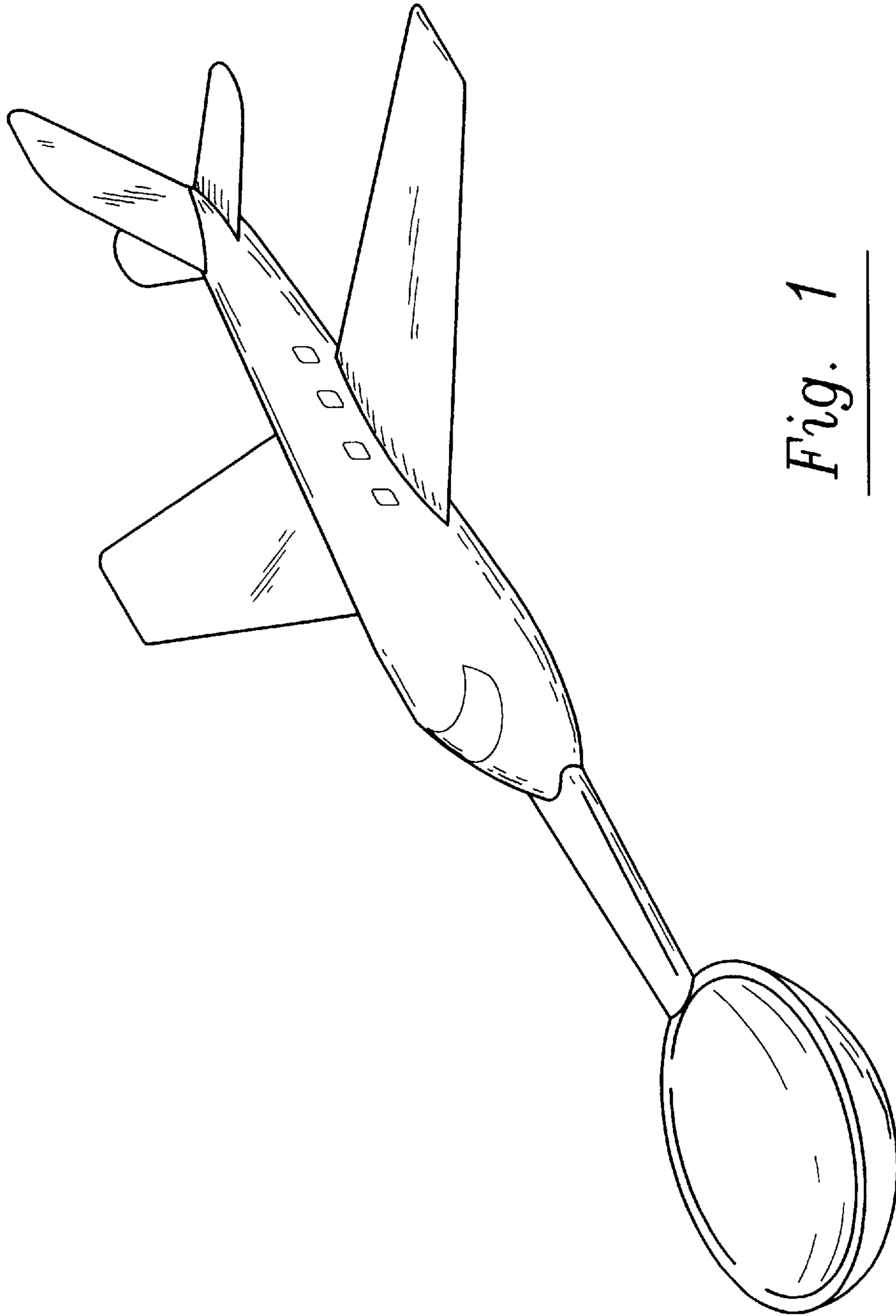
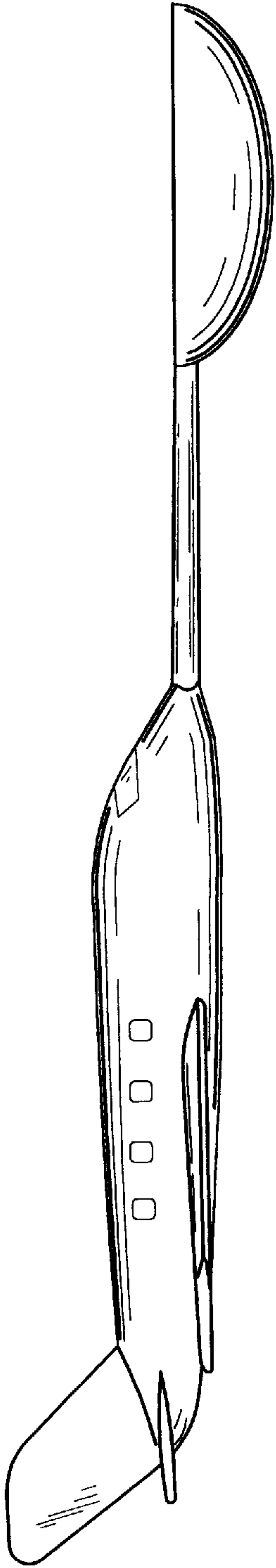
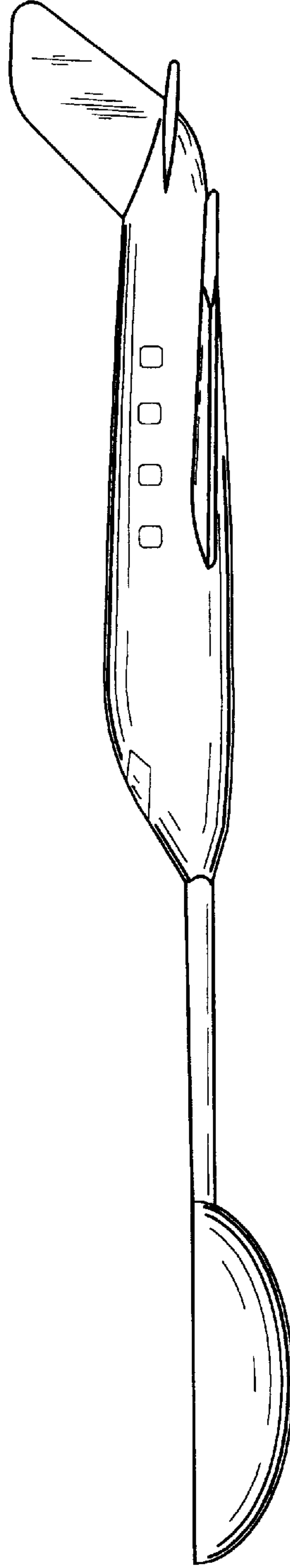


Fig. 1



*Fig. 2*

---



*Fig. 3*

---

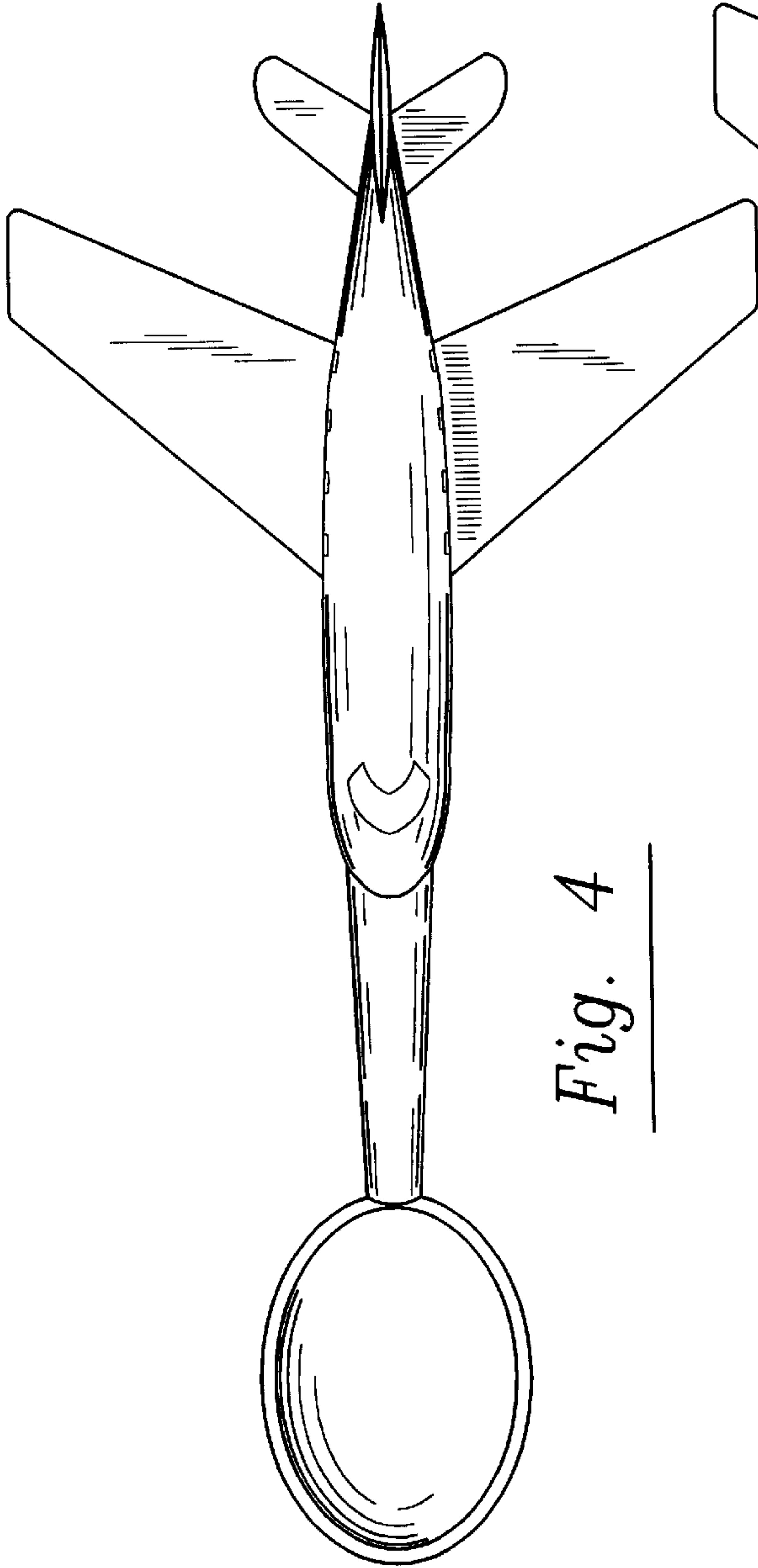


Fig. 4

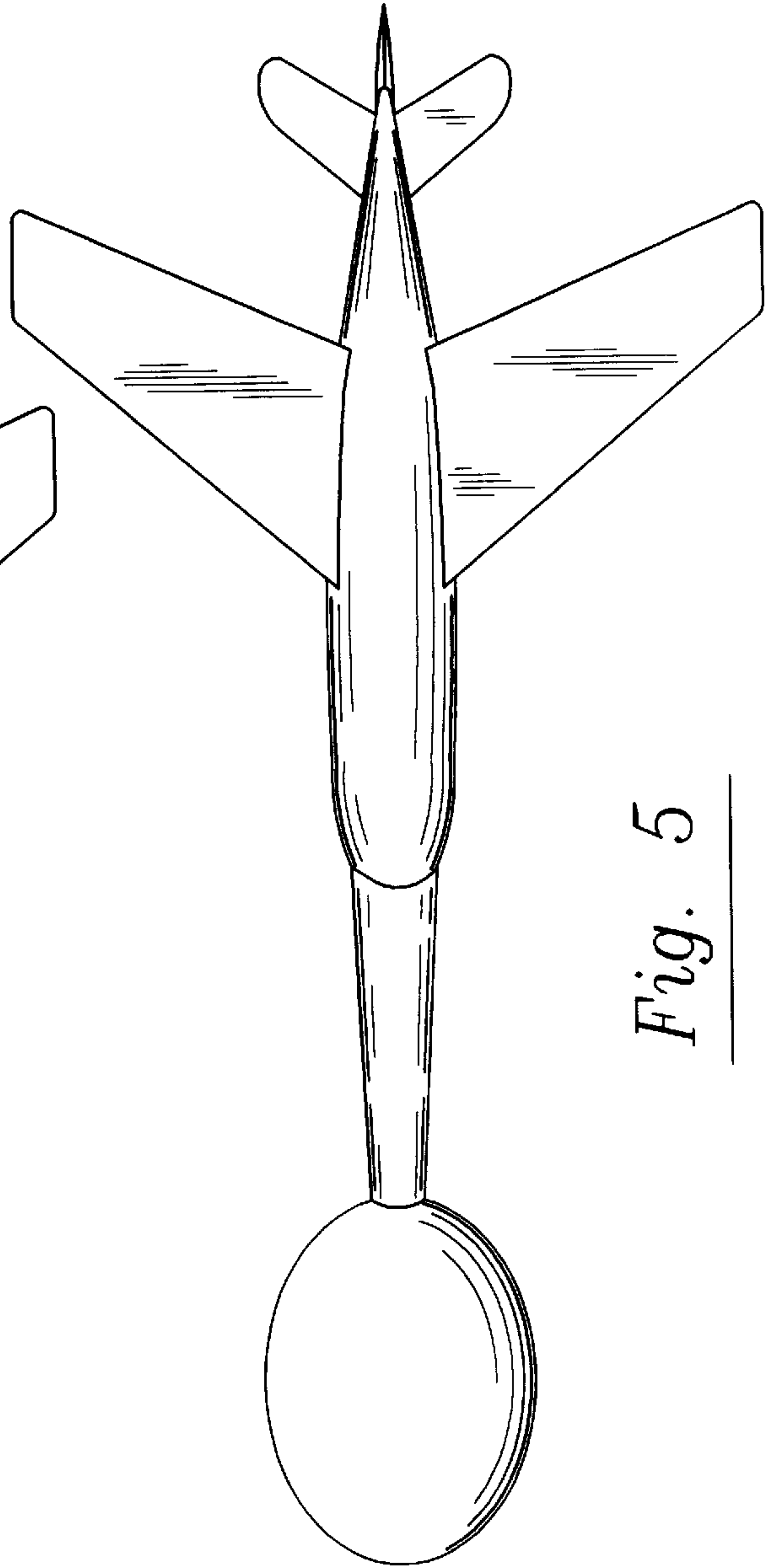


Fig. 5

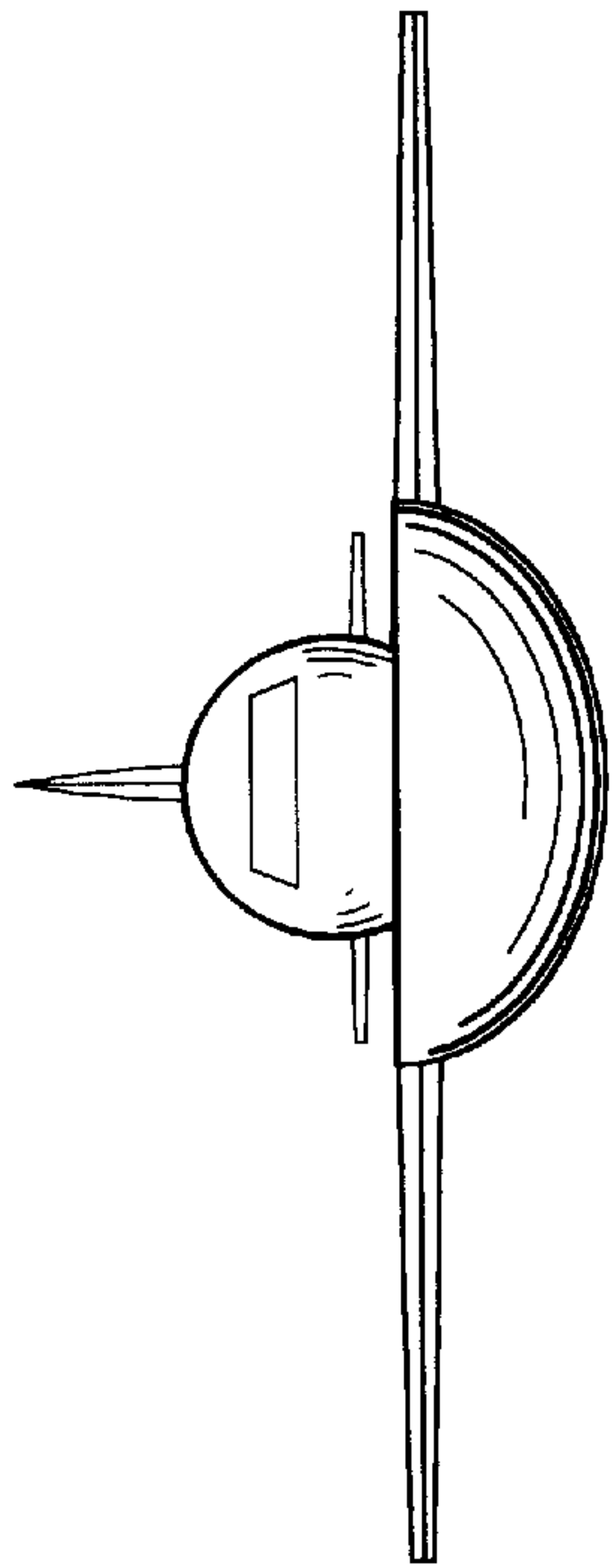


Fig. 6

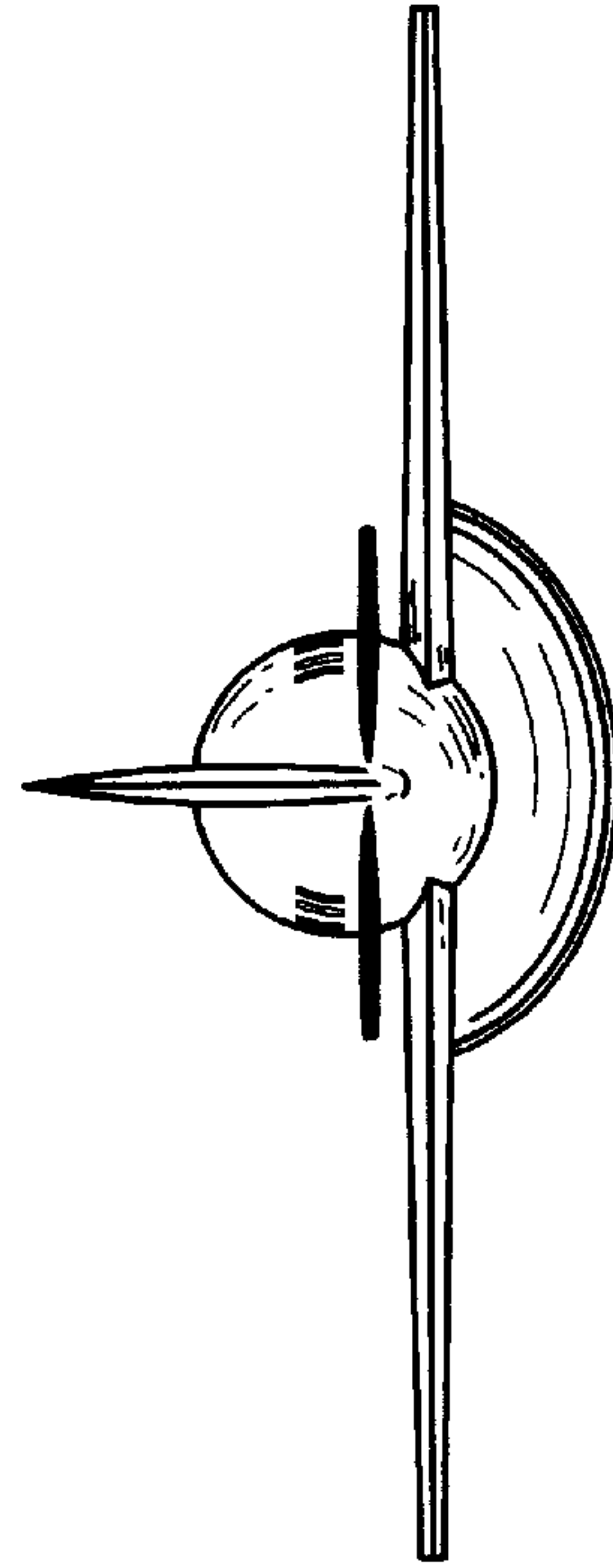


Fig. 7