



US00D407273S

United States Patent [19]
Moran

[11] **Patent Number: Des. 407,273**

[45] **Date of Patent: **Mar. 30, 1999**

[54] **LIQUID FLASK WITH EASY POURING SPOUT**

[75] Inventor: **Jorge E. Moran**, Nashville, Tenn.

[73] Assignee: **Megatrade International, Inc.**, Nashville, Tenn.

[**] Term: **14 Years**

[21] Appl. No.: **93,855**

[22] Filed: **Sep. 18, 1998**

[51] **LOC (6) Cl.** **07-01**

[52] **U.S. Cl.** **D7/608; D7/319; D7/317; D7/507**

[58] **Field of Search** D7/505, 507, 509, D7/510, 511, 533, 536, 316, 317, 318, 319, 598, 600, 605, 608, 622; 215/12.1, 13.1; 62/457.1

[56] **References Cited**

U.S. PATENT DOCUMENTS

D. 200,978 4/1965 Seltz D7/608

D. 295,355 4/1988 Leung D7/608
D. 303,905 10/1989 Gilbert D7/317
D. 364,301 11/1995 Morgan D7/319
D. 395,794 7/1998 Moran D7/608
4,792,994 12/1988 Aylward 62/457.1

Primary Examiner—M. N. Pandozzi

Attorney, Agent, or Firm—Arent Fox Kintner Plotkin & Kahn, PLLC

[57] **CLAIM**

The ornamental design for a liquid flask with easy pouring spout, as shown and described.

DESCRIPTION

FIG. 1 is a front elevation view of the liquid flask with easy pouring spout showing my new design; FIG. 2 is a side elevation view thereof; FIG. 3 is a rear elevation view thereof; FIG. 4 is an exploded side elevation view thereof; FIG. 5 is a top plan view thereof; FIG. 6 is a bottom plan view thereof; and, FIG. 7 is a top plan view thereof with the cup lid removed for ease of illustration.

1 Claim, 3 Drawing Sheets

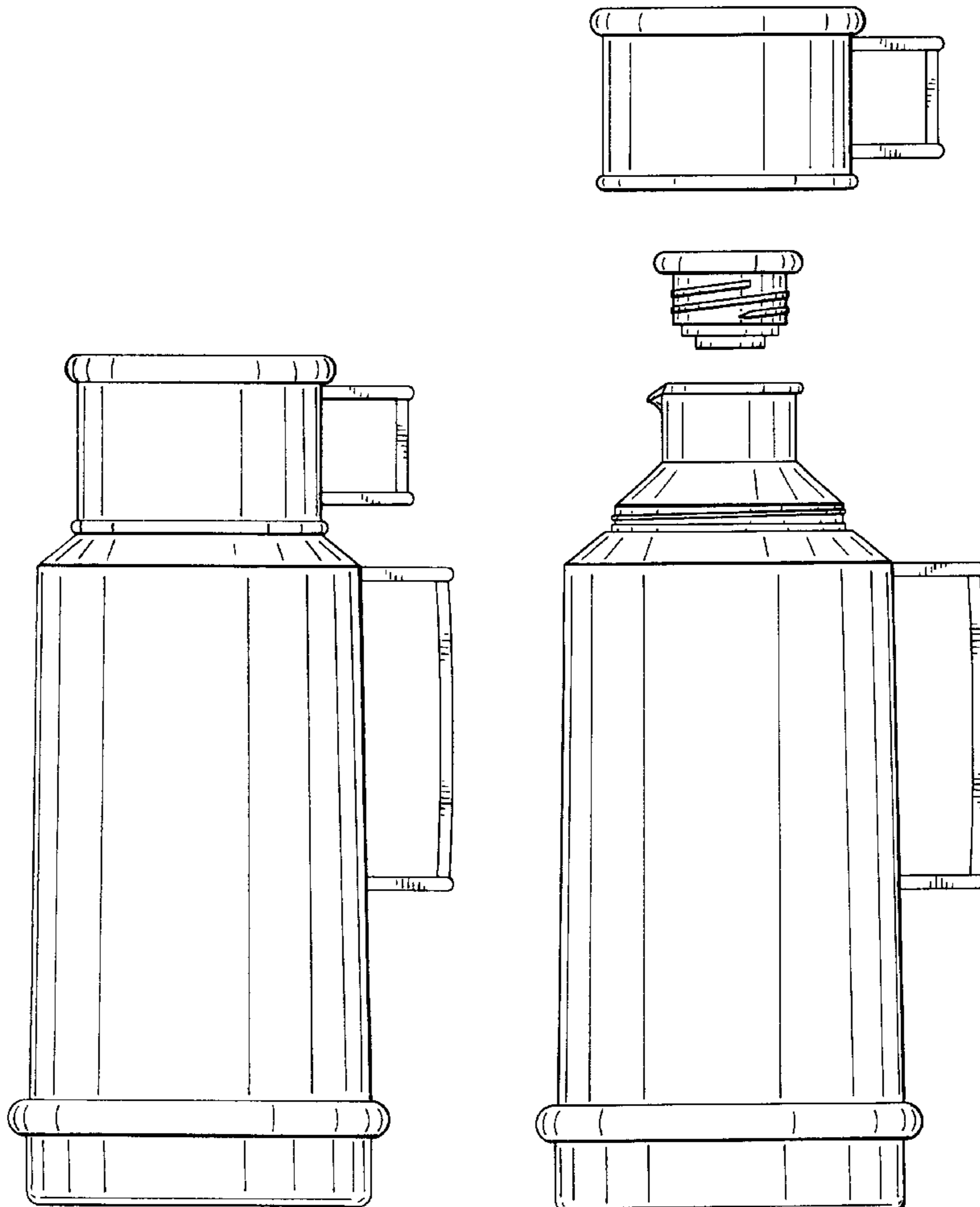


FIG.1

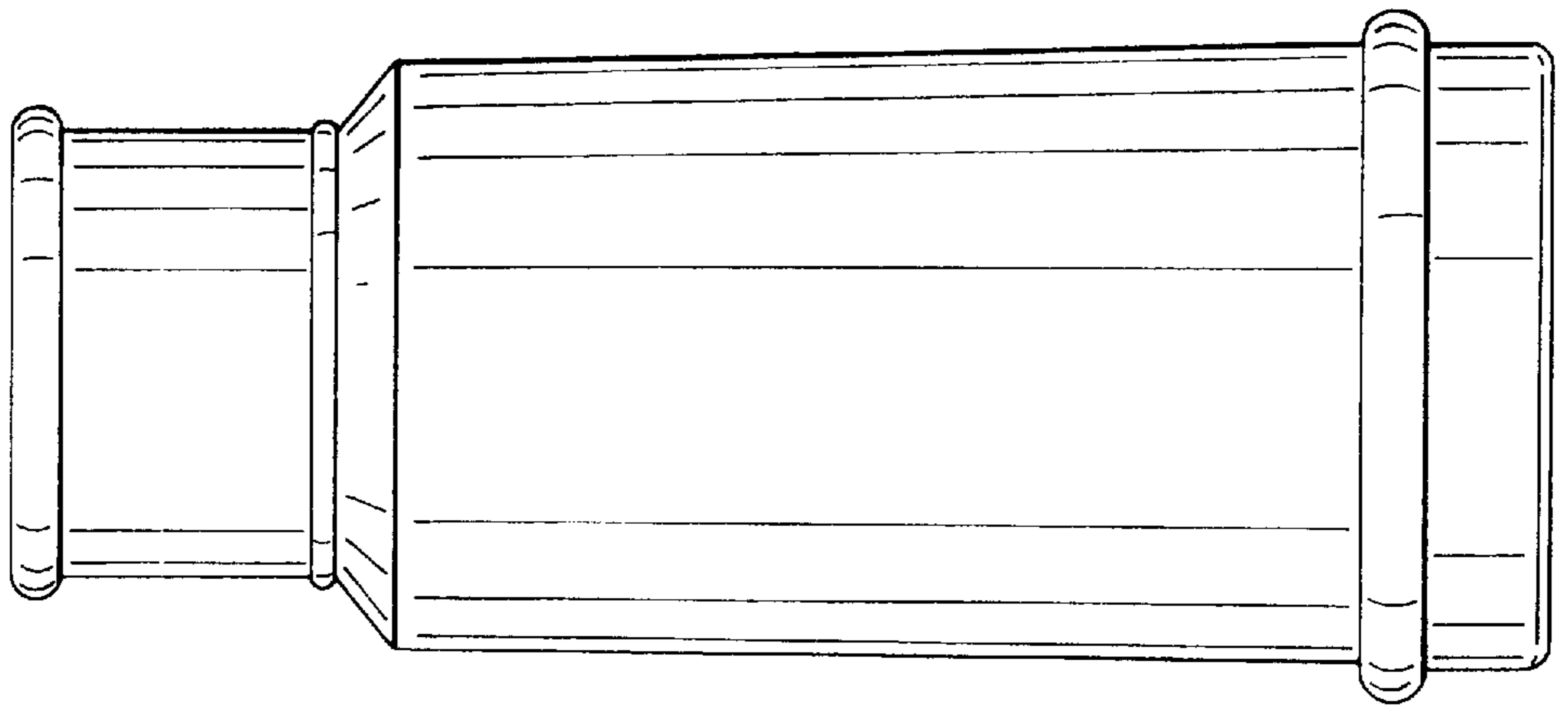


FIG.2

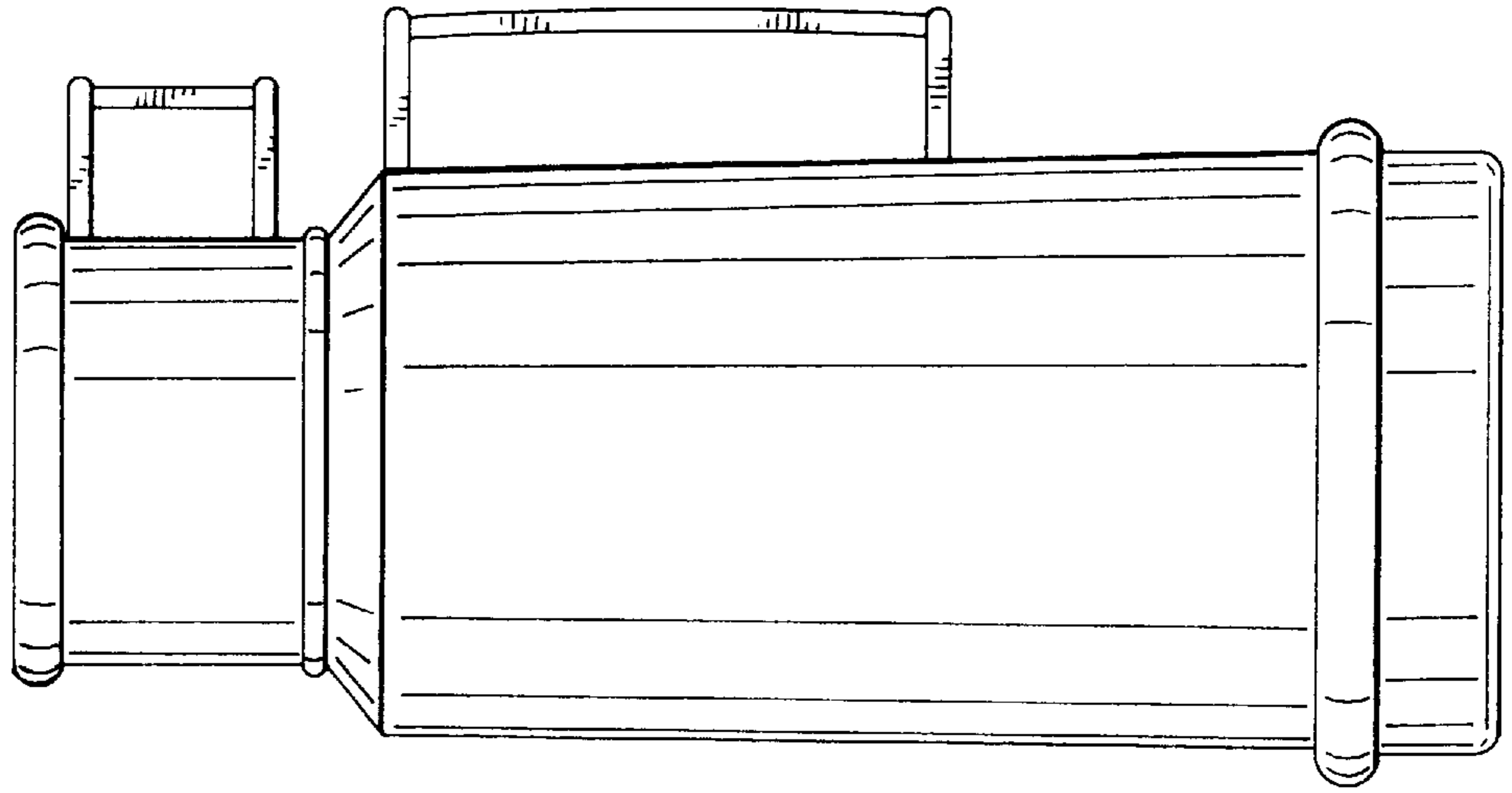
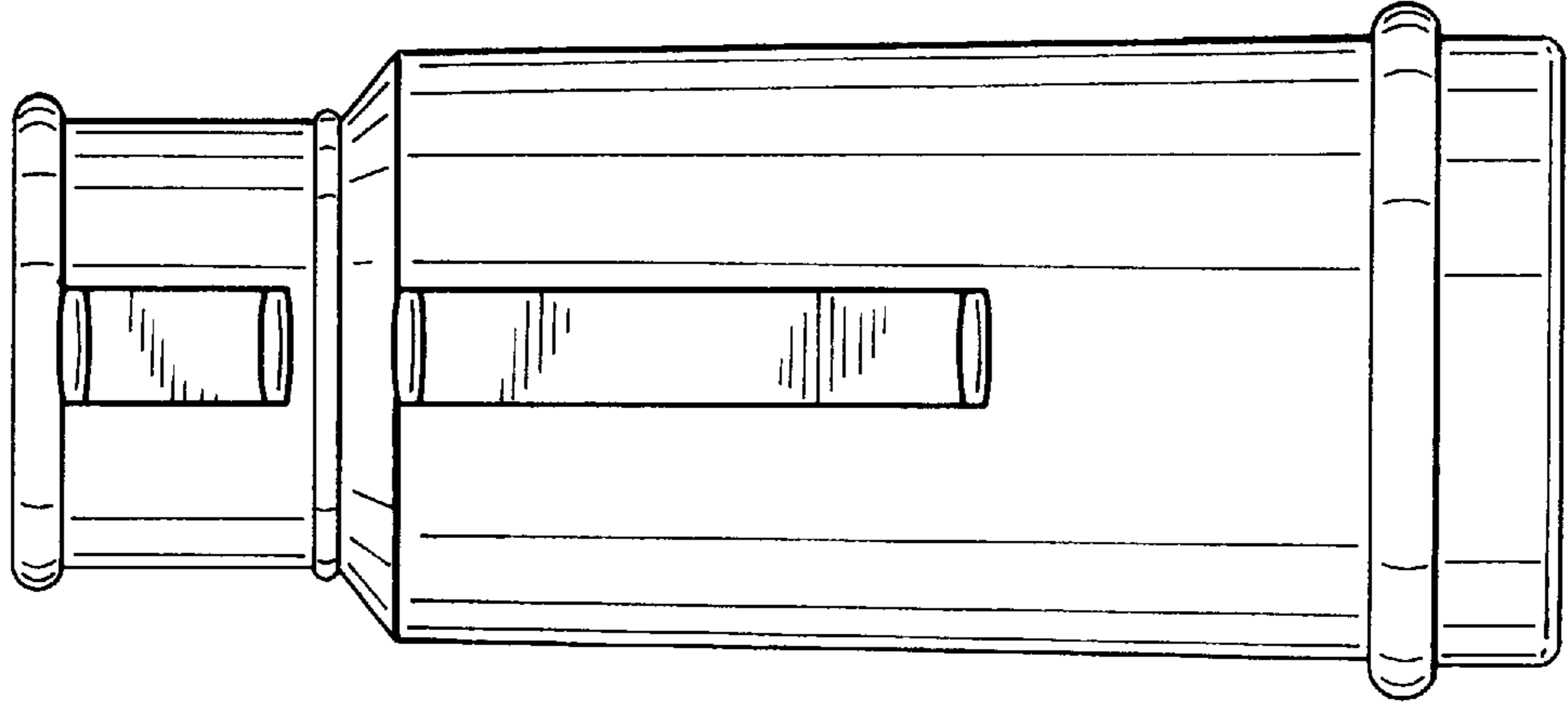


FIG.3



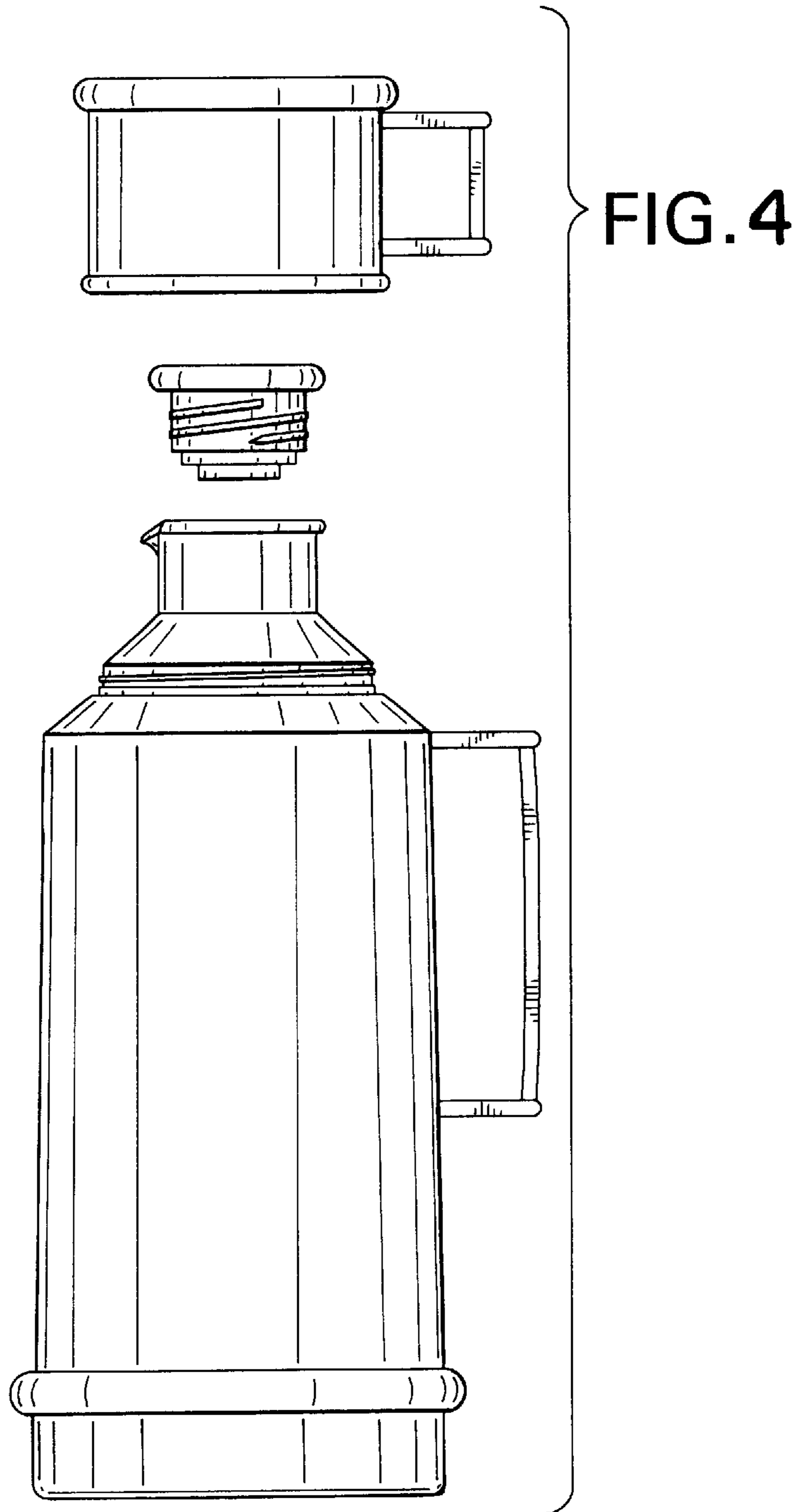


FIG. 7

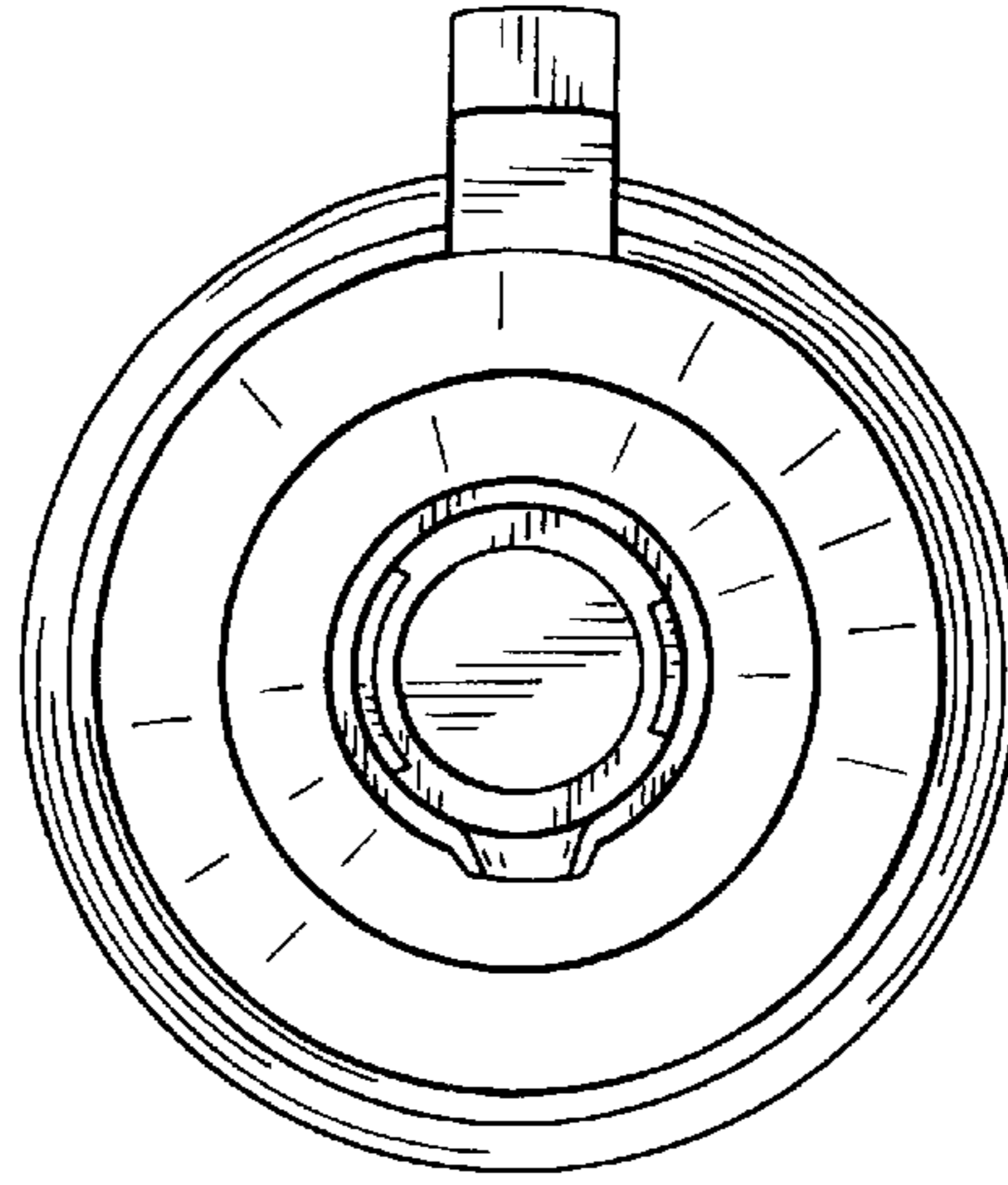


FIG. 6

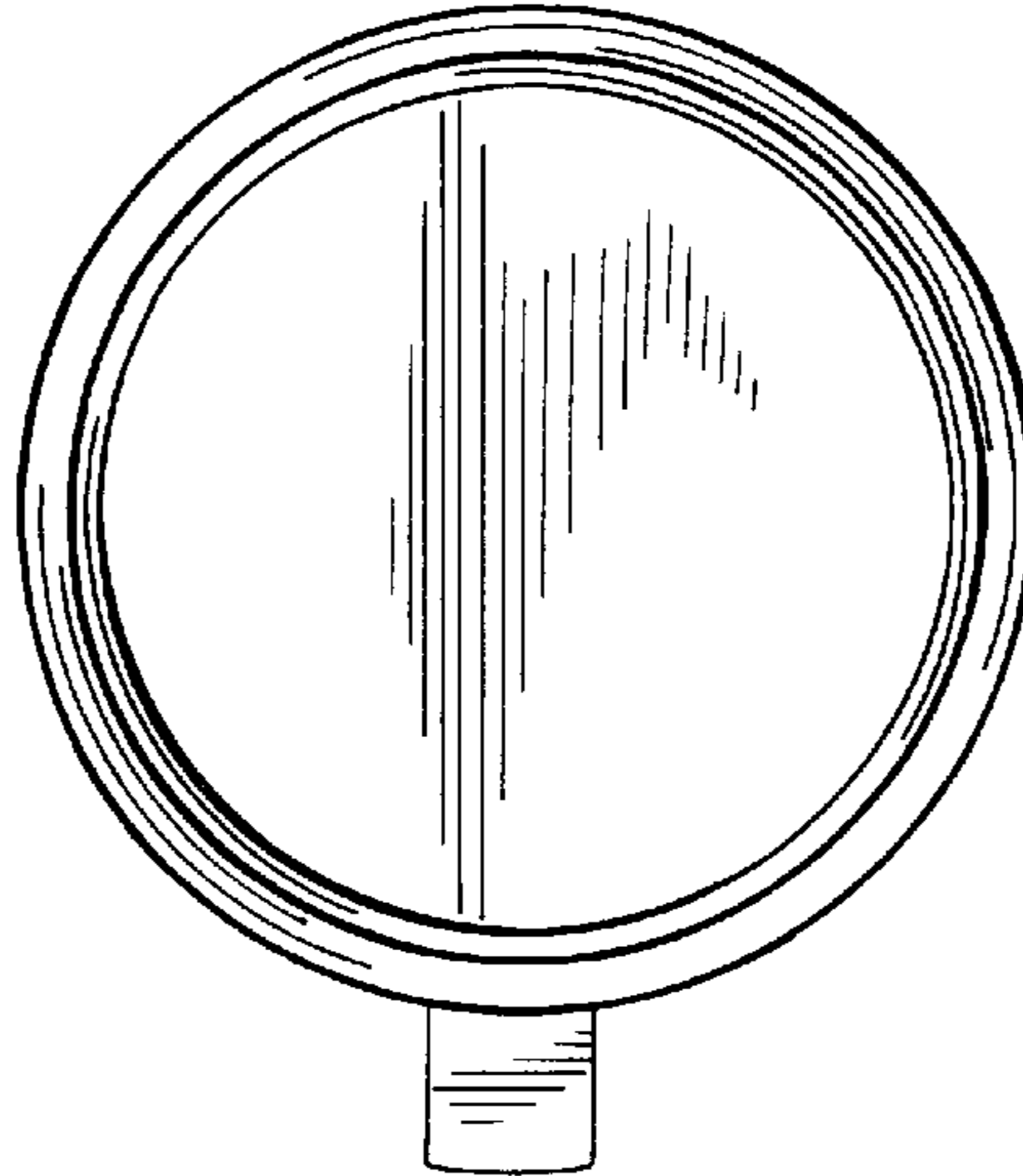


FIG. 5

