



US00D407265S

United States Patent [19] Sundquist

[11] **Patent Number: Des. 407,265**

[45] **Date of Patent: **Mar. 30, 1999**

[54] **VEGETABLE CUTTING UNIT**

[75] Inventor: **Jarl Sundquist**, Sollentuna, Sweden

[73] Assignee: **AB Hälde Maskiner**, Sollentuna, Sweden

[**] Term: **14 Years**

[21] Appl. No.: **81,129**

[22] Filed: **Dec. 23, 1997**

[30] **Foreign Application Priority Data**

Jun. 26, 1997 [SE] Sweden 97-1476

[51] **LOC (6) Cl.** **31-00**

[52] **U.S. Cl.** **D7/384; D7/381**

[58] **Field of Search** D7/383, 384, 386,
D7/368, 360, 372, 373, 374, 377, 665,
379, 376, 378, 381; 241/36, 37.5, 92, 199.12,
282.1, 282.2

[56] **References Cited**

U.S. PATENT DOCUMENTS

D. 298,204 10/1988 Mikami D7/381 X

D. 325,322 4/1992 Maass D7/384
D. 327,199 6/1992 Frank D7/381
3,032,087 5/1962 Rodwick D7/412 X
4,095,751 6/1978 Artin D7/384 X

Primary Examiner—Caron D. Veynar
Attorney, Agent, or Firm—Alfred J. Mangels

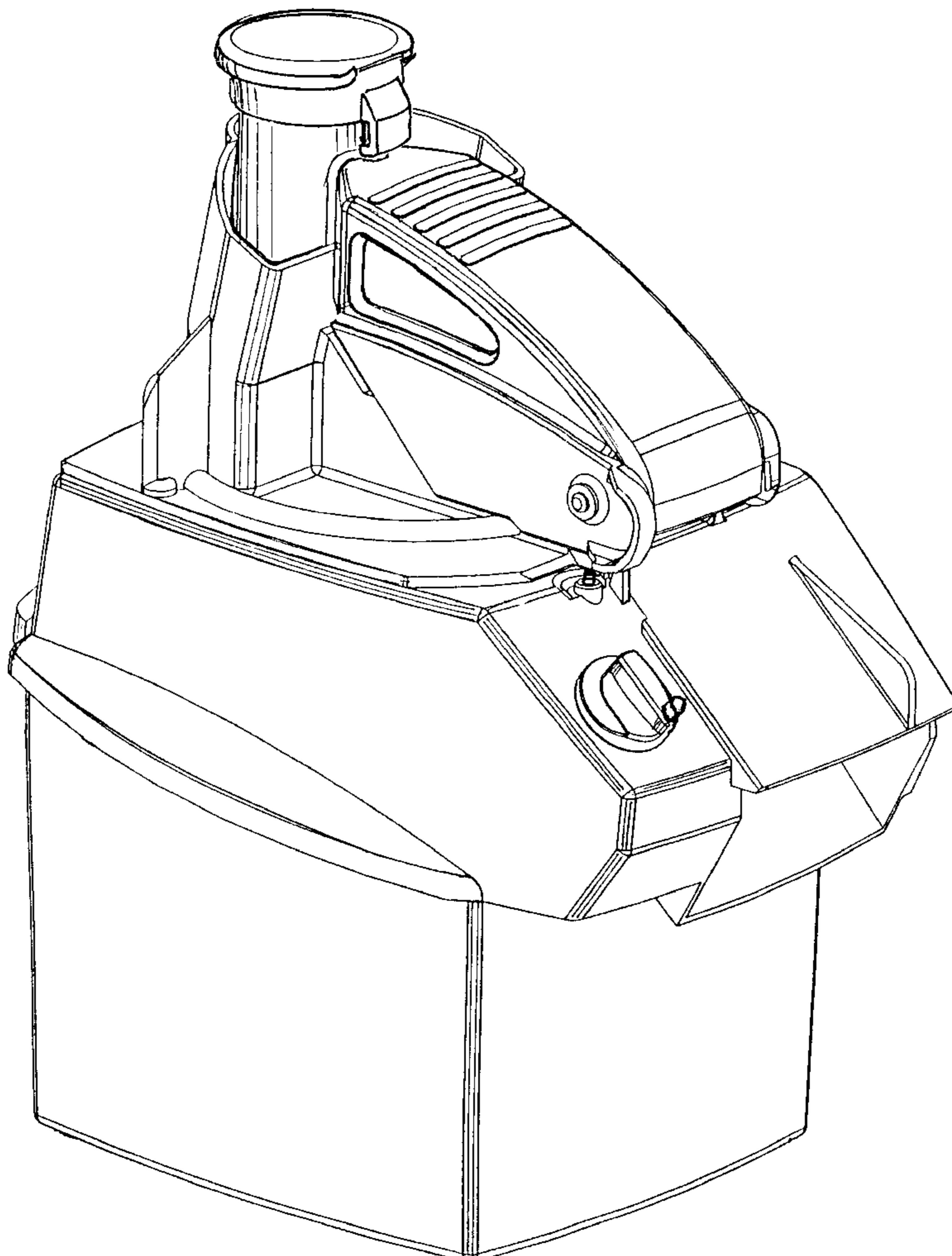
[57] **CLAIM**

The ornamental design for a vegetable cutting unit, as shown and described.

DESCRIPTION

FIG. 1 is a front elevational view of a vegetable cutting unit in accordance with my design;
FIG. 2 is a left side elevational view thereof.
FIG. 3 is a right side elevational view thereof;
FIG. 4 is a rear elevational view thereof;
FIG. 5 is a top plan view thereof;
FIG. 6 is a bottom plan view thereof;
FIG. 7 is a top front perspective view thereof; and,
FIG. 8 is a bottom rear perspective view thereof.

1 Claim, 8 Drawing Sheets



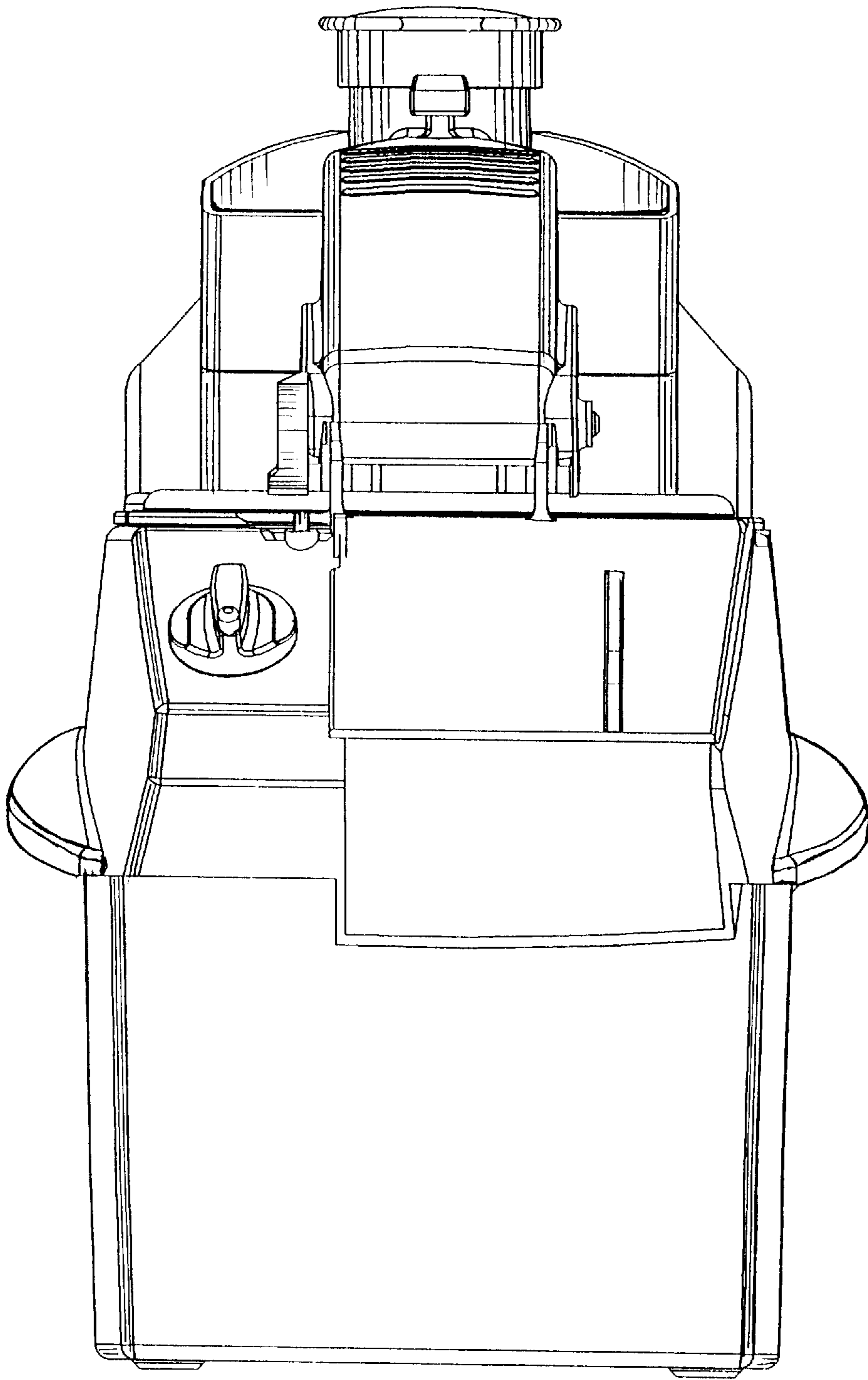


FIG. 1

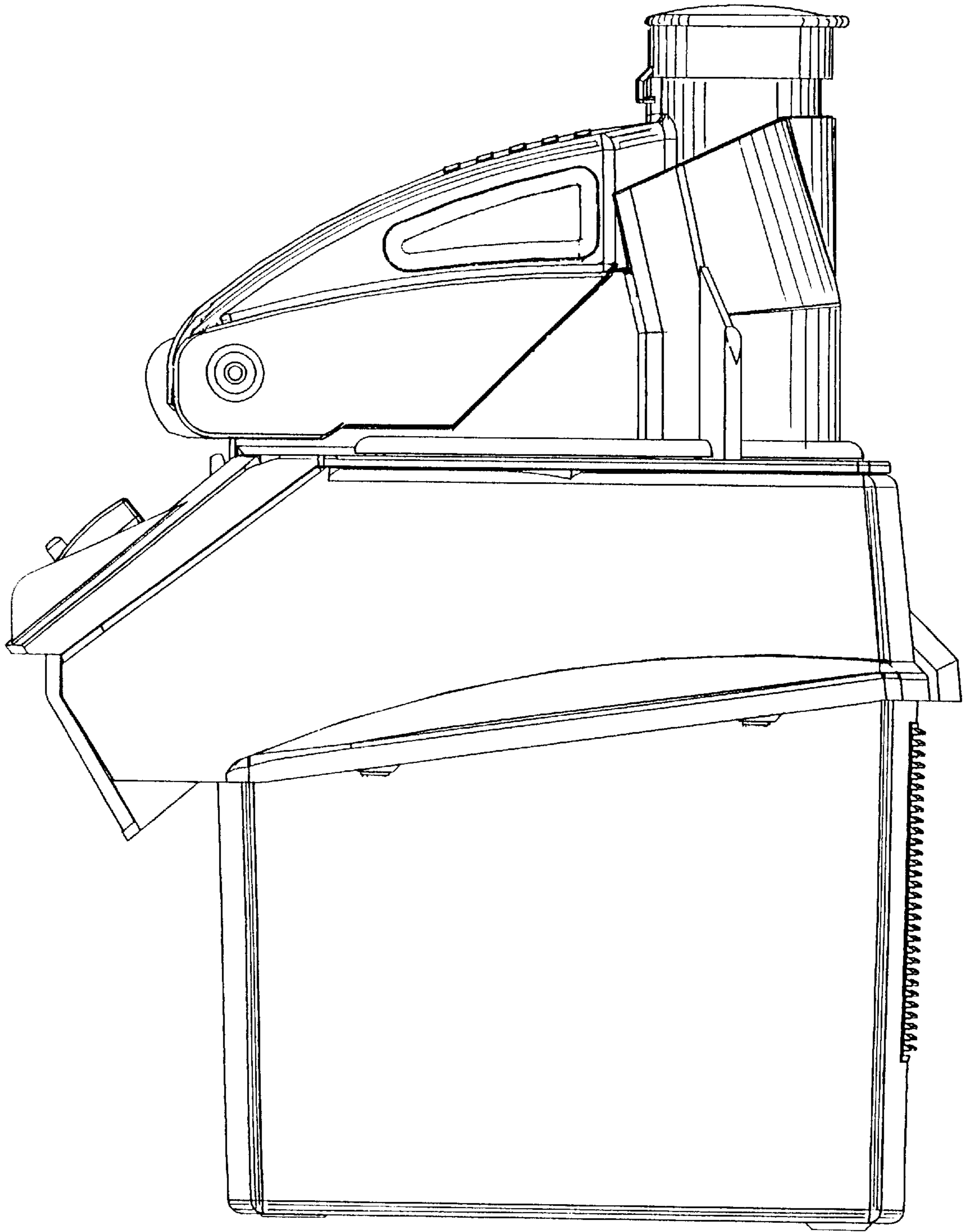


FIG. 2

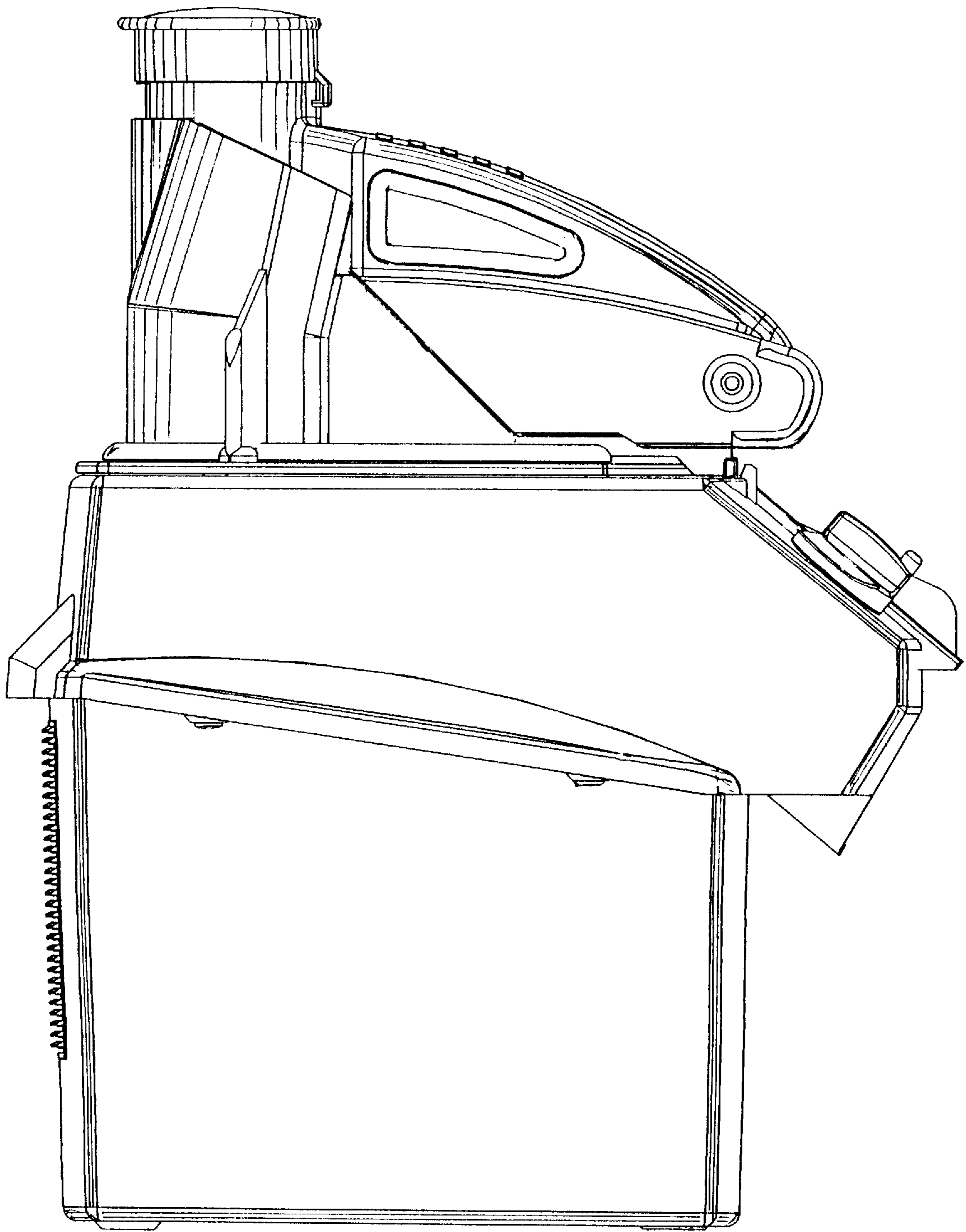


FIG. 3

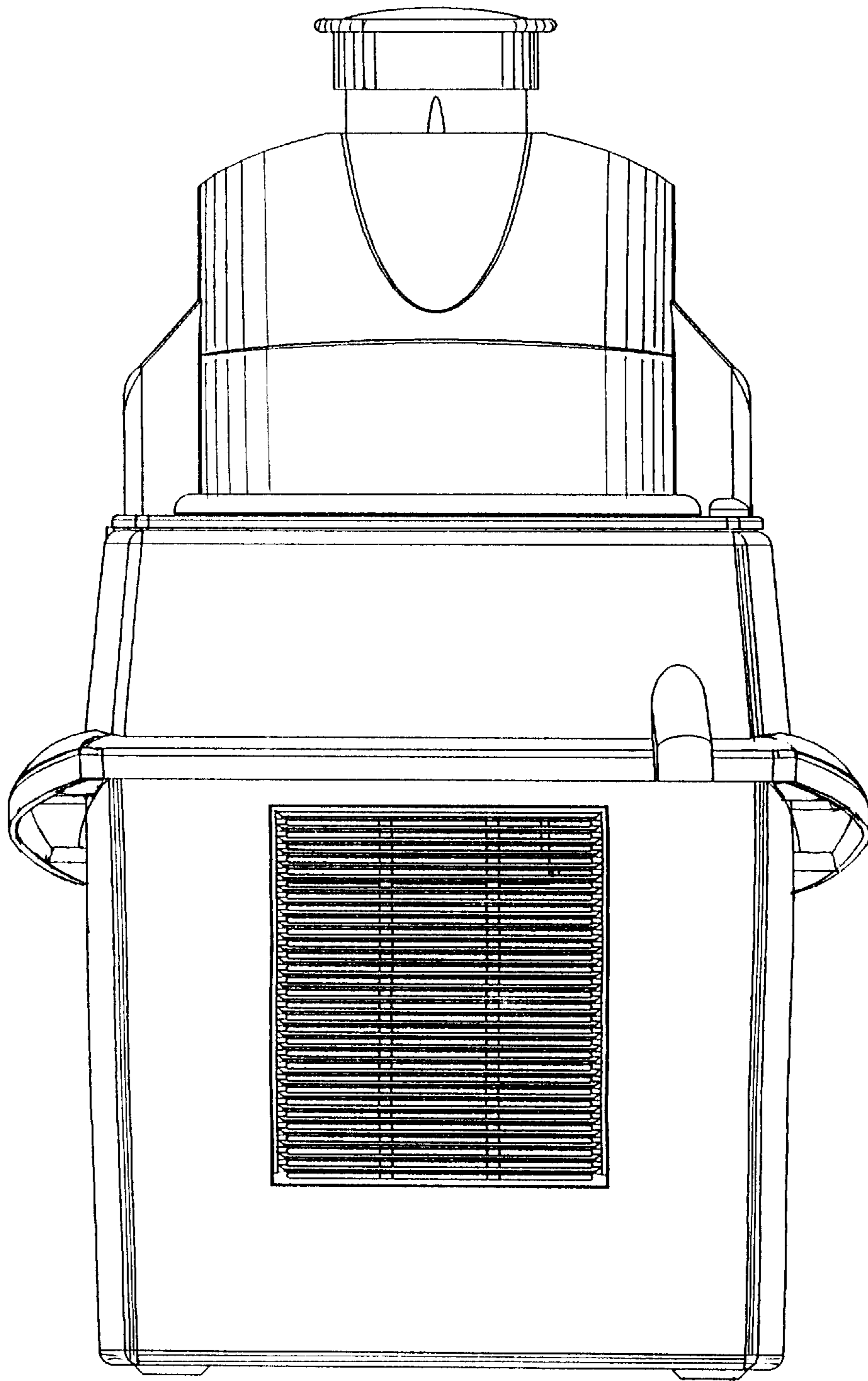


FIG. 4

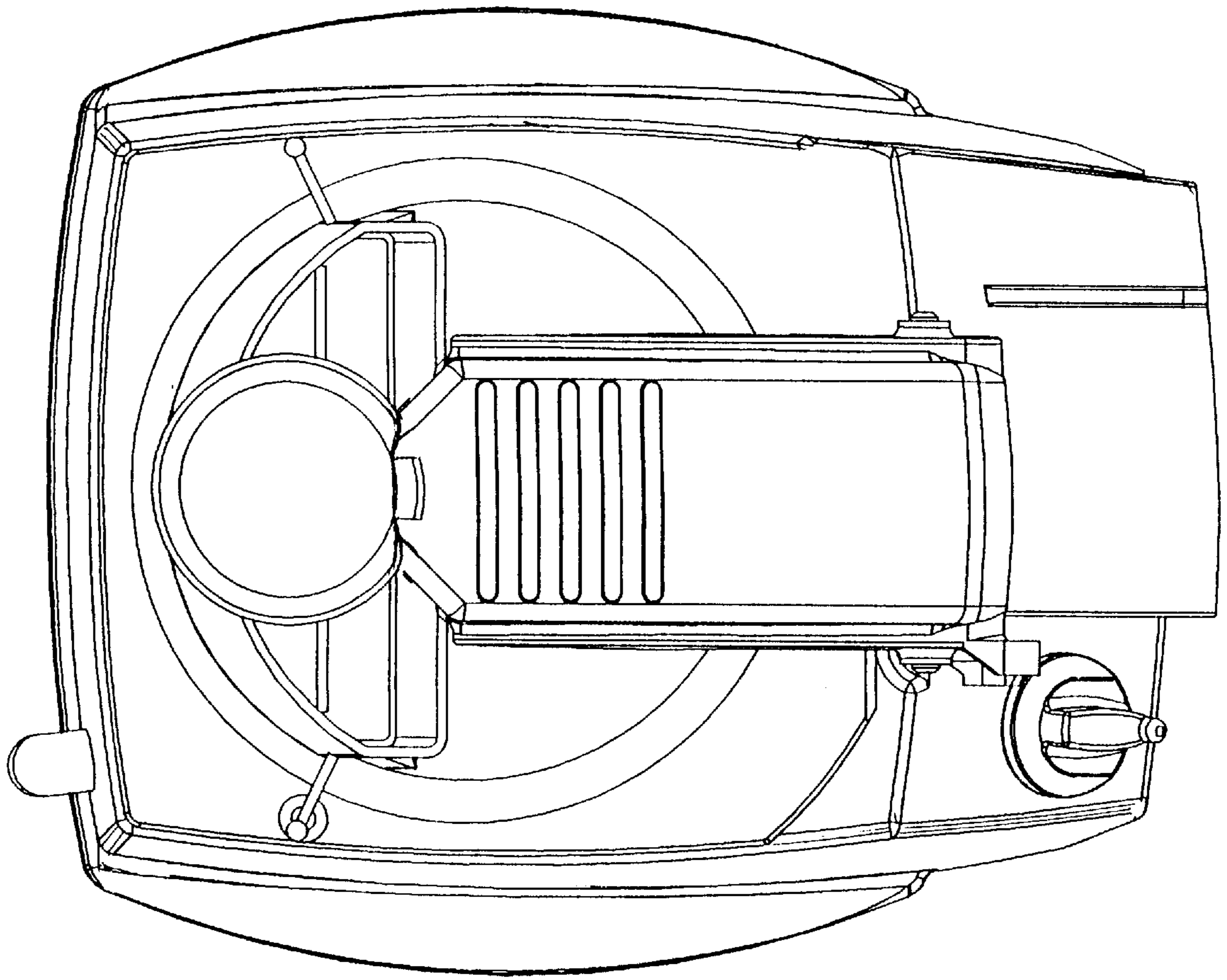


FIG. 5

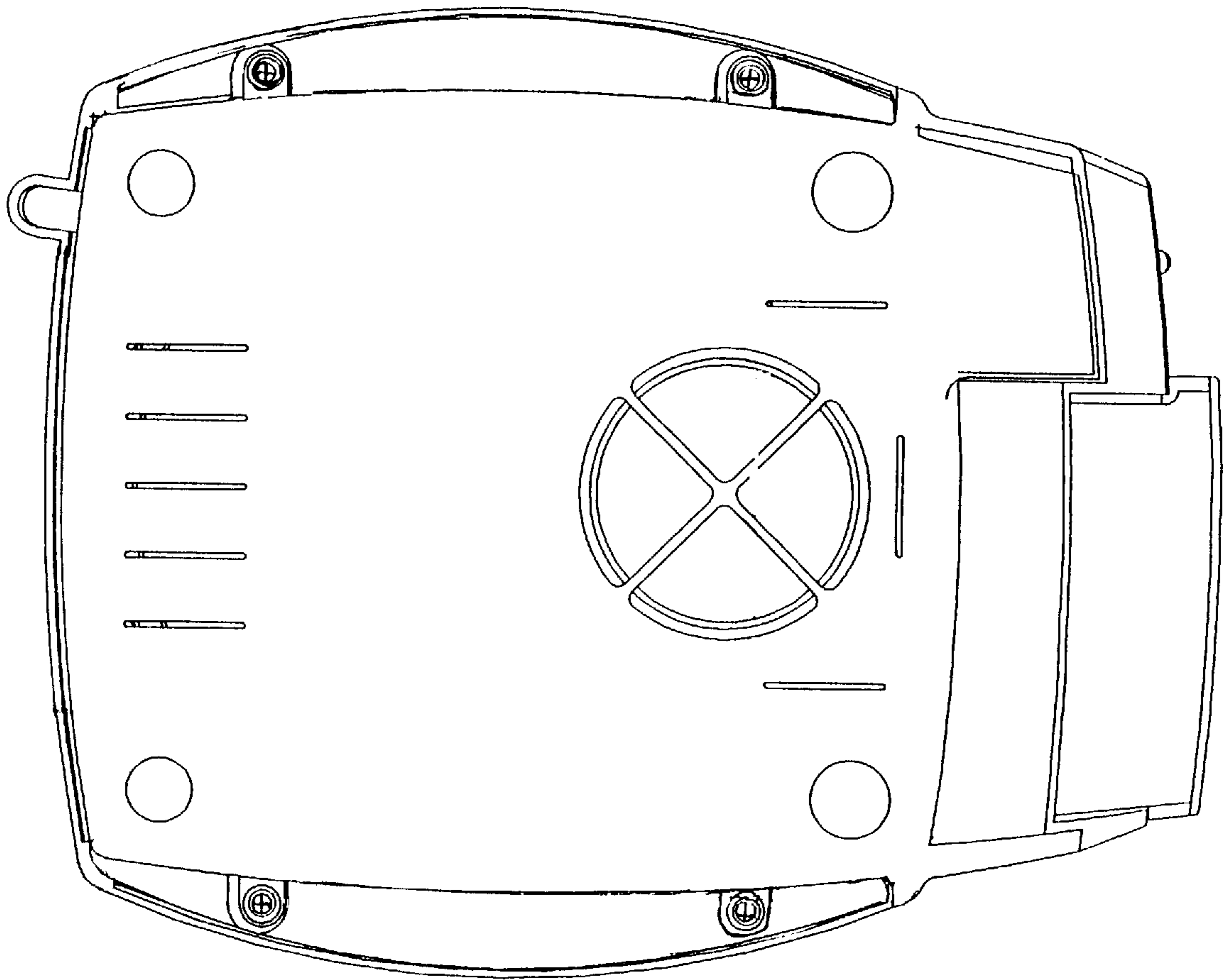


FIG. 6

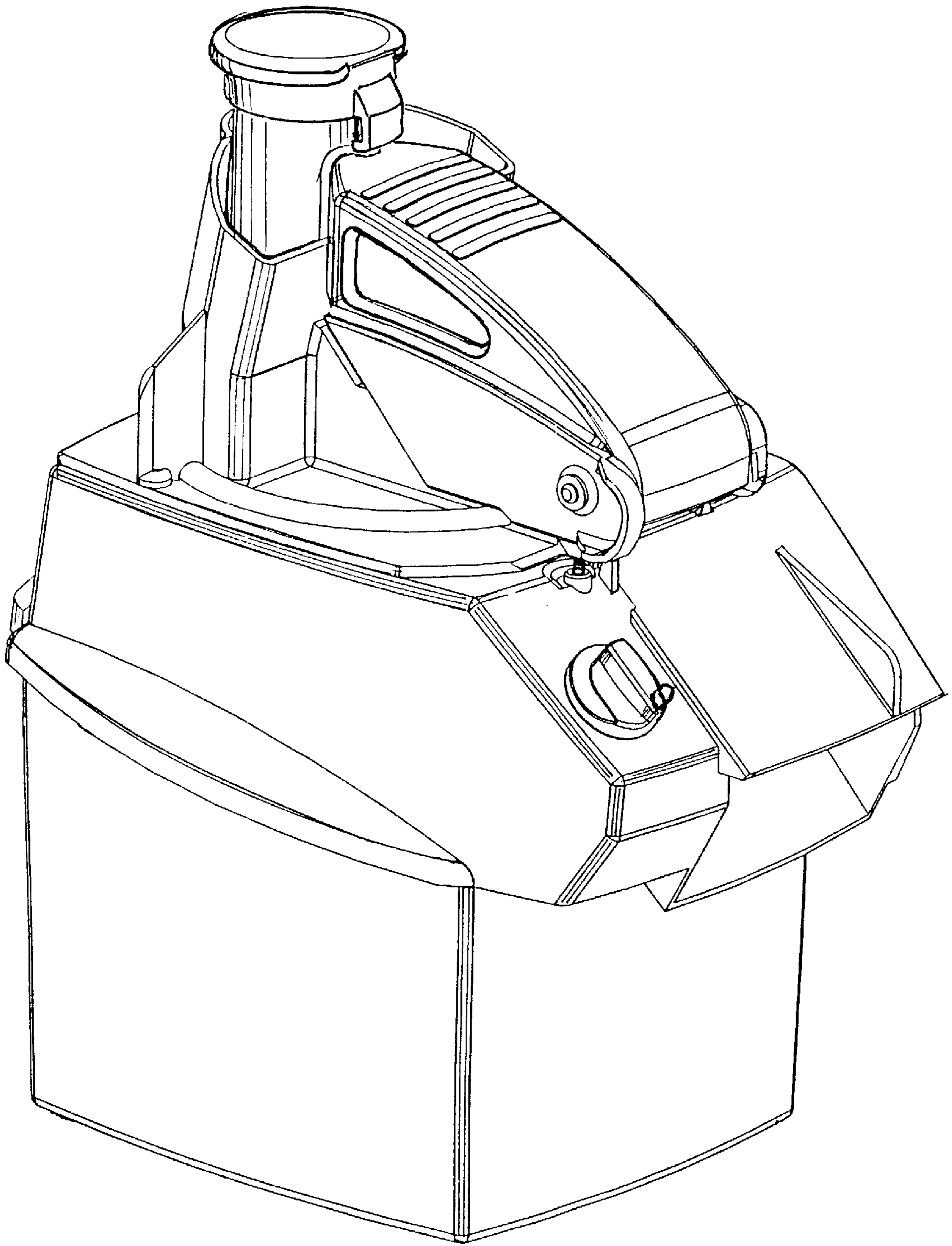


FIG. 7

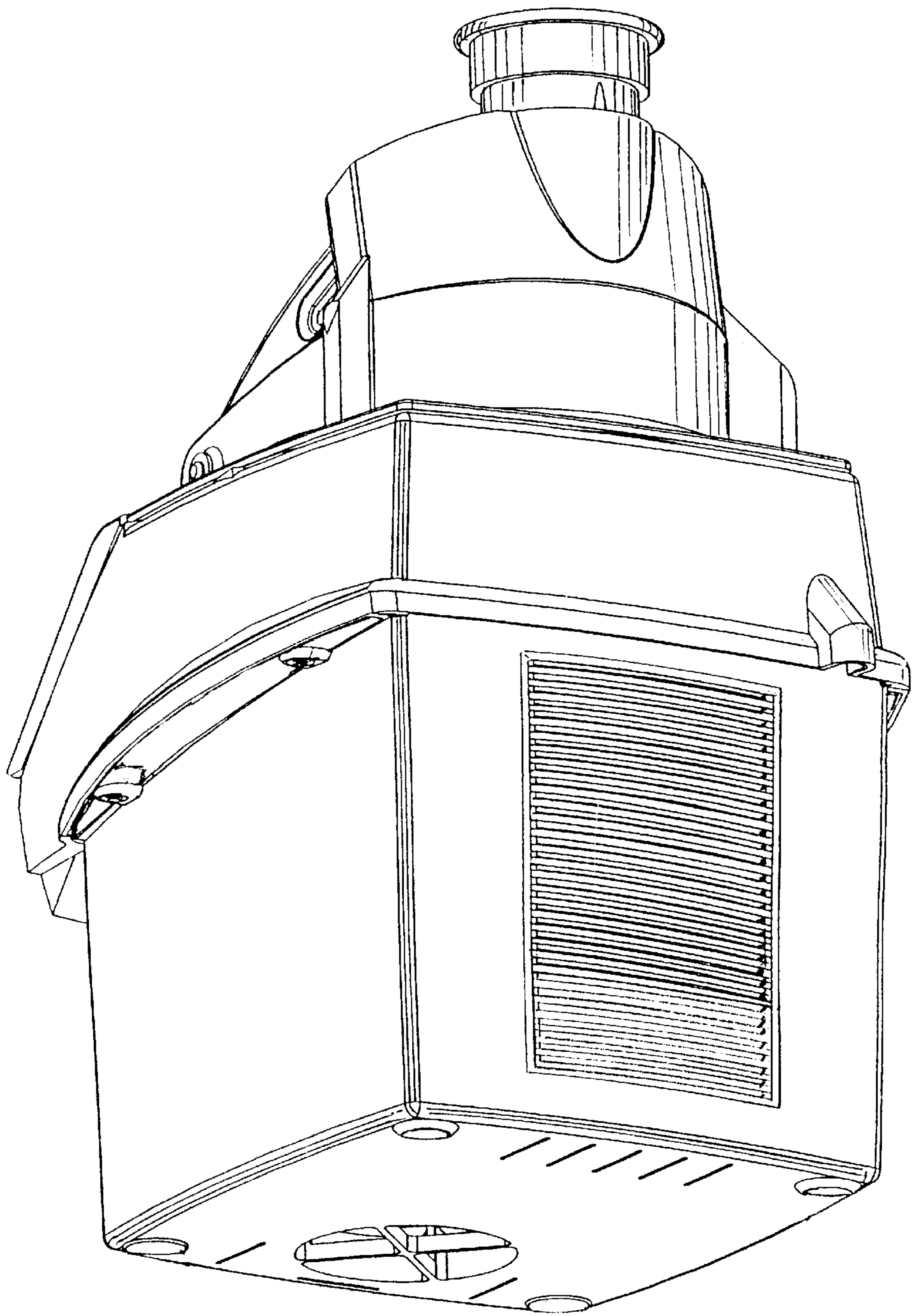


FIG.8