



US00D407264S

# United States Patent [19] Sundquist

[11] **Patent Number: Des. 407,264**

[45] **Date of Patent: \*\*Mar. 30, 1999**

[54] **FOOD PROCESSOR—BOWL TYPE**

[75] Inventor: **Jarl Sundquist**, Sollentuna, Sweden

[73] Assignee: **AB Hälld Maskiner**, Sollentuna, Sweden

[\*\*] Term: **14 Years**

[21] Appl. No.: **81,128**

[22] Filed: **Dec. 23, 1997**

[30] **Foreign Application Priority Data**

Jun. 26, 1997 [SE] Sweden ..... 97-1475

[51] **LOC (6) Cl.** ..... **31-00**

[52] **U.S. Cl.** ..... **D7/384**

[58] **Field of Search** ..... D7/360, 368, 372-374, D7/376-379, 381, 383, 384, 386, 665; 241/36, 37.5, 92, 199.12, 282.1, 282.2

[56] **References Cited**

**U.S. PATENT DOCUMENTS**

D. 157,766 3/1950 Levin ..... D7/377

D. 298,204 10/1988 Mikami ..... D7/381 X  
D. 325,322 4/1992 Maass ..... D7/384  
D. 327,199 6/1992 Frank ..... D7/381  
3,032,087 5/1962 Rodwick ..... D7/412 X  
4,095,751 6/1978 Artin ..... D7/384 X

*Primary Examiner*—Caron D. Veynar  
*Attorney, Agent, or Firm*—Alfred J. Mangels

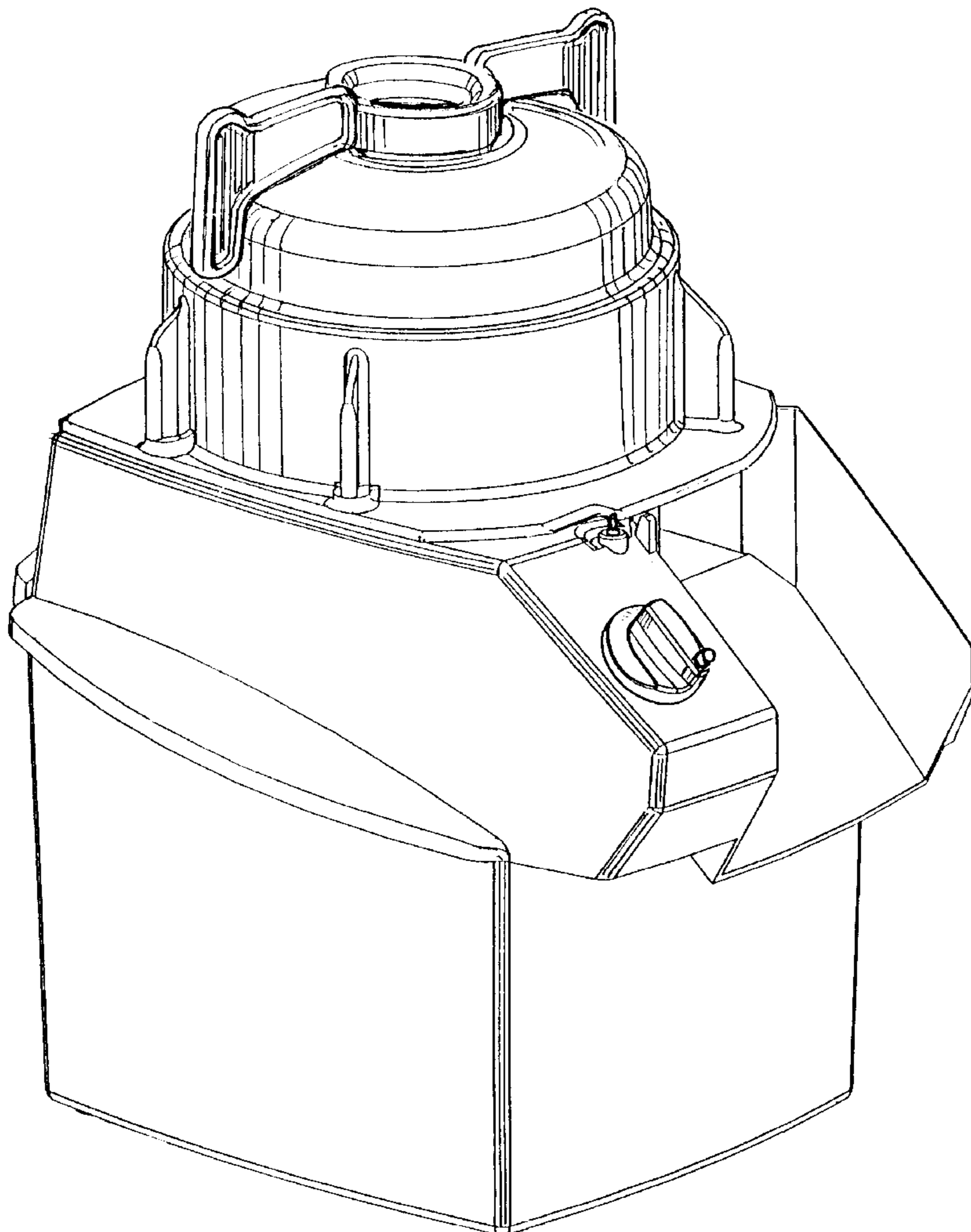
[57] **CLAIM**

The ornamental design for a food processor—bowl type, as shown and described.

**DESCRIPTION**

FIG. 1 is a front elevational view of a food processor—bowl type in accordance with my design;  
FIG. 2 is a left side elevational view thereof;  
FIG. 3 is a right side elevational view thereof;  
FIG. 4 is a rear elevational view thereof;  
FIG. 5 is a top plan view thereof;  
FIG. 6 is a bottom plan view thereof;  
FIG. 7 is a top front perspective view thereof; and,  
FIG. 8 is a bottom rear perspective view thereof.

**1 Claim, 8 Drawing Sheets**



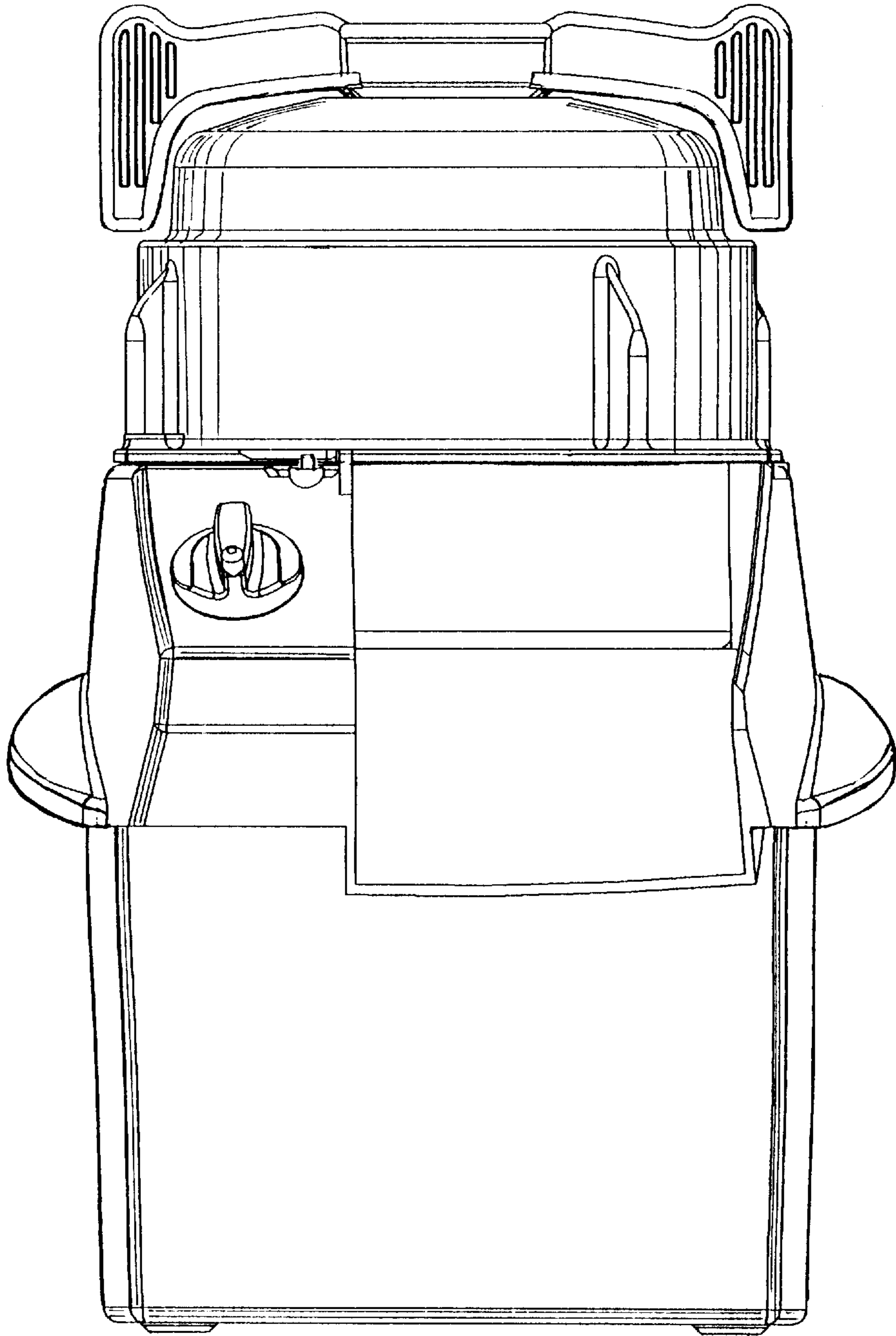


FIG. 1

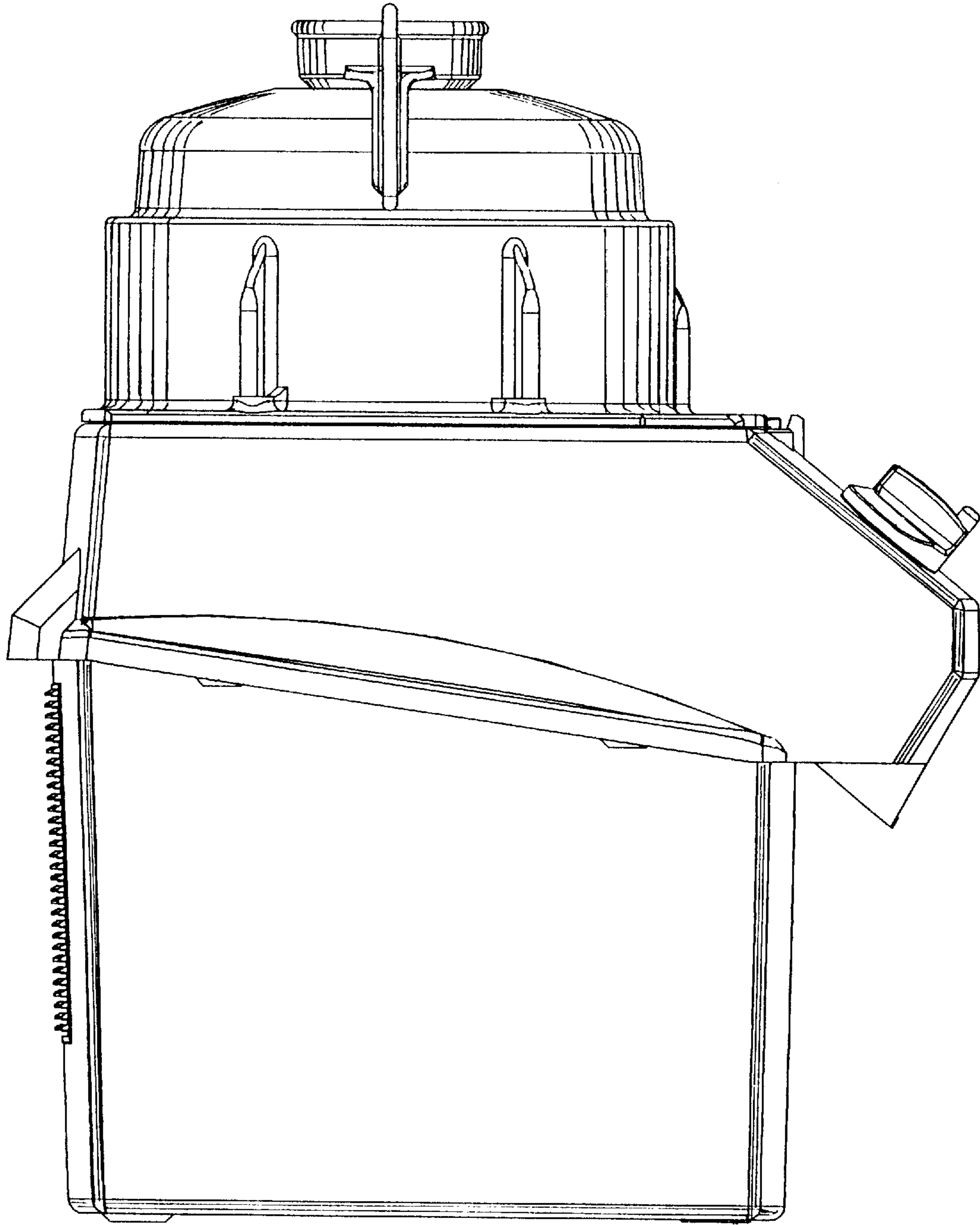


FIG. 2

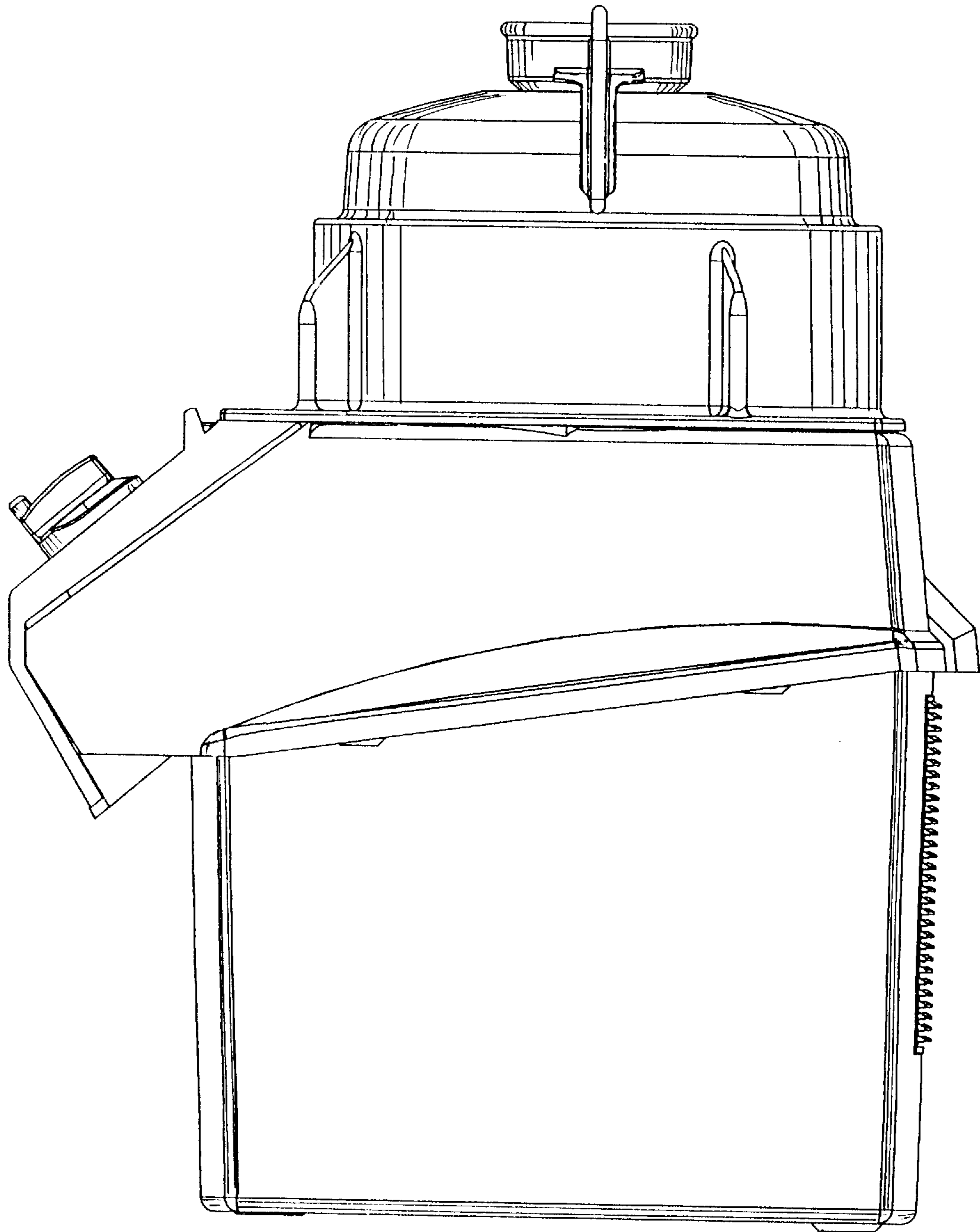


FIG. 3

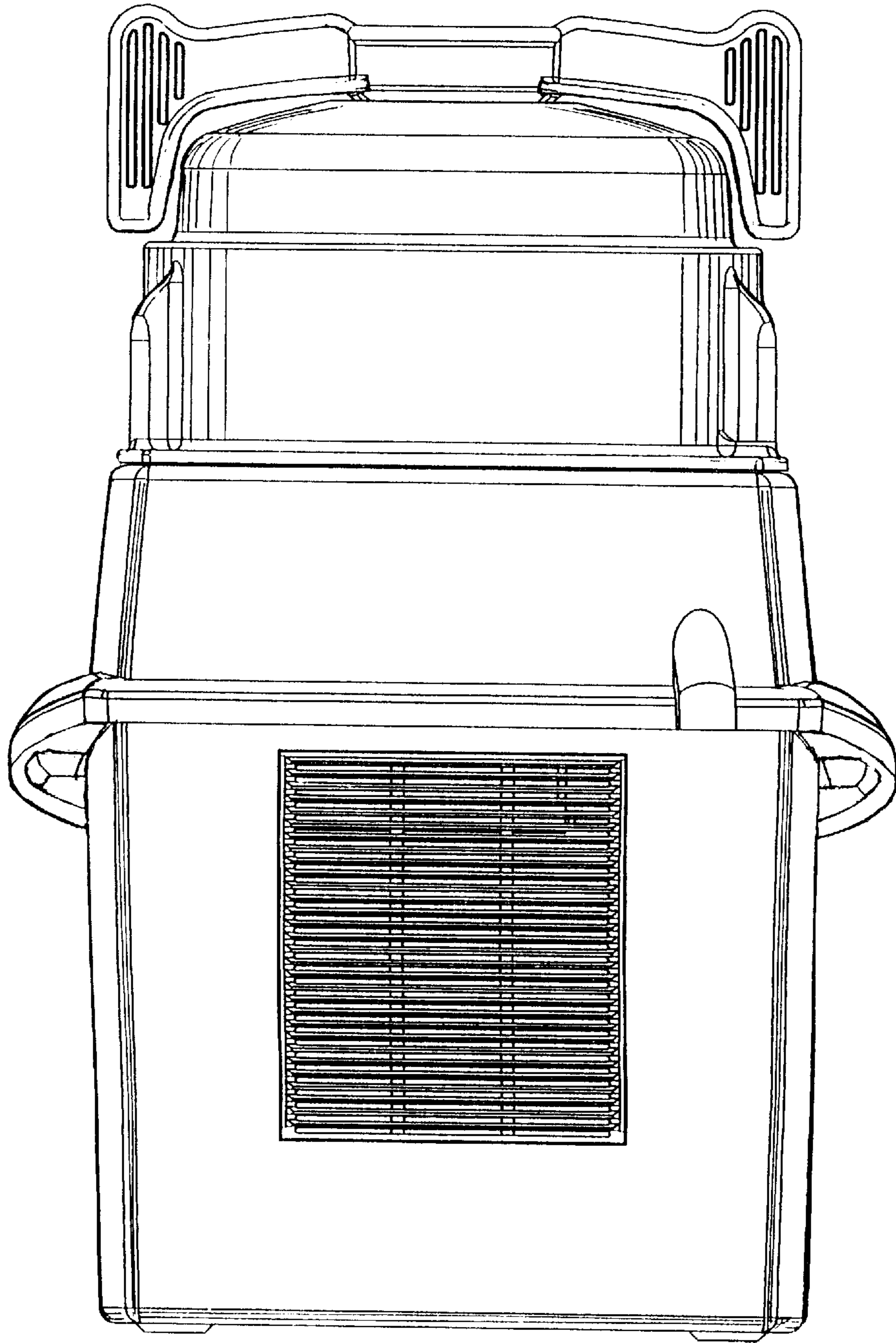


FIG. 4



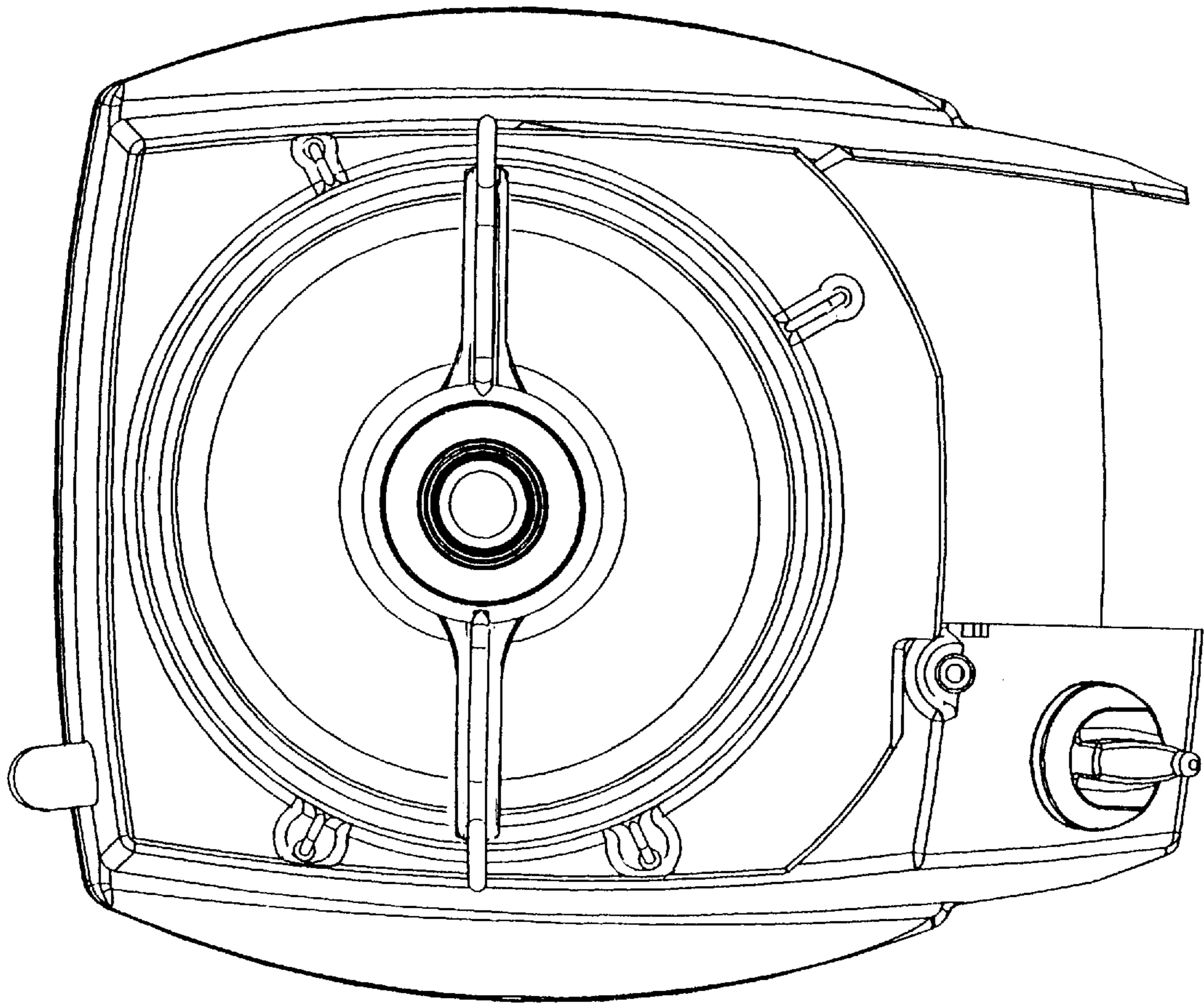


FIG. 5

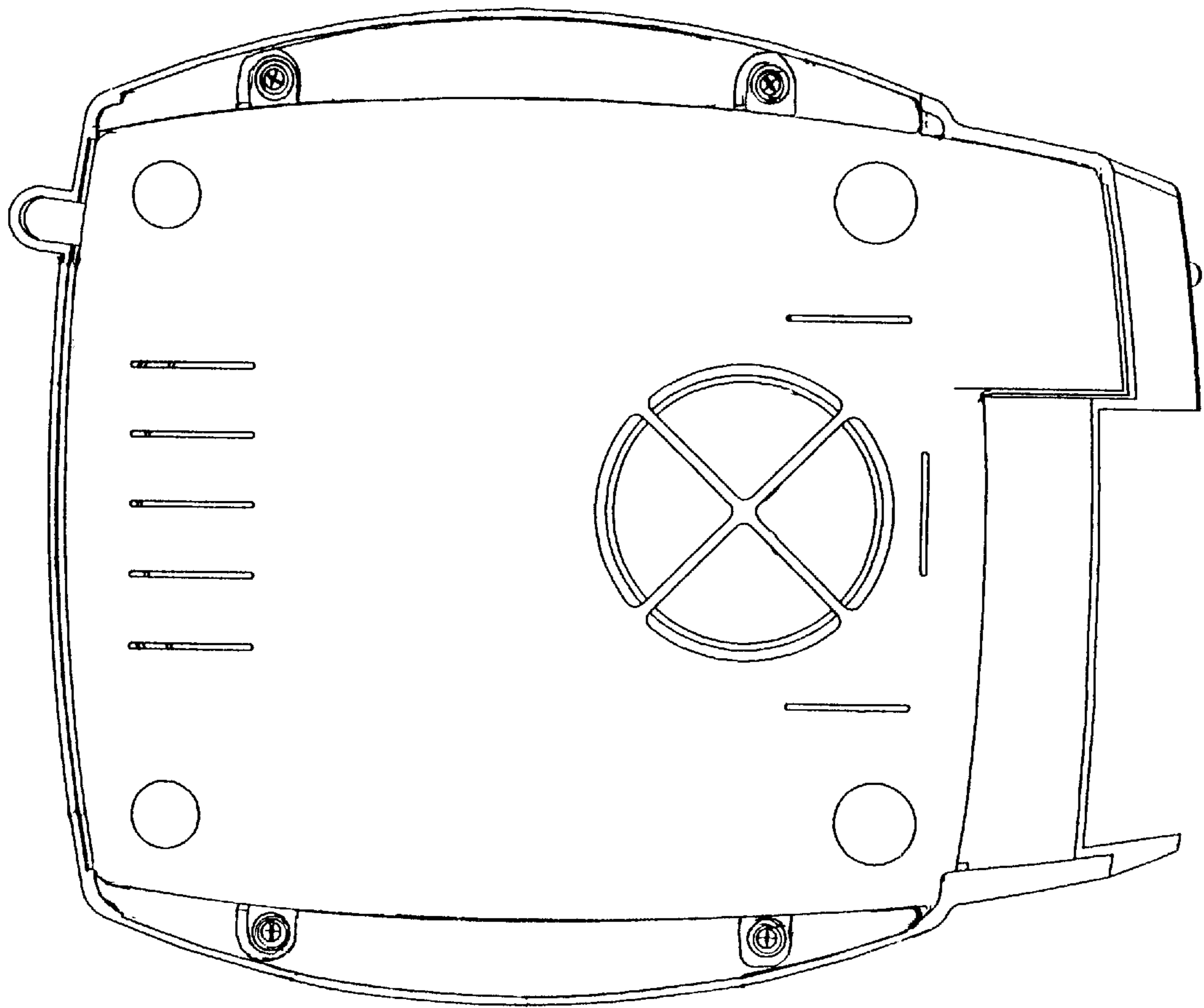


FIG. 6

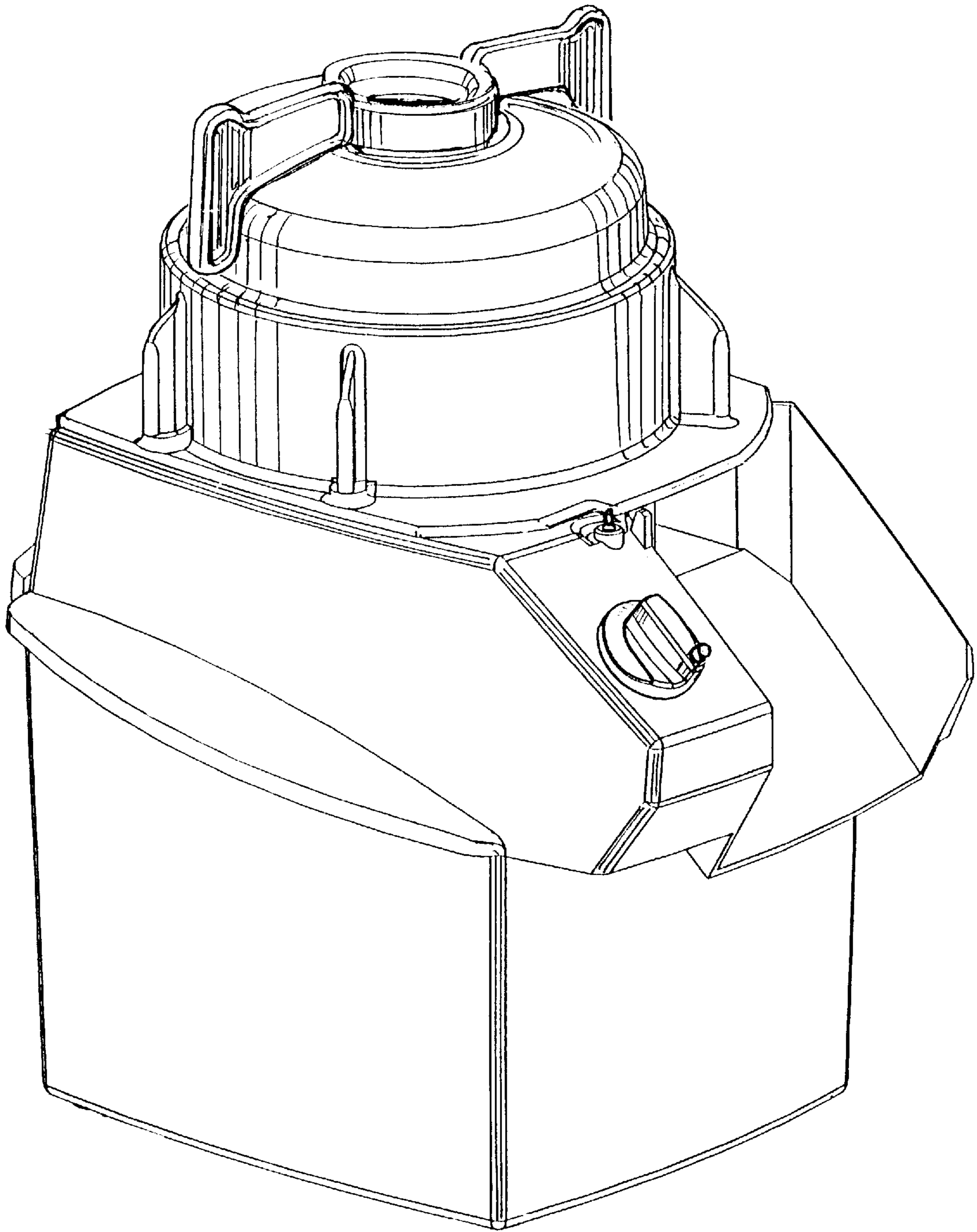


FIG. 7



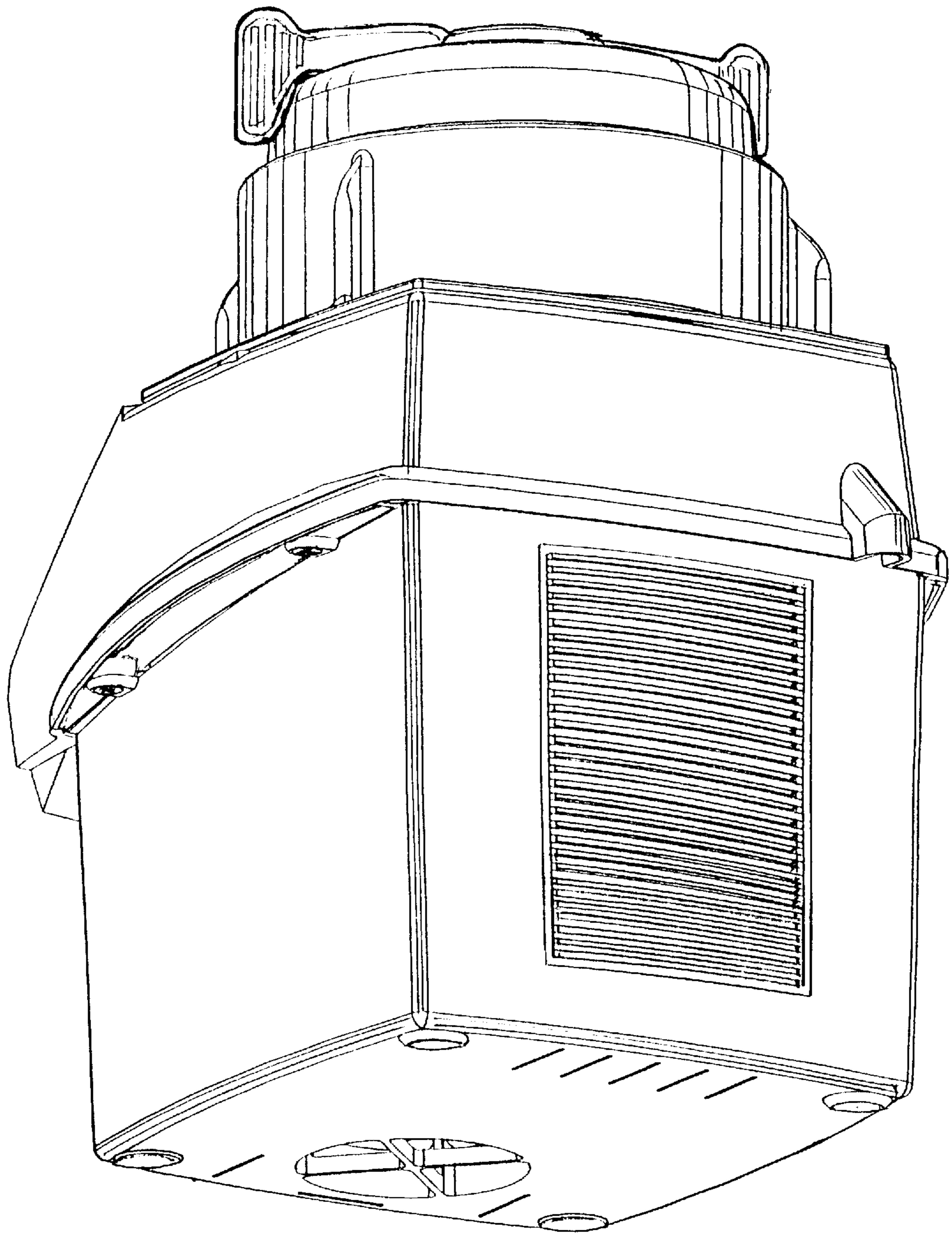


FIG. 8