



US00D407260S

**United States Patent** [19]  
**Martindale**

[11] **Patent Number: Des. 407,260**

[45] **Date of Patent: \*\*Mar. 30, 1999**

[54] **HOT OIL GOOSENECK DISPENSER**

[75] Inventor: **Richard A. Martindale**, Vacaville, Calif.

[73] Assignee: **Automatic Bar Controls, Inc.**, Vacaville, Calif.

[\*\*] Term: **14 Years**

[21] Appl. No.: **81,508**

[22] Filed: **Dec. 3, 1997**

[51] **LOC (6) Cl.** ..... **07-01**

[52] **U.S. Cl.** ..... **D7/306; D7/398**

[58] **Field of Search** ..... **D7/300, 306, 307, D7/312, 590, 589, 398, 397; 222/129.1, 129.2, 129.3, 129.4**

[56] **References Cited**

**U.S. PATENT DOCUMENTS**

- D. 69,522 2/1926 Lutsky et al. .... D7/398
- D. 308,801 6/1990 Stern ..... D7/590

- D. 350,870 9/1994 Hansen ..... D7/306
- D. 352,200 11/1994 Hansen ..... D7/306
- D. 365,491 12/1995 Hui ..... D7/306 X
- D. 373,710 9/1996 Avon ..... D7/590
- D. 383,350 9/1997 Leibovic ..... D7/300

*Primary Examiner*—M. N. Pandozzi  
*Attorney, Agent, or Firm*—Townsend and Townsend and Crew LLP

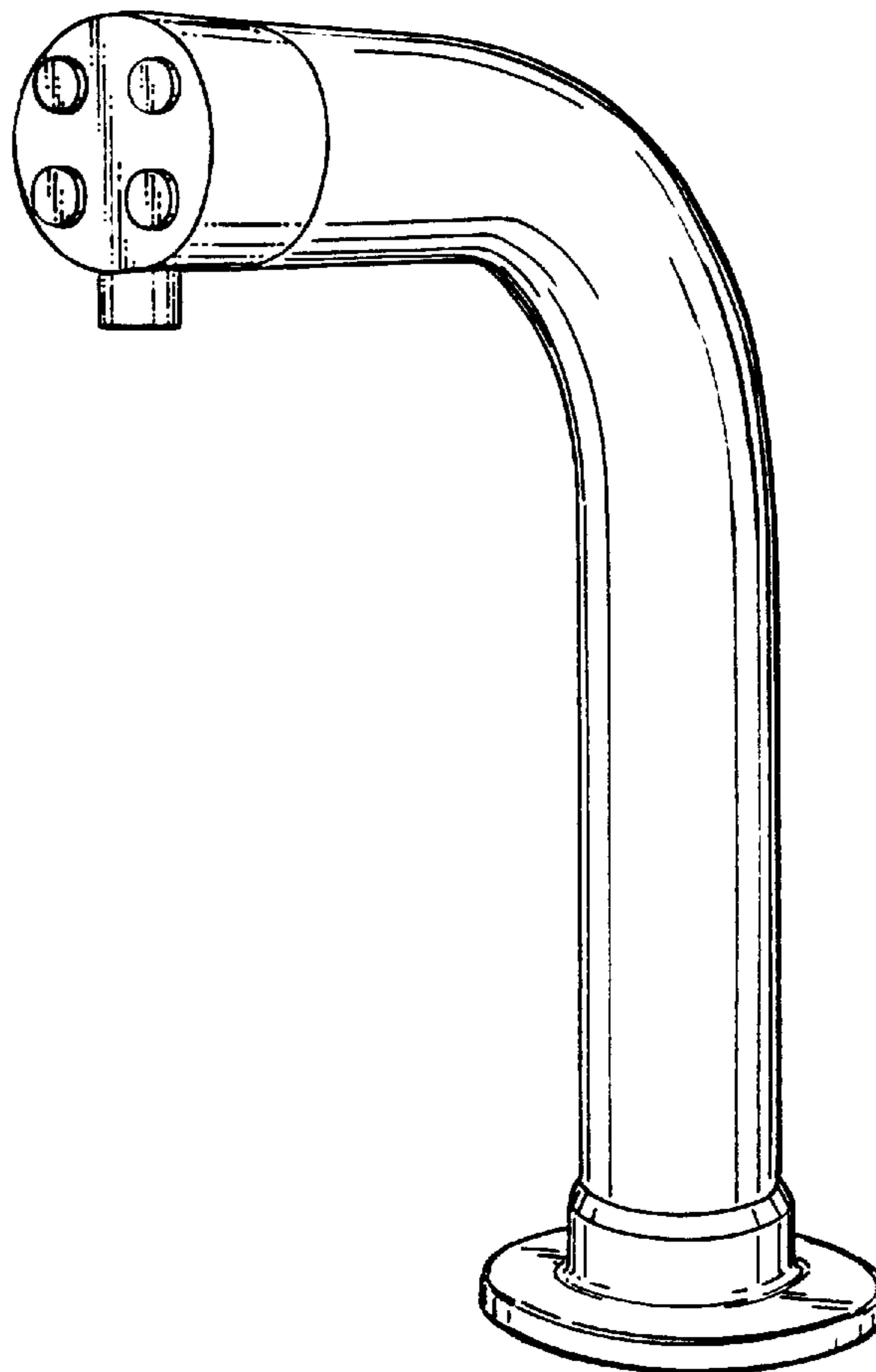
[57] **CLAIM**

The ornamental design for a hot oil gooseneck dispenser, as shown and described.

**DESCRIPTION**

FIG. 1 is a perspective view of a hot oil gooseneck dispenser showing my new design;  
FIG. 2 is a top plan view thereof;  
FIG. 3 is a front elevational view thereof;  
FIG. 4 is a right side elevational view, the left side elevational view being a mirror image;  
FIG. 5 is a rear elevational view thereof; and,  
FIG. 6 is a bottom plan view thereof.

**1 Claim, 2 Drawing Sheets**



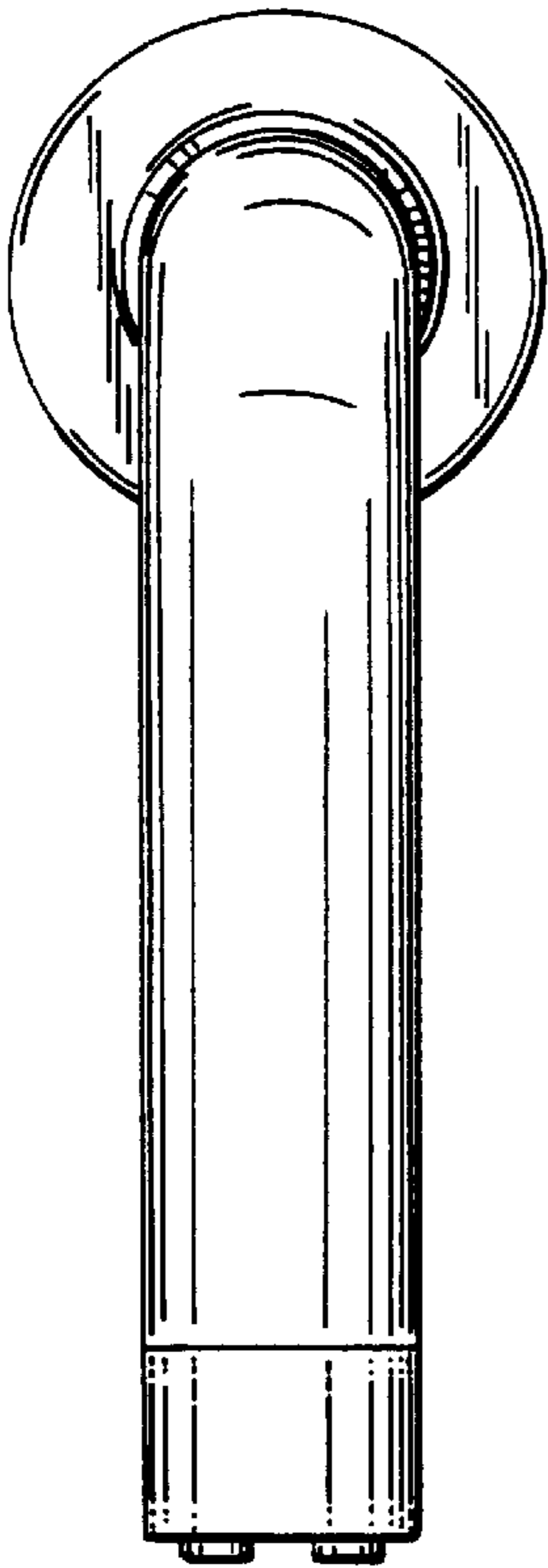


FIG. 2.

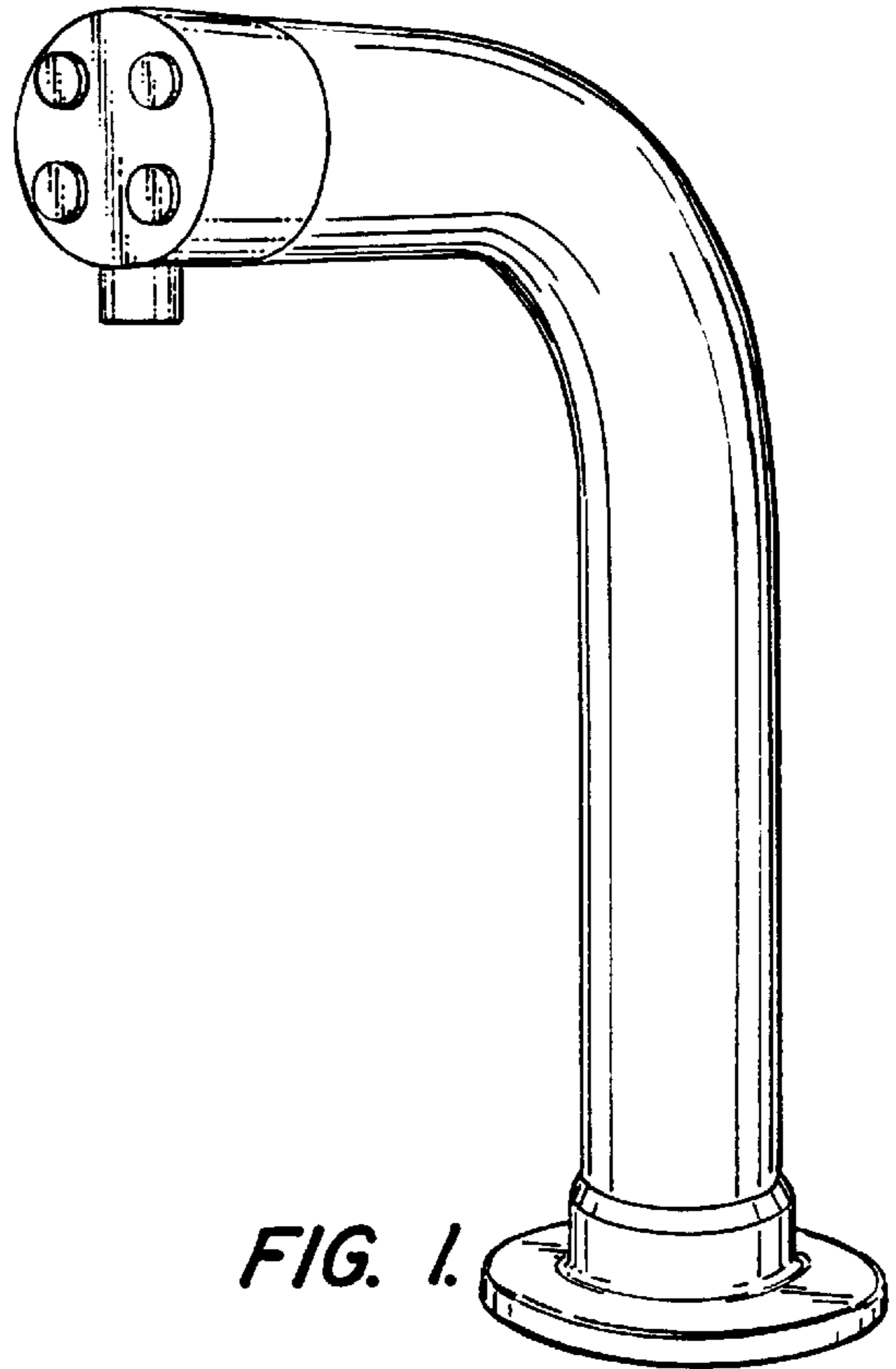


FIG. 1.

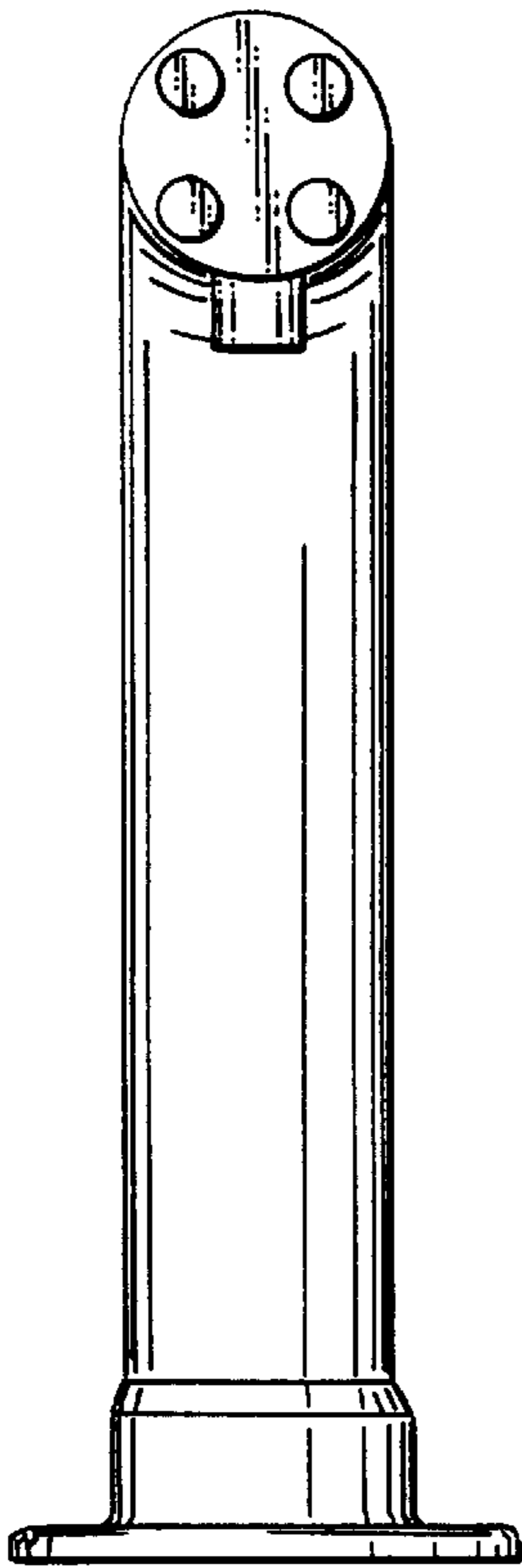


FIG. 3.

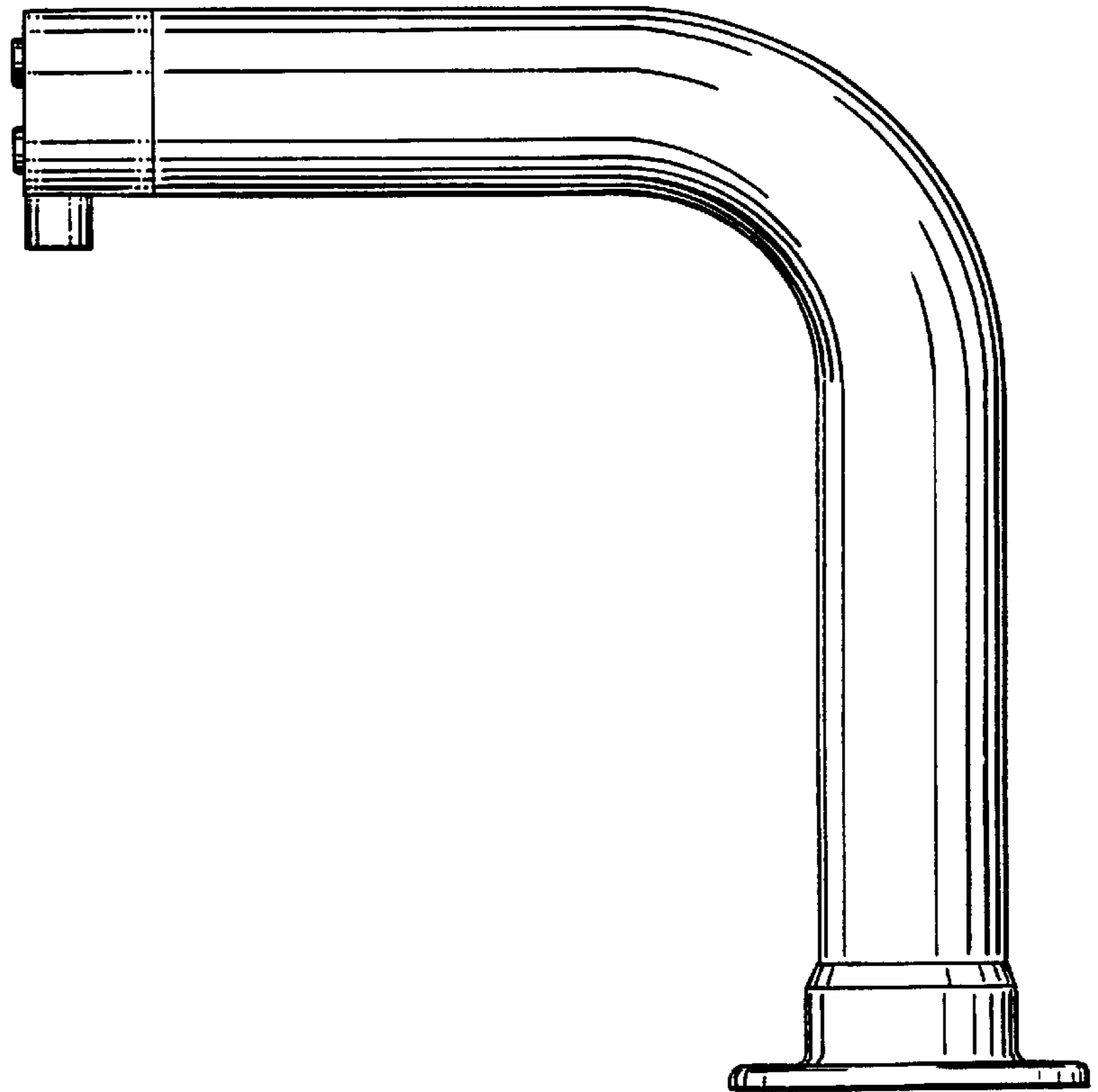
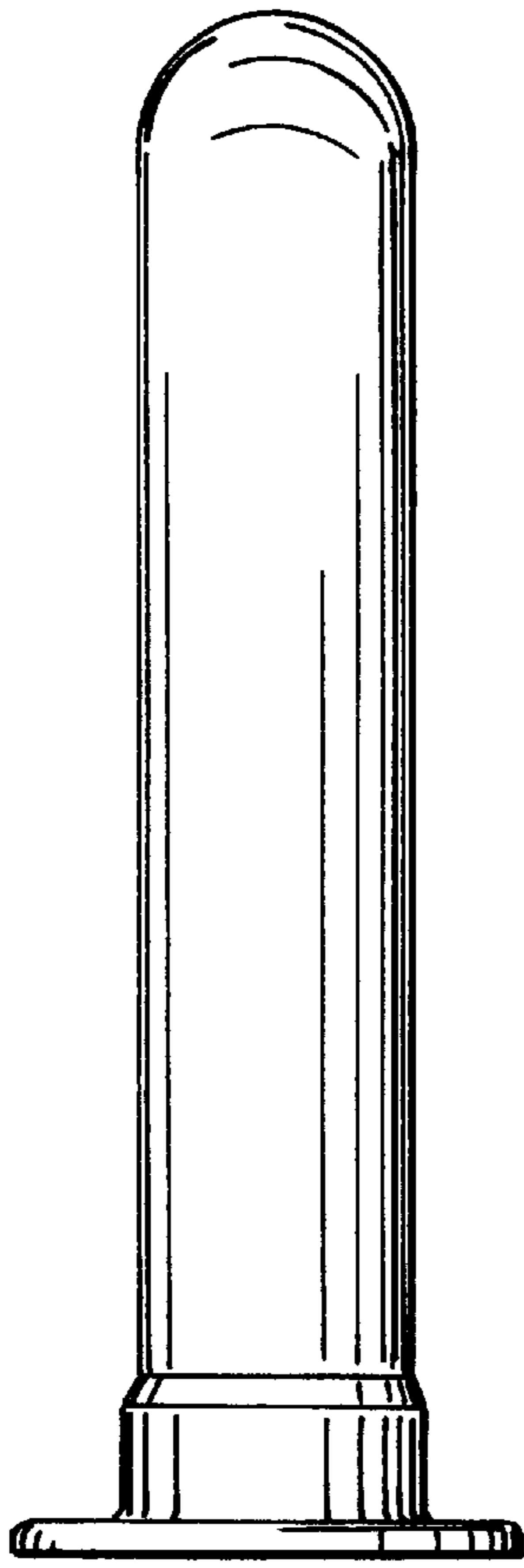
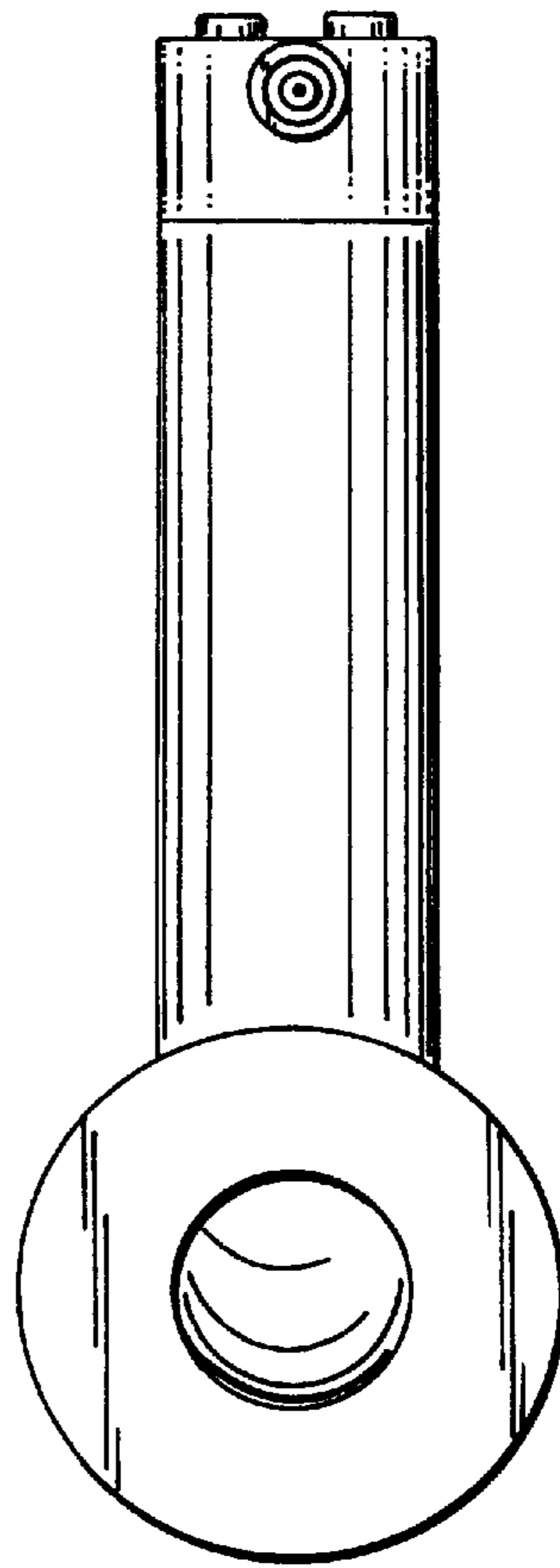


FIG. 4.



*FIG. 5.*



*FIG. 6.*