



US00D407252S

**United States Patent** [19]  
**Hampshire**

[11] **Patent Number: Des. 407,252**

[45] **Date of Patent: \*\*Mar. 30, 1999**

[54] **SUCTION SOAP HOLSTER**

[75] Inventor: **James Hampshire**, Solon, Ohio

[73] Assignee: **InterDesign, Inc.**, Solon, Ohio

[\*\*] Term: **14 Years**

[21] Appl. No.: **82,626**

[22] Filed: **Jan. 27, 1998**

[51] **LOC (6) Cl.** ..... **07-07**

[52] **U.S. Cl.** ..... **D6/540**

[58] **Field of Search** ..... D6/545, 540; 206/77.1;  
211/60.1, 86-88

[56] **References Cited**

**U.S. PATENT DOCUMENTS**

D. 197,693	3/1964	Wessel	.....	D6/540
D. 197,695	3/1964	Wessel	.....	D6/540
D. 216,368	12/1969	Love	.....	D6/540
D. 250,076	10/1978	Aust	.....	D6/540

*Primary Examiner*—Brian N. Vinson  
*Attorney, Agent, or Firm*—D. Peter Hochberg

[57] **CLAIM**

The ornamental design for a suction soap holster, as shown and described.

**DESCRIPTION**

FIG. 1 is a perspective view of the suction soap holster according to the invention;

FIG. 2 is a front view of the suction soap holster as shown in FIG. 1;

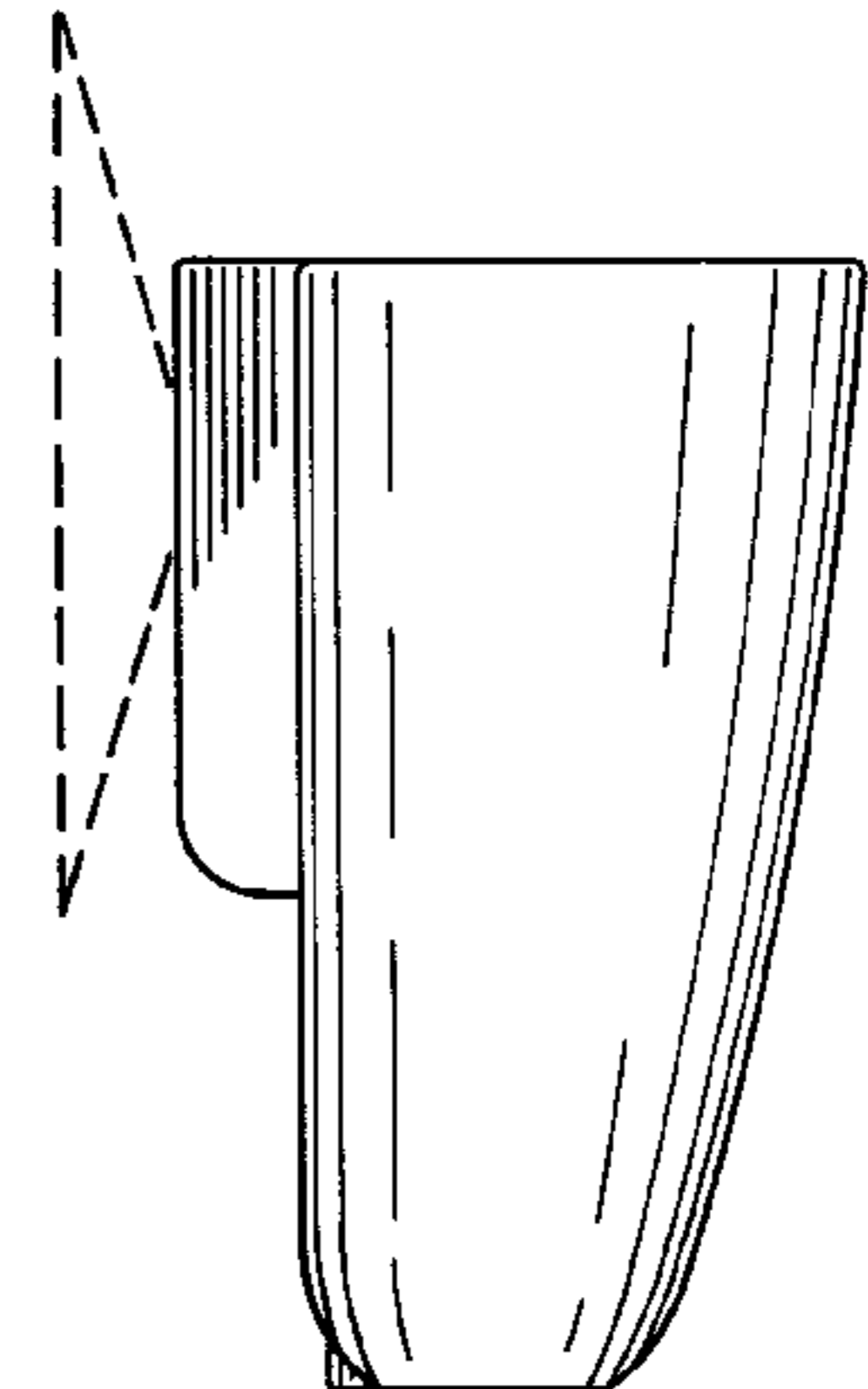
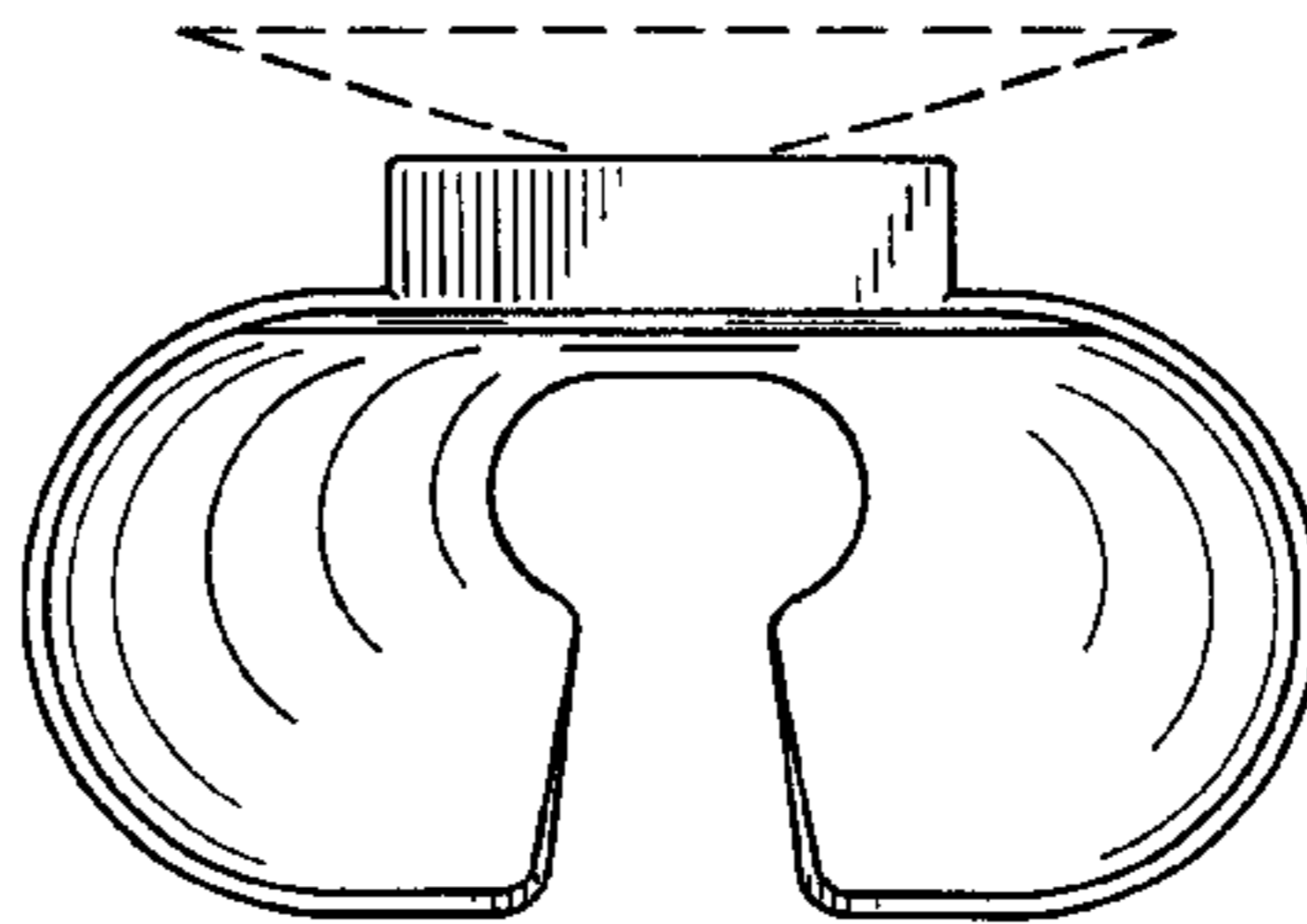
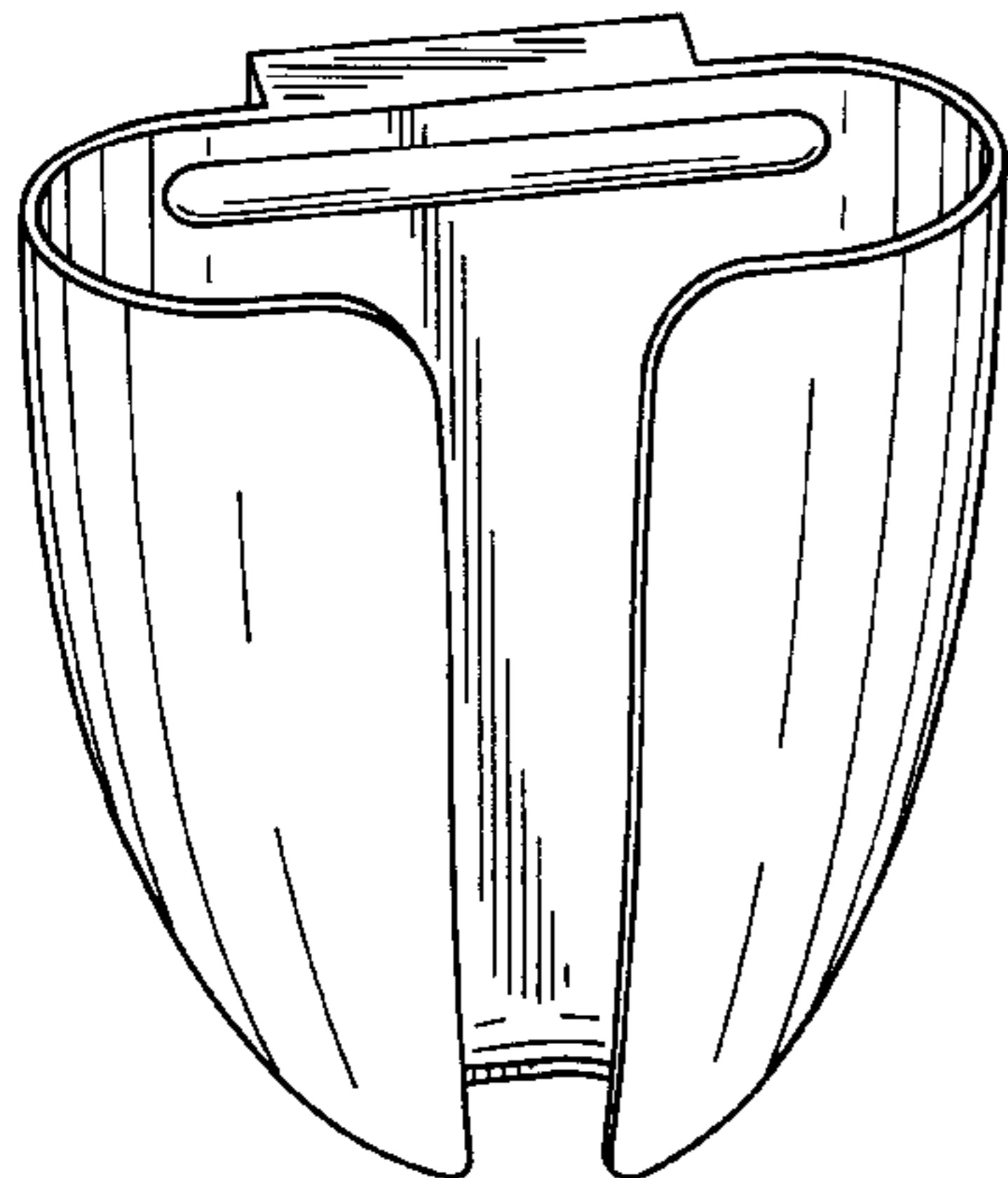
FIG. 3 is a top view of the suction soap holster as shown in FIG. 1;

FIG. 4 is a side view of the suction soap holster as shown in FIG. 1;

FIG. 5 is a back view of the suction soap holster as shown in FIG. 1; and,

FIG. 6 is a bottom view of the suction soap holster as shown in FIG. 1.

**1 Claim, 2 Drawing Sheets**



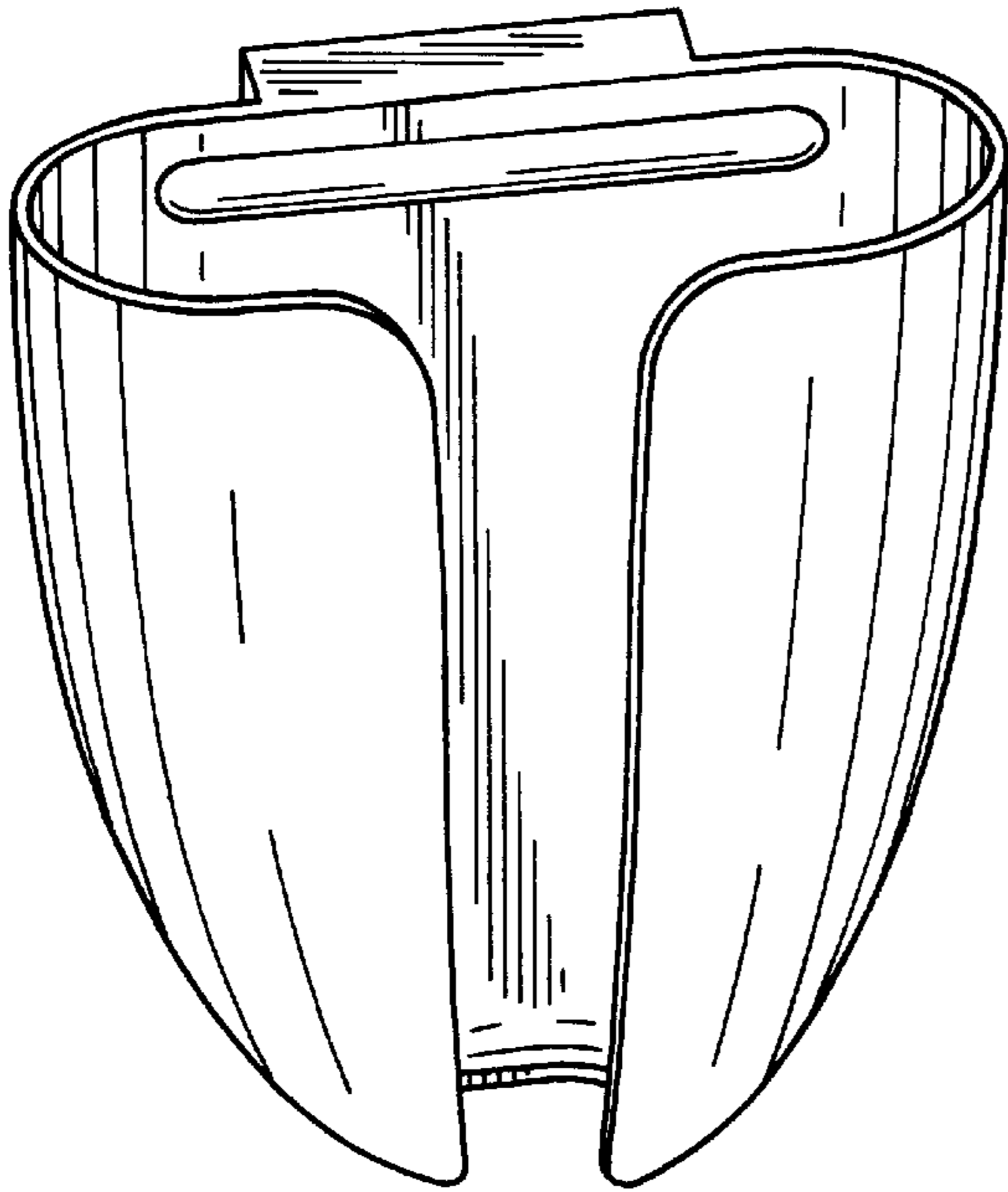


FIG. 1

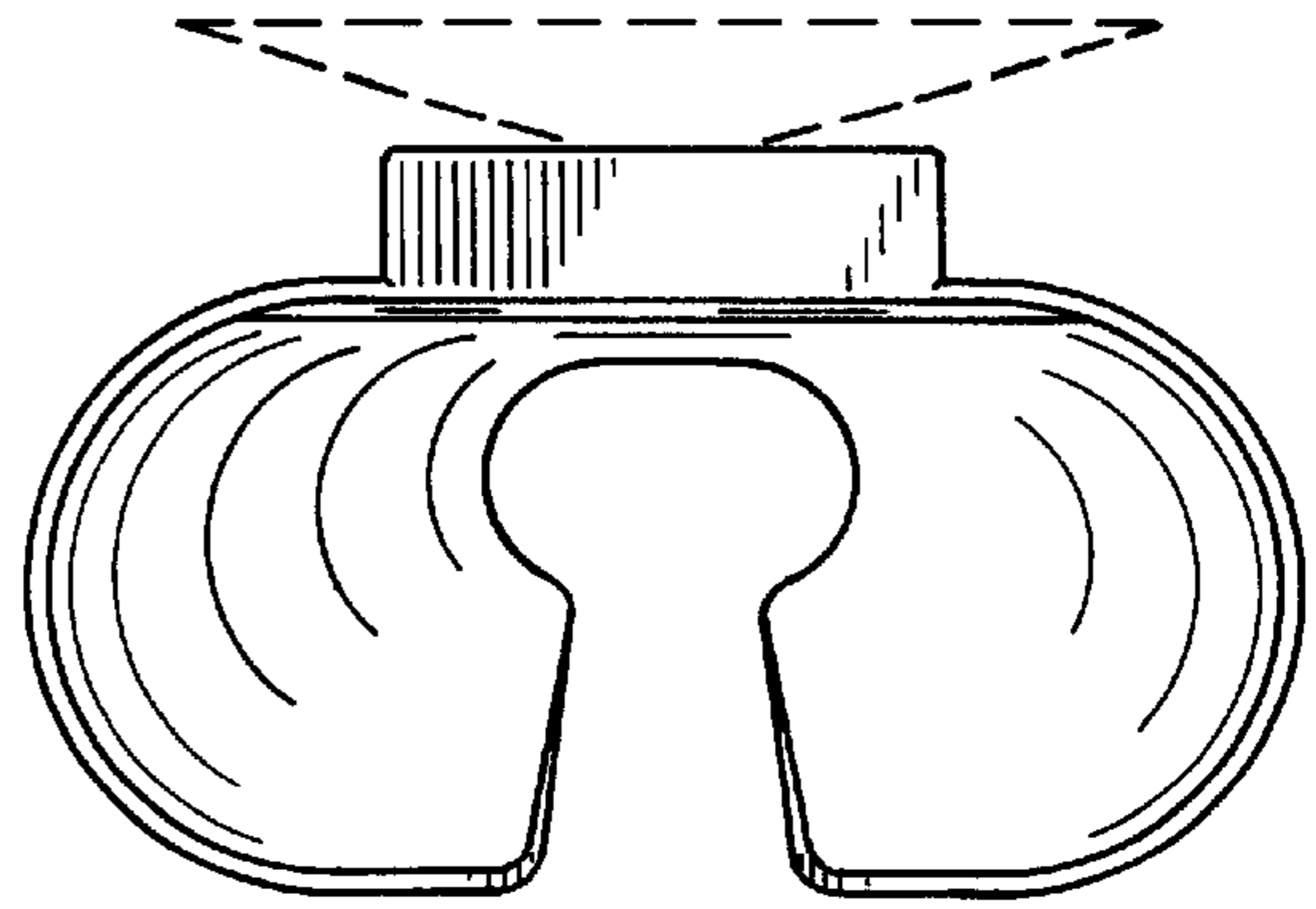


FIG. 3

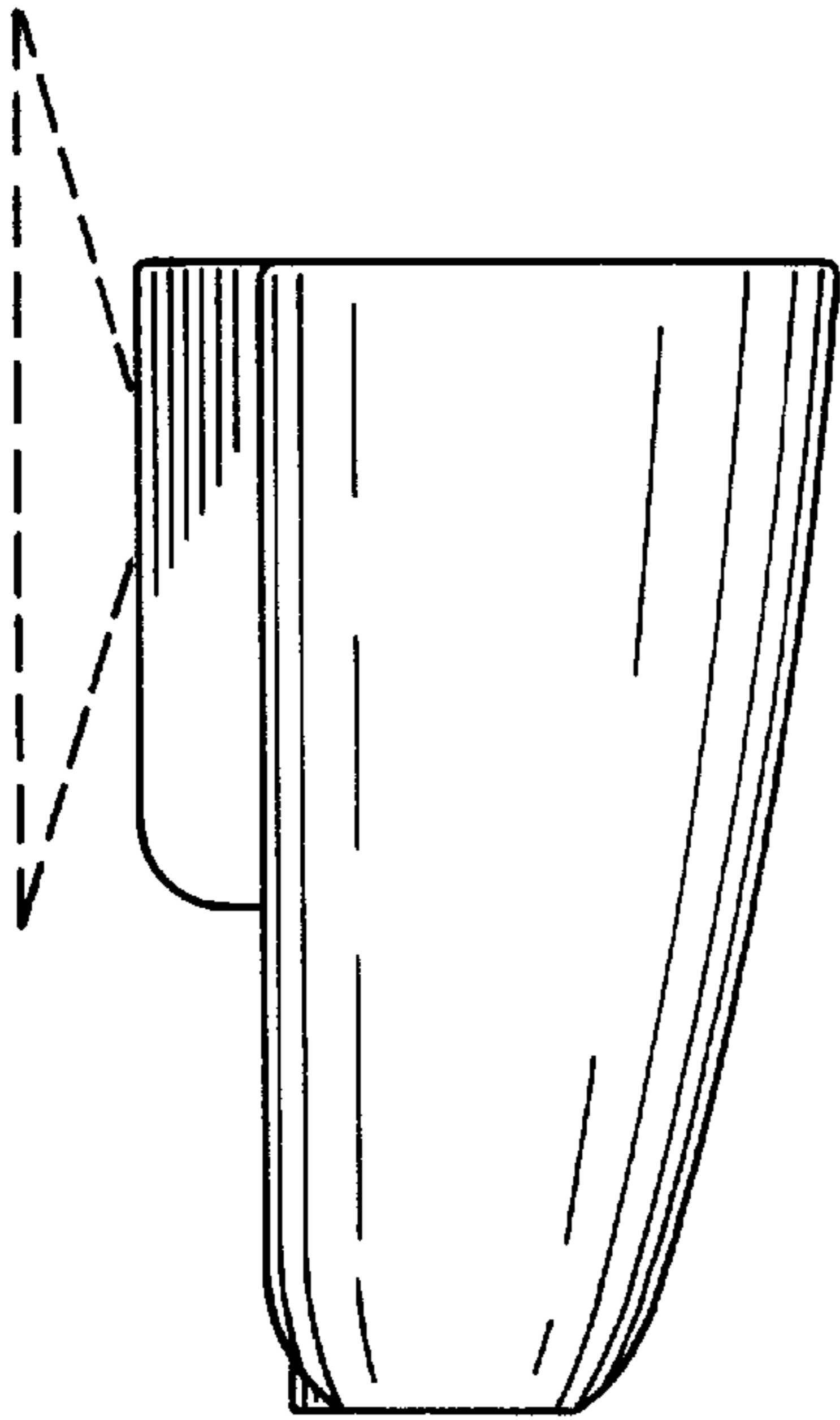


FIG. 4

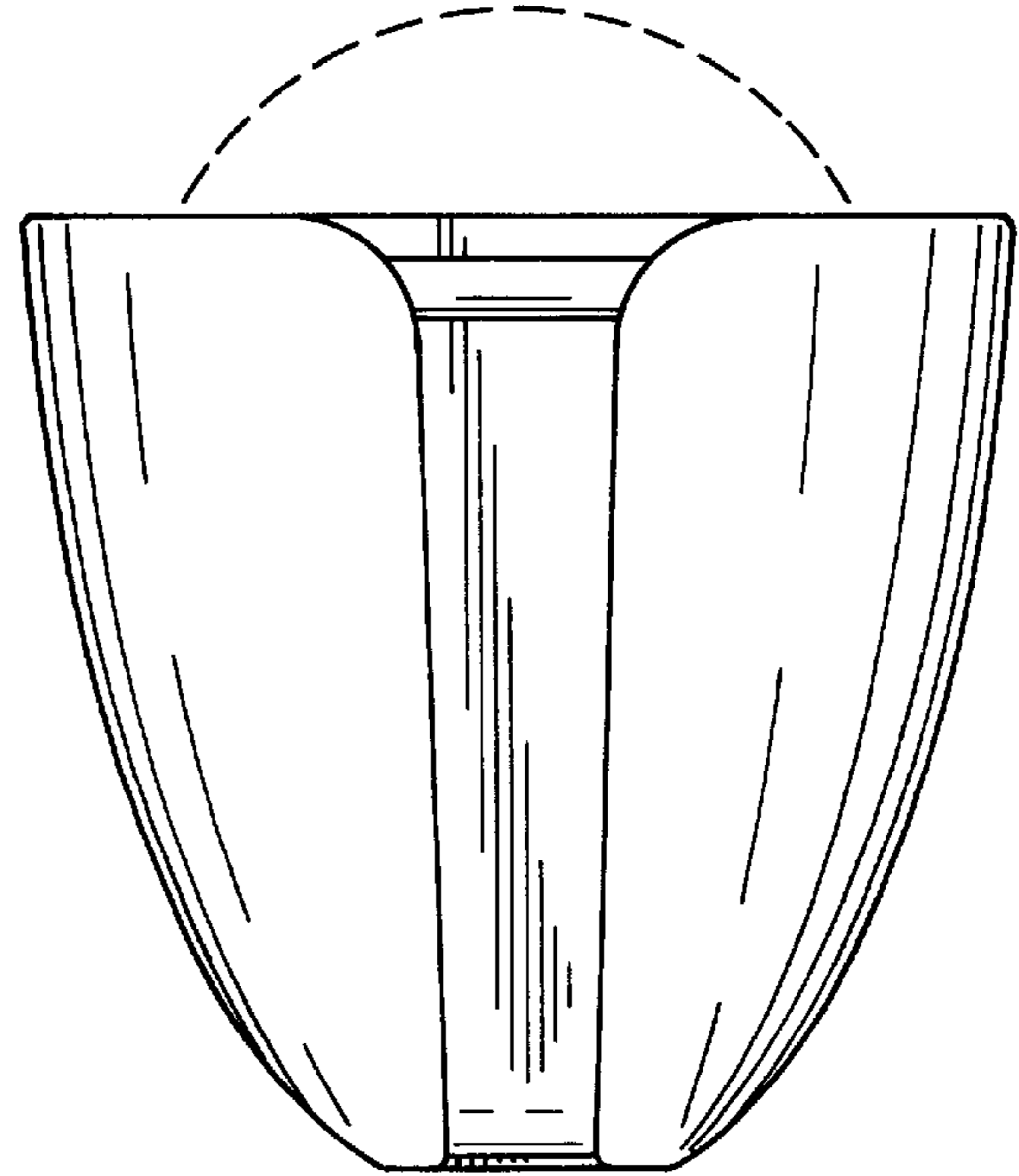


FIG. 2

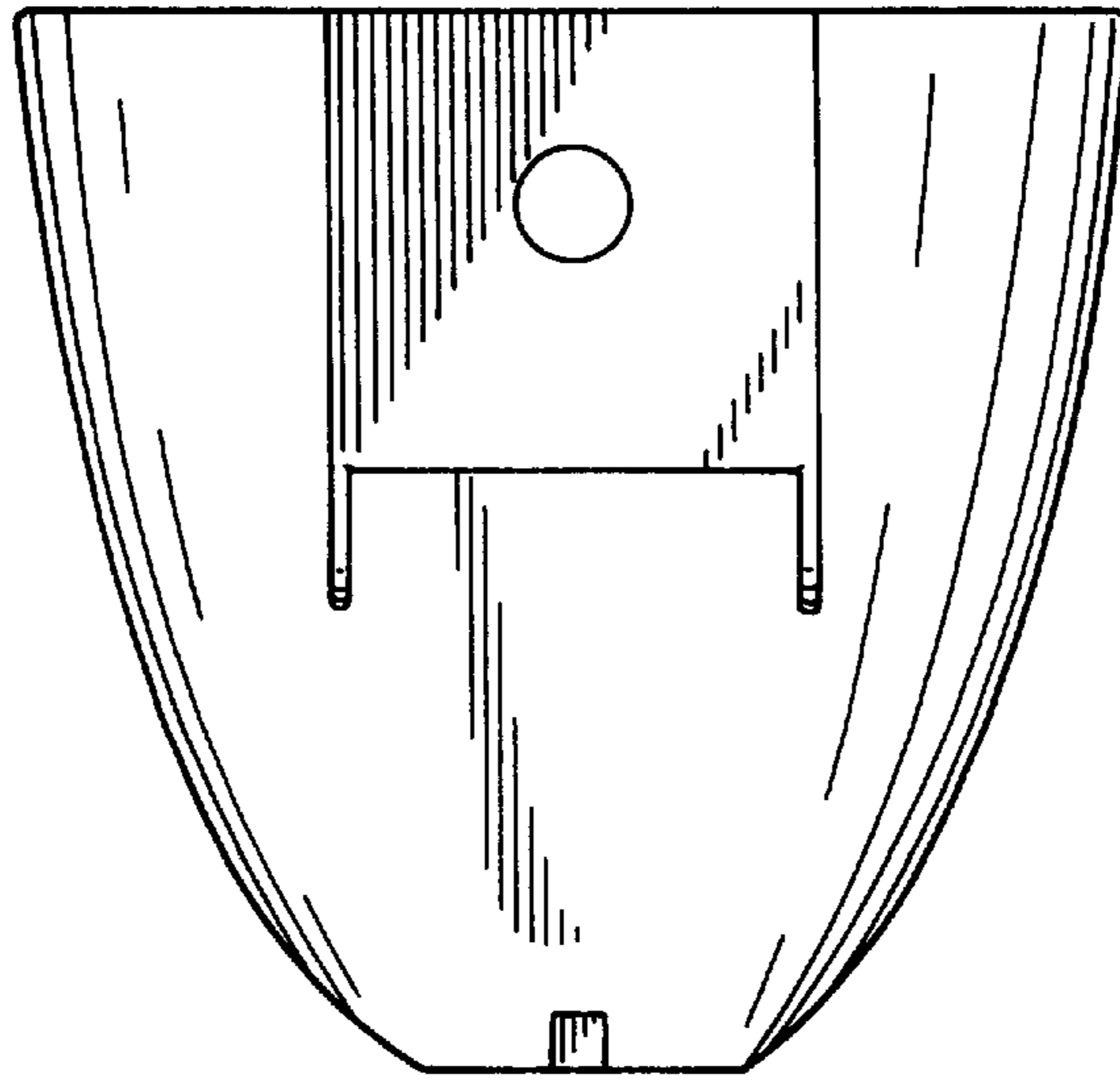


FIG. 5

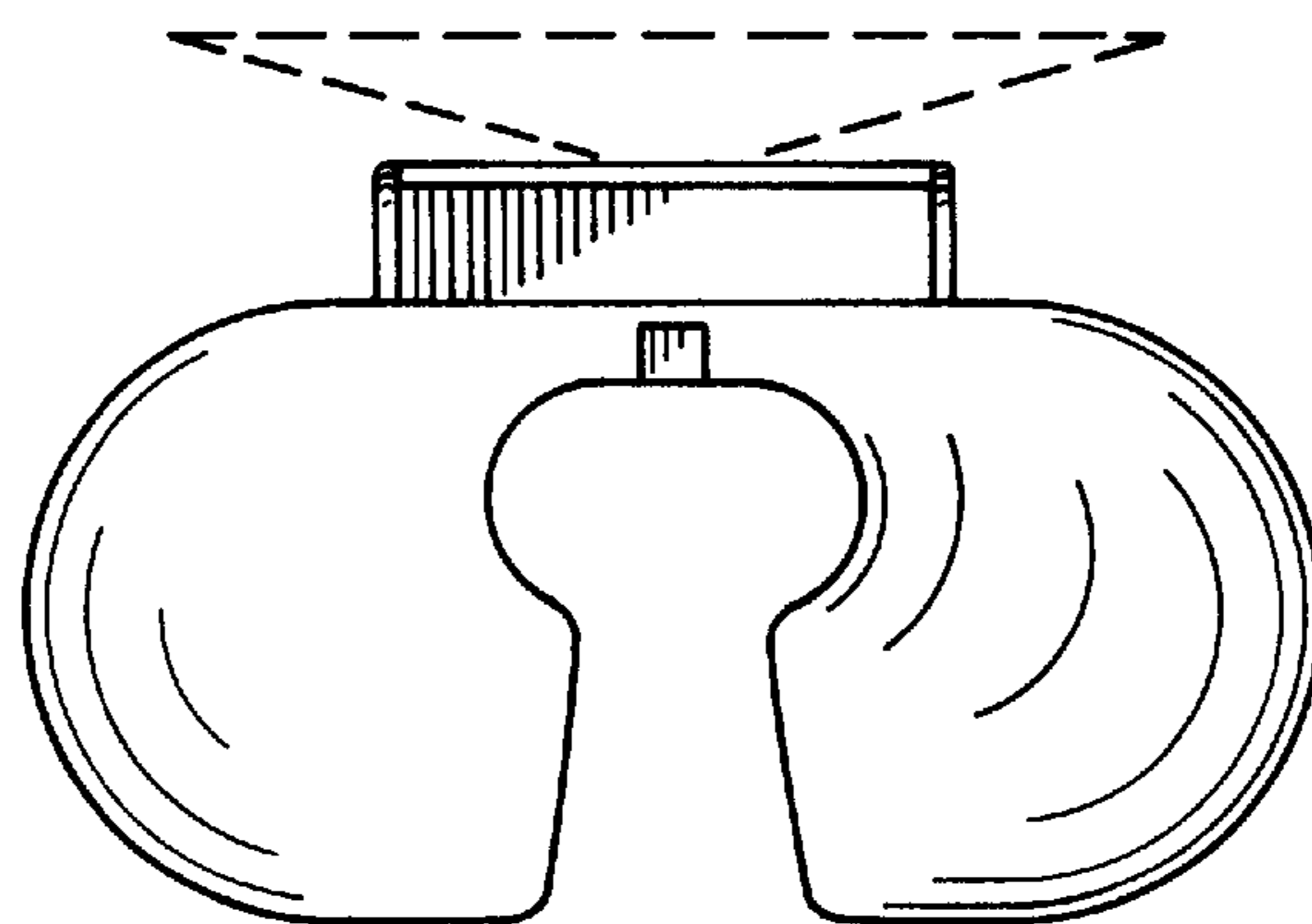


FIG. 6