



US00D407248S

United States Patent [19] Scholpp

[11] Patent Number: Des. 407,248

[45] Date of Patent: **Mar. 30, 1999

[54] **BATHROOM ACCESSORY SUPPORT ARM SET**

[75] Inventor: **Werner Scholpp**, Oberriexingen, Germany

[73] Assignee: **Bodenschatz AG**, Allschwil, Switzerland

[**] Term: **14 Years**

[21] Appl. No.: **76,339**

[22] Filed: **Sep. 8, 1997**

[51] **LOC (6) Cl.** **07-07**

[52] **U.S. Cl.** **D6/524; D6/523; D6/534; D6/535; D6/545; D6/532; D6/546; D6/574**

[58] **Field of Search** **D6/524-540, 541-550, D6/553, 555, 567, 569, 574; D8/349, 354, 363, 373, 380, 381; 211/13.1, 65, 70.6, 70.7, 71, 74, 86-90, 126.1, 134; 206/77.1; 242/590, 595, 598; 248/200, 201, 309.1, 311.2, 314**

[56] **References Cited**

U.S. PATENT DOCUMENTS

D. 131,506	3/1942	Dreyfuss	D6/549
D. 190,161	4/1961	Hillgren	D6/549
D. 253,503	11/1979	Albert	D6/574
D. 287,569	1/1987	Shepard	D8/381
D. 295,950	5/1988	Johnston	D8/381
D. 367,001	2/1996	Bright	D8/381

Primary Examiner—Brian N. Vinson

Attorney, Agent, or Firm—Amster, Rothstein & Ebenstein

[57] **CLAIM**

The ornamental design for a bathroom accessory support arm set, as shown and described.

DESCRIPTION

FIG. 1 is a top, front, and left side perspective view of a bathroom accessory support arm set showing my new design;

FIG. 2 is a front elevational view thereof;

FIG. 3 is a rear elevational view thereof;

FIG. 4 is an enlarged right side elevational view thereof;

FIG. 5 is an enlarged left side elevational view thereof;

FIG. 6 is a top plan view thereof;

FIG. 7 is a bottom plan view thereof;

FIG. 8 is an enlarged perspective view thereof, with the broken-line disclosure of a soap dish being for illustrative purposes only and forming no part of the claimed design;

FIG. 9 is an enlarged perspective view thereof, with the broken-line disclosure of a tumbler and shelf being for illustrative purposes only and forming no part of the claimed design;

FIG. 10 is an enlarged perspective view thereof, with the broken-line disclosure of a liquid soap dispenser being for illustrative purposes only and forming no part of the claimed design;

FIG. 11 is an enlarged perspective view thereof, with the broken-line disclosure of a towel ring being for illustrative purposes only and forming no part of the claimed design;

FIG. 12 is a perspective view thereof, with the broken-line disclosure of a double towel rod being for illustrative purposes only and forming no part of the claimed design;

FIG. 13 is a perspective view thereof, with the broken-line disclosure of a toilet paper roll holder being for illustrative purposes only and forming no part of the claimed design;

FIG. 14 is a perspective view thereof, with the broken-line disclosure of a spare toilet paper roll holder being for illustrative purposes only and forming no part of the claimed design;

FIG. 15 is an enlarged perspective view thereof, with the broken-line disclosure of a toilet brush and holder being for illustrative purposes only and forming no part of the claimed design;

FIG. 16 is a reduced perspective view thereof, with the broken-line disclosure of a vanity shelf being for illustrative purposes only and forming no part of the claimed design;

FIG. 17 is a reduced perspective view thereof, with the broken-line disclosure of a bath towel bar being for illustrative purposes only and forming no part of the claimed design; and,

FIG. 18 is a reduced perspective view thereof, with the broken-line disclosure of a wire basket being for illustrative purposes only and forming no part of the claimed design.

1 Claim, 8 Drawing Sheets

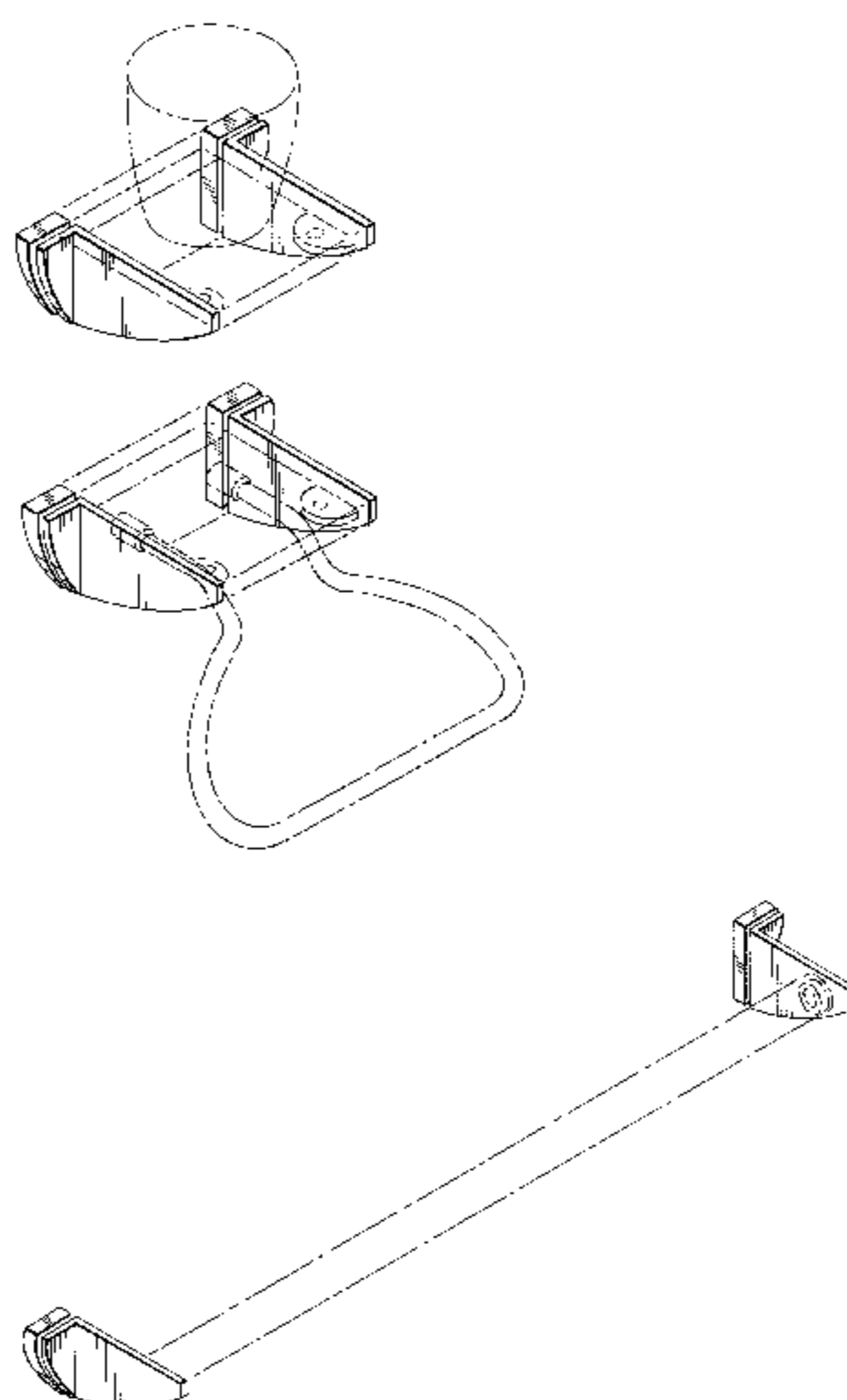


FIG. 1

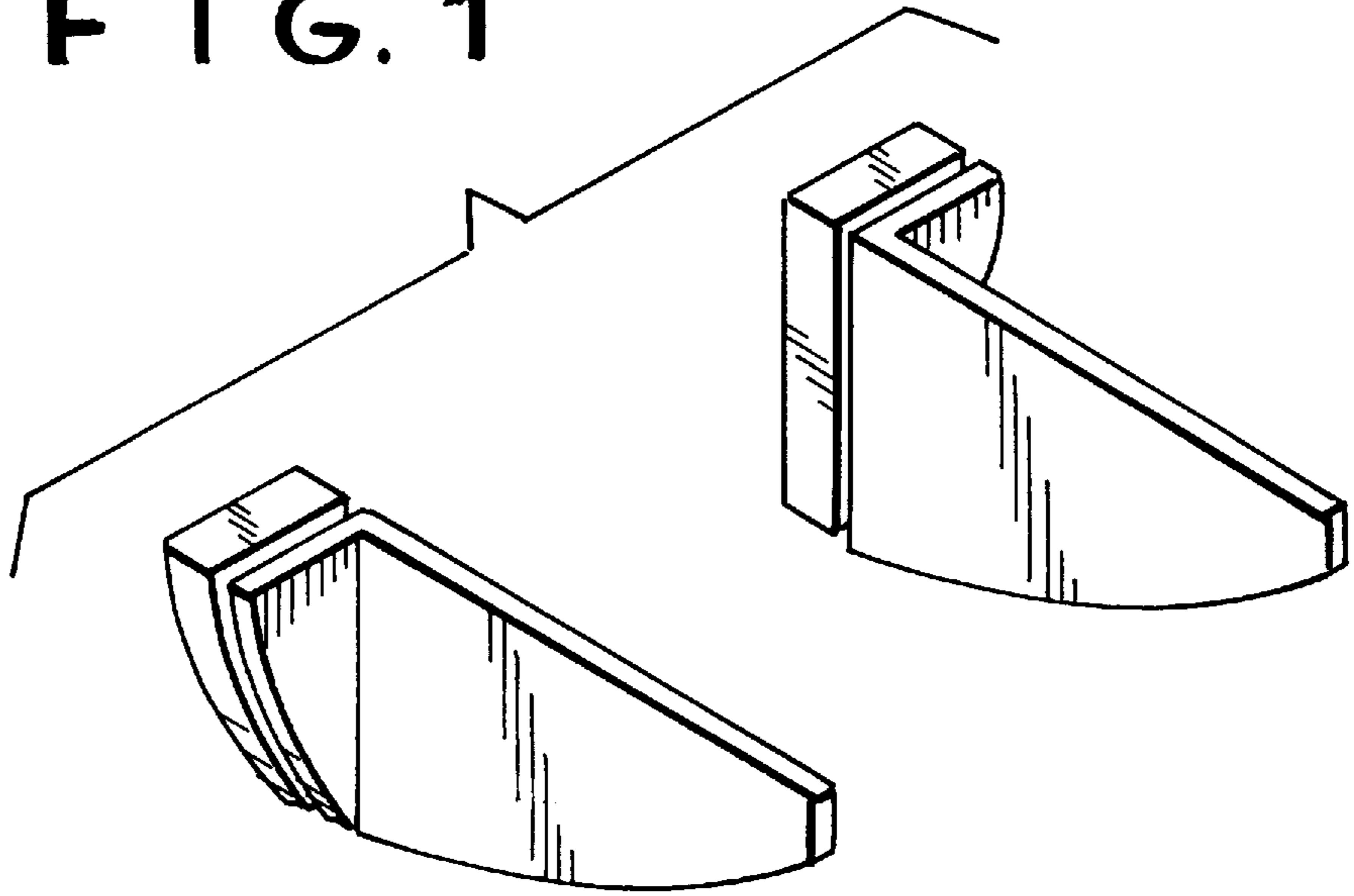


FIG. 4

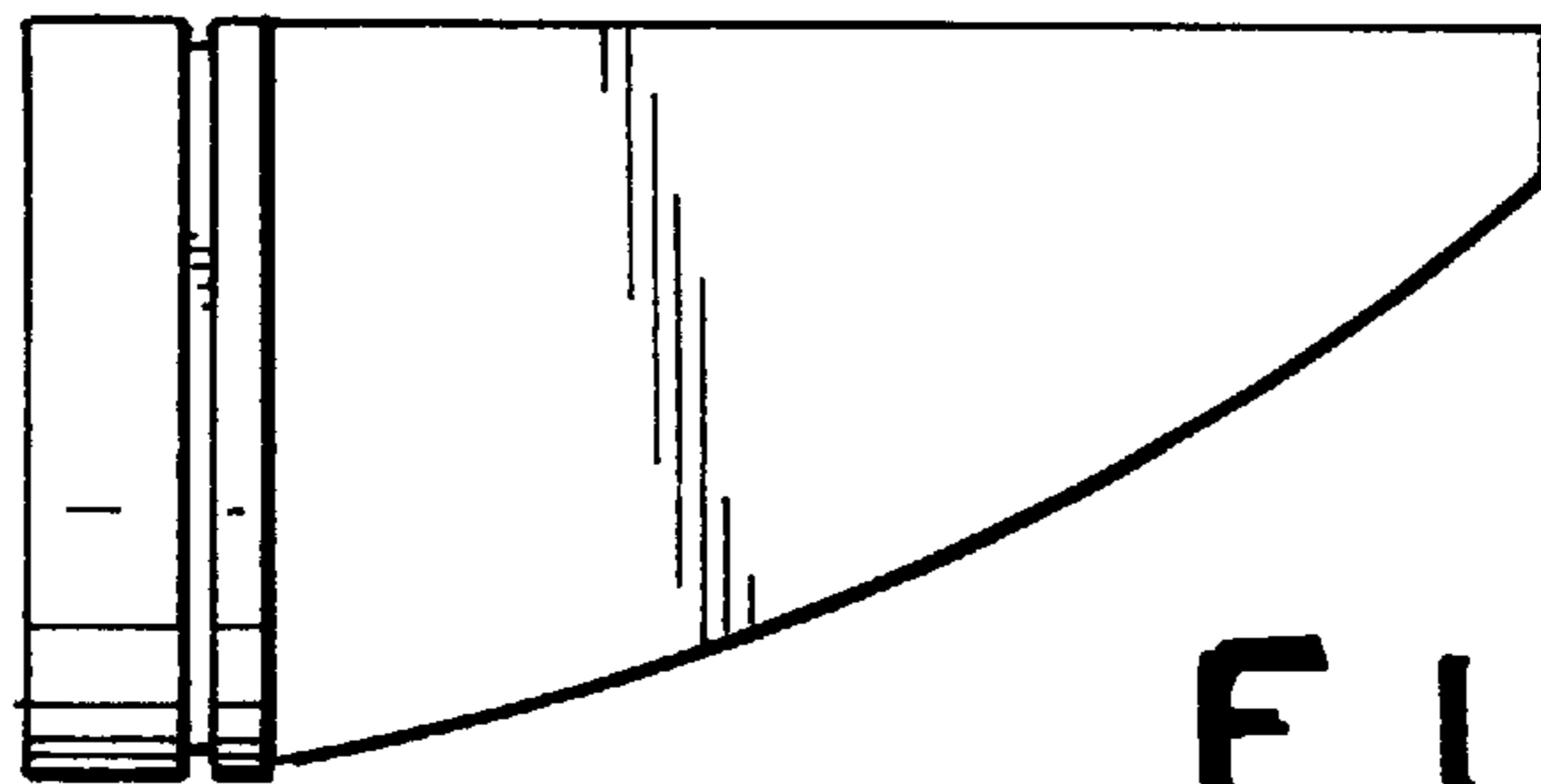
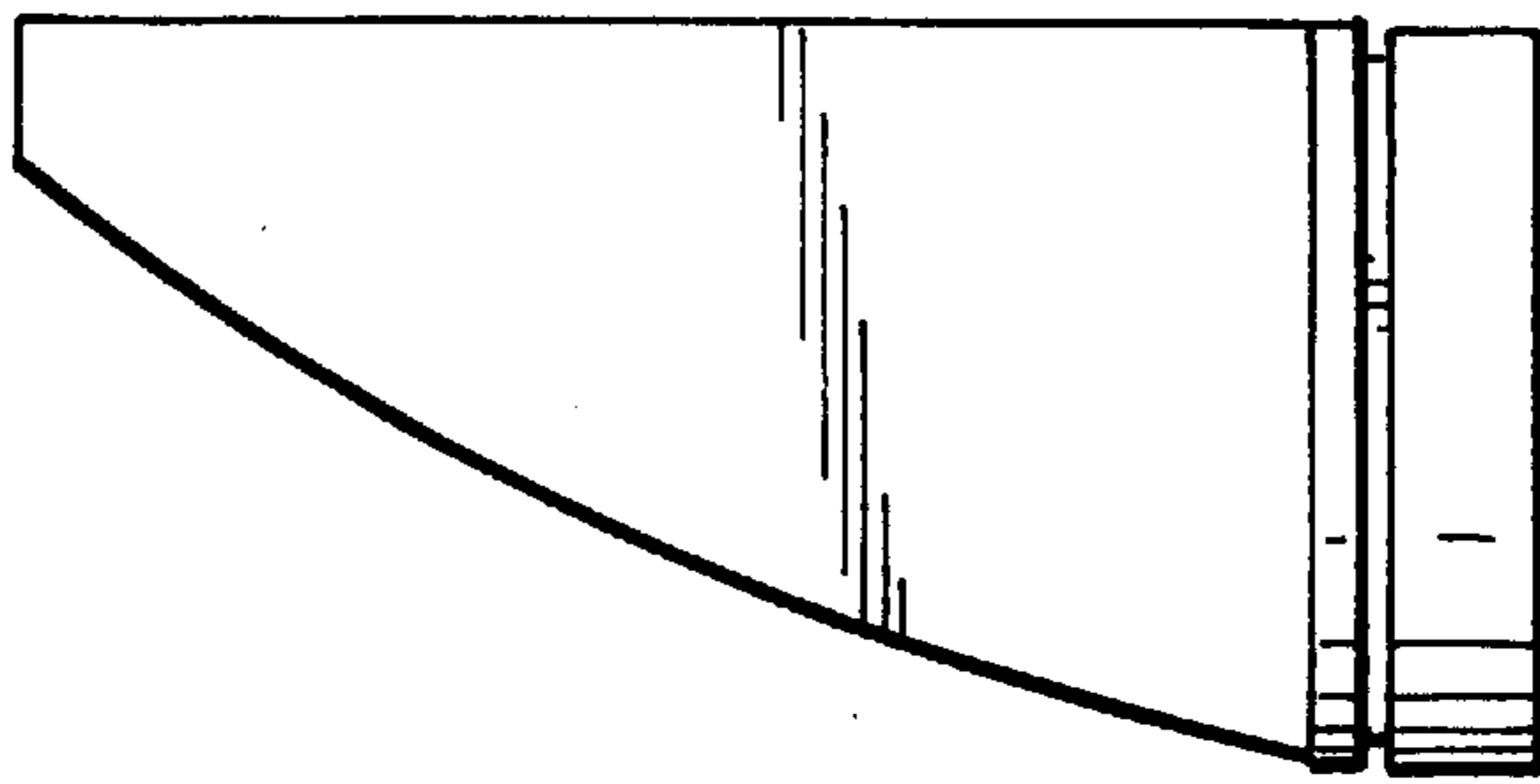


FIG. 5

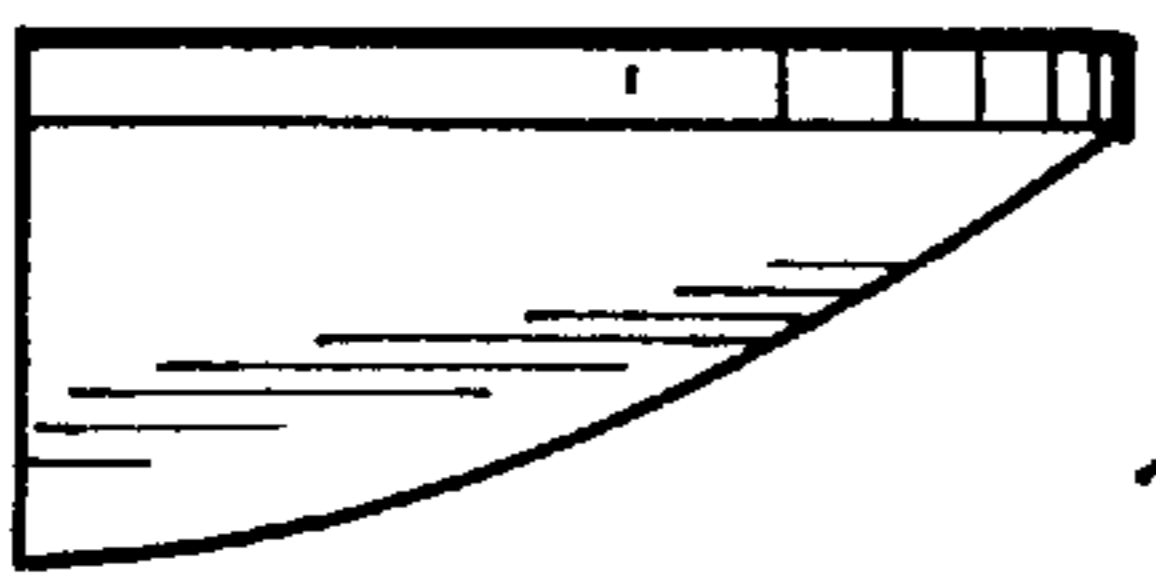
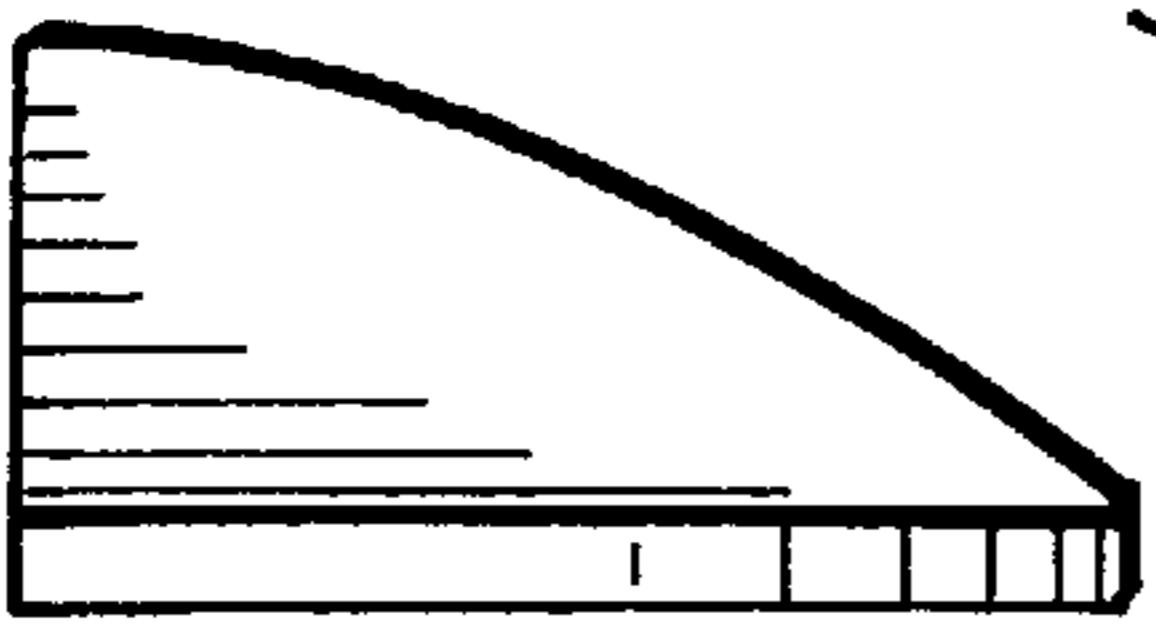
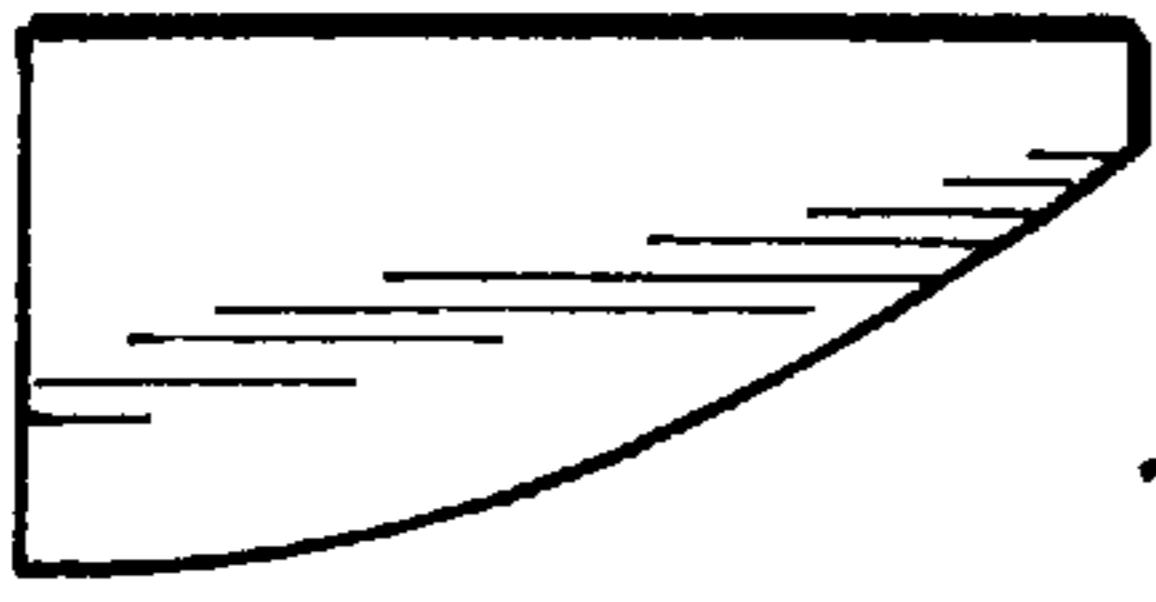
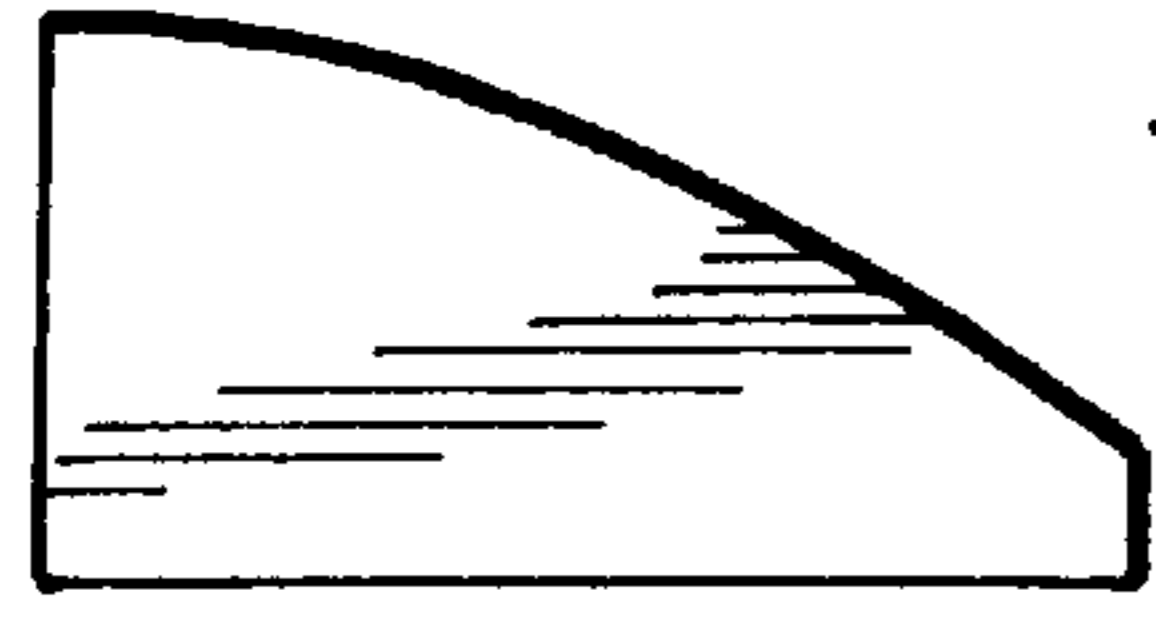


FIG. 2

FIG. 3

FIG. 6

FIG. 7

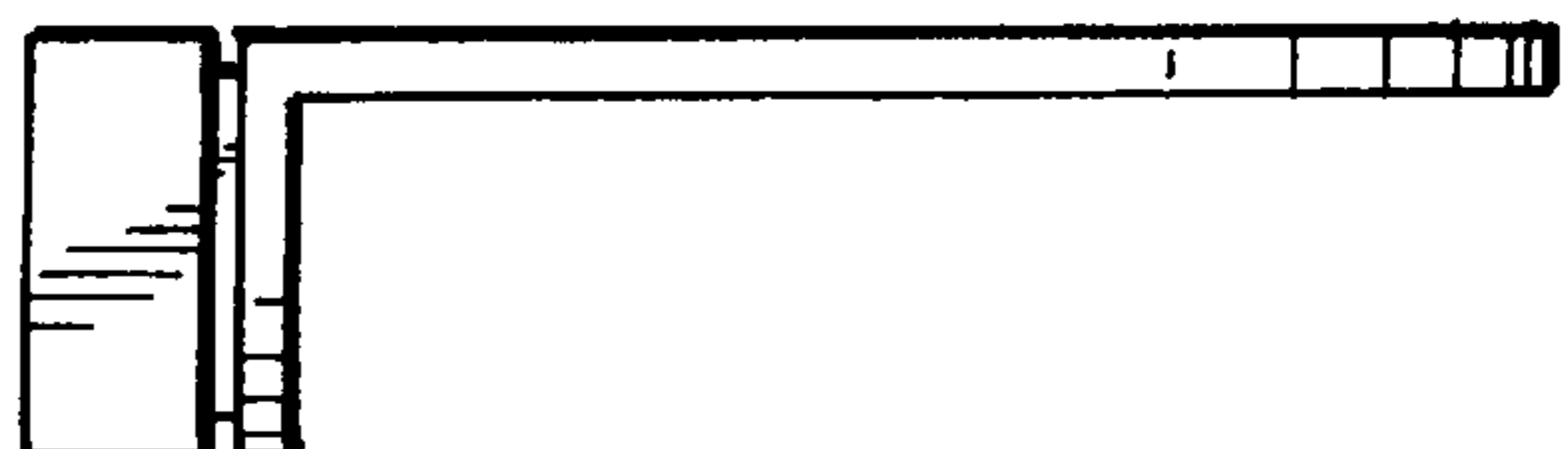
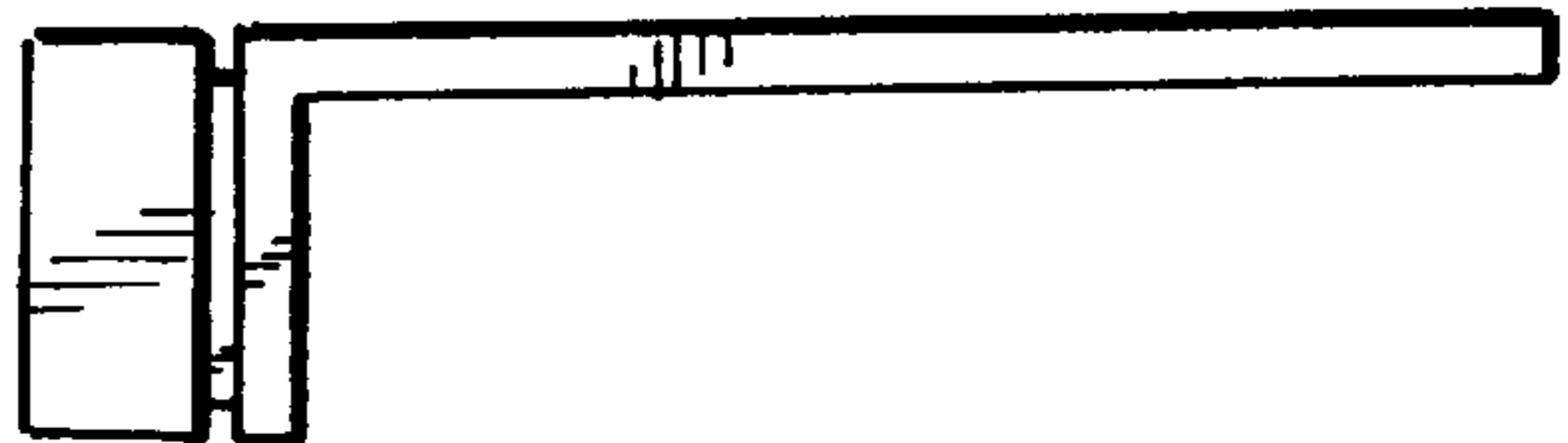


FIG. 8

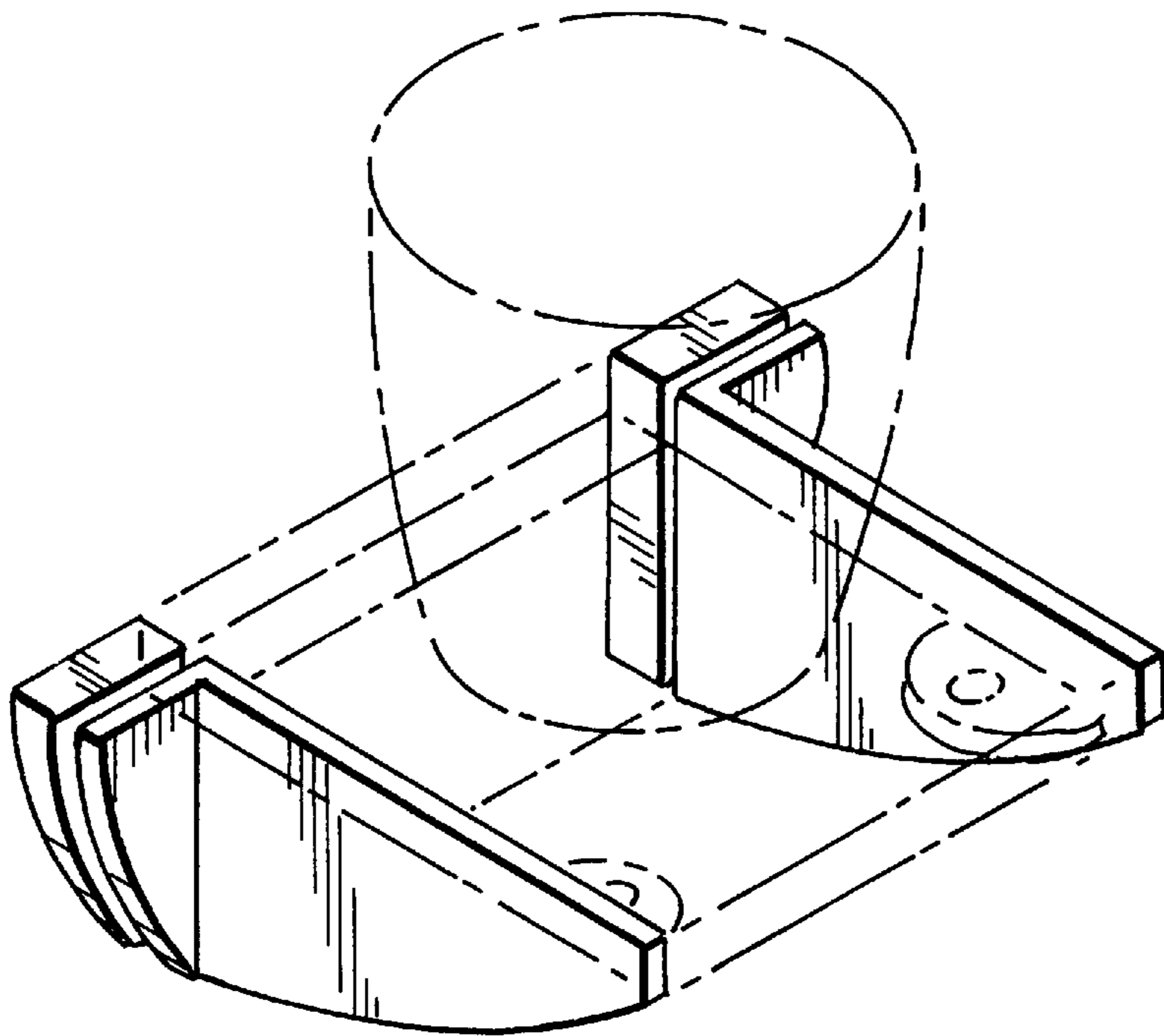
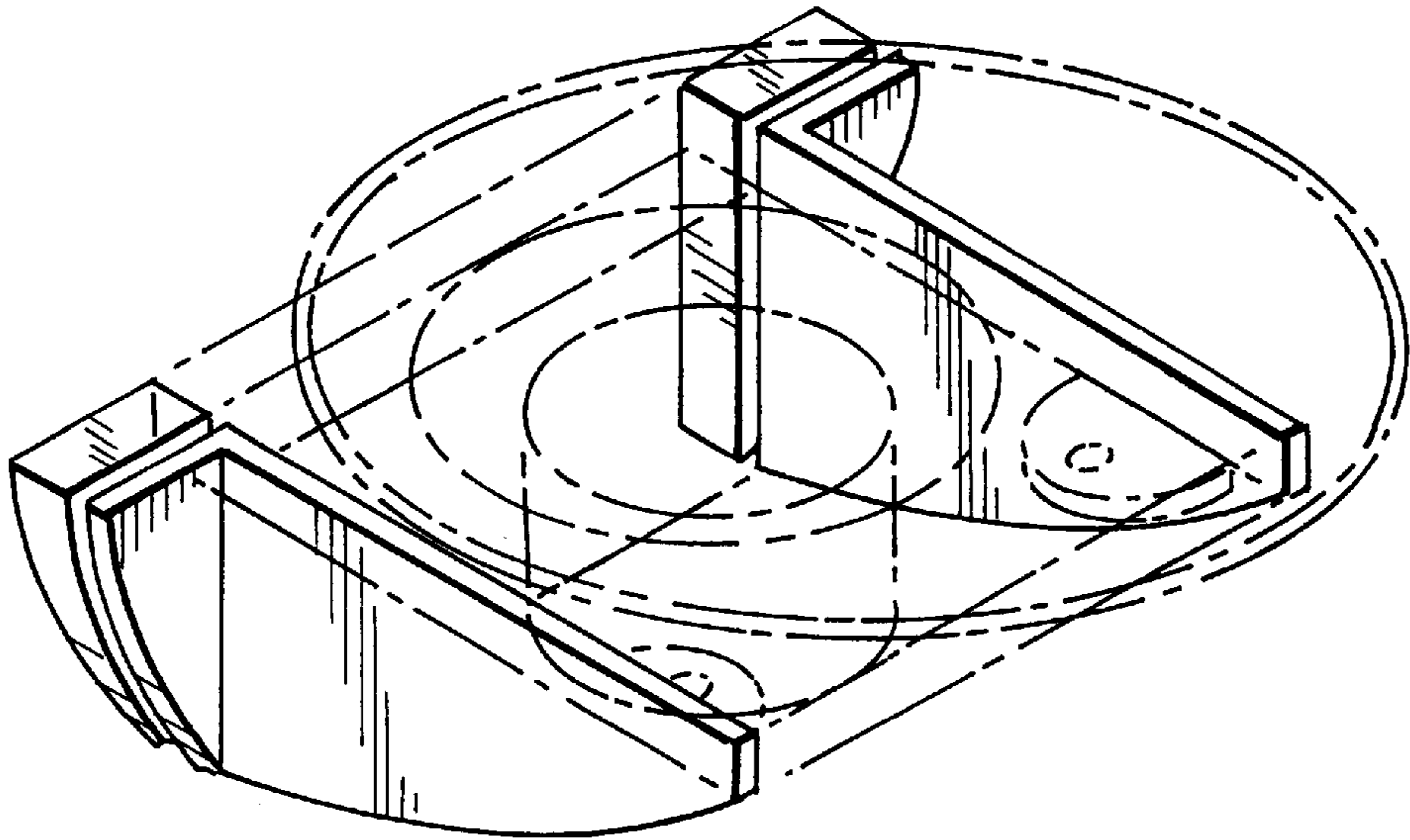


FIG. 9

FIG. 10

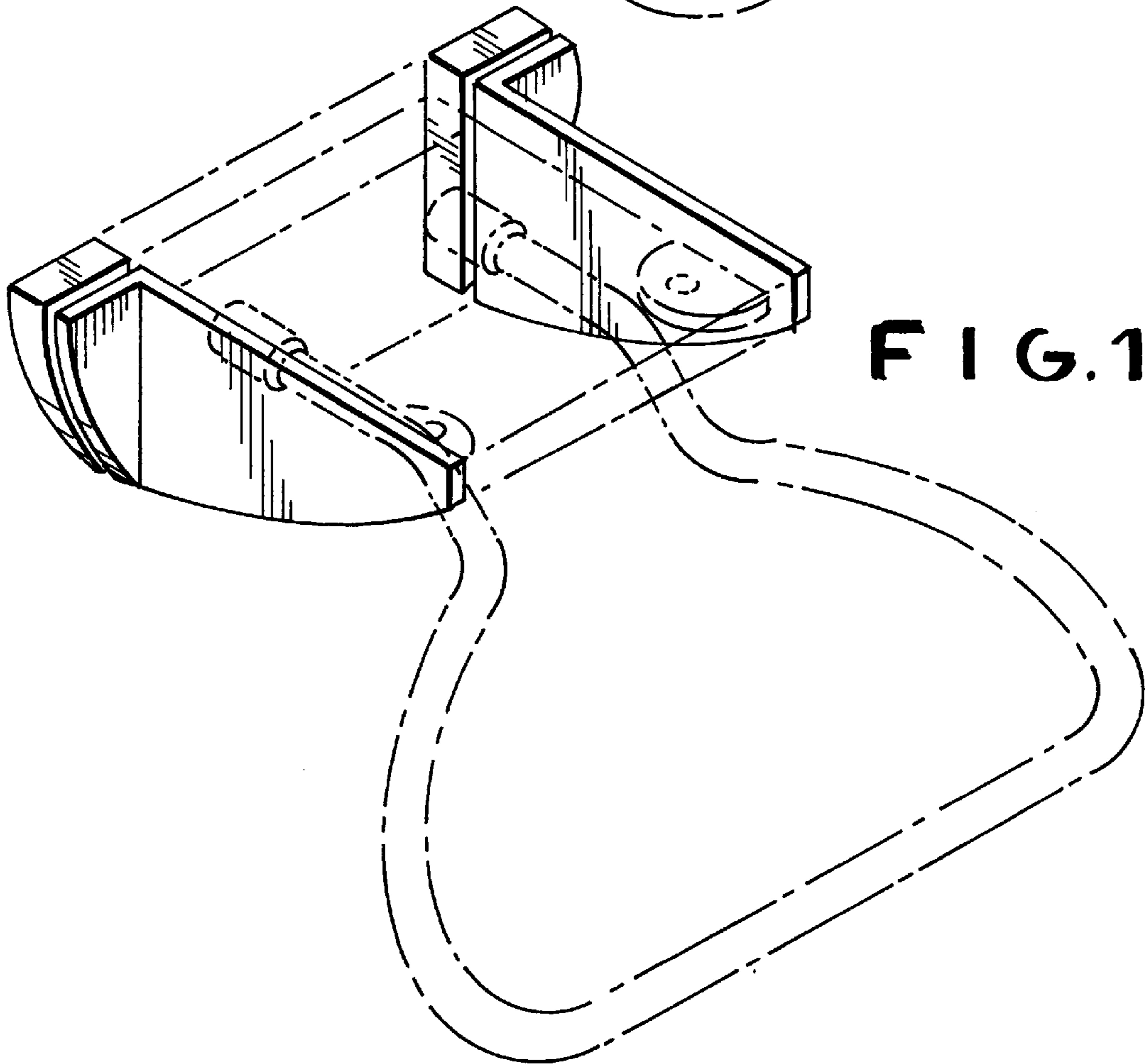
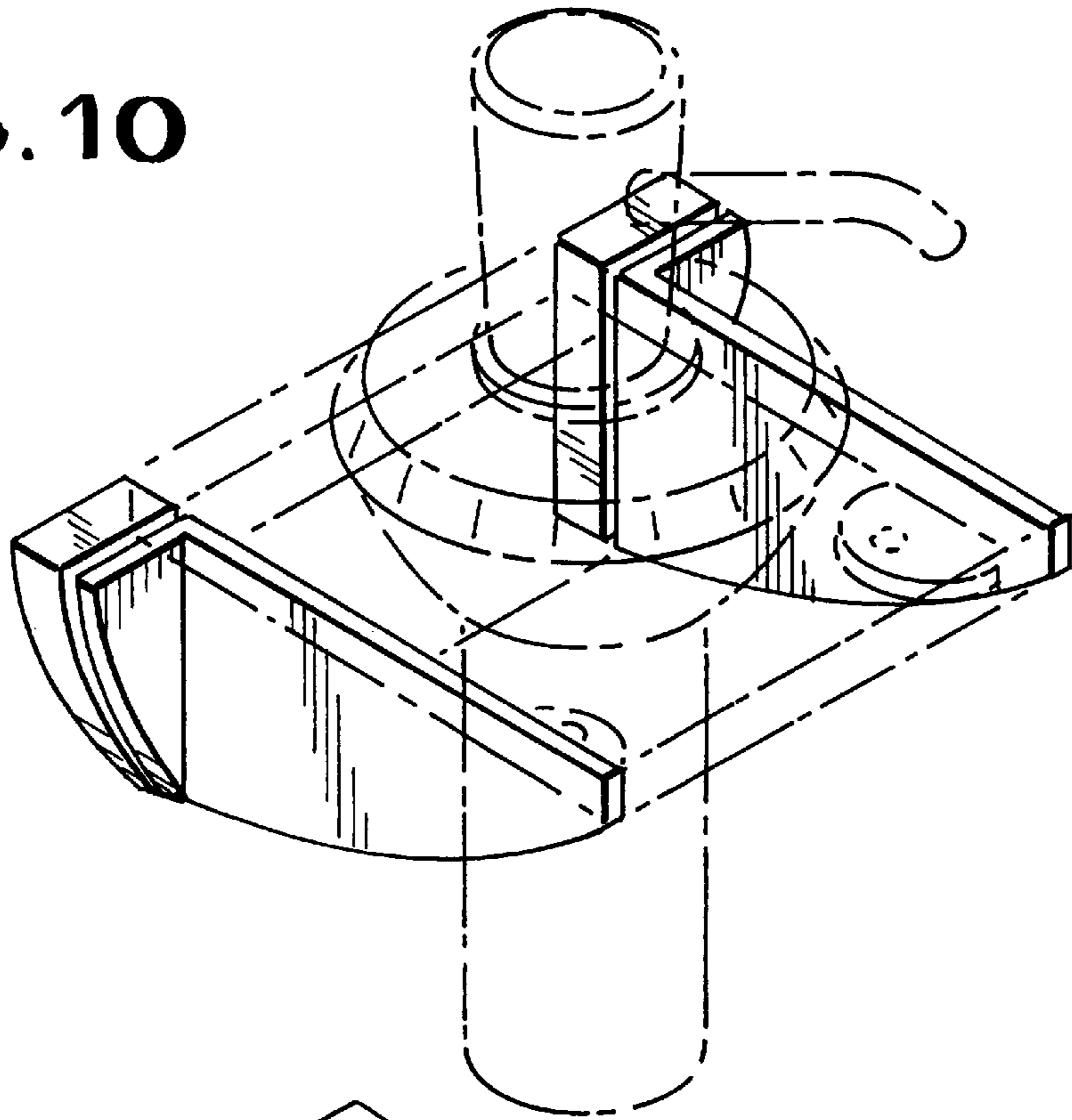


FIG. 11

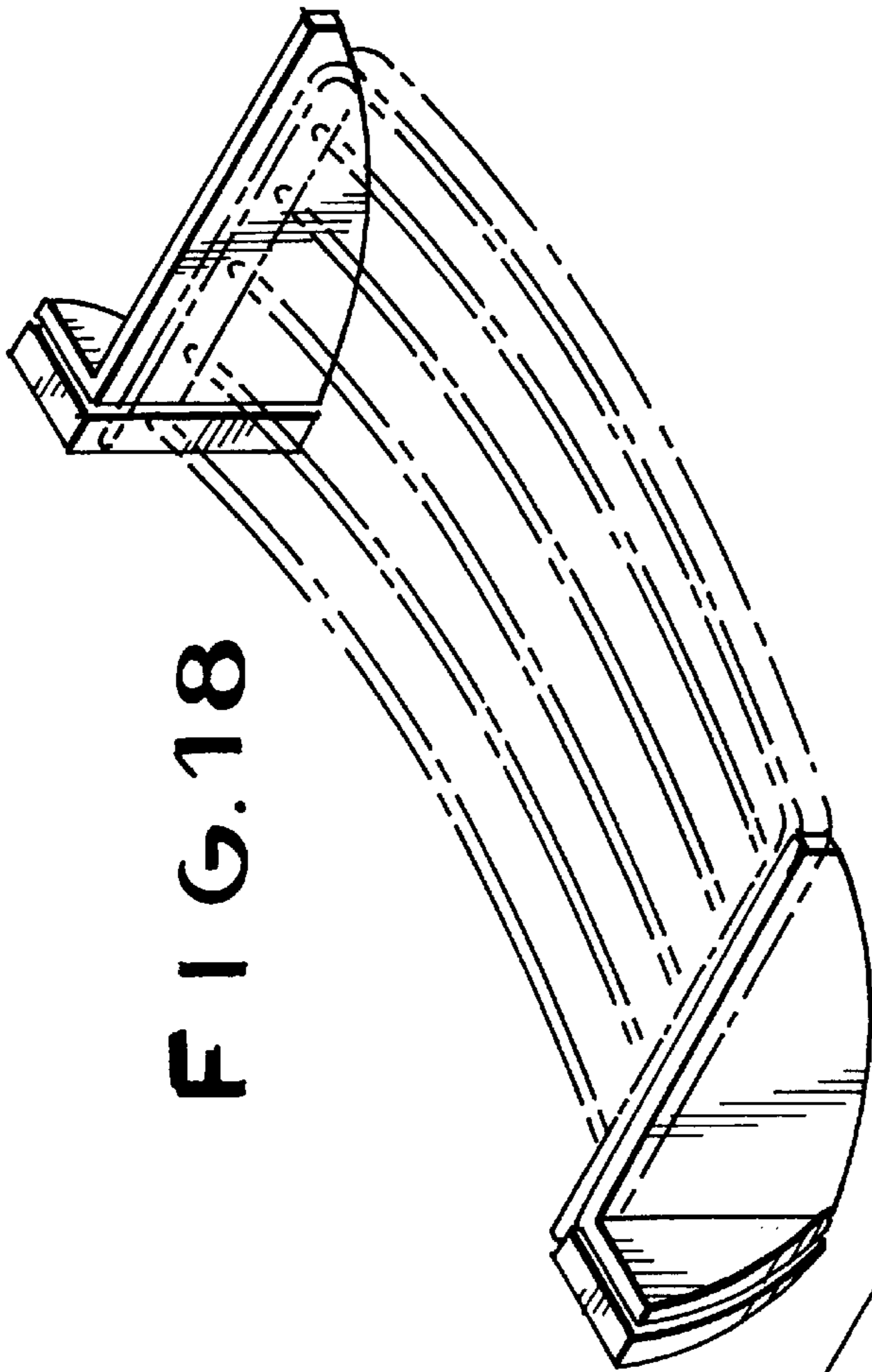


FIG. 18

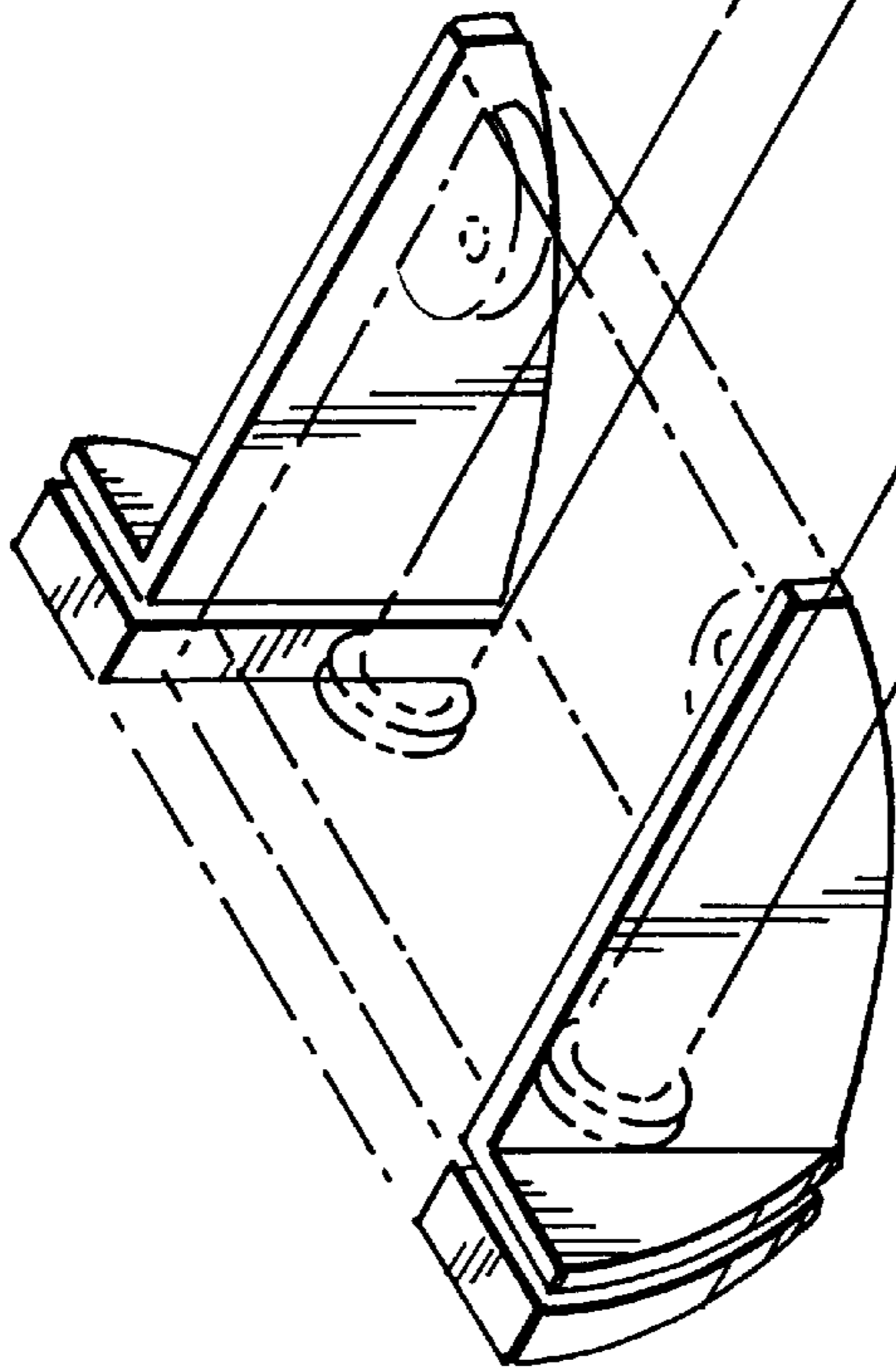
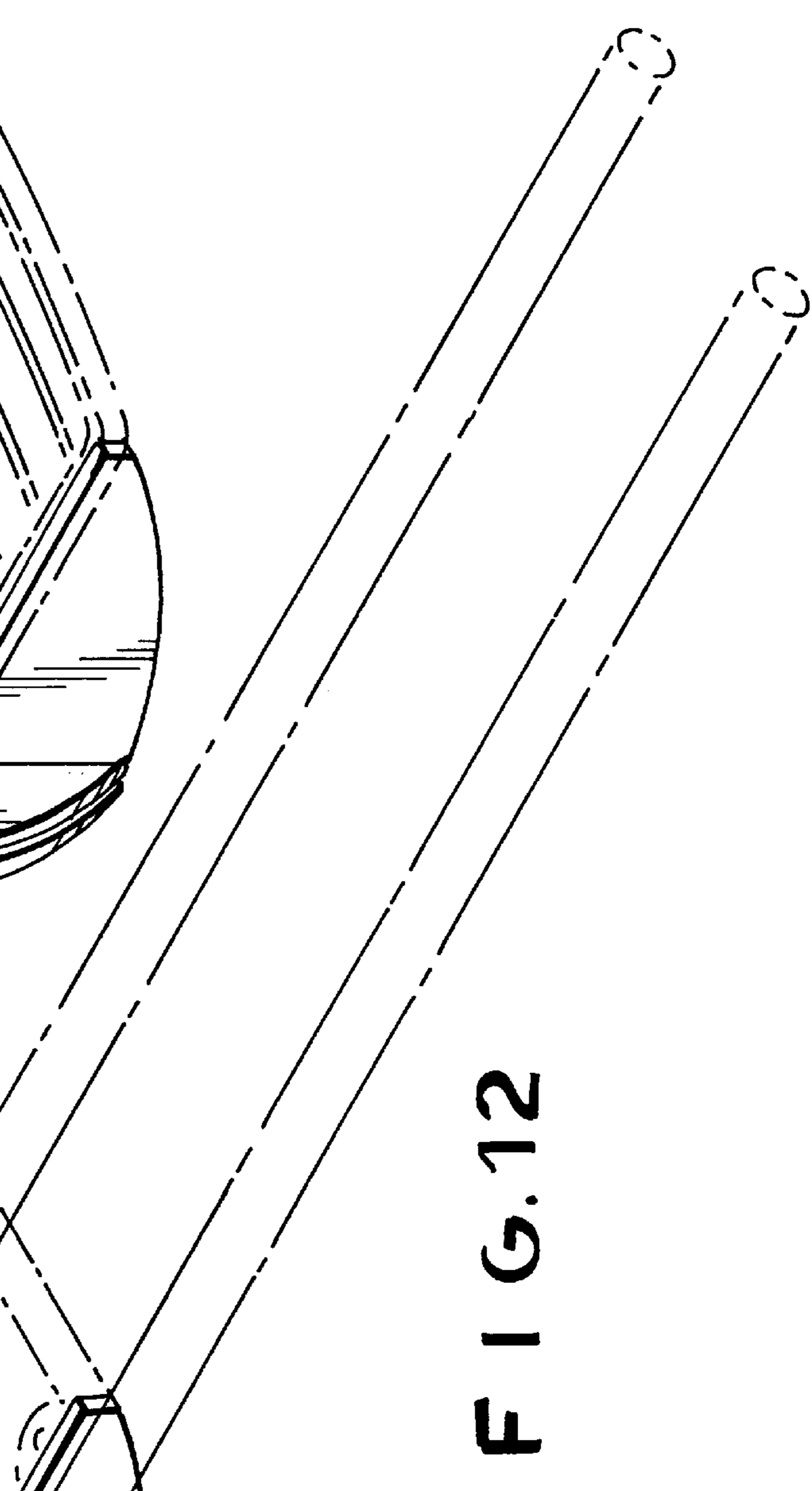


FIG. 12



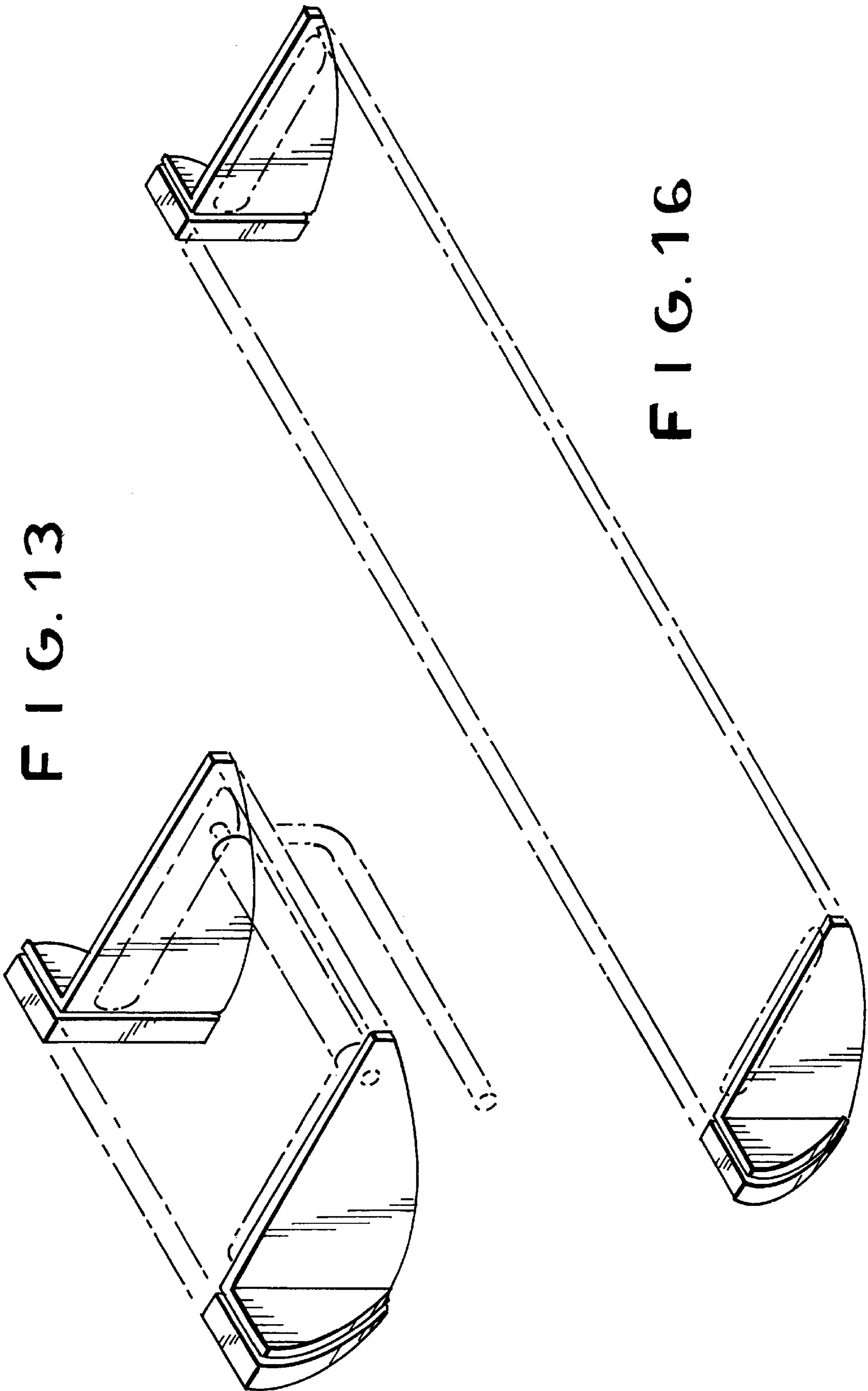


FIG. 13

FIG. 16

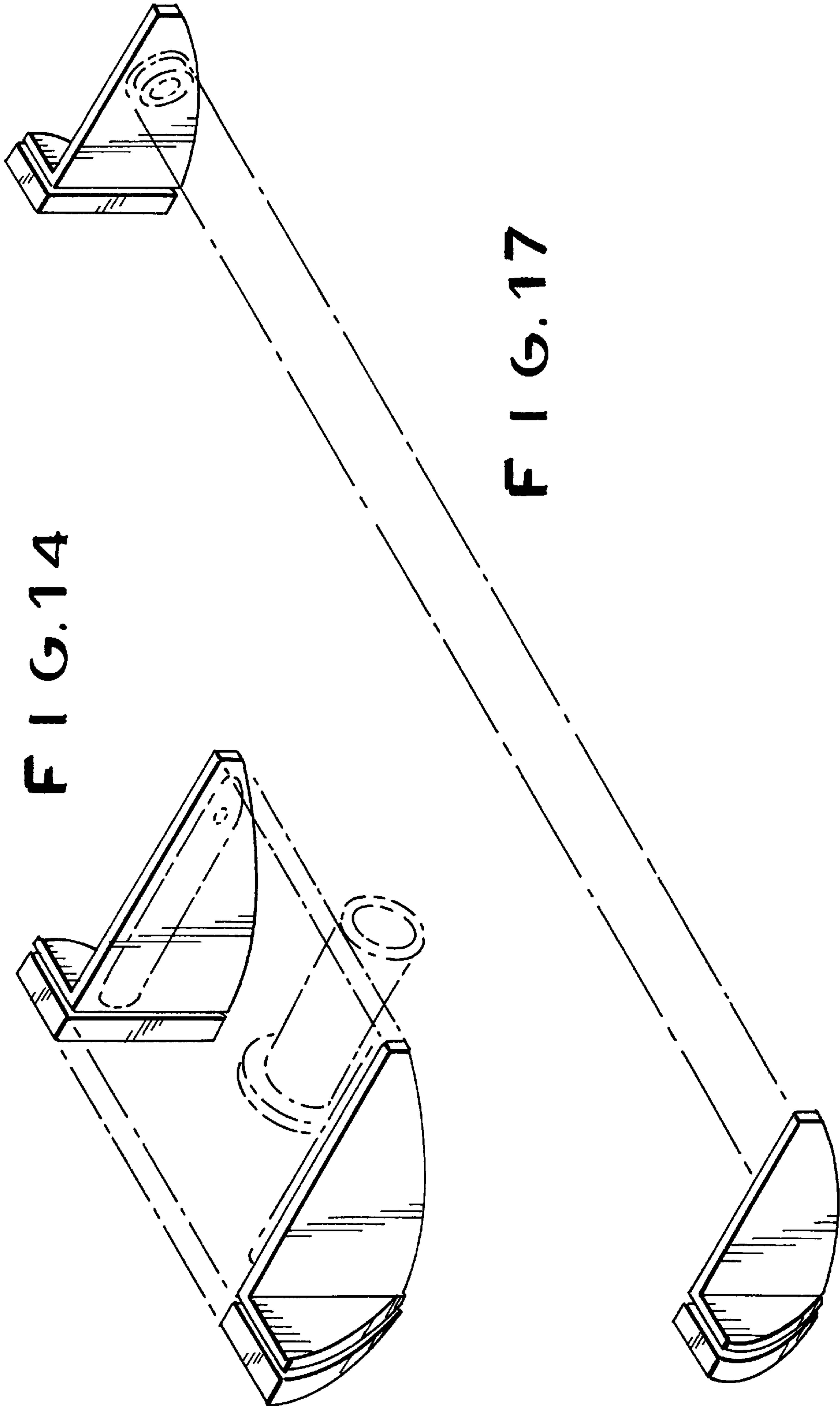


FIG. 15

