



US00D407247S

United States Patent [19] Brezney

[11] Patent Number: **Des. 407,247**

[45] Date of Patent: ****Mar. 30, 1999**

[54] **SHELF**

[75] Inventor: **Jacqueline W. Brezney**, Flemington, N.J.

[73] Assignee: **M. Kamenstein, Inc.**, Elmsford, N.Y.

[**] Term: **14 Years**

[21] Appl. No.: **81,903**

[22] Filed: **Jan. 10, 1998**

[51] **LOC (6) Cl.** **06-04**

[52] **U.S. Cl.** **D6/511**

[58] **Field of Search** D6/449, 406.5, D6/406.6, 474, 477, 479; 211/37, 42, 43, 70.1, 72, 134, 153, 135, 194.1; 108/61, 106, 126, 91; D23/286; 248/146, 152, 174

[56] **References Cited**

U.S. PATENT DOCUMENTS

- D. 180,720 7/1957 Orvedahl D6/406.5
- D. 227,065 6/1973 Mayers D6/449
- D. 234,994 4/1975 Stiene D6/449
- D. 274,729 7/1984 Hovey et al. D6/475 X
- D. 293,493 12/1987 Garr D6/449
- D. 305,840 2/1990 Mephah D6/479 X

- D. 334,304 3/1993 Gilman D6/449
- 3,695,190 10/1972 Bucholz 108/91
- 4,763,580 8/1988 Garland 108/91

Primary Examiner—James Gandy
Assistant Examiner—Linda Brooks
Attorney, Agent, or Firm—Robert A. Koons, Jr.; James W. Bolcsak

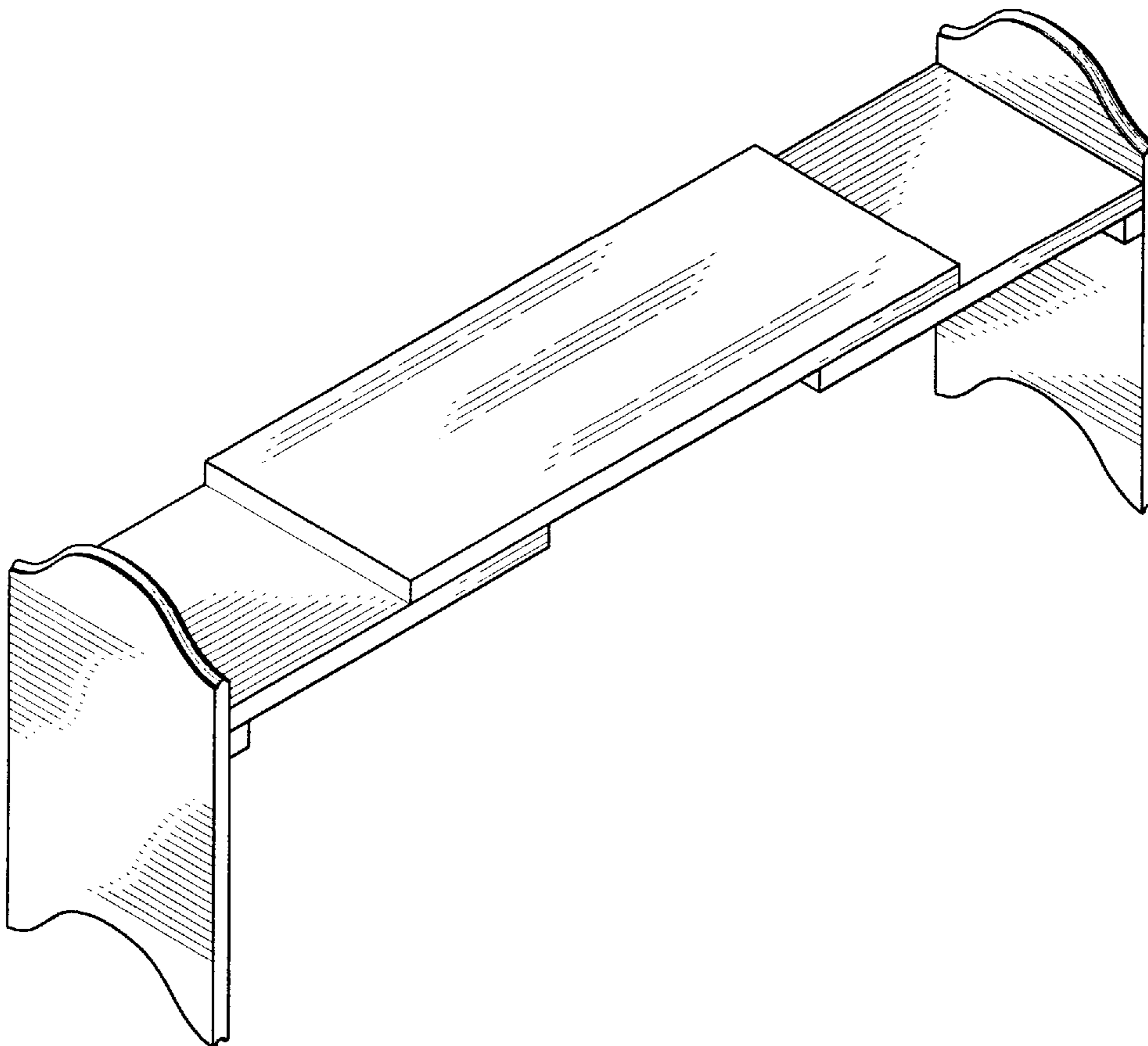
[57] **CLAIM**

The ornamental design for a shelf, as shown and described.

DESCRIPTION

FIG. 1 is a perspective view of a shelf showing my new design;
FIG. 2 is an enlarged fragmentary perspective view of the inside wall of the right vertical support;
FIG. 3 is a perspective view of the shelf assembly in full lines, with the broken lines showing matter for illustrative purposes only and forming no part of the claimed design;
FIG. 4 is a top plan view of the new design;
FIG. 5 is a front elevational view thereof, a view of the back being a mirror image thereof;
FIG. 6 is a bottom plan view thereof; and,
FIG. 7 is a left side elevational view thereof, a view of the right side being a mirror image thereof.

1 Claim, 4 Drawing Sheets



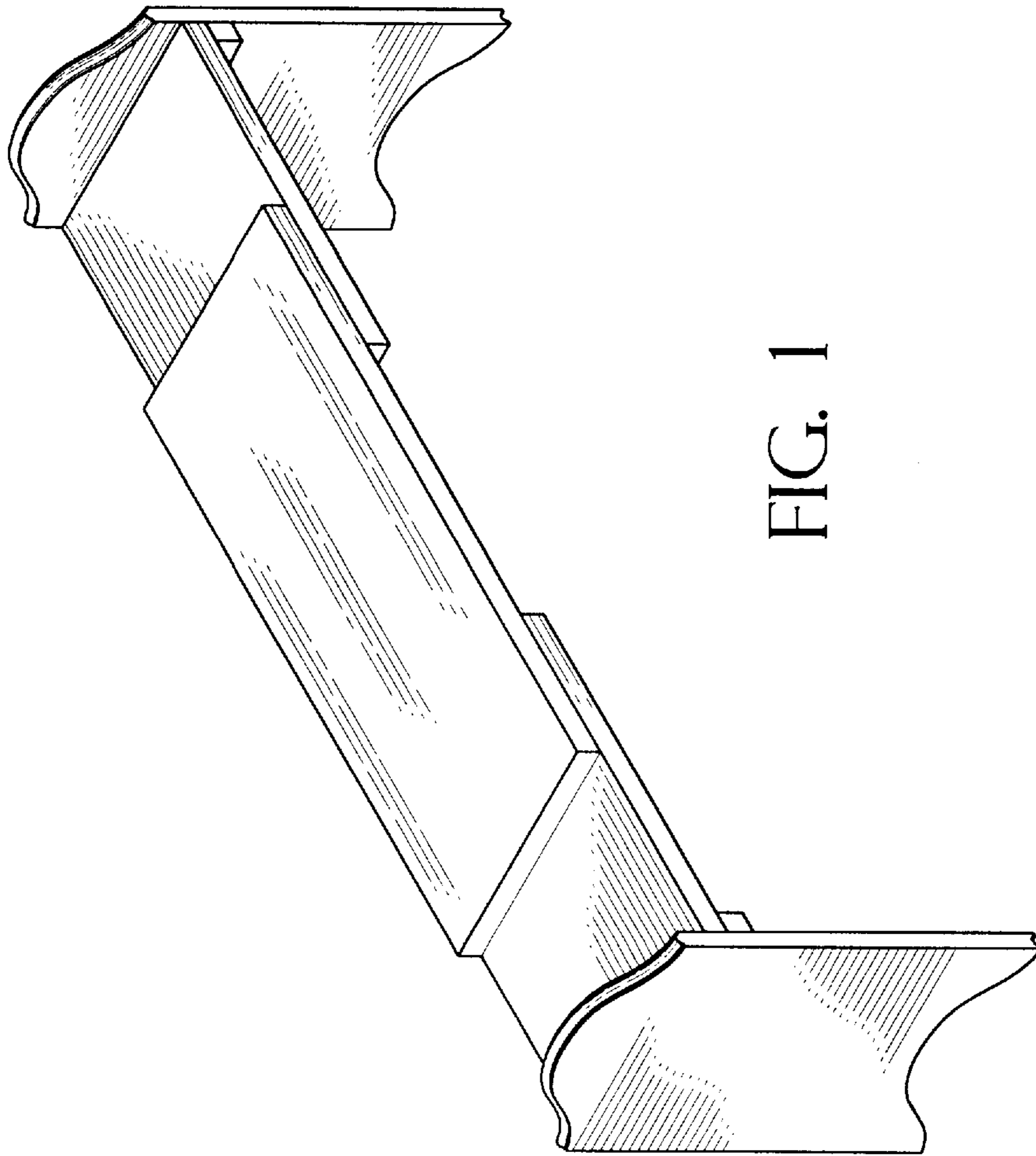


FIG. 1

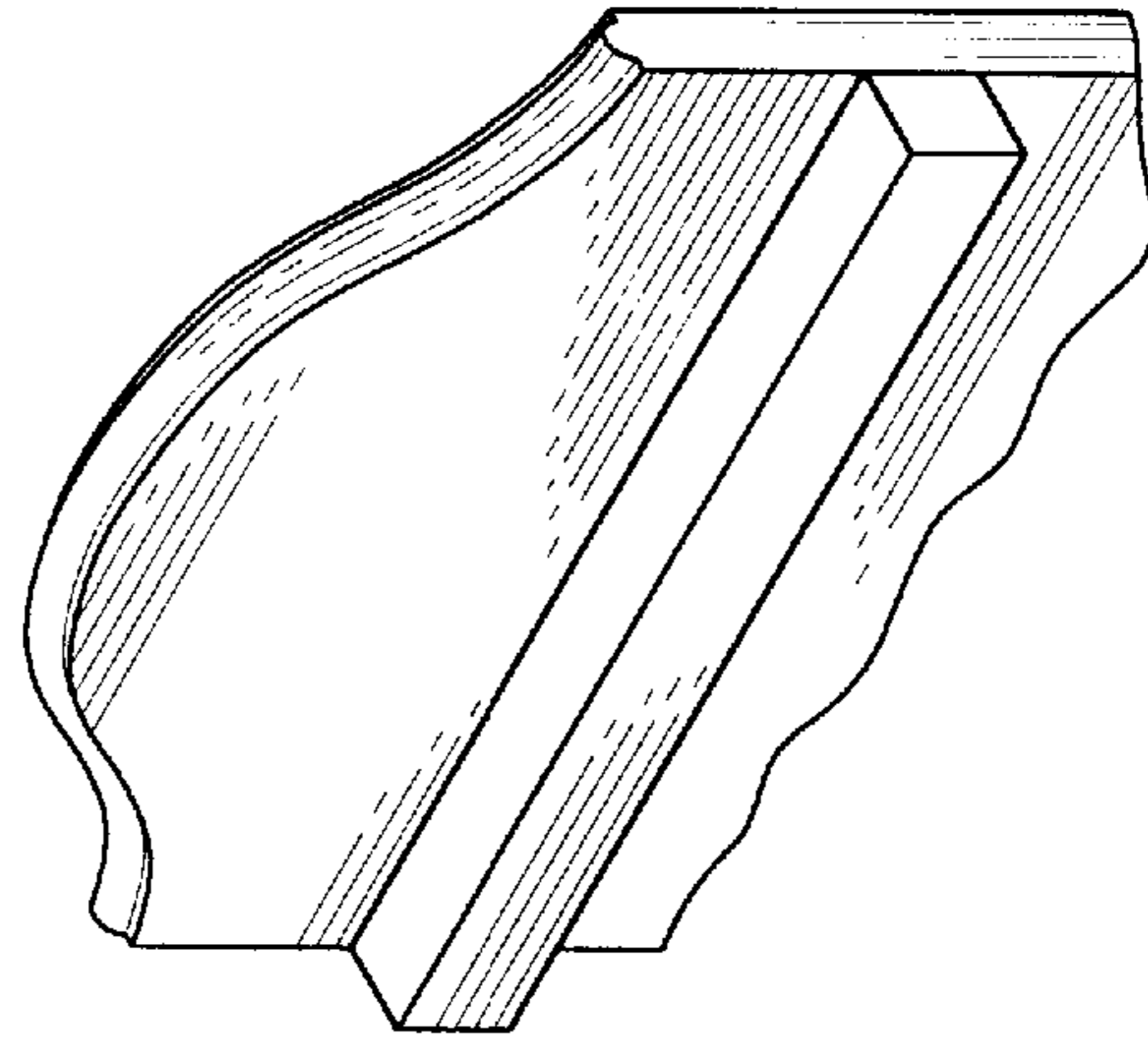


FIG. 2

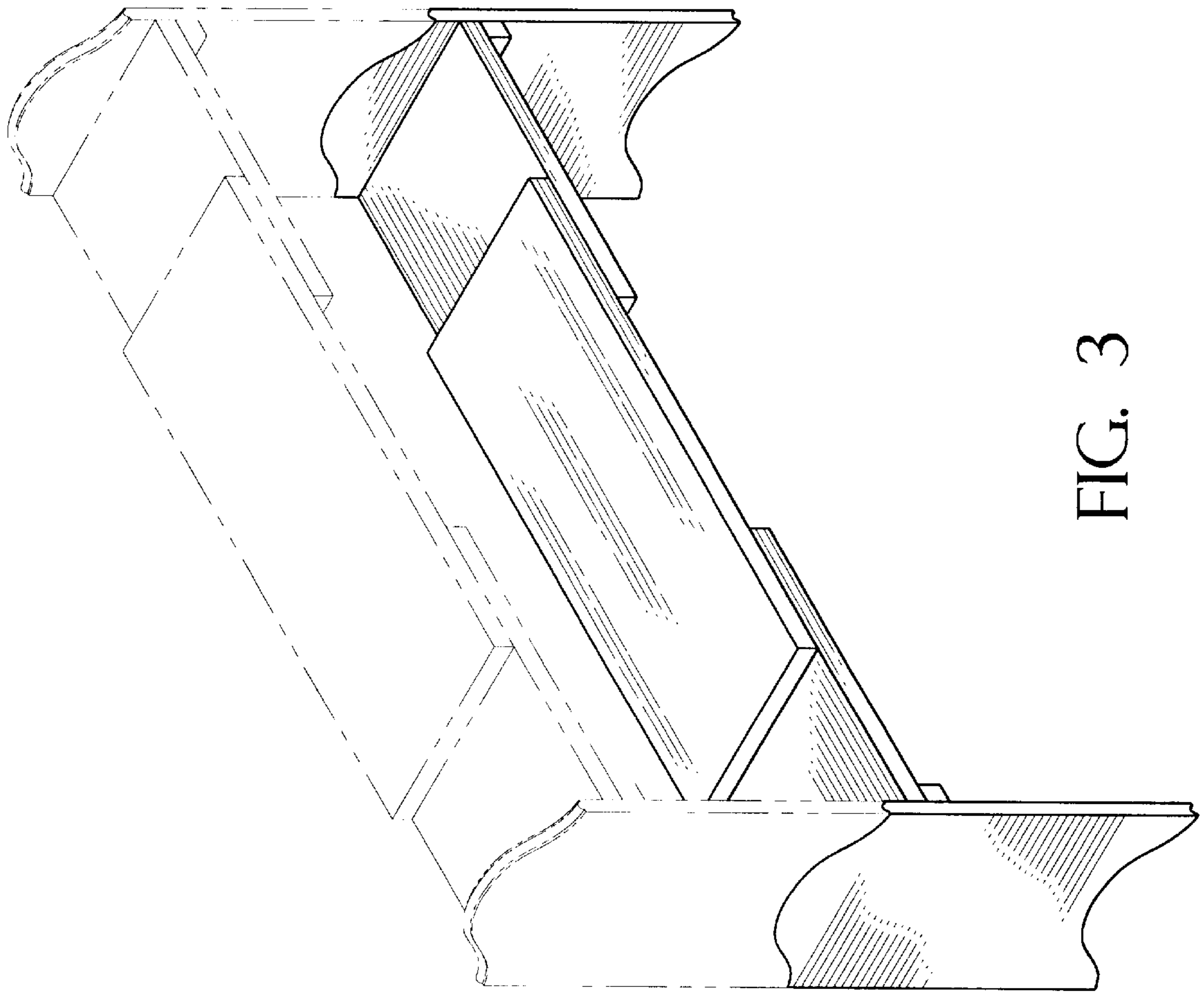


FIG. 3

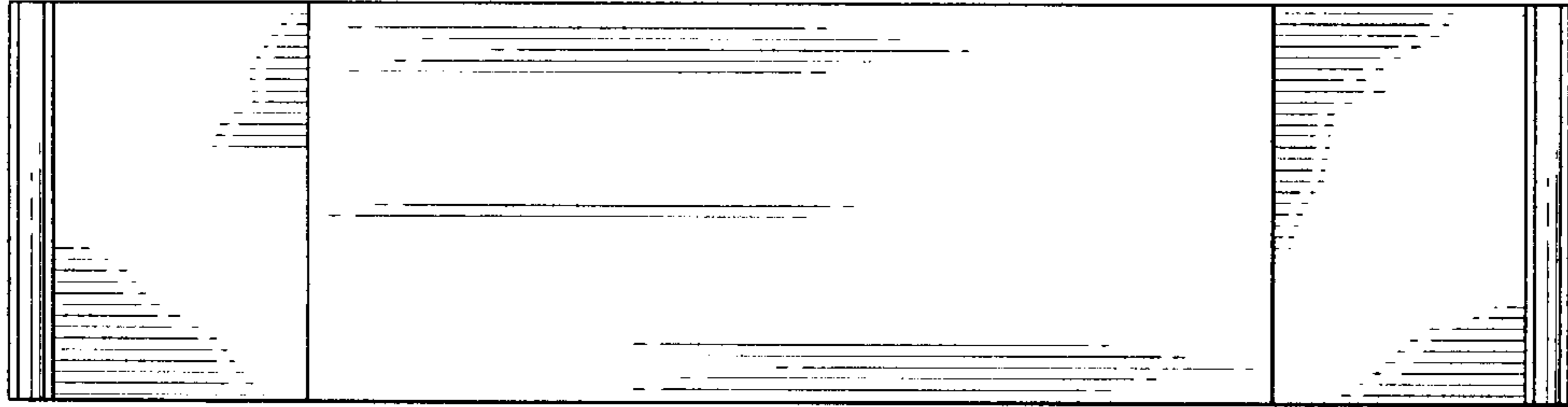


FIG. 4

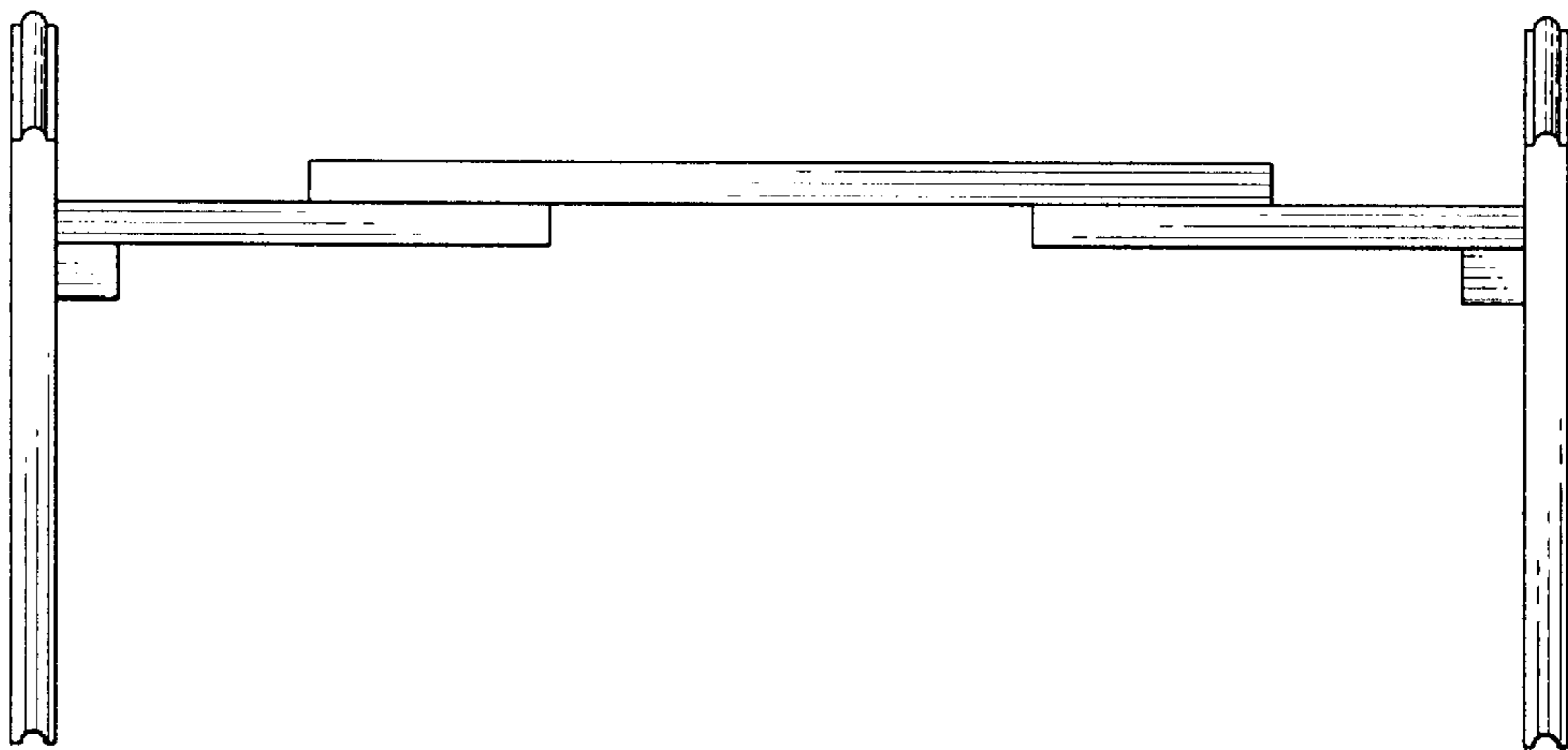


FIG. 5

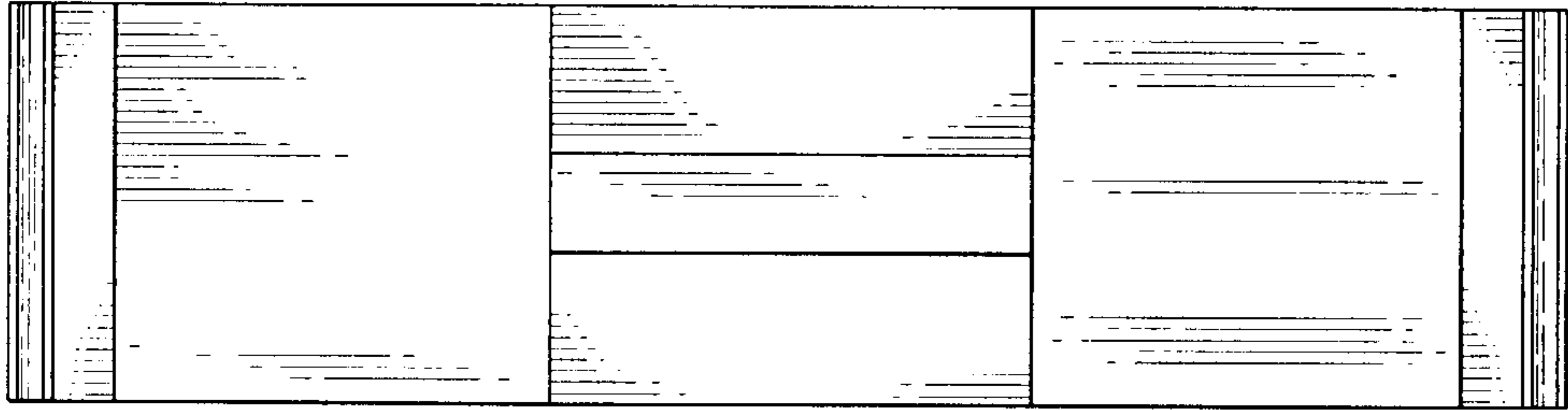


FIG. 6

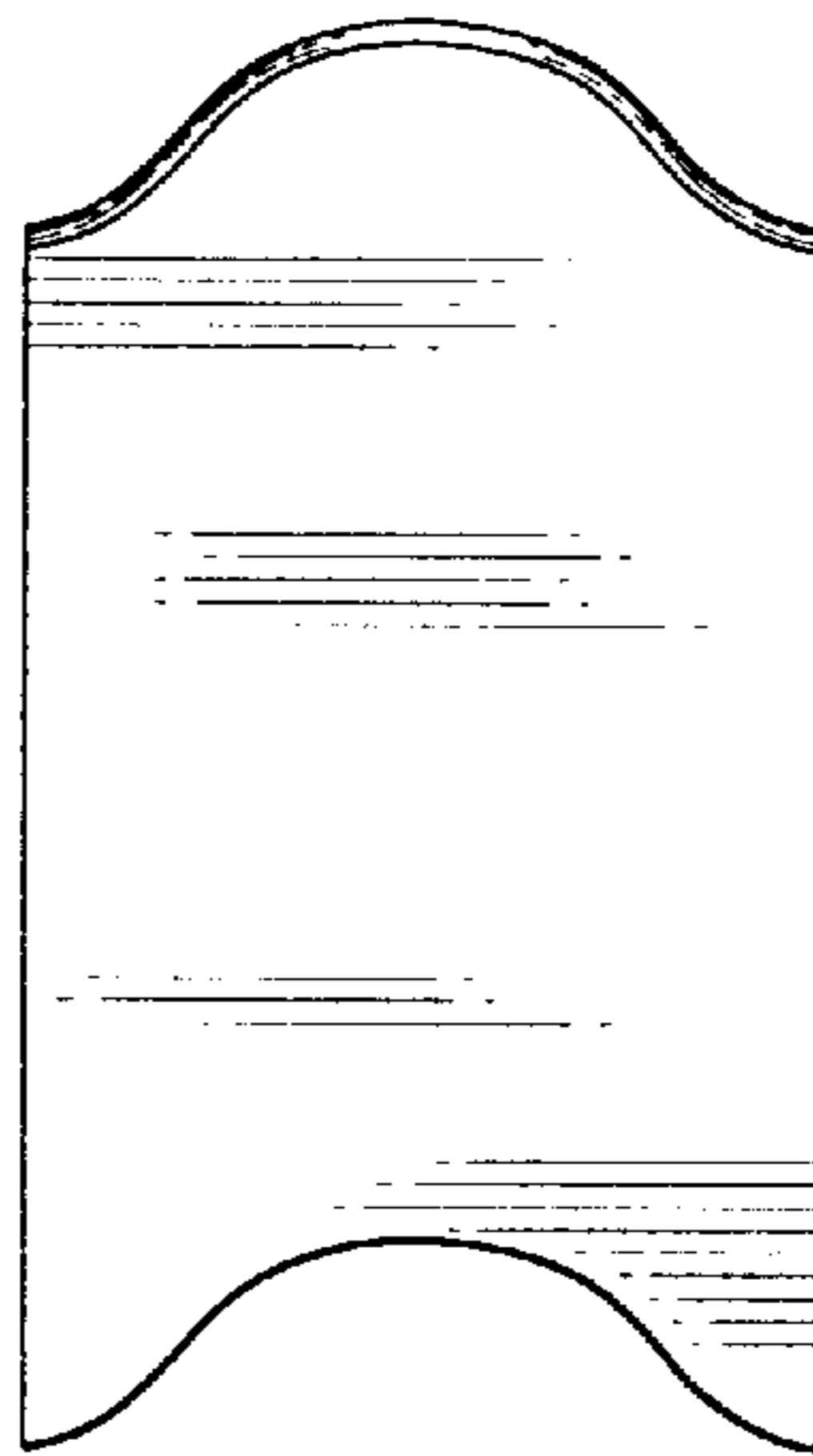


FIG. 7