



US00D407245S

**United States Patent** [19]  
**Lewis**

[11] **Patent Number: Des. 407,245**

[45] **Date of Patent: \*\*Mar. 30, 1999**

[54] **TABLE**

[76] Inventor: **Sally Sirkin Lewis**, 715 N. Canon Dr.,  
Beverly Hills, Calif. 90210

[\*\*] Term: **14 Years**

[21] Appl. No.: **76,419**

[22] Filed: **Sep. 9, 1997**

**Related U.S. Application Data**

[63] Continuation-in-part of Ser. No. 58,762, Aug. 22, 1996.

[51] **LOC (6) Cl.** ..... **06-03**

[52] **U.S. Cl.** ..... **D6/484; D6/480**

[58] **Field of Search** ..... D6/480-489, 495,  
D6/429; 108/155, 156, 157, 161; 248/188.1

[56] **References Cited**

**U.S. PATENT DOCUMENTS**

D. 376,500 12/1996 Lewis ..... D6/484

**OTHER PUBLICATIONS**

Domus, Sep. 1990, table at top.  
Bloomingdales, Jun. 1994, p. 7, table at bottom.  
SSL GT-031, Rivoli Game Table © 1983.

*Primary Examiner*—Janice E. Seeger  
*Attorney, Agent, or Firm*—Marvin H. Kleinberg; Kleinberg  
& Lerner, LLP

[57] **CLAIM**

The ornamental design for a table, as shown and described.

**DESCRIPTION**

FIG. 1 is a side view of the table of the present invention;  
FIG. 2 is a front view of the table of FIG. 1;  
FIG. 3 is a rear view of the table of FIG. 1;  
FIG. 4 is a top view of the table of FIG. 1;  
FIG. 5 is a bottom view of the table of FIG. 1; and,  
FIG. 6 is a perspective view of the table of FIG. 1.  
The left and right side views are identical.

**1 Claim, 4 Drawing Sheets**

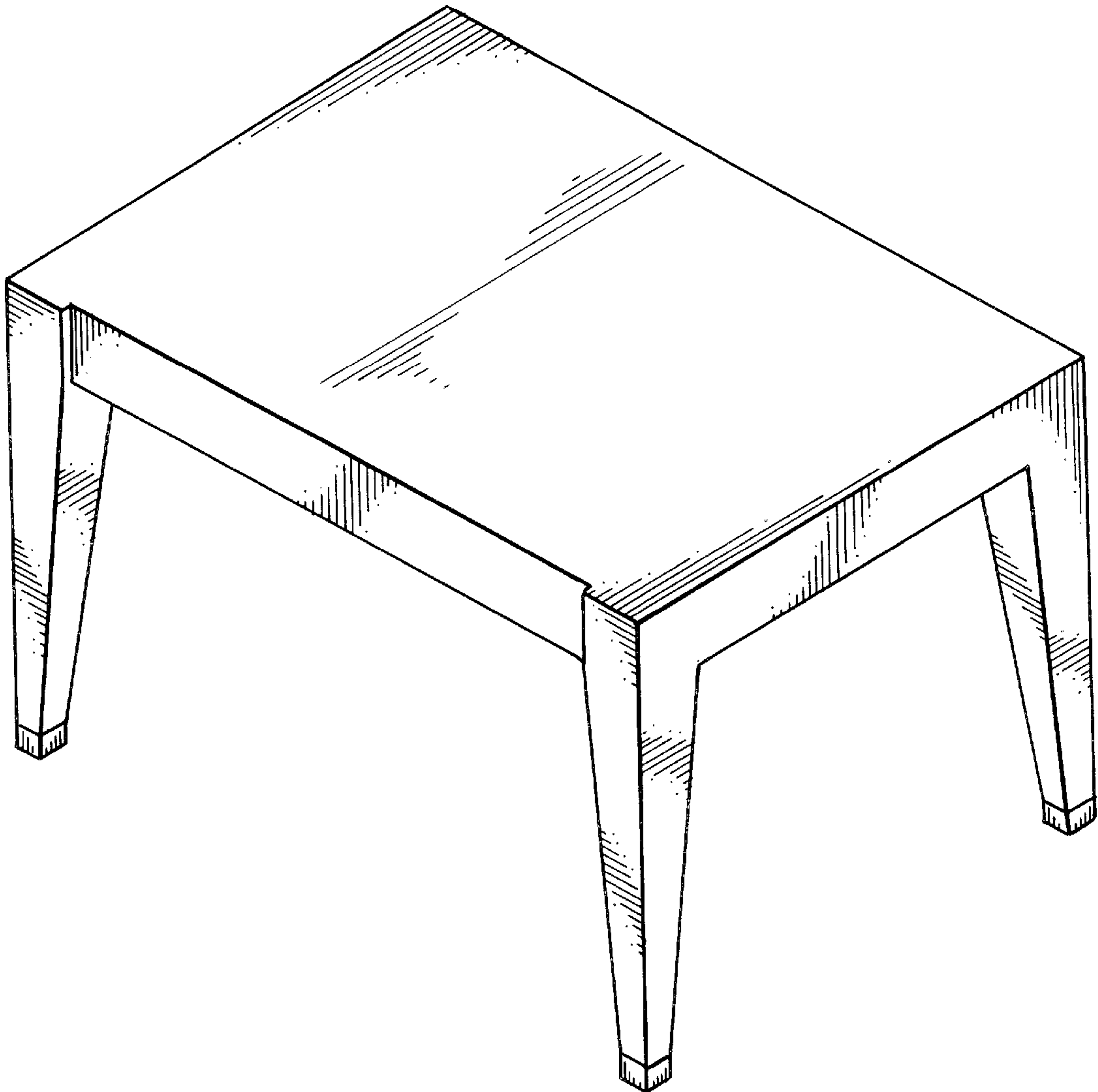


FIG. 1

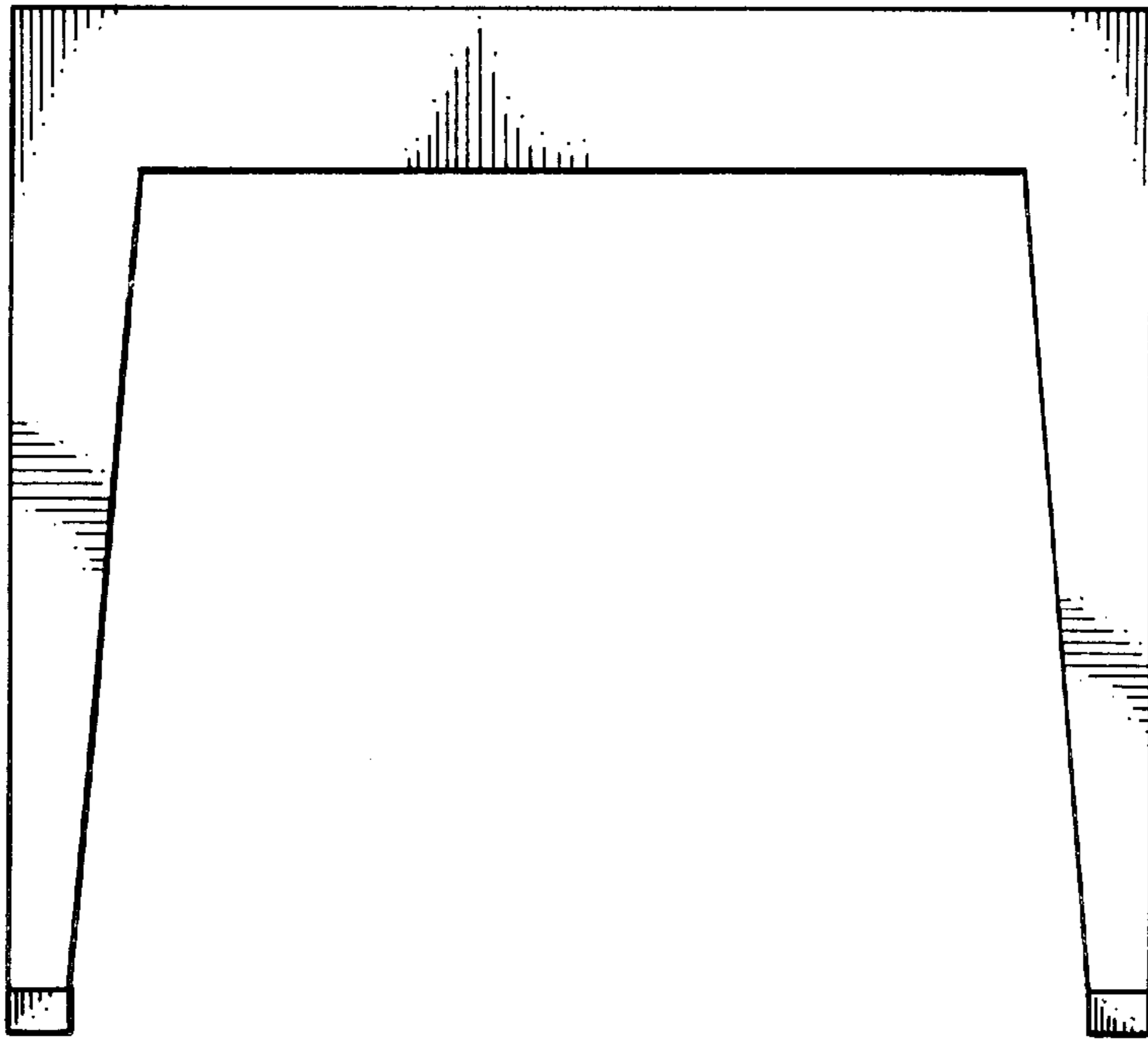


FIG. 2

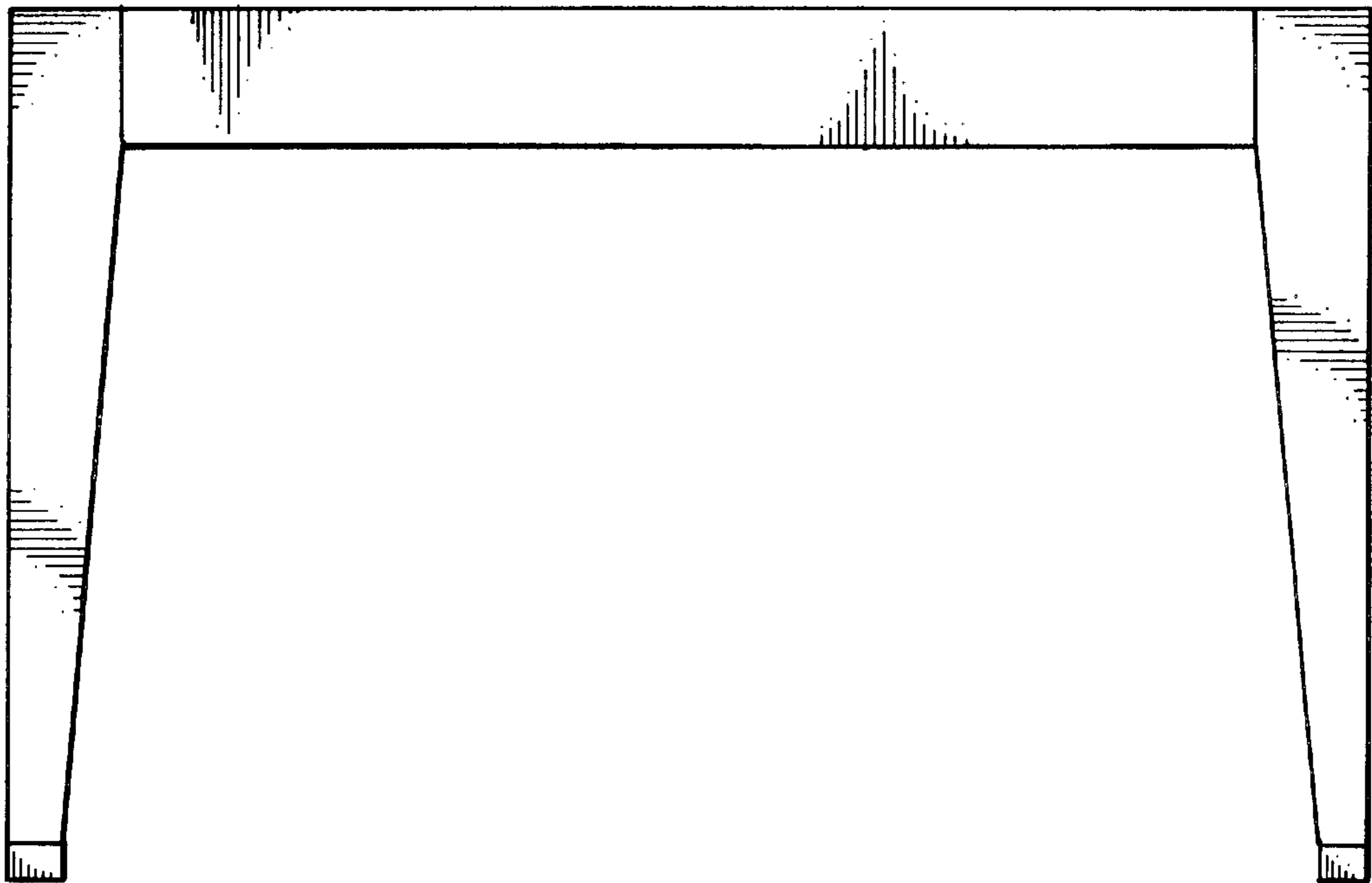


FIG. 3

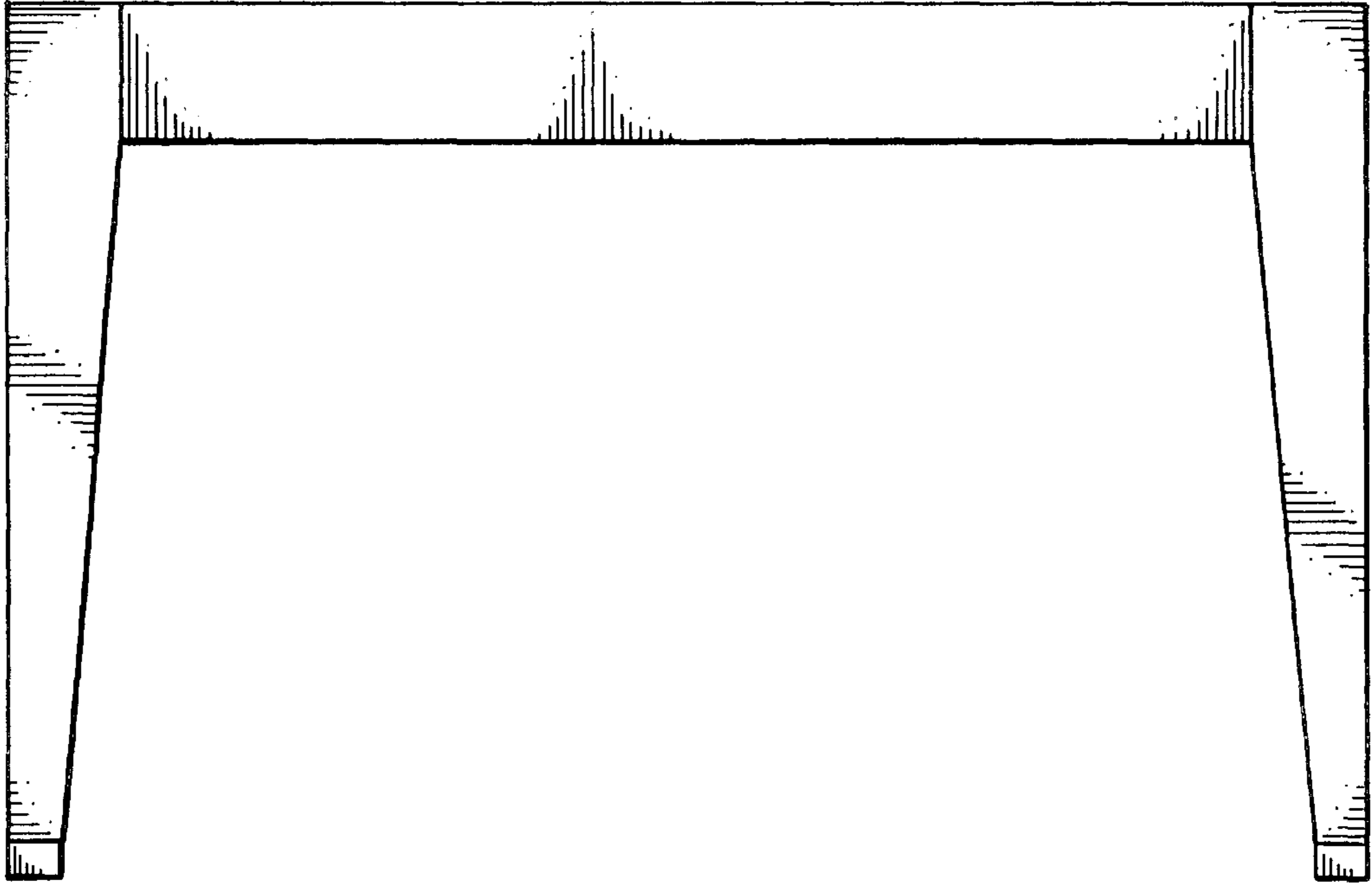
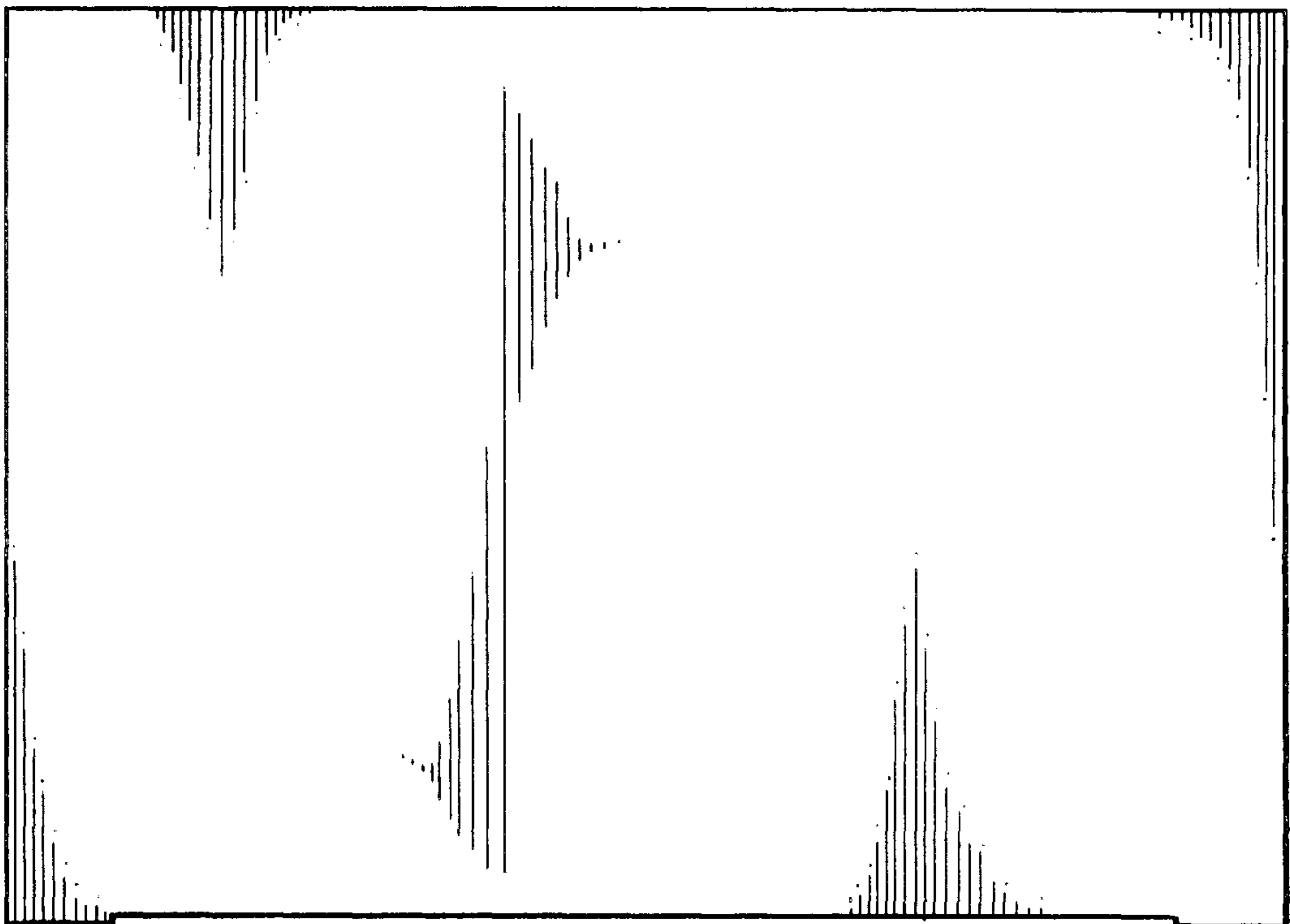


FIG. 4



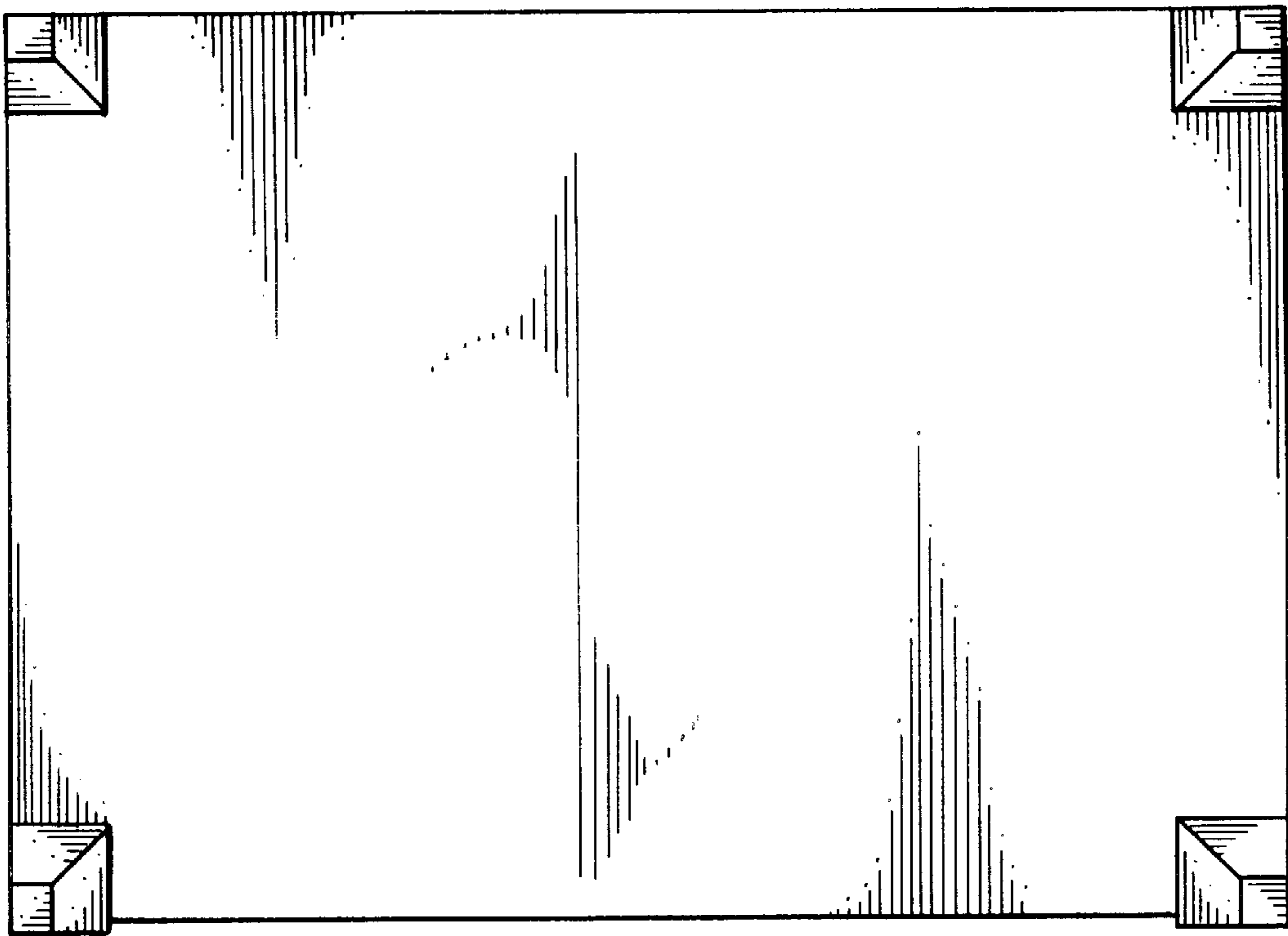


FIG. 5

FIG. 6

