



US00D407244S

United States Patent [19] Wohlford

[11] **Patent Number: Des. 407,244**

[45] **Date of Patent: **Mar. 30, 1999**

[54] **MINI STEREO SYSTEM STAND**

D. 381,842 8/1997 Herbst D6/479
2,522,748 9/1950 Claude 108/59 X

[75] Inventor: **James G. Wohlford**, Minneapolis, Minn.

Primary Examiner—James Gandy
Assistant Examiner—Linda Brooks
Attorney, Agent, or Firm—Kinney & Lange, P.A.

[73] Assignee: **Decade Industries, Inc.**, St. Paul, Minn.

[57] **CLAIM**

[**] Term: **14 Years**

The ornamental design for a mini stereo system stand, as shown and described.

[21] Appl. No.: **86,935**

DESCRIPTION

[22] Filed: **Apr. 23, 1998**

[51] **LOC (6) Cl.** **06-04**

[52] **U.S. Cl.** **D6/474**

[58] **Field of Search** D6/474-479, 407,
D6/626, 629, 630; 108/59, 60, 90-93; D14/224;
211/40, 126.1, 128.1, 133.1, 134, 135, 153;
312/223.1; 248/158

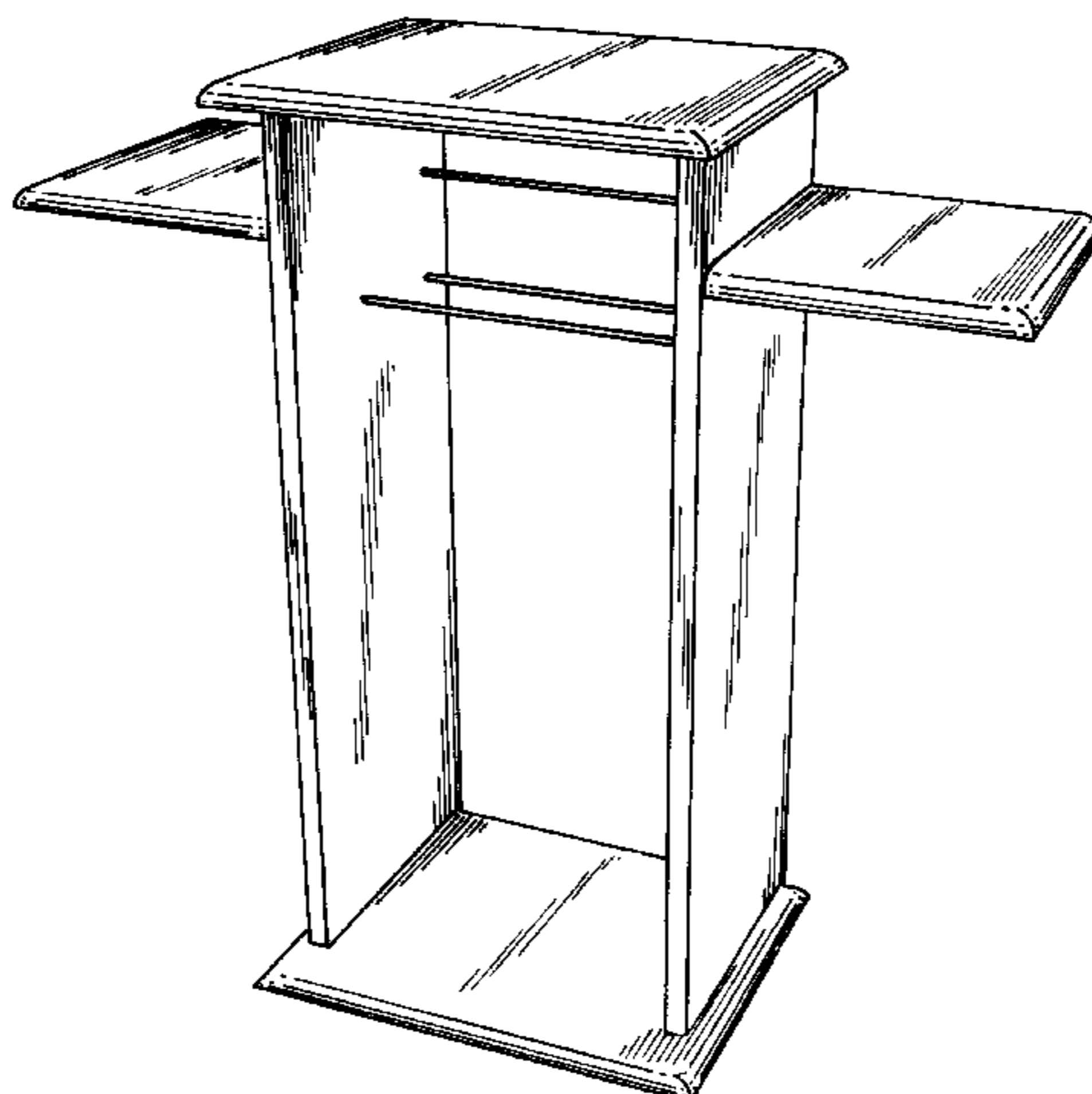
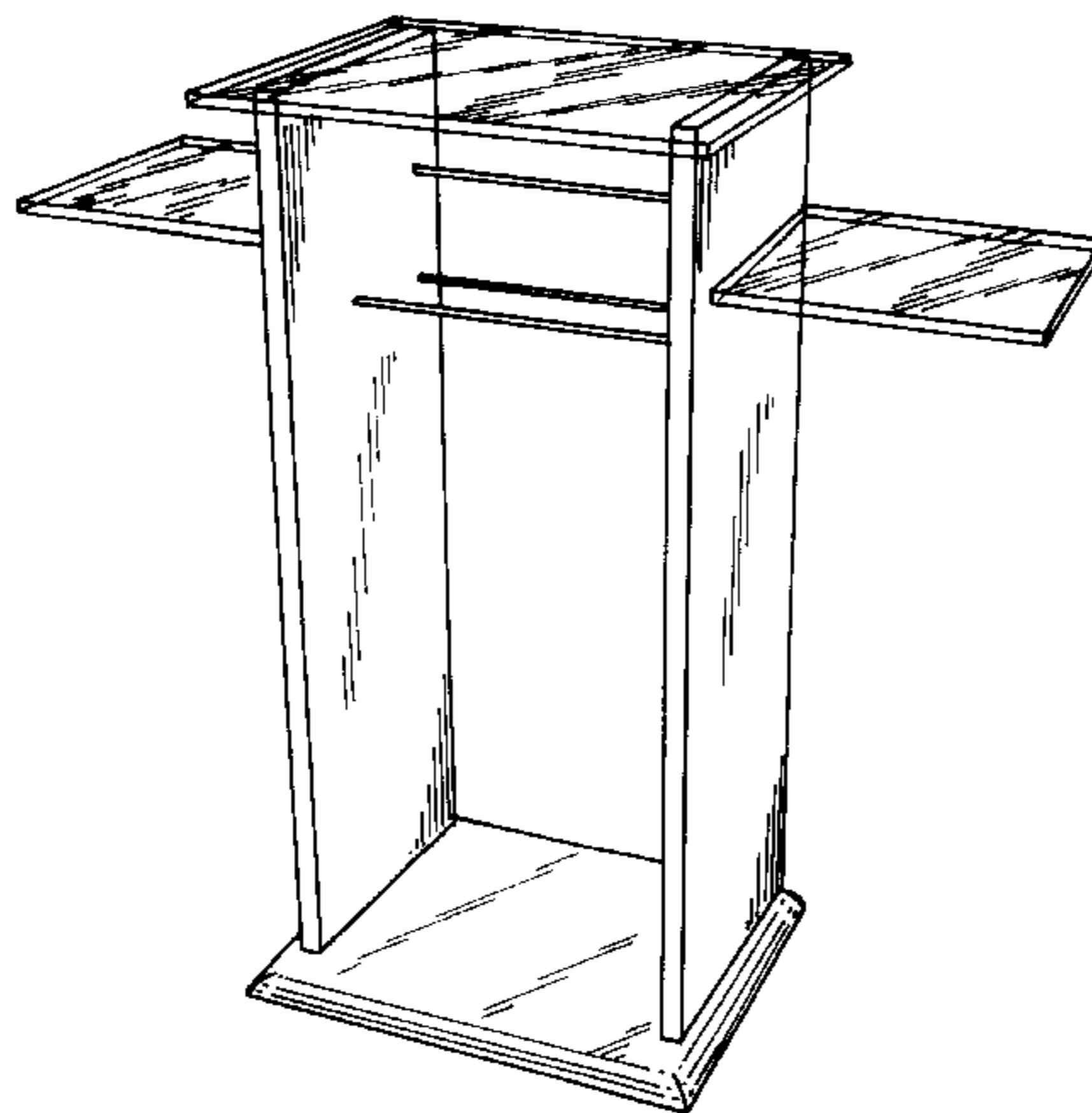
FIG. 1 is a perspective view of a first embodiment;
FIG. 2 is a top plan view of a first embodiment;
FIG. 3 is a front elevational view of a first embodiment;
FIG. 4 is a left side view of a first embodiment;
FIG. 5 is a right side view of a first embodiment;
FIG. 6 is a rear elevational view of a first embodiment;
FIG. 7 is a bottom plan view of a first embodiment;
FIG. 8 is a perspective view of a second embodiment;
FIG. 9 is a top plan view of a second embodiment;
FIG. 10 is a front elevational view of a second embodiment;
FIG. 11 is a left side view of a second embodiment;
FIG. 12 is a right side view of a second embodiment;
FIG. 13 is a rear elevational view of a second embodiment;
and,
FIG. 14 is a bottom plan view of a second embodiment.

[56] **References Cited**

U.S. PATENT DOCUMENTS

D. 133,436	8/1942	Gunder	D6/474
D. 277,439	2/1985	Leath	D6/474
D. 294,787	3/1988	Berry, Jr.	D6/474
D. 318,280	7/1991	Sumrell et al.	D6/477 X
D. 326,377	5/1992	Nagel	D6/477 X
D. 332,359	1/1993	Ossip	D6/474

1 Claim, 6 Drawing Sheets



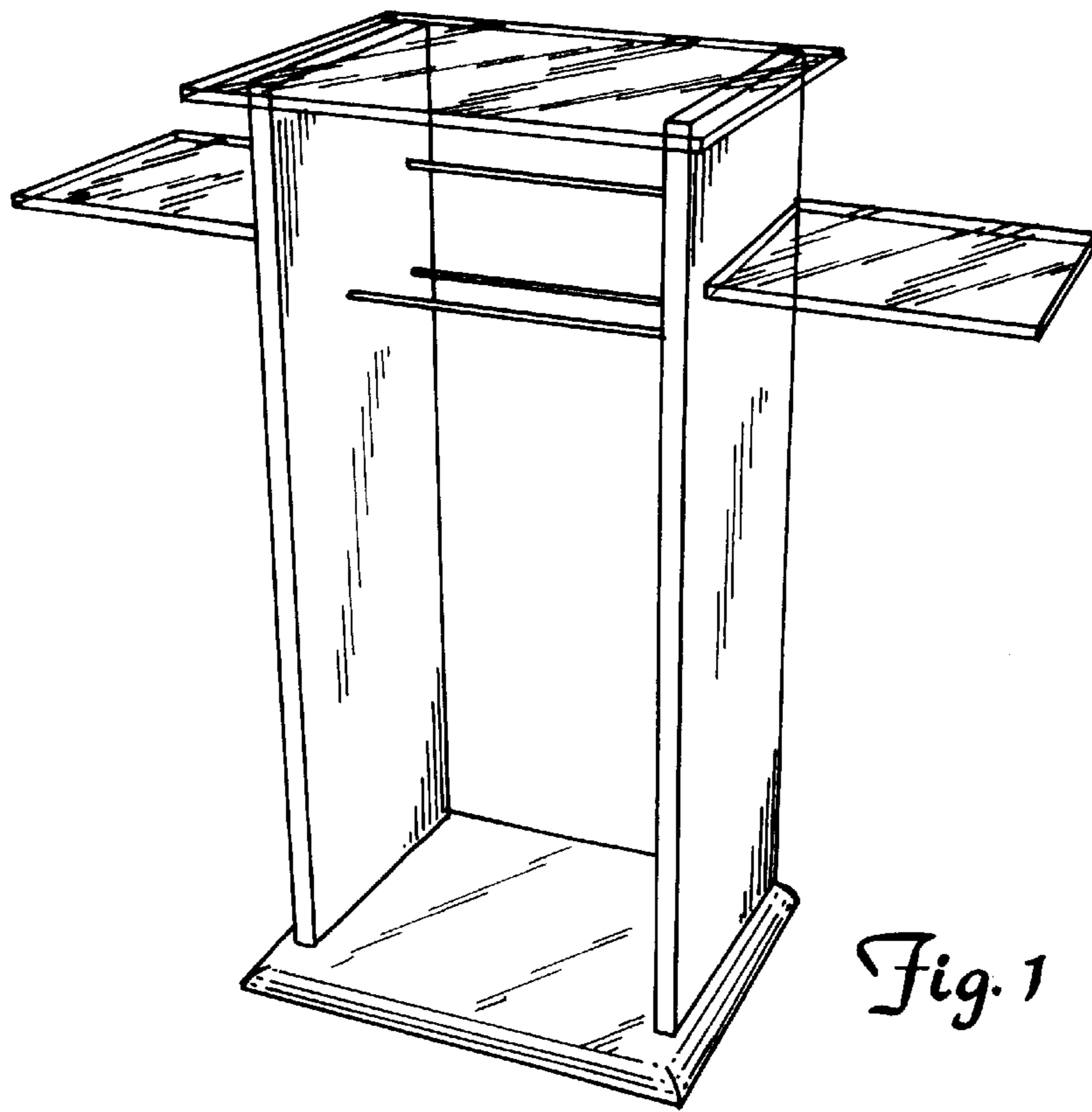


Fig. 1

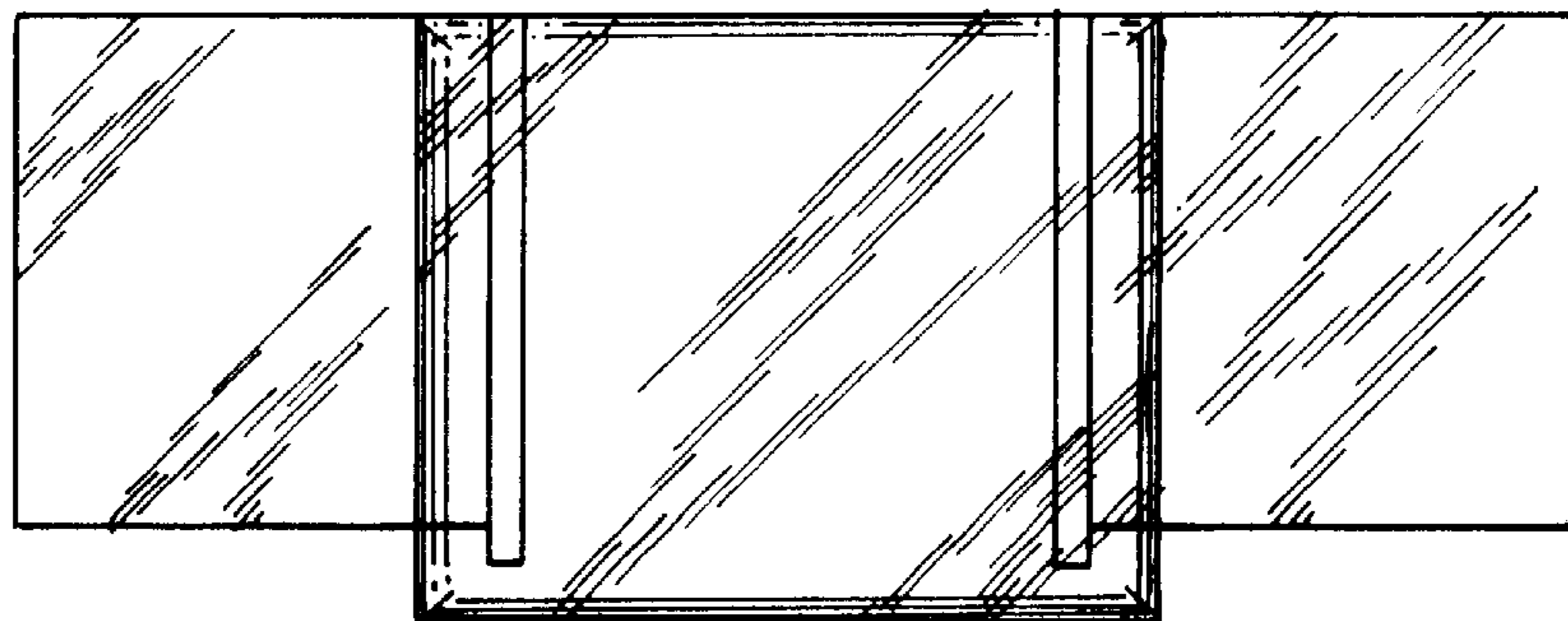


Fig. 2

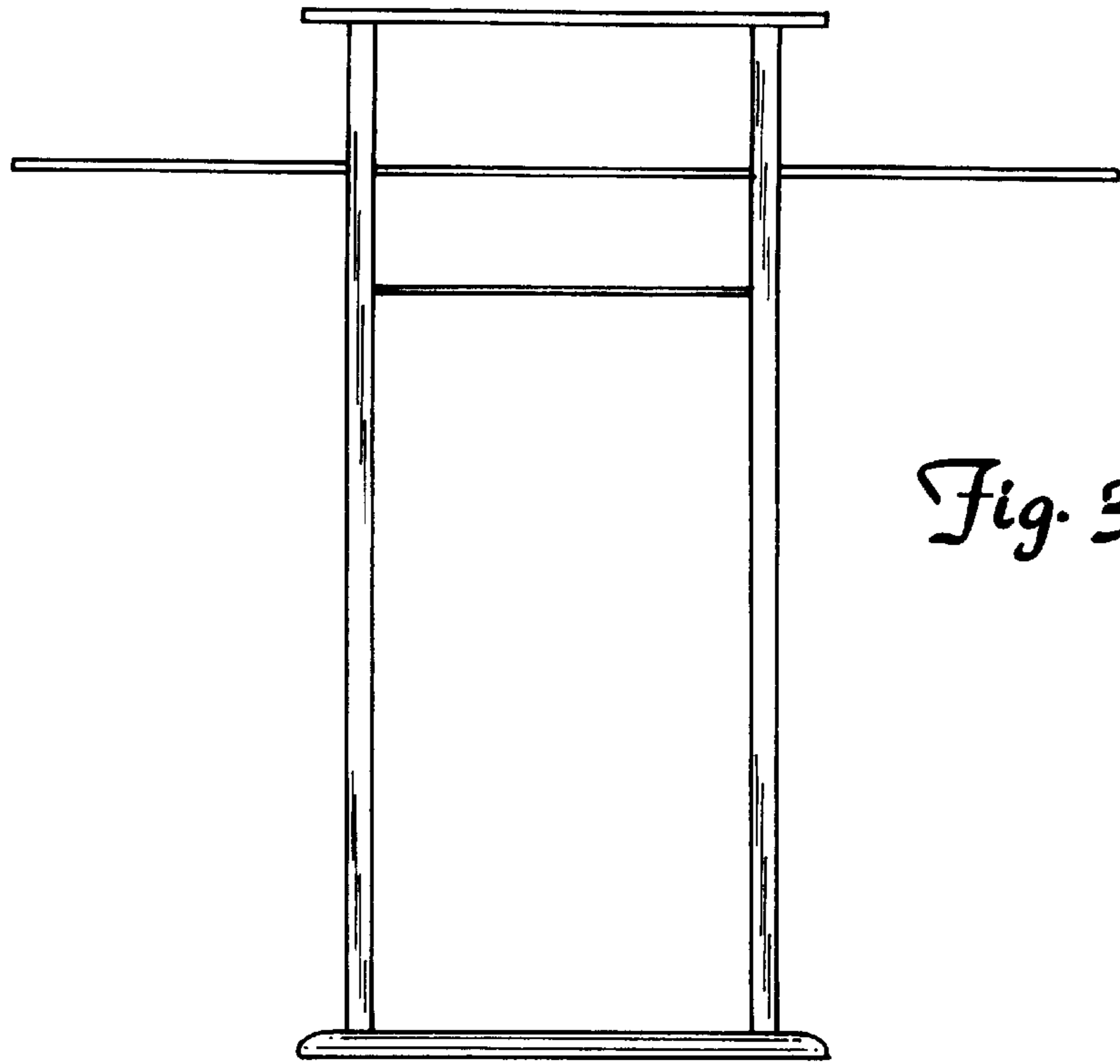


Fig. 3

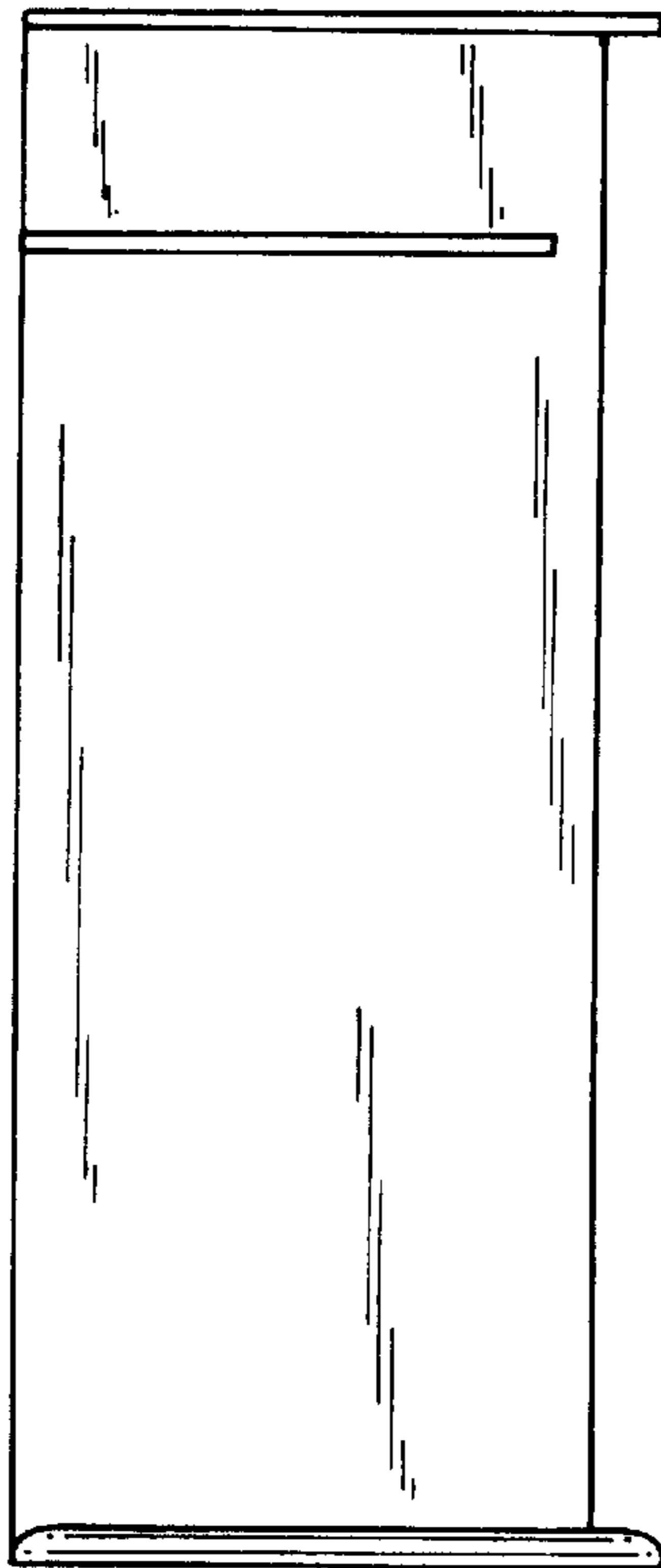


Fig. 4

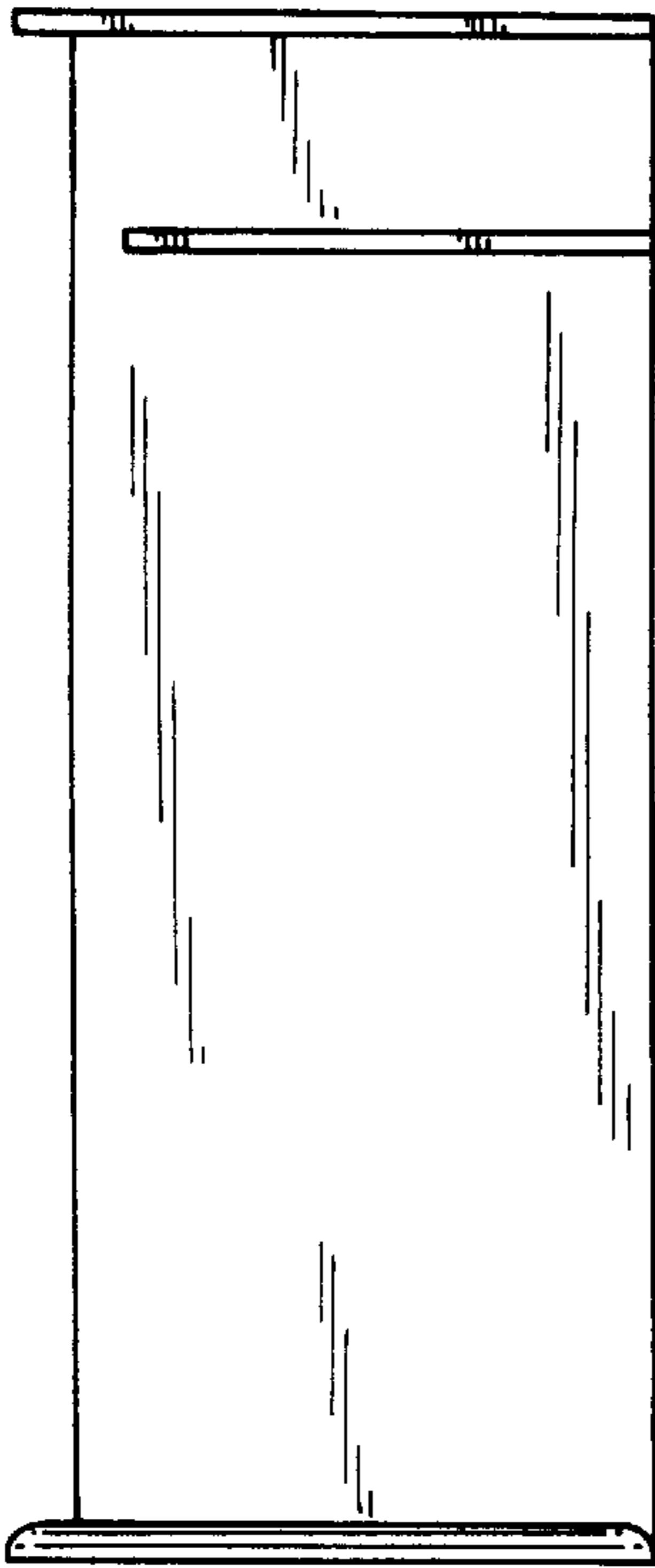


Fig. 5

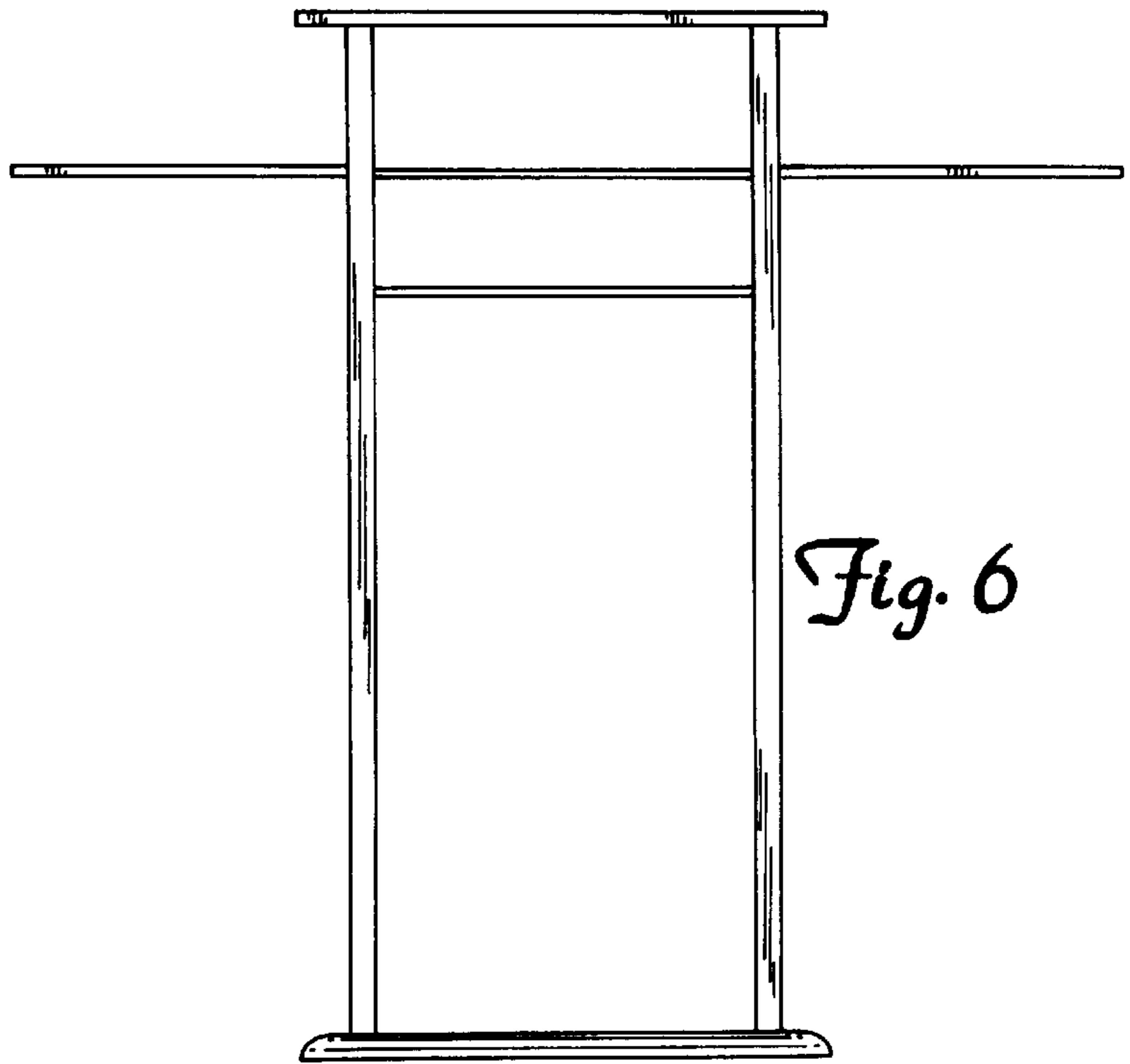


Fig. 6

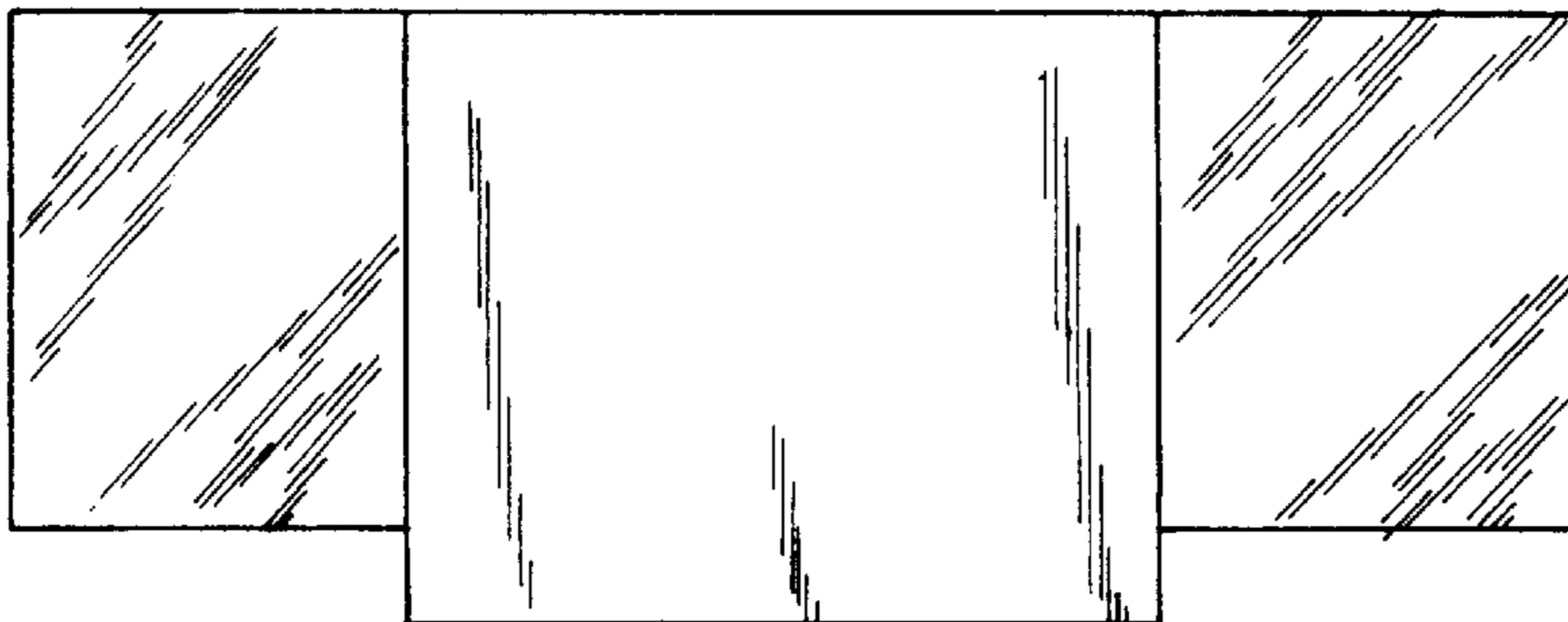


Fig. 7

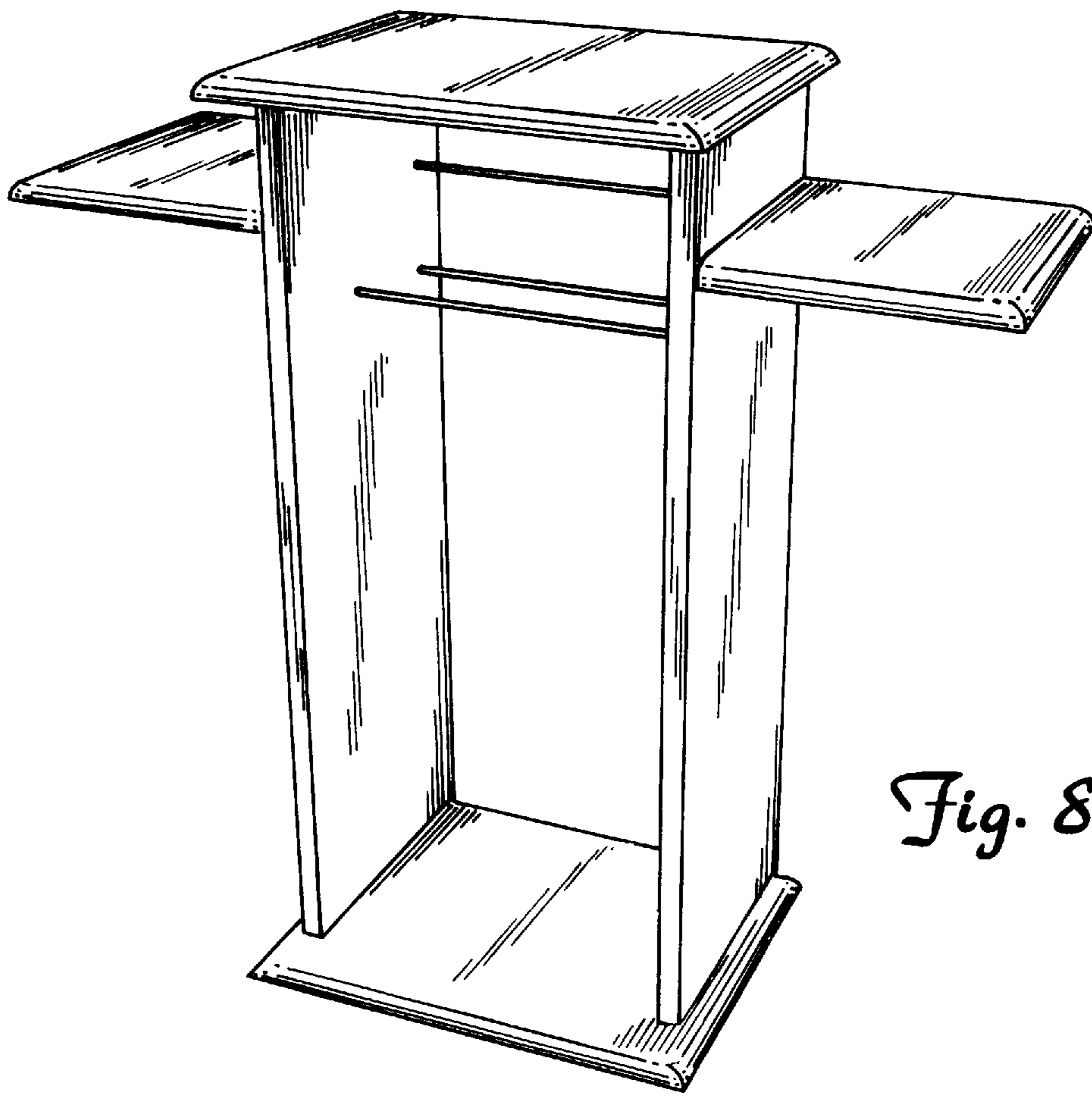


Fig. 8

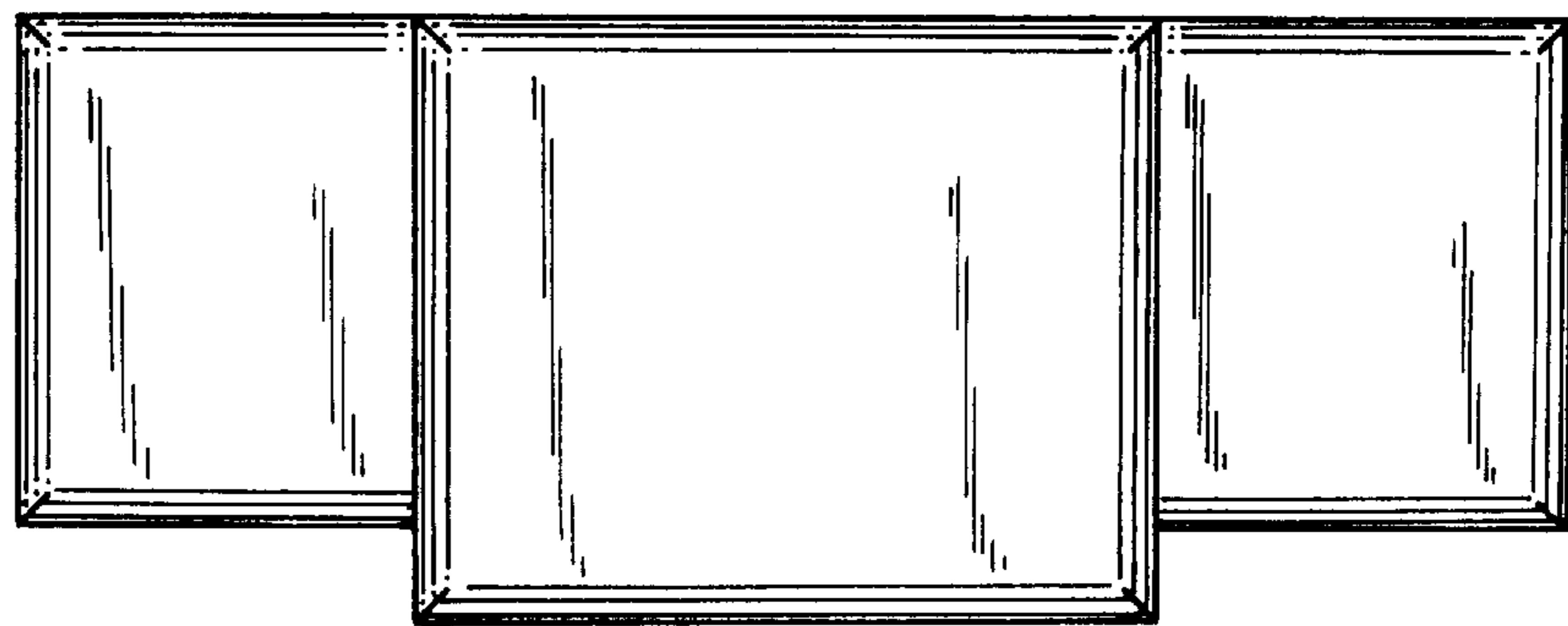


Fig. 9

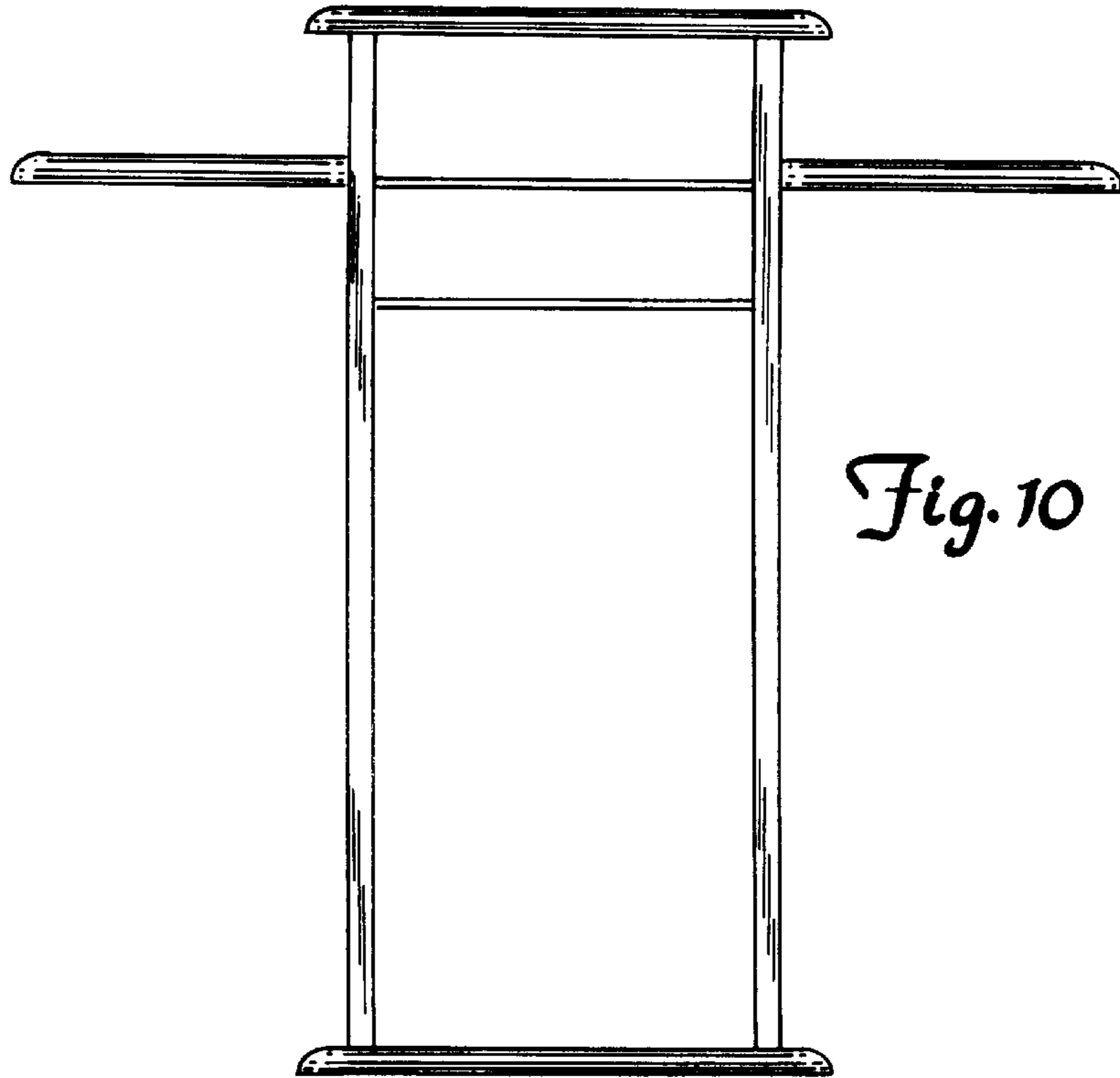


Fig. 10

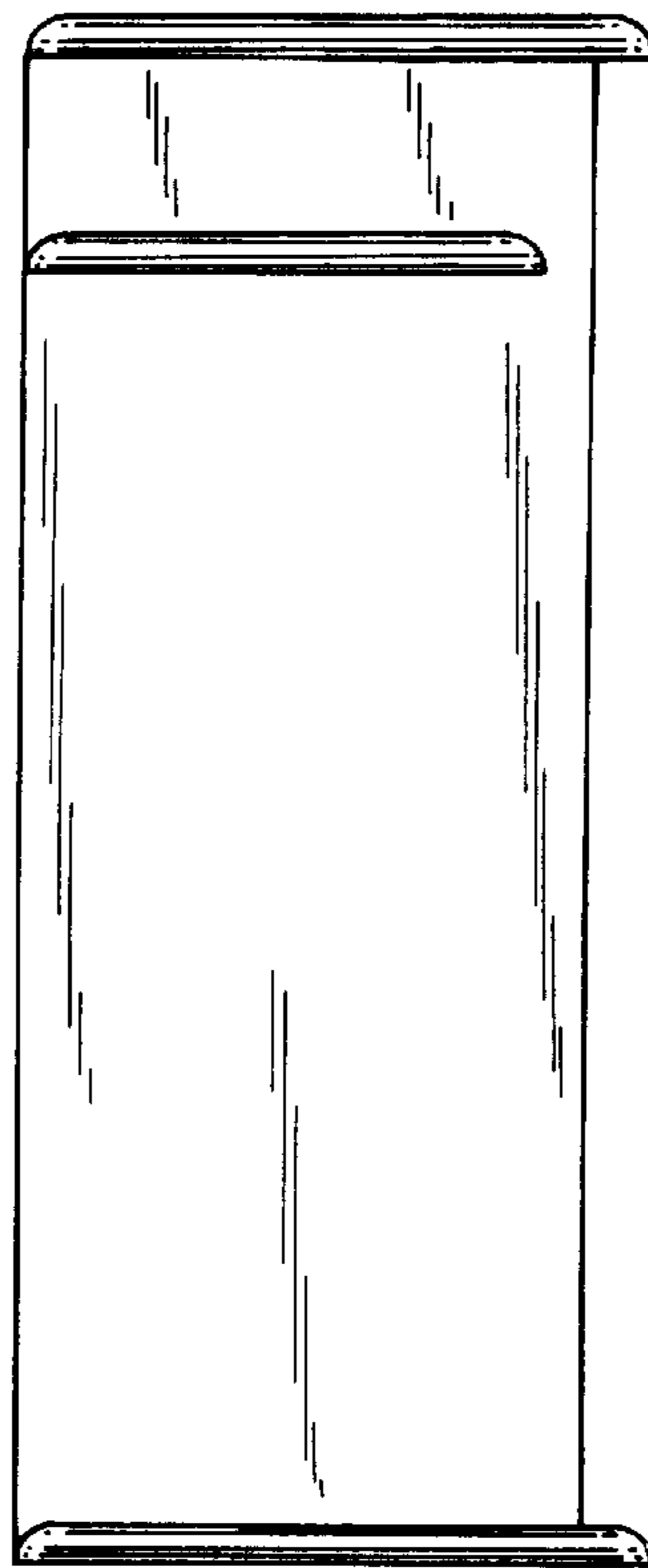


Fig. 11

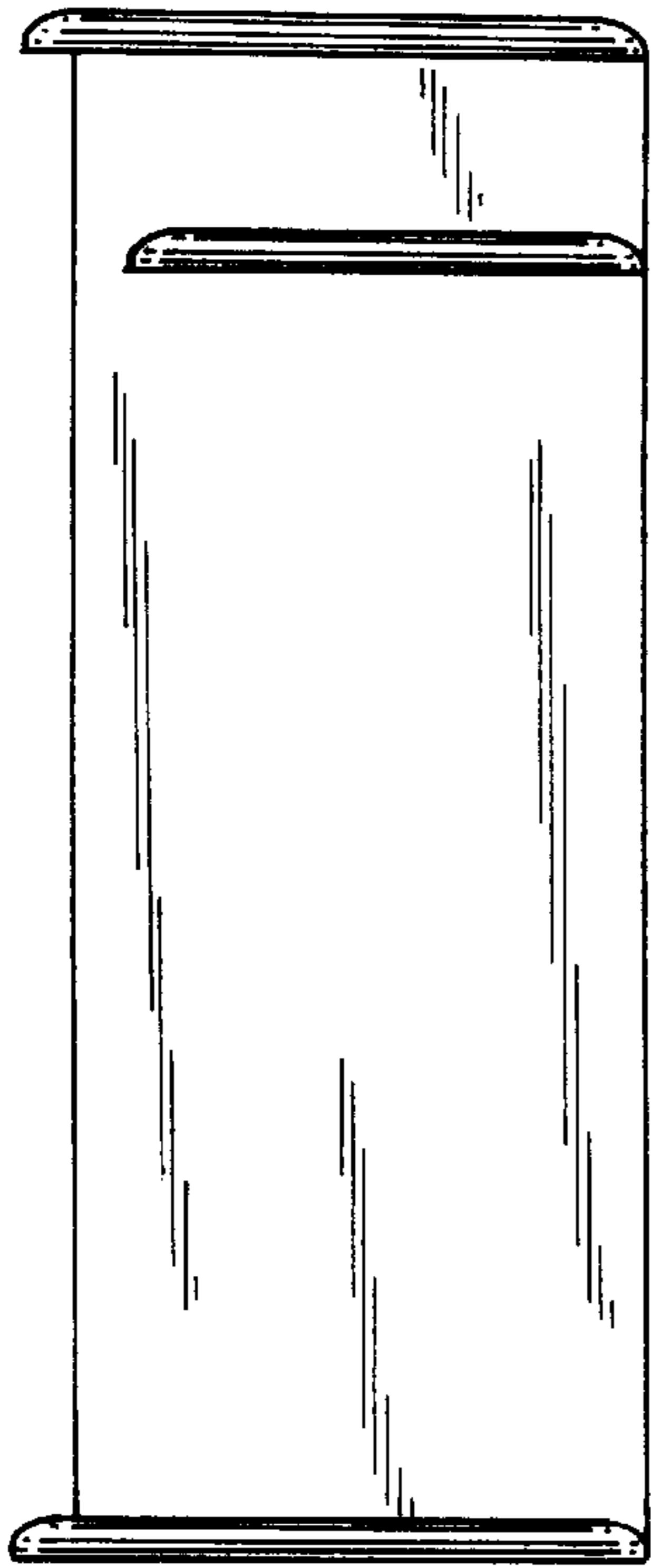


Fig. 12

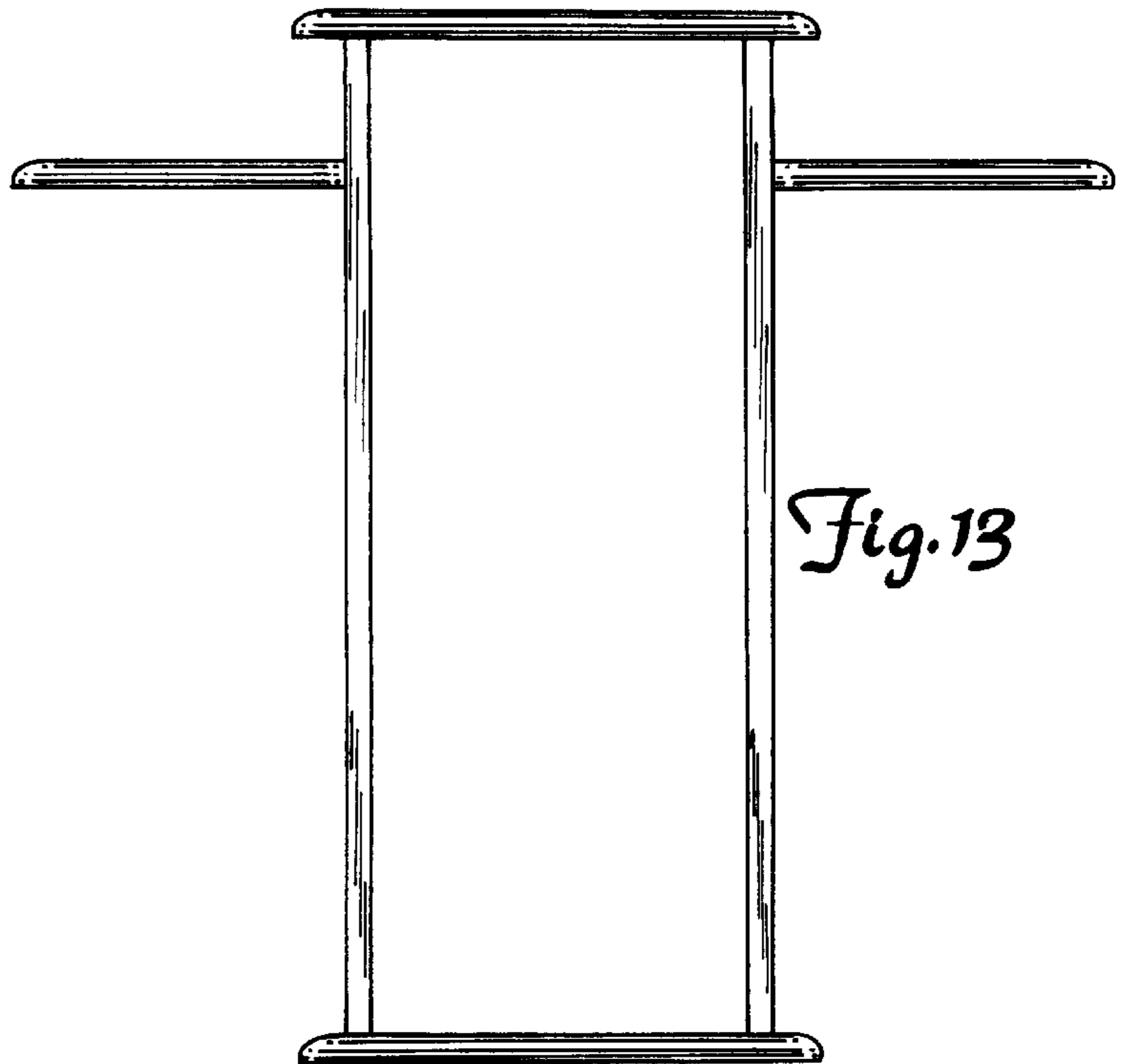


Fig. 13

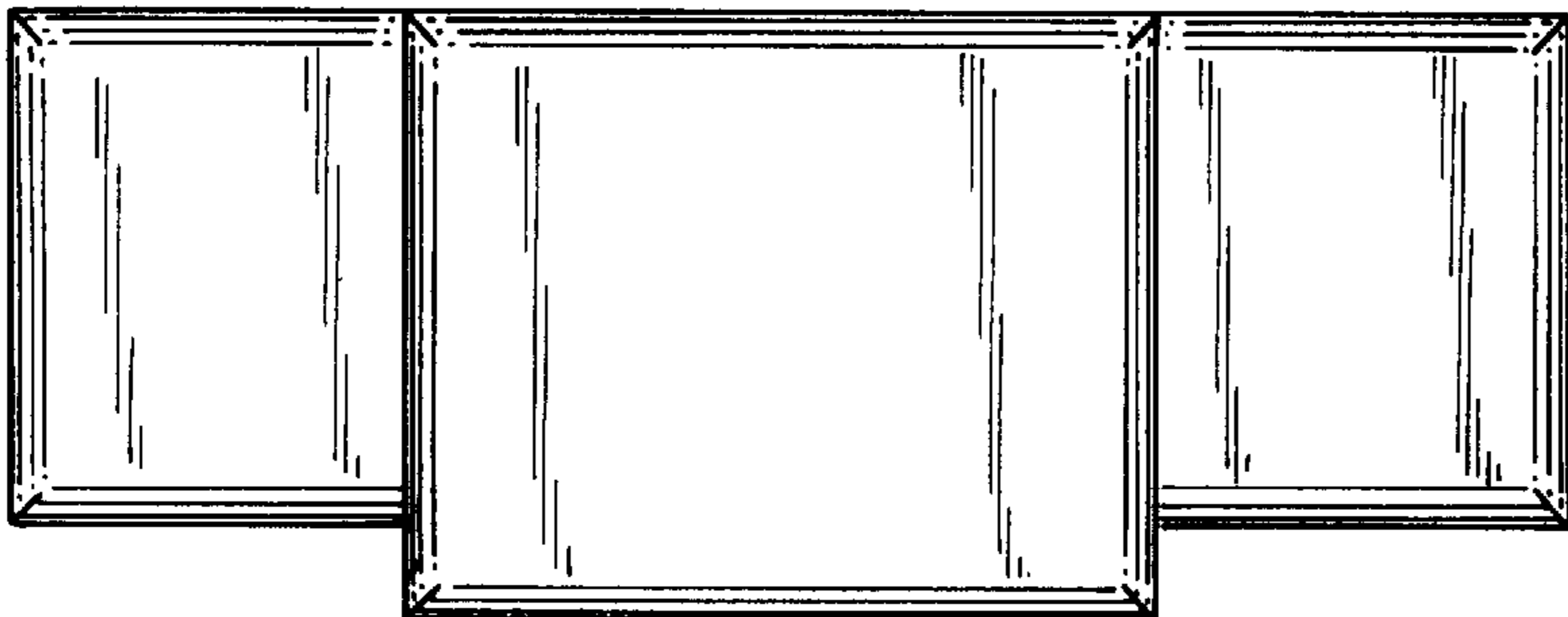


Fig. 14