



US00D407243S

# United States Patent [19] Thoesen

[11] **Patent Number: Des. 407,243**

[45] **Date of Patent: \*\*Mar. 30, 1999**

[54] **CAR CARE ORGANIZER TRAY**

D. 343,106 1/1994 Eklind et al. .... D8/71  
992,396 5/1911 Weber ..... 211/69 X

[76] Inventor: **Joseph M. Thoesen**, 8540 Hawthorne Dr., Munster, Ind. 46321

*Primary Examiner*—James Gandy  
*Assistant Examiner*—Stacia Sinuik  
*Attorney, Agent, or Firm*—Welsh & Katz, Ltd.; Thomas W. Tolphin

[\*\*] Term: **14 Years**

[21] Appl. No.: **90,863**

### [57] CLAIM

[22] Filed: **Jul. 17, 1998**

The ornamental design for a car care organizer tray, as shown and described.

### Related U.S. Application Data

### DESCRIPTION

[62] Division of Ser. No. 60,281, Sep. 24, 1996.

[51] **LOC (6) Cl.** ..... **06-06**

[52] **U.S. Cl.** ..... **D6/469; D12/425**

[58] **Field of Search** ..... D12/425, 415;  
D8/71; D6/449, 416, 396, 466-469, 475,  
476; 211/70.6, 69, 60.1, 106, 87, 13; D19/75,  
85

FIG. 1 is a perspective view of a car care organizer tray, showing my new design;  
FIG. 2 is a top view thereof, the bottom is understood to be solid, flat and unornamented;  
FIG. 3 is a left side view thereof, the right side being a mirror image thereof;  
FIG. 4 is a front view thereof, the back being a mirror image thereof;  
FIG. 5 is a perspective view of a second embodiment of a car care organizer tray, showing my new design;  
FIG. 6 is a top view thereof, it being understood that the bottom is solid, flat and unornamented;  
FIG. 7 is a left side view thereof, the right side being mirror image thereof; and,  
FIG. 8 is a front view thereof, the rear of the tray is flat and unornamented.

### [56] References Cited

#### U.S. PATENT DOCUMENTS

D. 169,077	3/1953	Mains, Jr.	.....	D6/469
D. 205,745	9/1966	Nannfeldt	.....	D6/469
D. 214,969	8/1969	Lebedeff	.....	D6/469
D. 294,209	2/1988	Havelka	.....	D6/469
D. 323,245	1/1992	Hobson	.....	D6/467 X
D. 336,181	6/1993	Muniz	.....	D6/469
D. 336,802	6/1993	Eidsmoe et al.	.....	D8/71 X

**1 Claim, 2 Drawing Sheets**

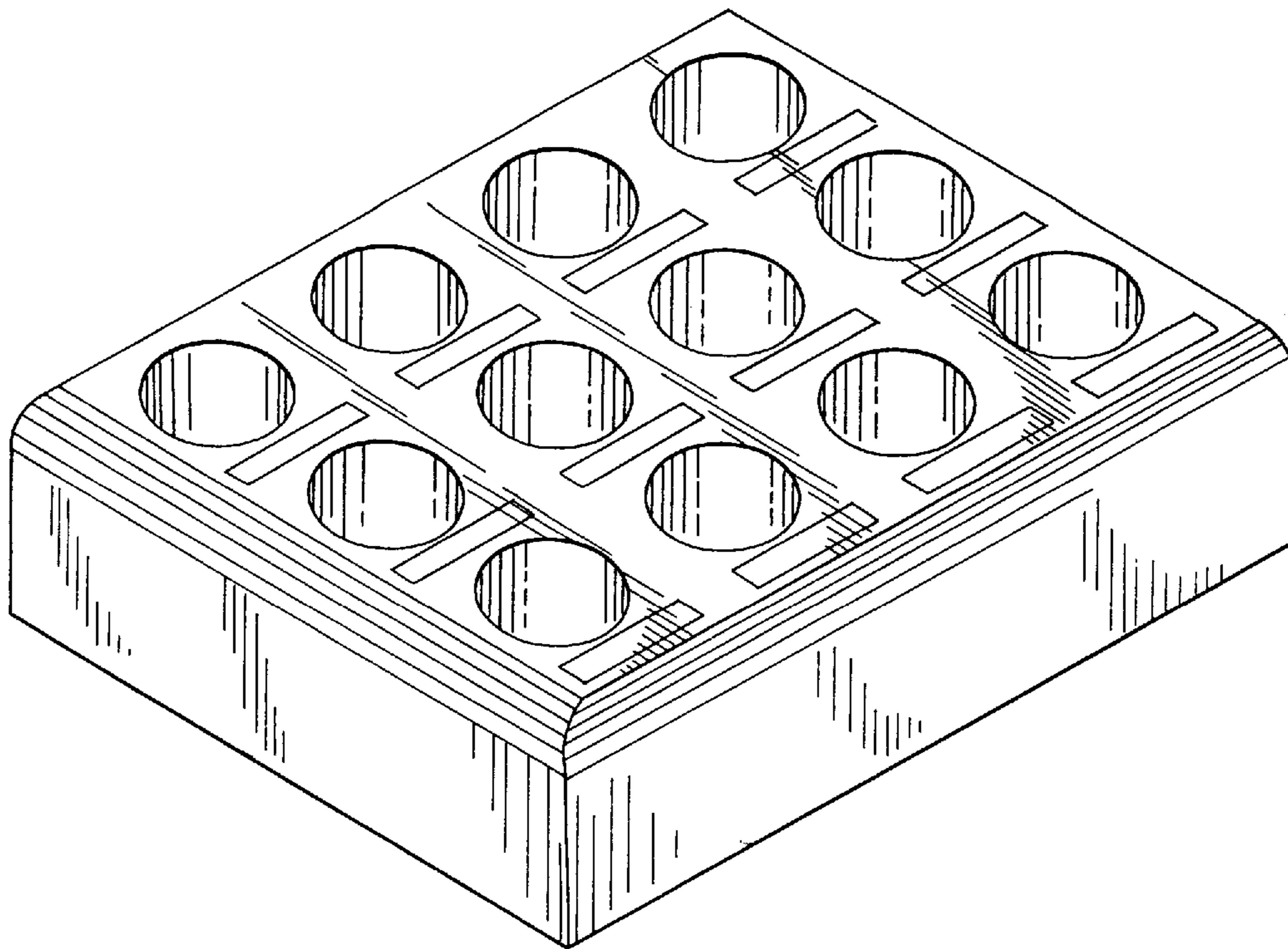


FIG. 1

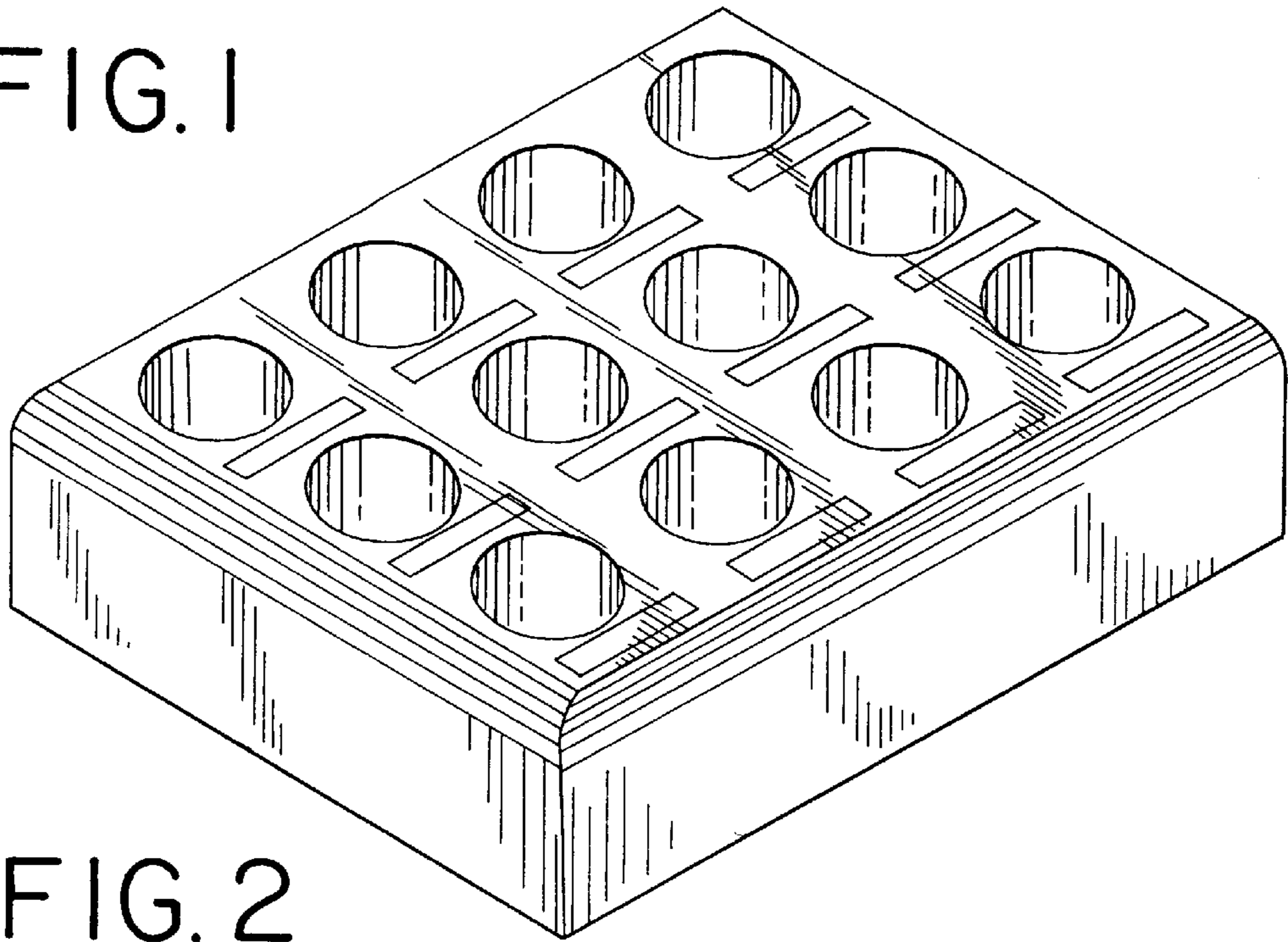


FIG. 2

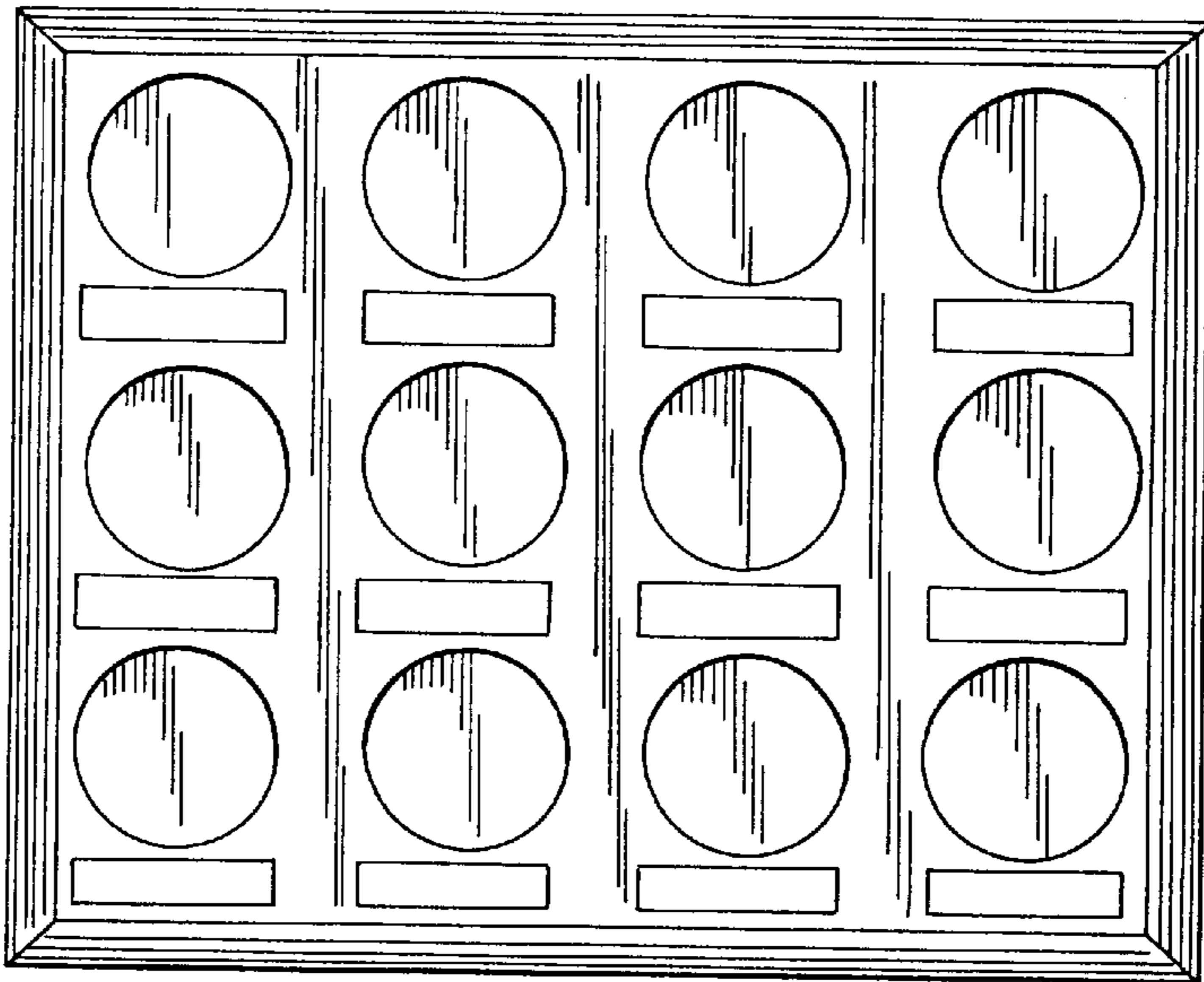


FIG. 3

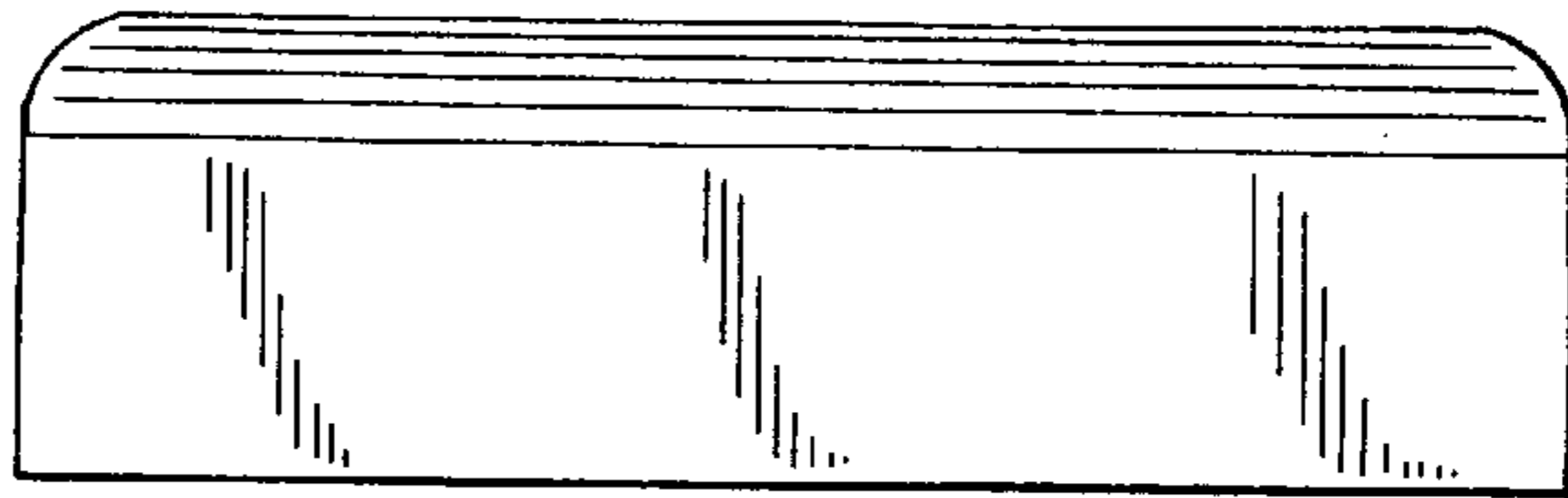


FIG. 4

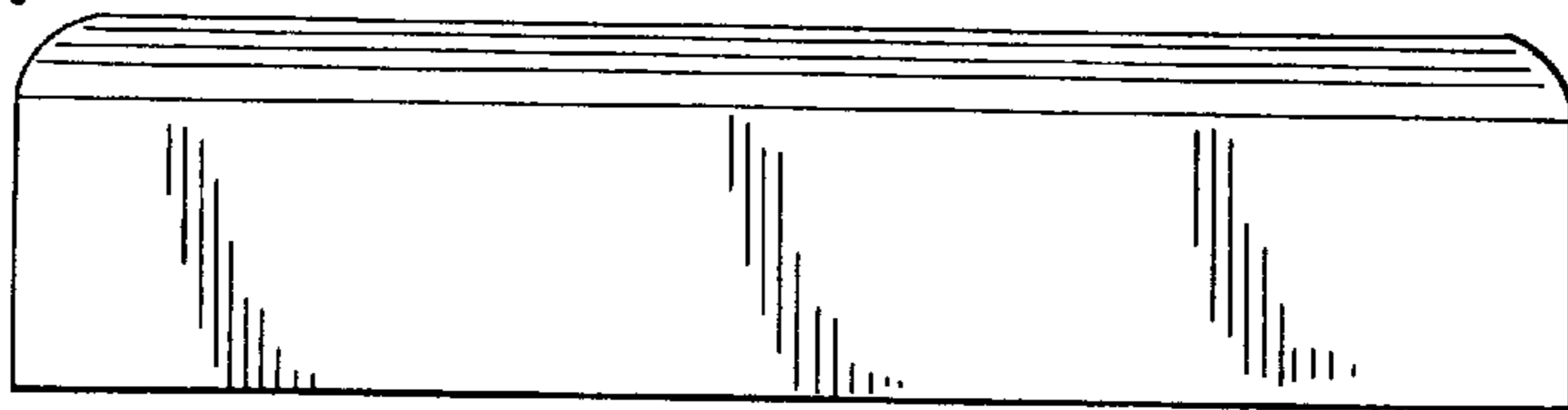


FIG. 5

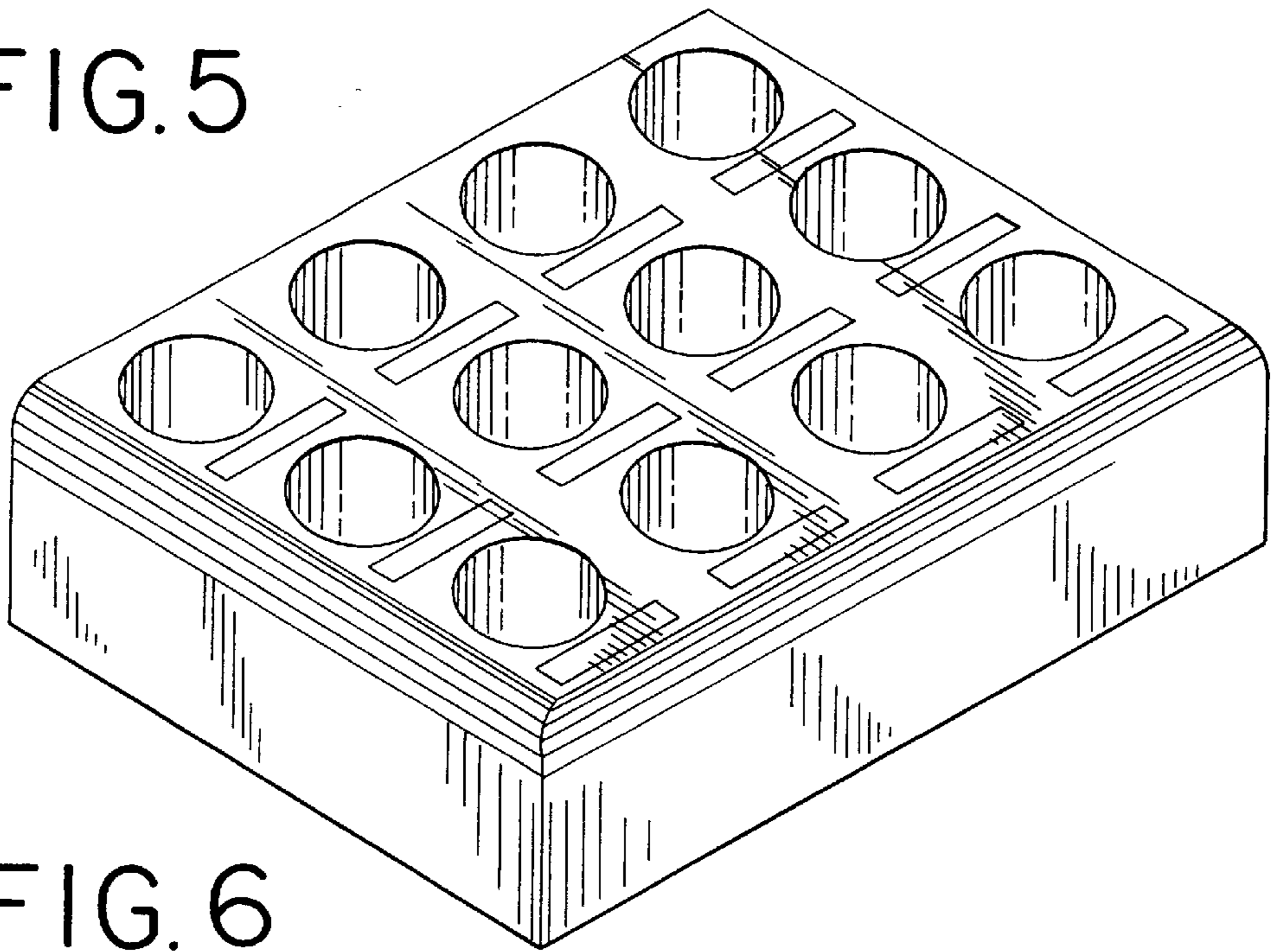


FIG. 6

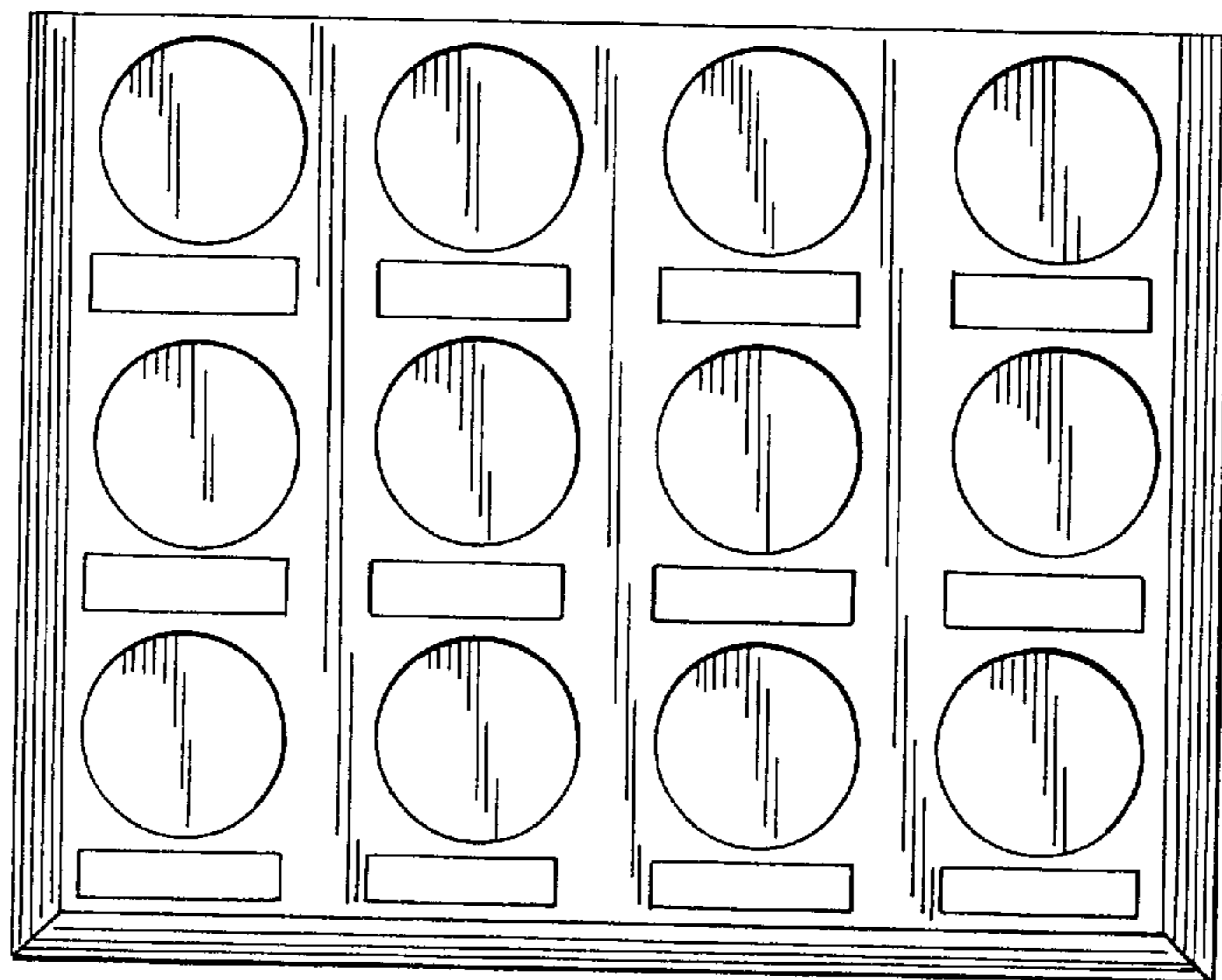


FIG. 7

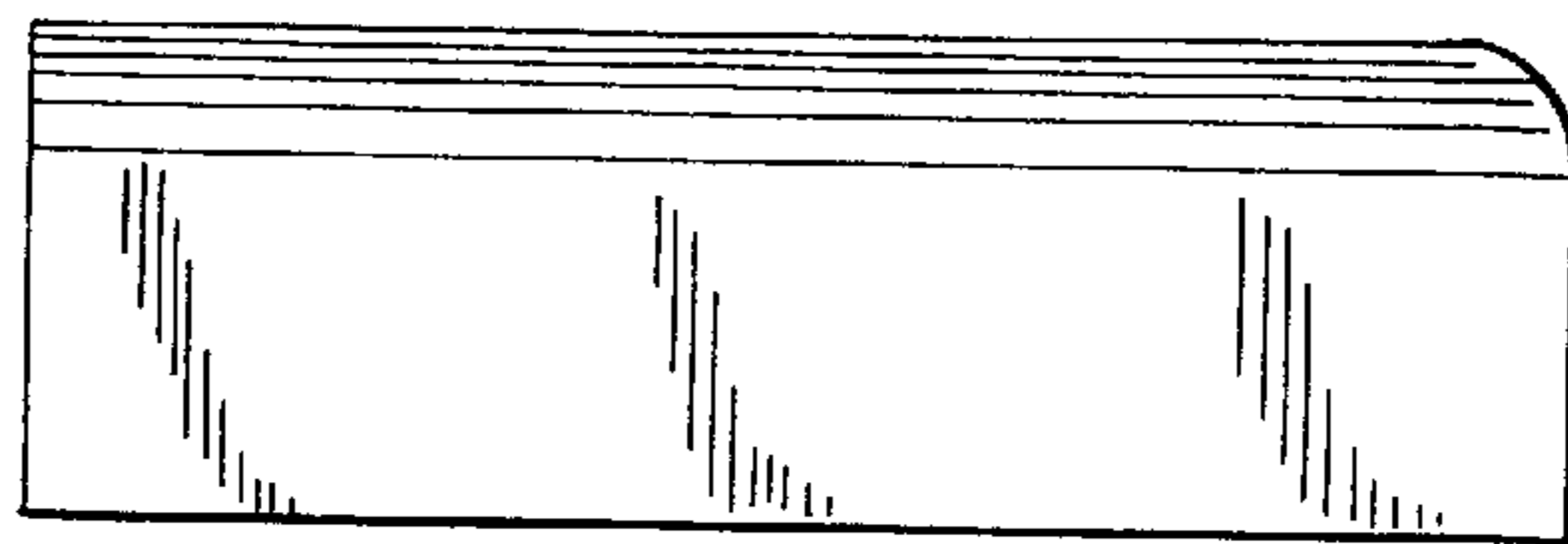


FIG. 8

