



US00D407239S

United States Patent [19]
Zaidman

[11] **Patent Number: Des. 407,239**

[45] **Date of Patent: **Mar. 30, 1999**

[54] **DRESSER**

[75] Inventor: **Paul Zaidman**, Winnipeg, Canada

[73] Assignee: **Palliser Furniture, Ltd.**, Winnipeg, Canada

[**] Term: **14 Years**

[21] Appl. No.: **68,933**

[22] Filed: **Feb. 28, 1997**

[51] **LOC (6) Cl.** **06-04**

[52] **U.S. Cl.** **D6/446**

[58] **Field of Search** D6/432-448; 312/204,
312/114, 257

Ethan Allen; item #4 double dresser # 15-5303 center left on page, Jun. 1994.

“Contessa” by Mt. Airy Furniture Co., p. 29; double dresser on page, Jul. 27, 1969.

Primary Examiner—Carmen H. Vales-Lado
Attorney, Agent, or Firm—Pollock, Vande Sande & Amernick

[57] **CLAIM**

The ornamental design for a dresser, as shown and described.

DESCRIPTION

FIG. 1 is a top plan view of a dresser showing my new design;

FIG. 2 is a front elevational view thereof;

FIG. 3 is a left side elevational view as seen when in use, the right side being a mirror image thereof; and,

FIG. 4 is a front perspective view thereof.

[56] **References Cited**

U.S. PATENT DOCUMENTS

D. 133,612 9/1942 Buckner D6/441

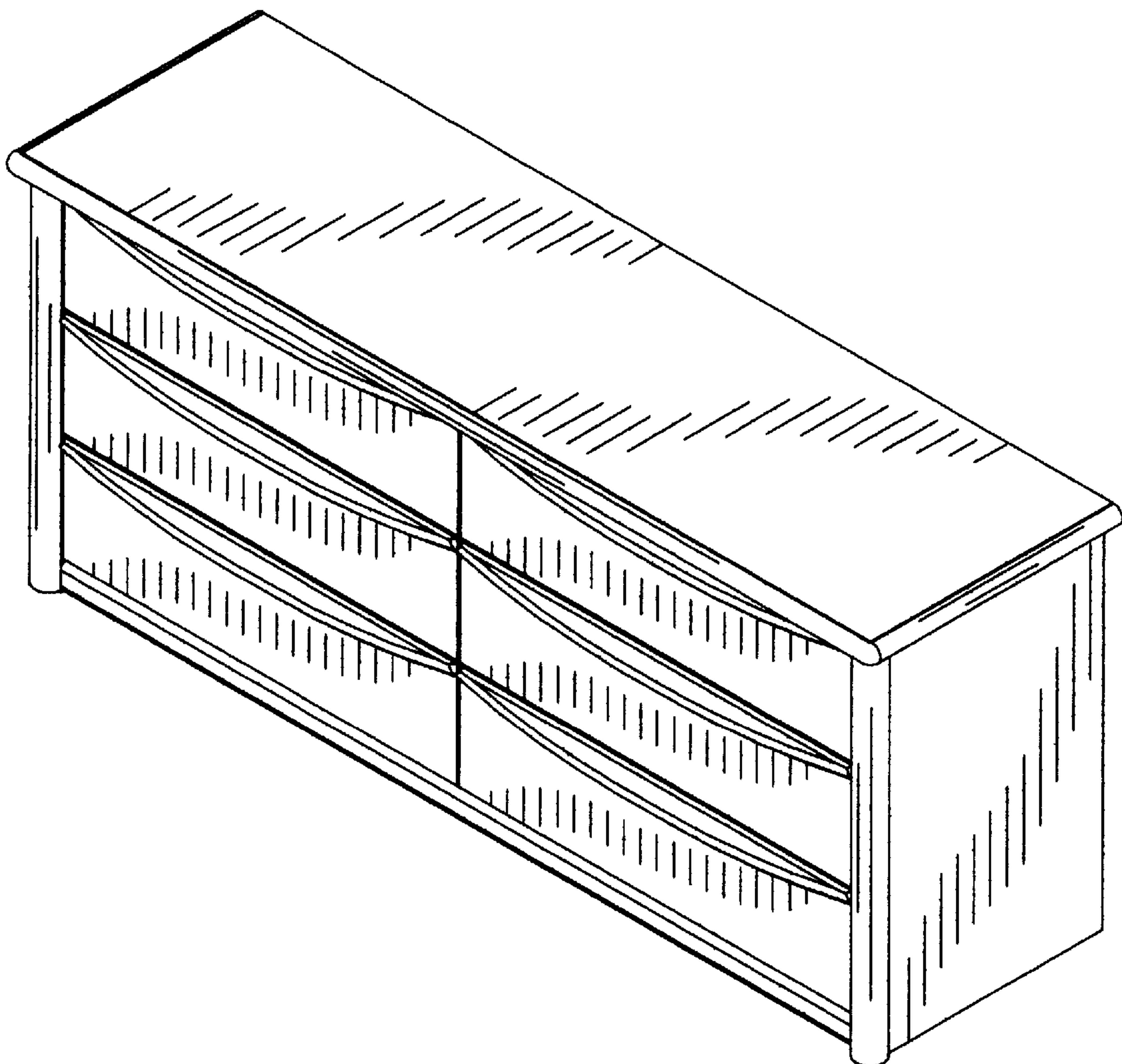
D. 385,430 10/1997 Keller D6/432

OTHER PUBLICATIONS

“313:Eastciff” by Burlington; dresser No. 313-130 on page, Jun. 1984.

Marlo: The Main Event, p. 7; the double dresser on page, Jun. 27, 1992.

1 Claim, 2 Drawing Sheets



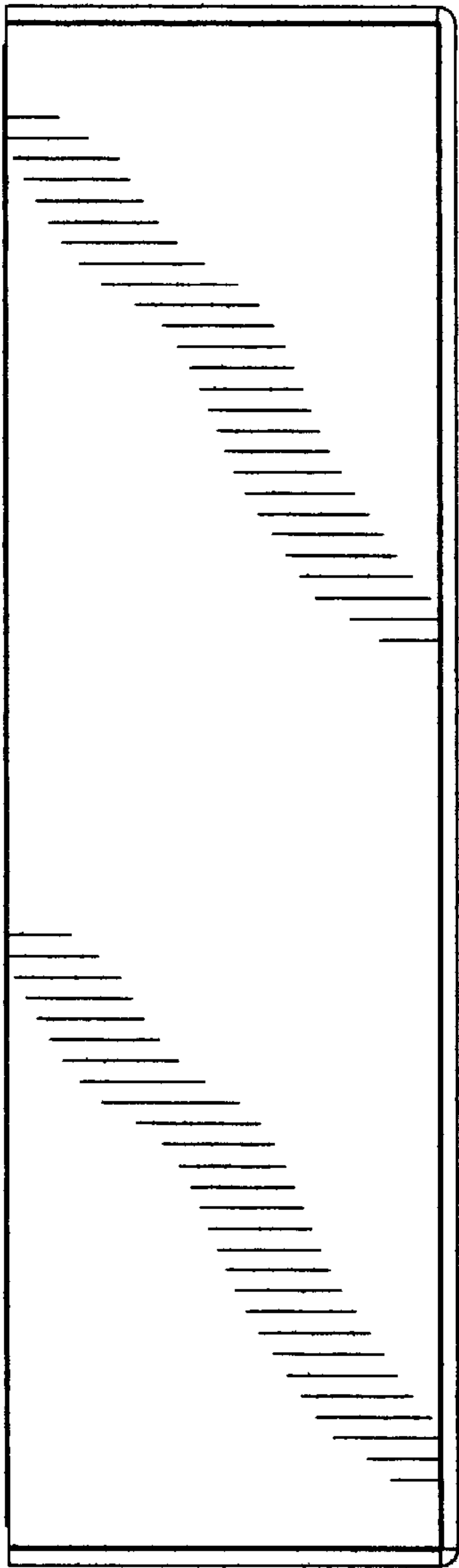


FIG. 1

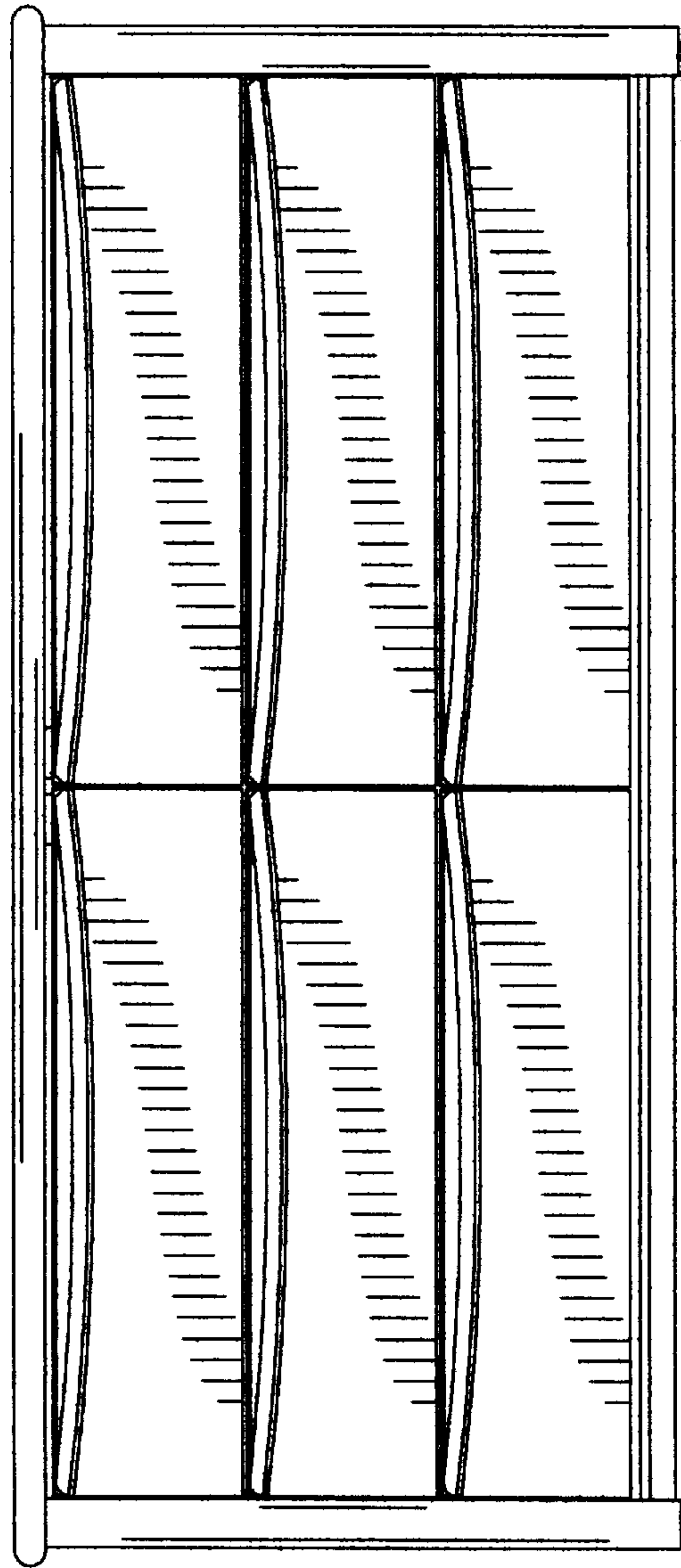


FIG. 2

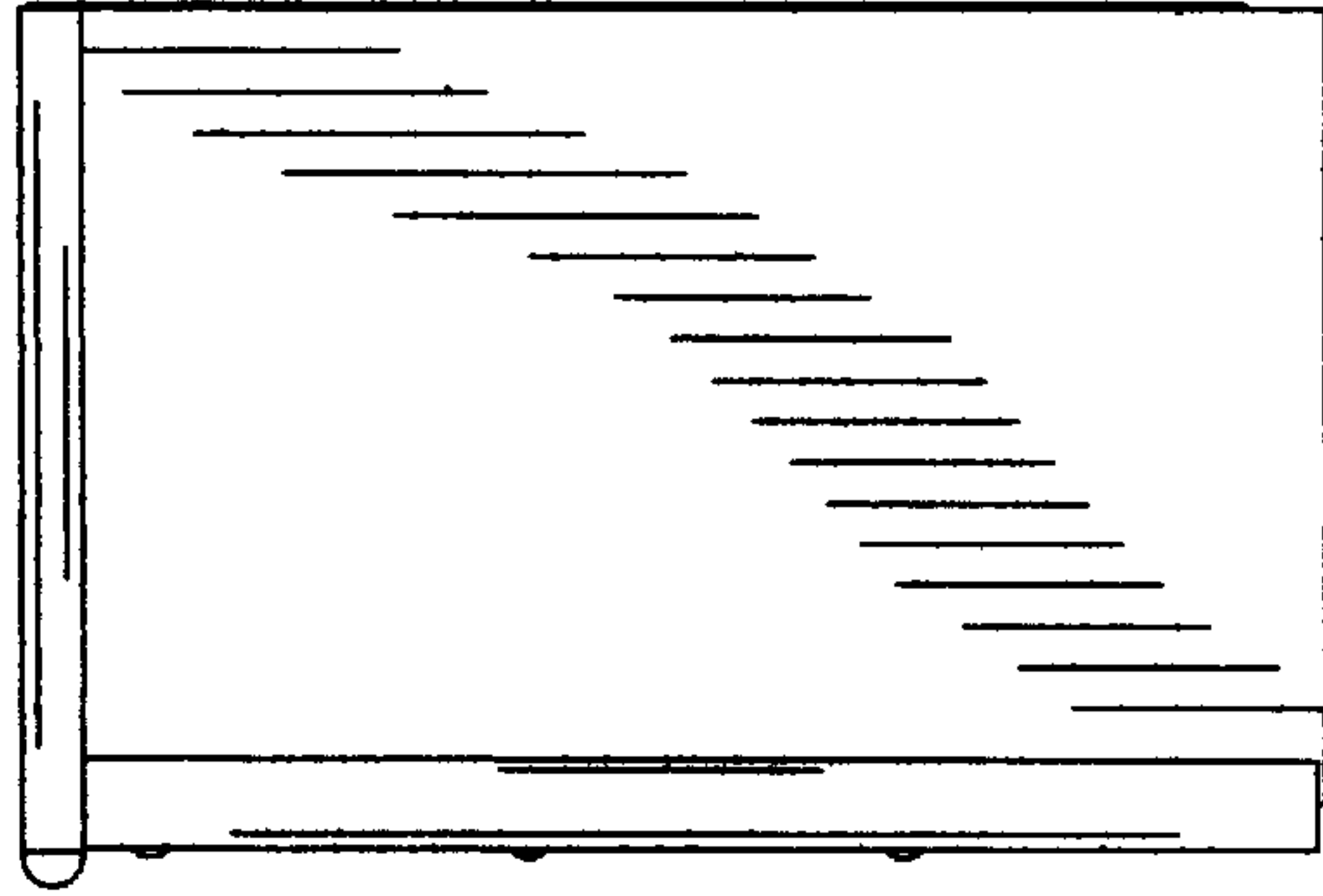


FIG. 3

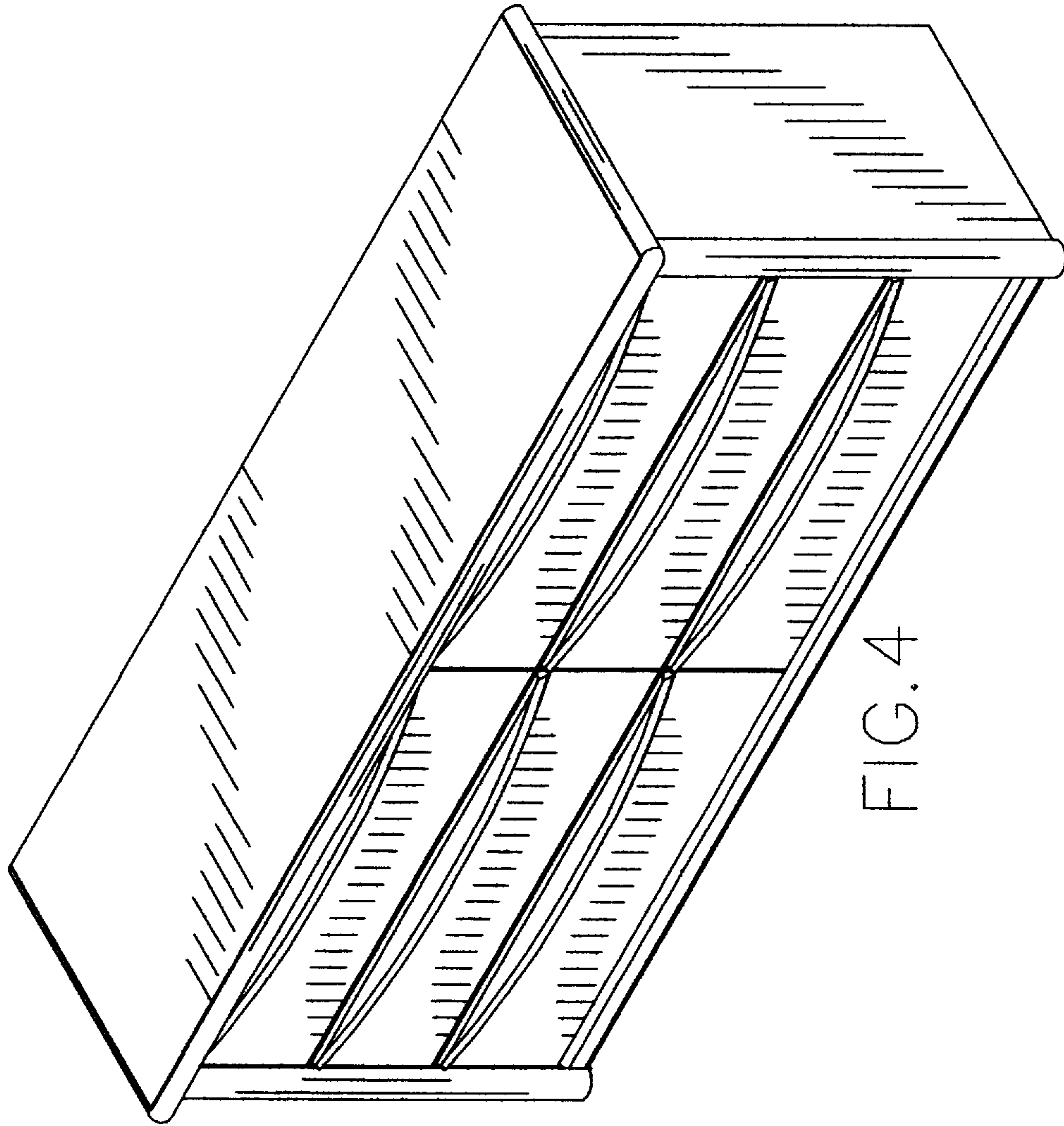


FIG. 4