



US00D407237S

United States Patent [19] Stangl

[11] **Patent Number: Des. 407,237**

[45] **Date of Patent: **Mar. 30, 1999**

[54] **CHEST-TABLE**

[75] Inventor: **Sandra Stangl**, Sausalito, Calif.

[73] Assignee: **Williams-Sonoma, Inc.**, San Francisco, Calif.

[**] Term: **14 Years**

[21] Appl. No.: **77,140**

[22] Filed: **Sep. 30, 1997**

[51] **LOC (6) Cl.** **06-04**

[52] **U.S. Cl.** **D6/440**

[58] **Field of Search** D6/432-448; D3/272,
D3/273, 294; 312/204, 290, 327; 217/56,
57

[56] **References Cited**

U.S. PATENT DOCUMENTS

D. 70,897	8/1926	Purchas	D3/294
D. 71,406	11/1926	Purchas	D3/294
D. 144,017	3/1946	Abbott	D6/440
D. 173,200	10/1954	Goodhue	D3/272 X
D. 174,886	5/1955	Petker	D3/272
D. 182,332	3/1958	Freedman	D6/443
D. 307,985	5/1990	Hoff	D6/440

OTHER PUBLICATIONS

Yield House,p. 12; the blanket chest center of page, Dec. 1978.

Yield House,Summer 1991,p. 17; shaker blanket chests top left on page, 1991.

This End Up,p. 25; item E storage chest bottom right on top of page, Jul. 1995.

Pottery Barn,p. 17; table chest on page, Aug. 1997.

Primary Examiner—Carmen H. Vales-Lado

Attorney, Agent, or Firm—Janis Biksa; Owen, Wickersham & Erickson, P.C.

[57] **CLAIM**

The ornamental design for a chest-table, as shown and described.

DESCRIPTION

FIG. 1 is a perspective view of a chest-table showing my new design;

FIG. 2 is a front elevational view thereof;

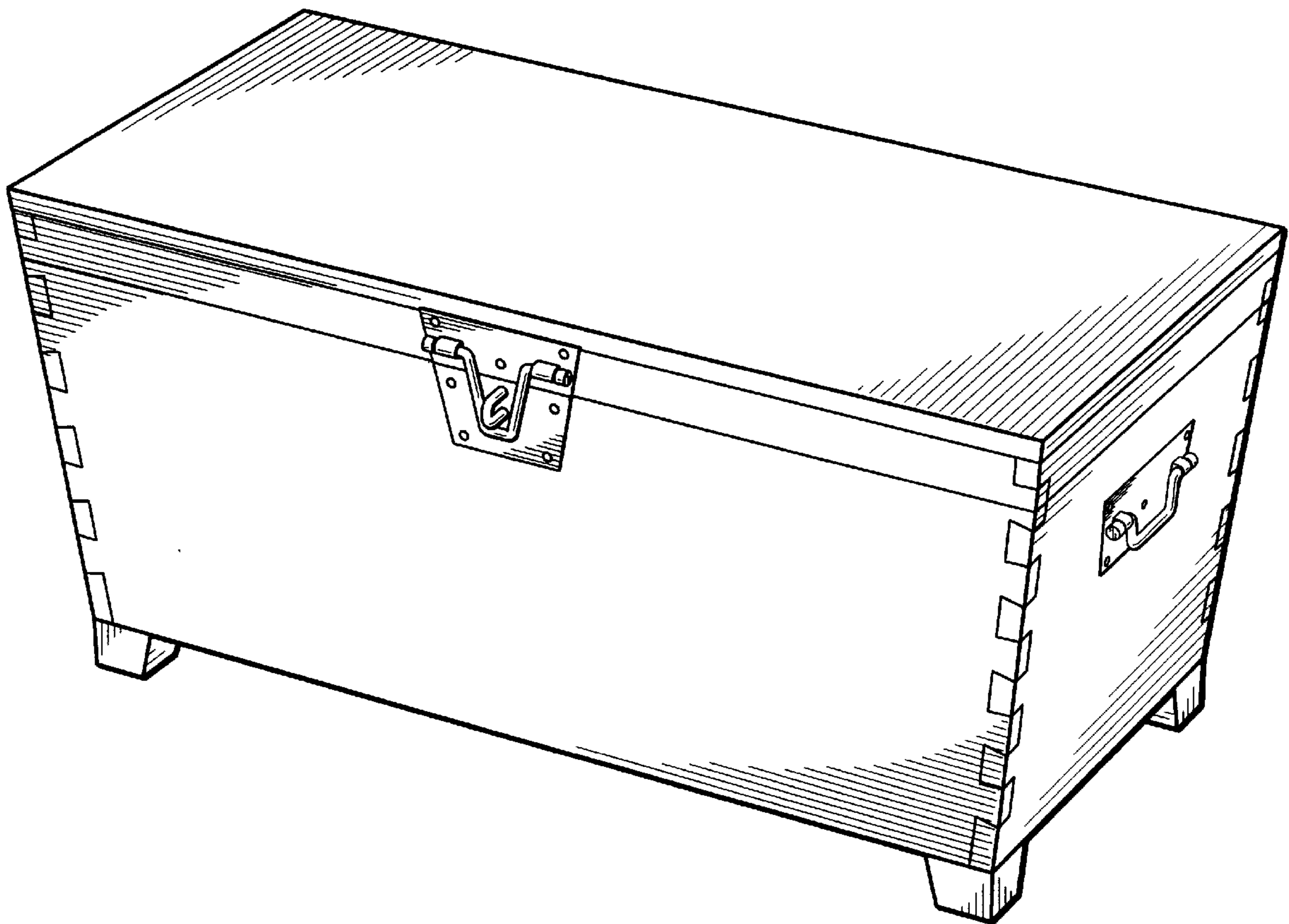
FIG. 3 is a right side elevational view, the left side being a mirror image thereof;

FIG. 4 is a rear elevational view thereof;

FIG. 5 is a top plan view thereof; and,

FIG. 6 is a bottom plan view thereof.

1 Claim, 3 Drawing Sheets



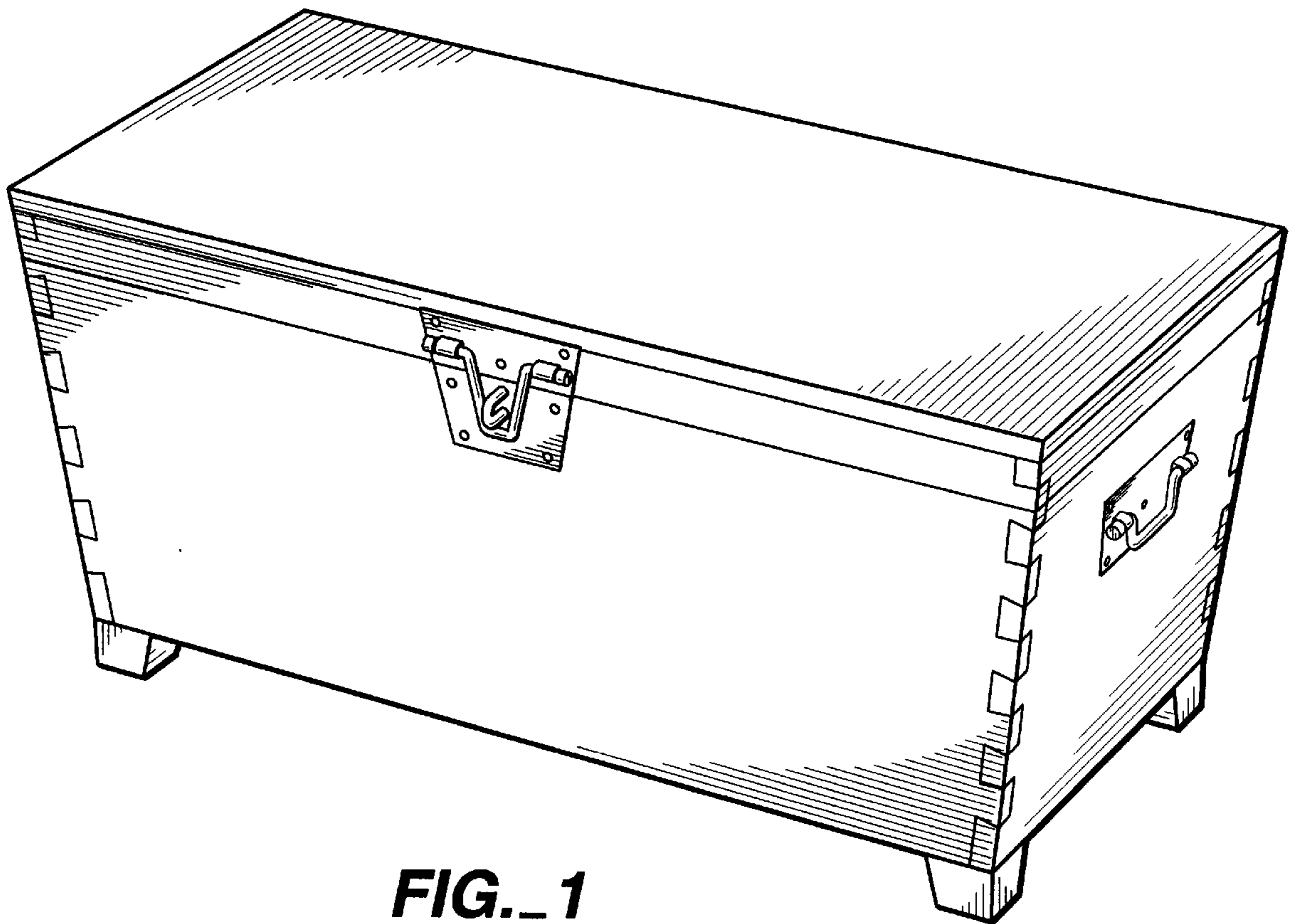


FIG. 1

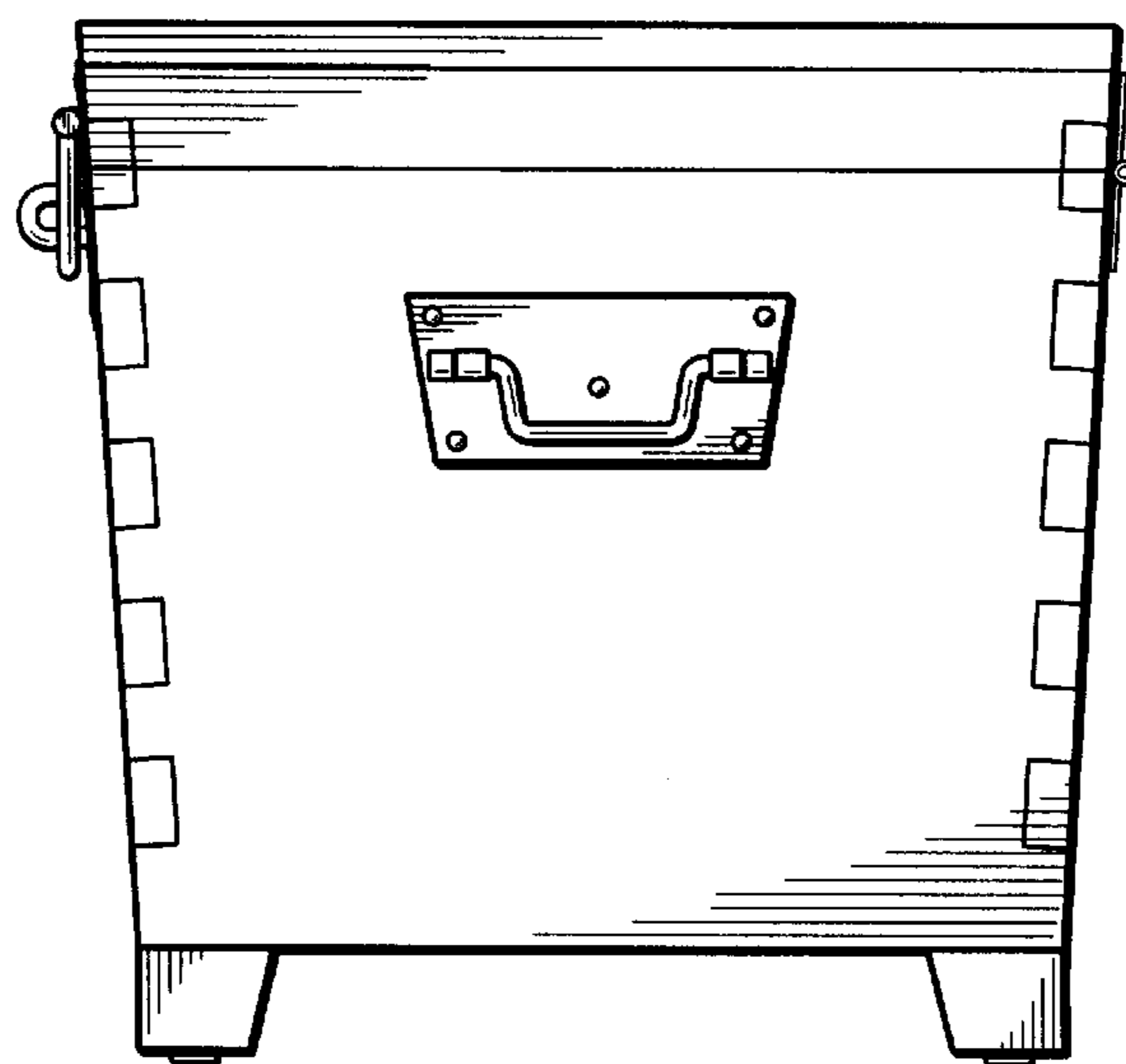


FIG. 3

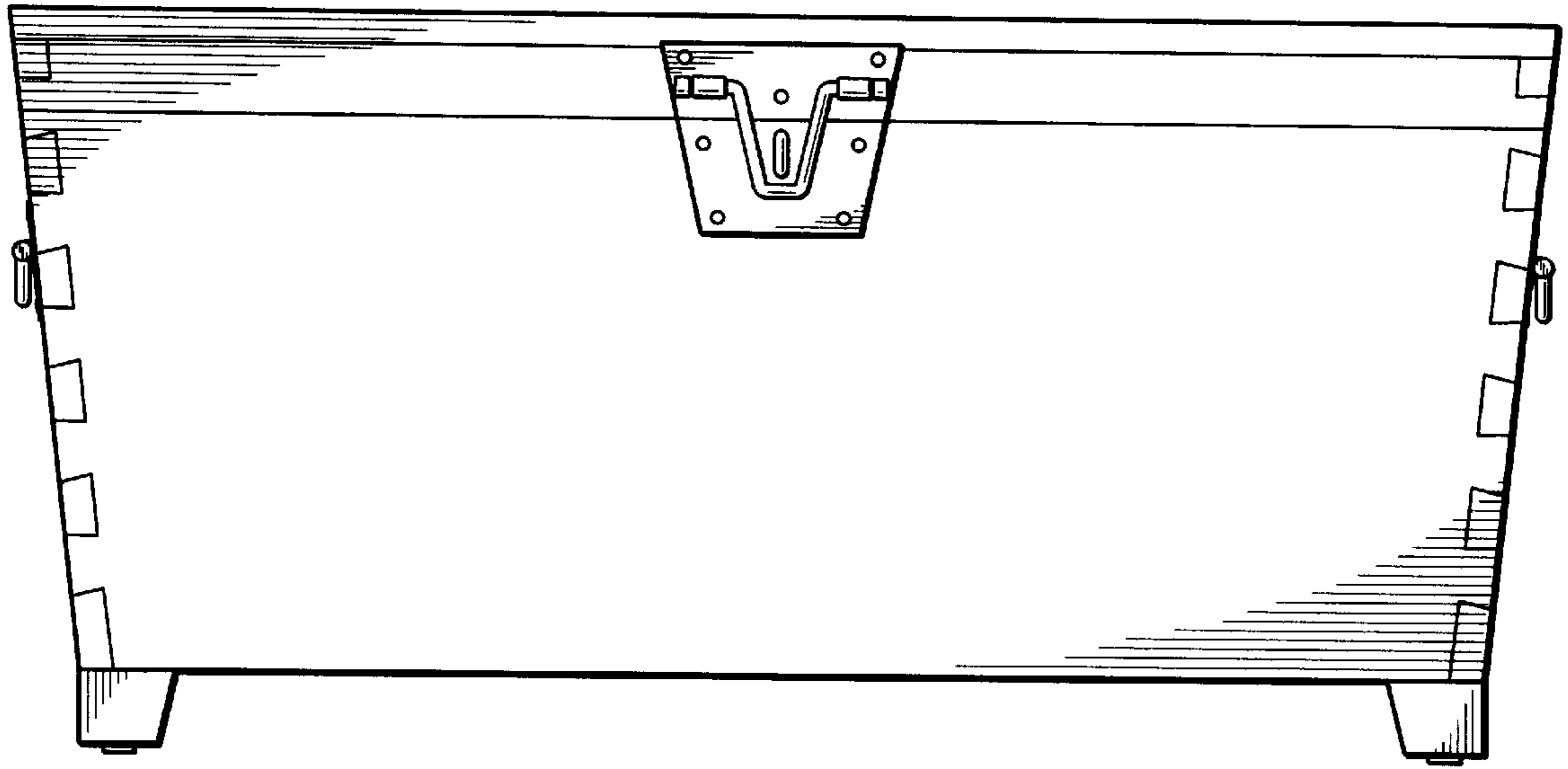


FIG. 2

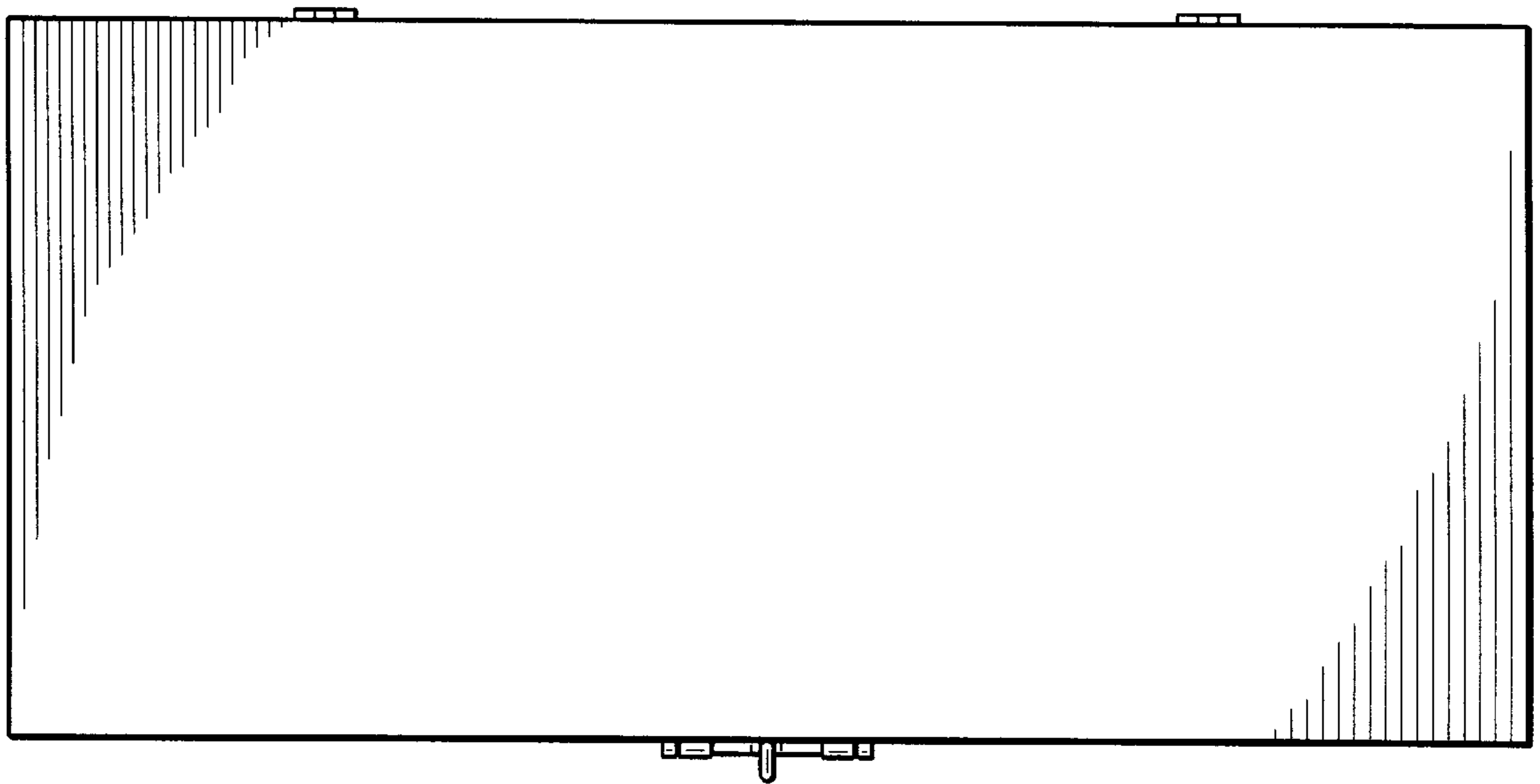


FIG. 5

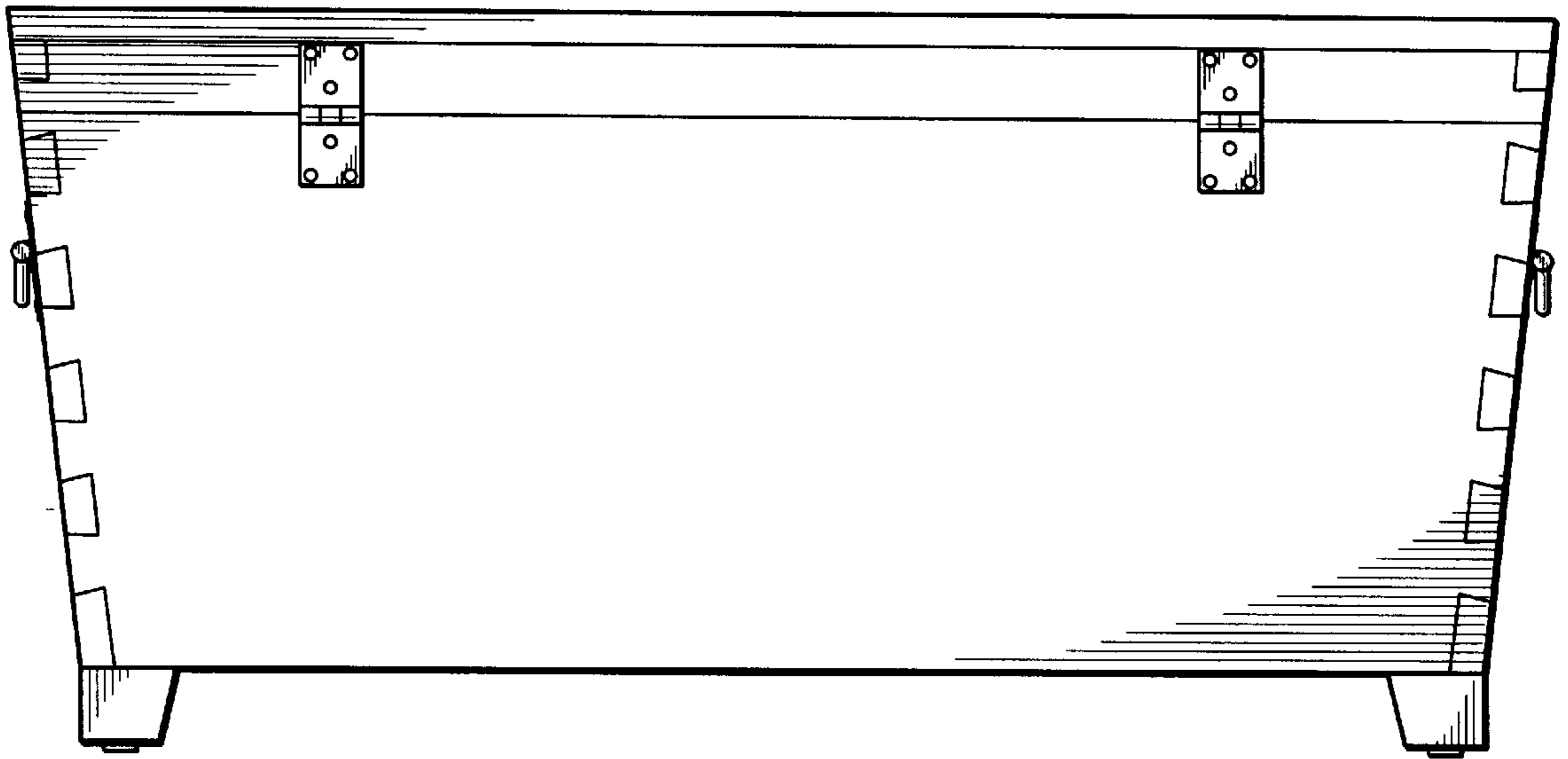


FIG._4

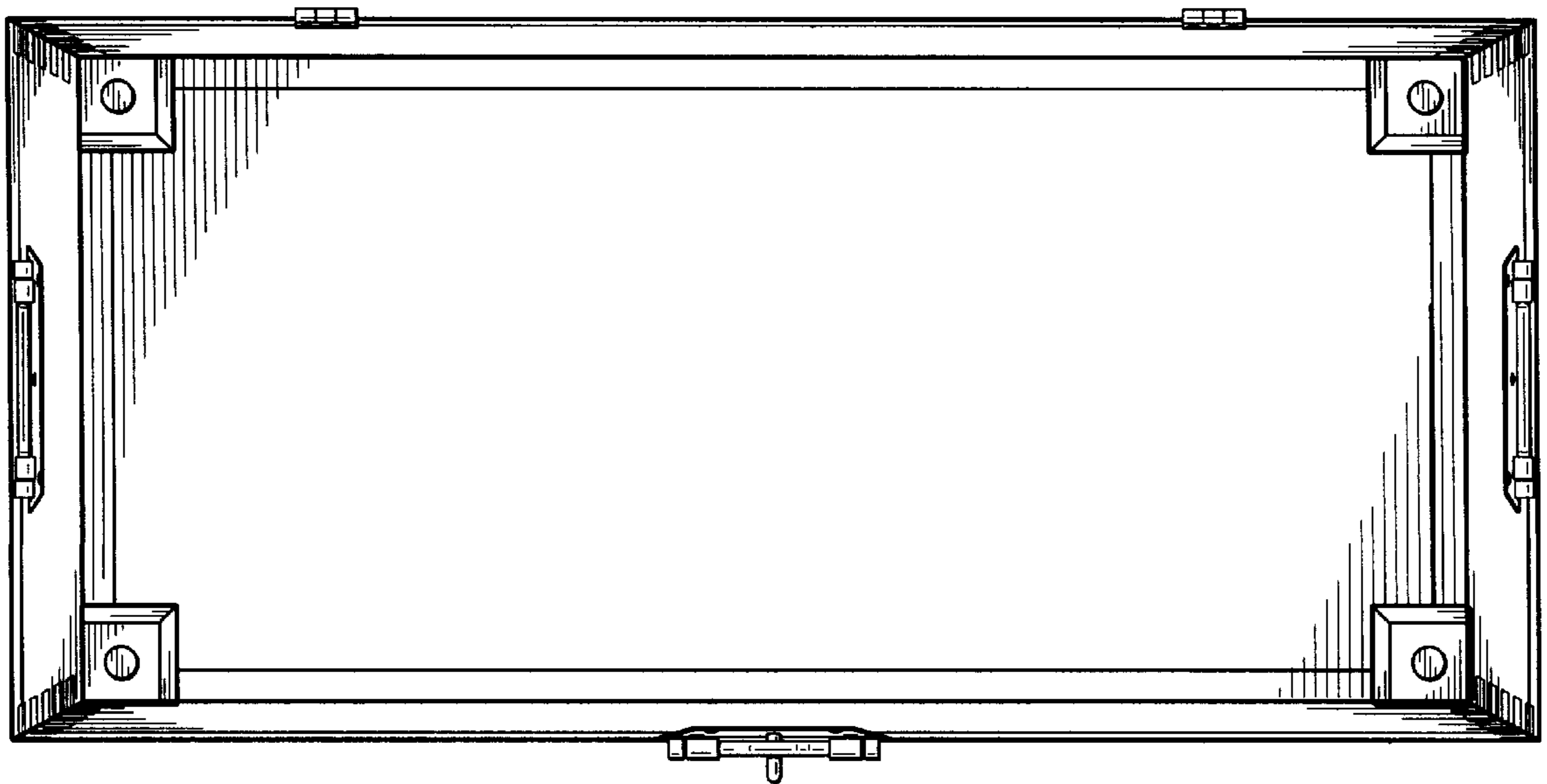


FIG._6