



US00D407236S

United States Patent [19]

Latta

[11] Patent Number: **Des. 407,236**

[45] Date of Patent: ****Mar. 30, 1999**

[54] **DOLL ORGANIZER**

[76] Inventor: **Peggy Latta**, 12804 Andover Dr.,
Carmel, Ind. 46033

[**] Term: **14 Years**

[21] Appl. No.: **71,477**

[22] Filed: **May 27, 1997**

[51] **LOC (6) Cl.** **06-04**

[52] **U.S. Cl.** **D6/437**

[58] **Field of Search** D6/432-448, 469,
D6/449, 396, 397; D3/903; 312/204; D21/658;
248/176.1, 187.1; 446/268, 73

[56] **References Cited**

U.S. PATENT DOCUMENTS

- D. 154,404 7/1949 Levy D6/469
- D. 163,953 7/1951 Kully D3/903 X
- D. 177,788 5/1956 Abadessa, Jr. D6/469
- D. 186,580 11/1959 Blalack D6/396
- D. 194,466 1/1963 Johnson D3/903 X
- D. 197,252 12/1963 Spears D3/903 X

- D. 217,260 4/1970 McLeod D6/436
- D. 275,973 10/1984 Marino D21/658 X
- D. 277,340 1/1985 Christen D3/903 X
- D. 295,469 5/1988 Green D6/436
- D. 309,727 8/1990 Ferry D6/469
- D. 394,762 6/1998 Greiner D6/436
- D. 395,768 7/1998 Greiner D6/436
- 5,209,694 5/1993 Utt, Jr. 446/73

Primary Examiner—Carmen H. Vales-Lado

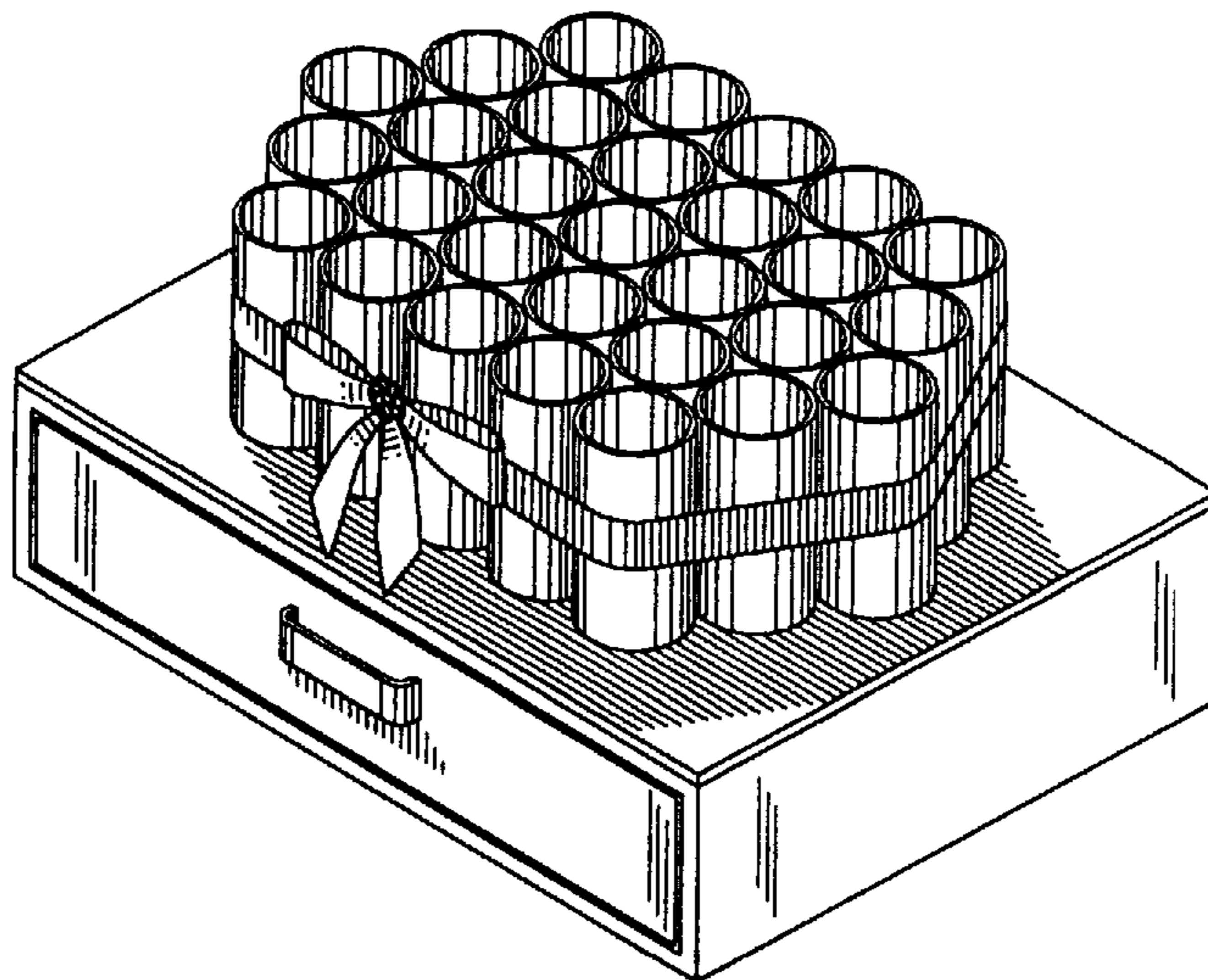
[57] **CLAIM**

The ornamental design for a doll organizer, as shown and described.

DESCRIPTION

FIG. 1 is a front elevational view of the doll organizer showing my new design;
 FIG. 2 is a rear elevational view thereof;
 FIG. 3 is a top plan view thereof;
 FIG. 4 is a bottom plan view thereof;
 FIG. 5 is a left view thereof;
 FIG. 6 is a right view thereof; and,
 FIG. 7 is a perspective view thereof on a reduced scale.

1 Claim, 3 Drawing Sheets



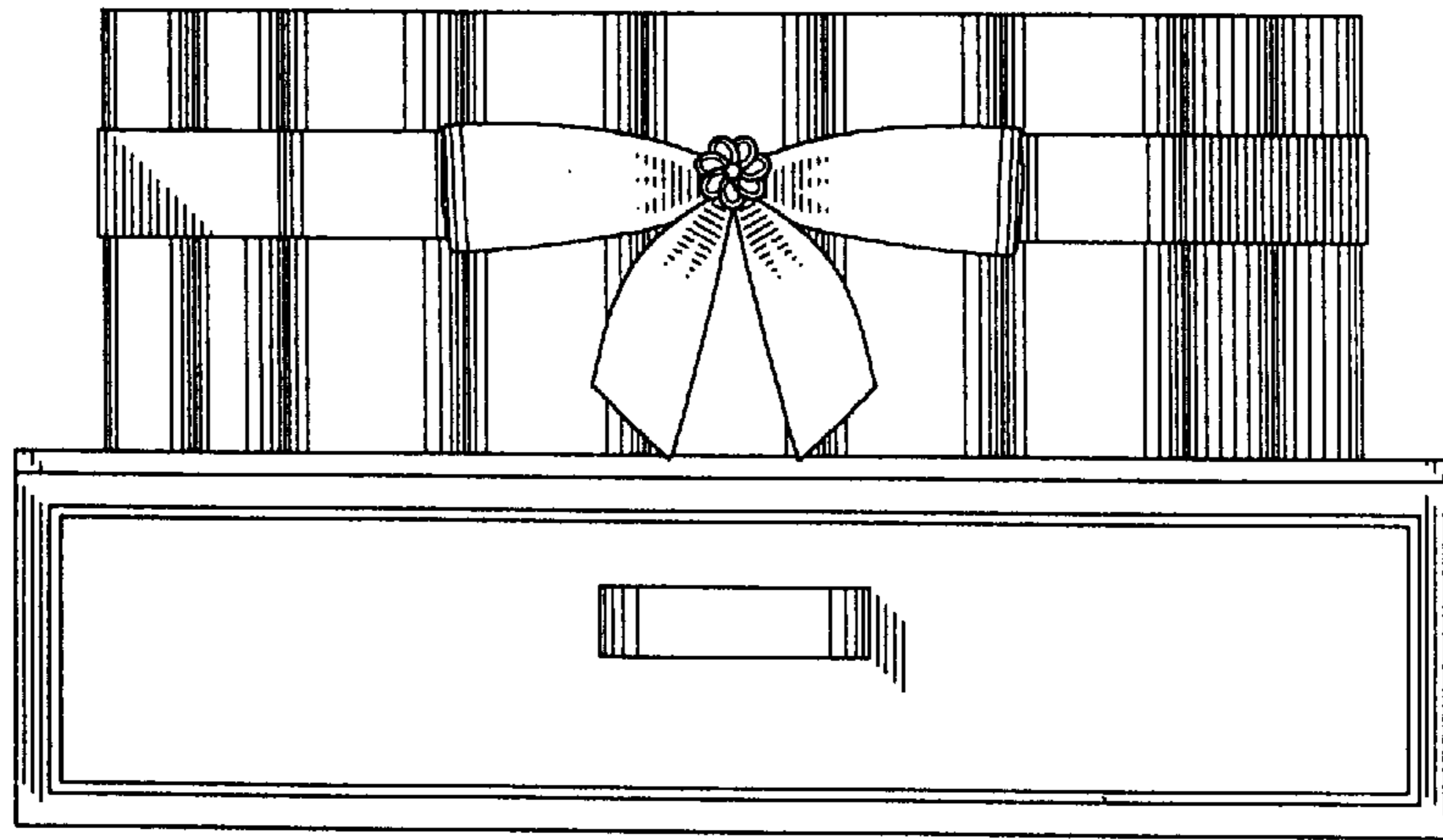


FIG. 1

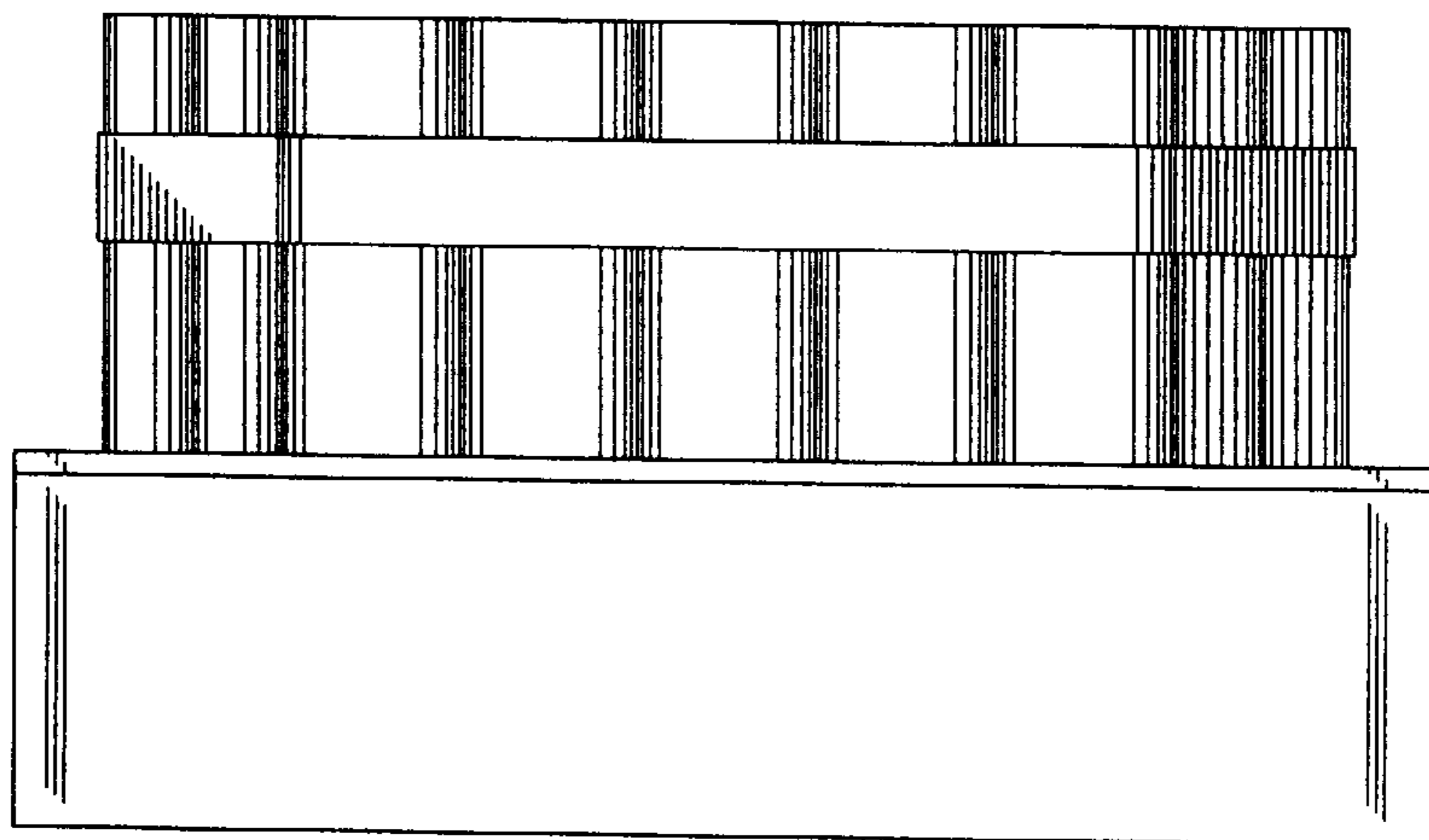


FIG. 2

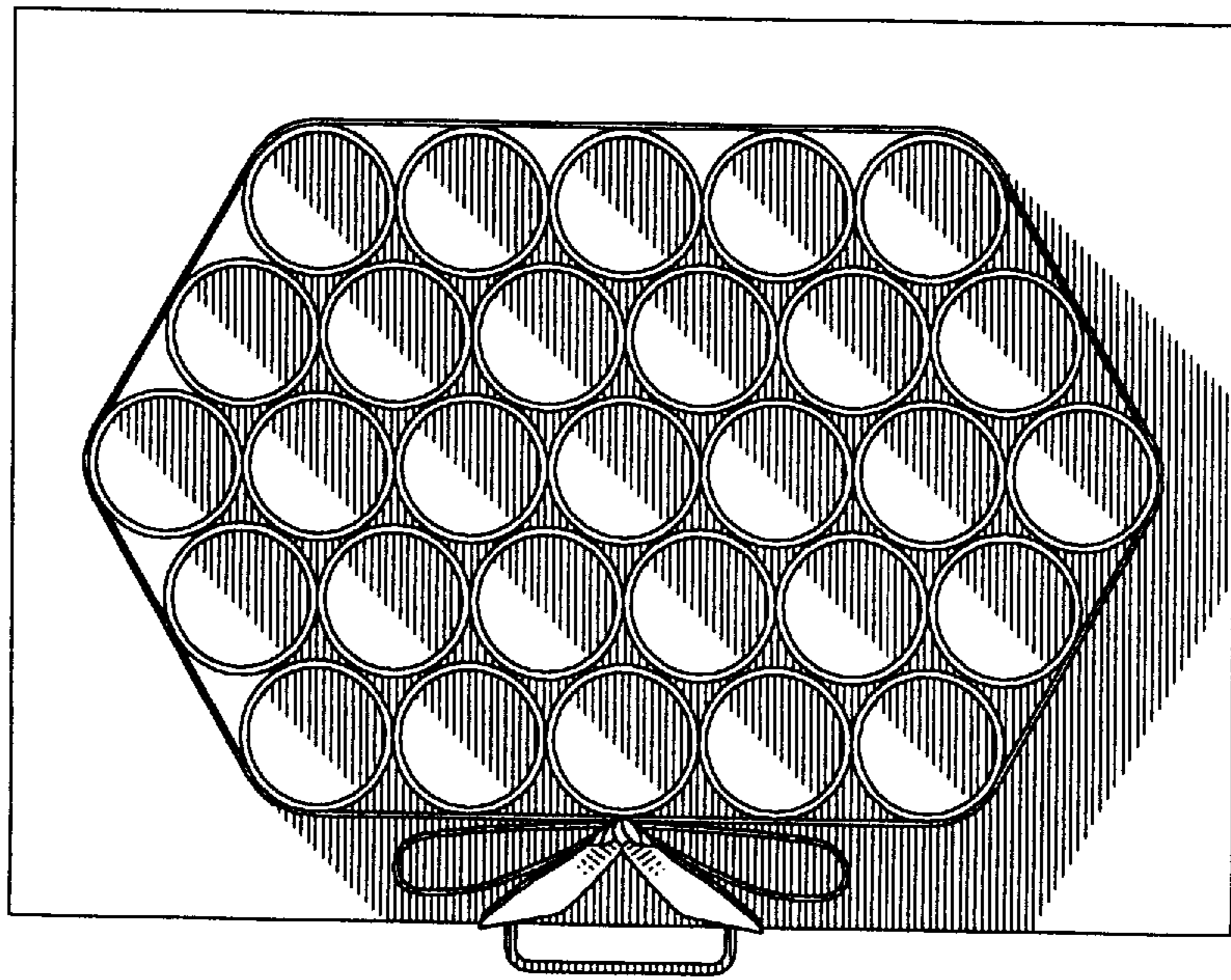


FIG. 3

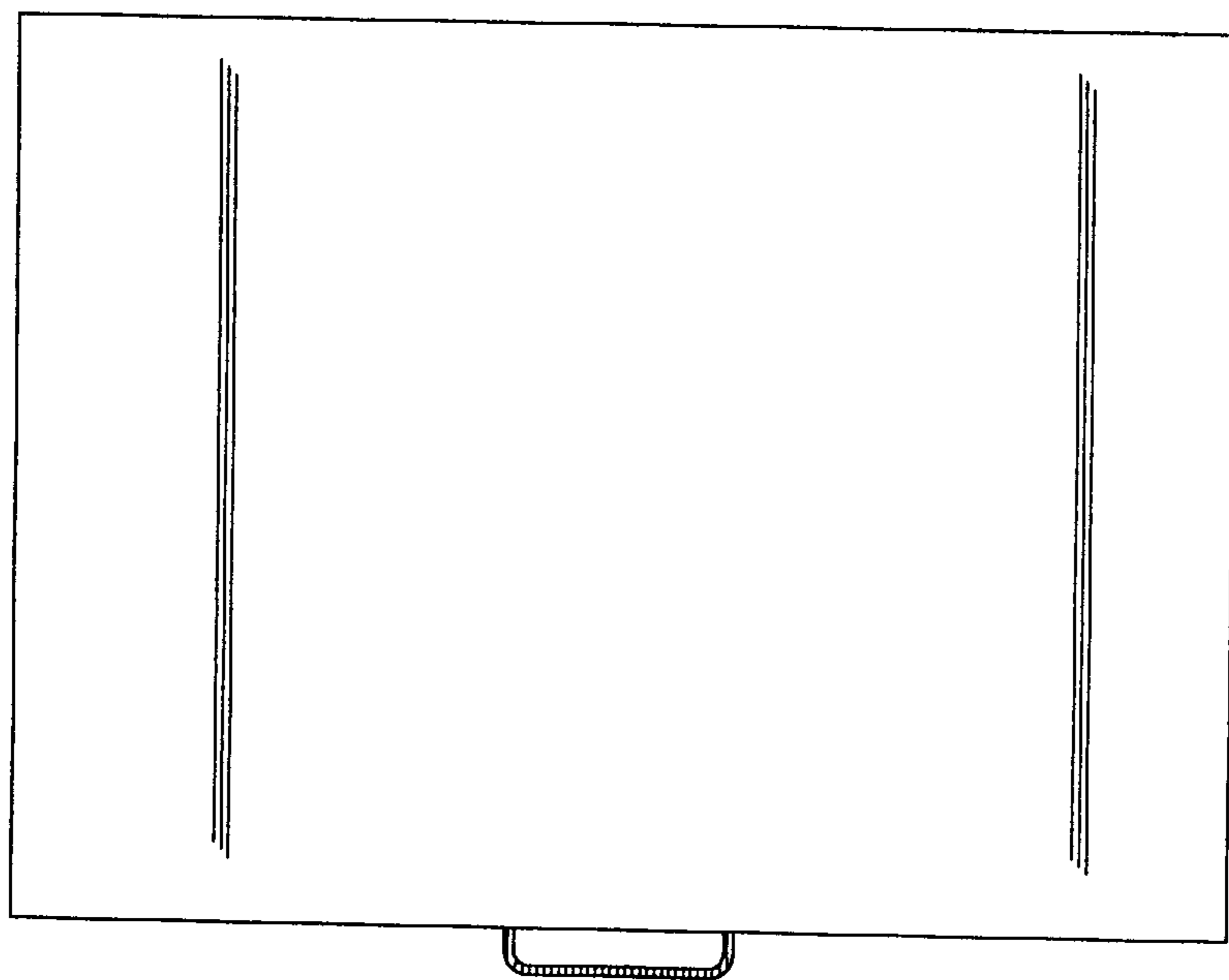


FIG. 4

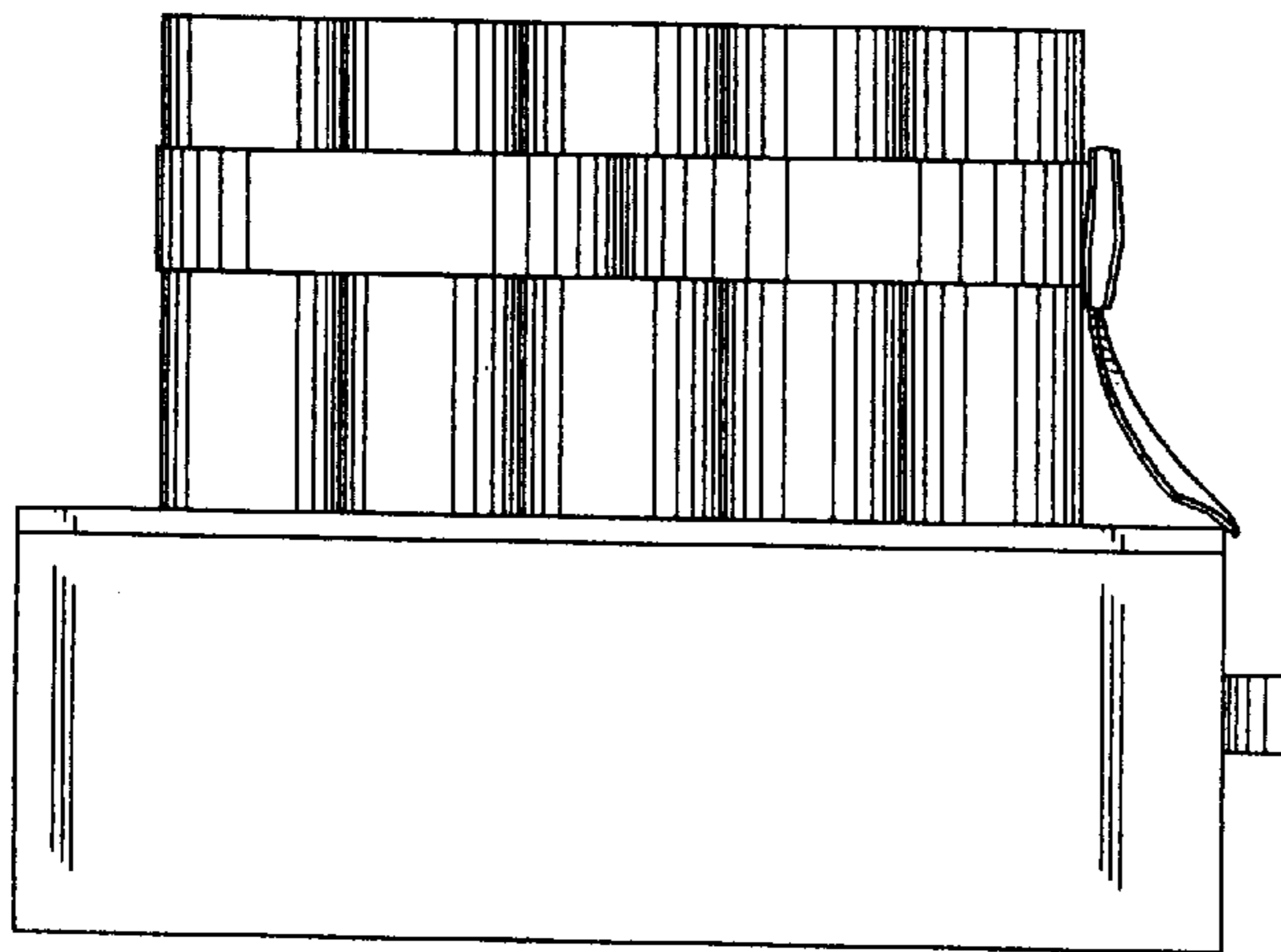


FIG. 5

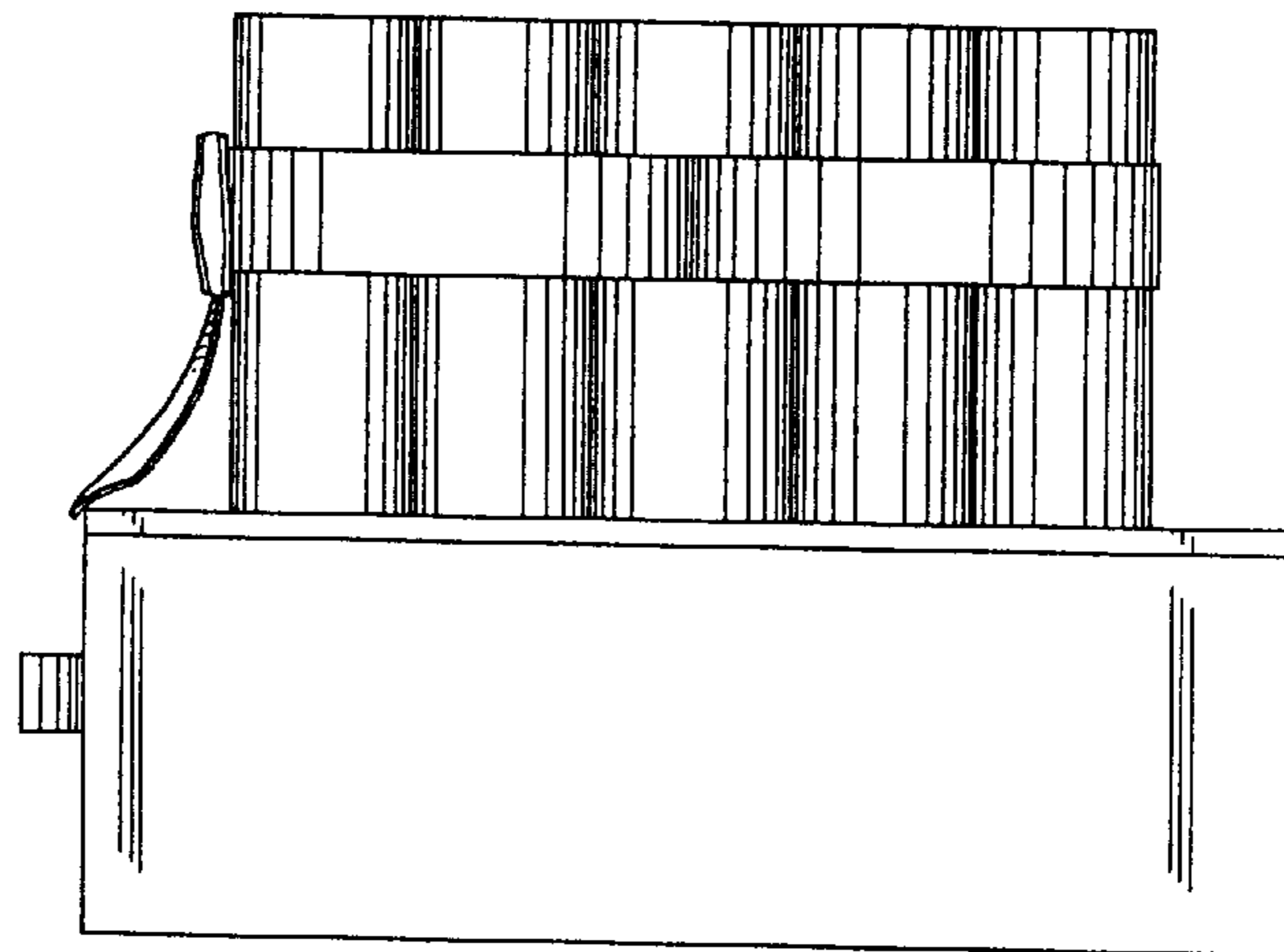


FIG. 6

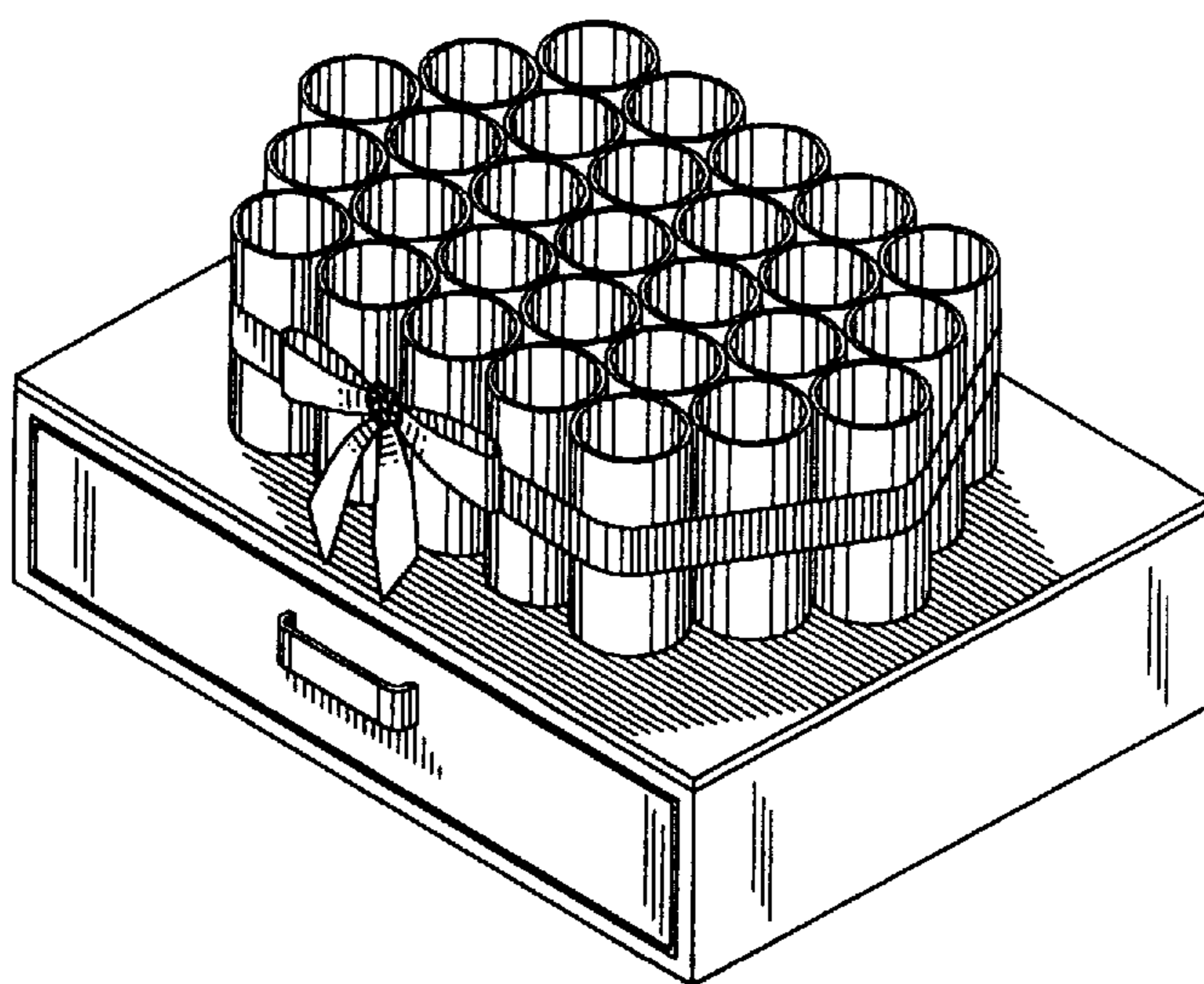


FIG. 7