



US00D407235S

United States Patent [19]
Cunningham et al.

[11] **Patent Number: Des. 407,235**

[45] **Date of Patent: **Mar. 30, 1999**

[54] **FOLDING TABLE**

[75] Inventors: **Tim Cunningham**, Pittsburgh; **William E. Adams**, Portersville, both of Pa.

[73] Assignee: **Adams Mfg. Corp.**, Portersville, Pa.

[**] Term: **14 Years**

[21] Appl. No.: **87,177**

[22] Filed: **Apr. 28, 1998**

[51] **LOC (6) Cl.** **06-03**

[52] **U.S. Cl.** **D6/429; D6/480**

[58] **Field of Search** D6/480-489, 495-497, D6/499, 429, 430; 108/118, 119, 120, 144, 146, 153, 157, 161; 248/188, 188.1, 188.7

[56] **References Cited**

U.S. PATENT DOCUMENTS

D. 388,638	1/1998	Ludlam et al.	D6/480
D. 394,361	5/1998	Adams et al.	D6/429
3,311,071	3/1967	Cook	108/119
4,190,001	2/1980	Cecala	108/161
4,229,038	10/1980	Drost	297/139
5,584,254	12/1996	Williams	108/118

OTHER PUBLICATIONS

IKEA Catalog, c1990, p. 75, HOL table at top left.

Primary Examiner—Janice E. Seeger

Attorney, Agent, or Firm—Buchanan Ingersoll, P.C.

[57] **CLAIM**

An ornamental design for a folding table, as shown and described.

DESCRIPTION

FIG. 1 is a front perspective view of our folding table from the upper right side;

FIG. 2 is a top plan view of our folding table;

FIG. 3 is a front elevational view of our folding table;

FIG. 4 is a left side elevational view of our folding table;

FIG. 5 is a bottom plan view of our folding table;

FIG. 6 is a right side elevational view of our folding table;

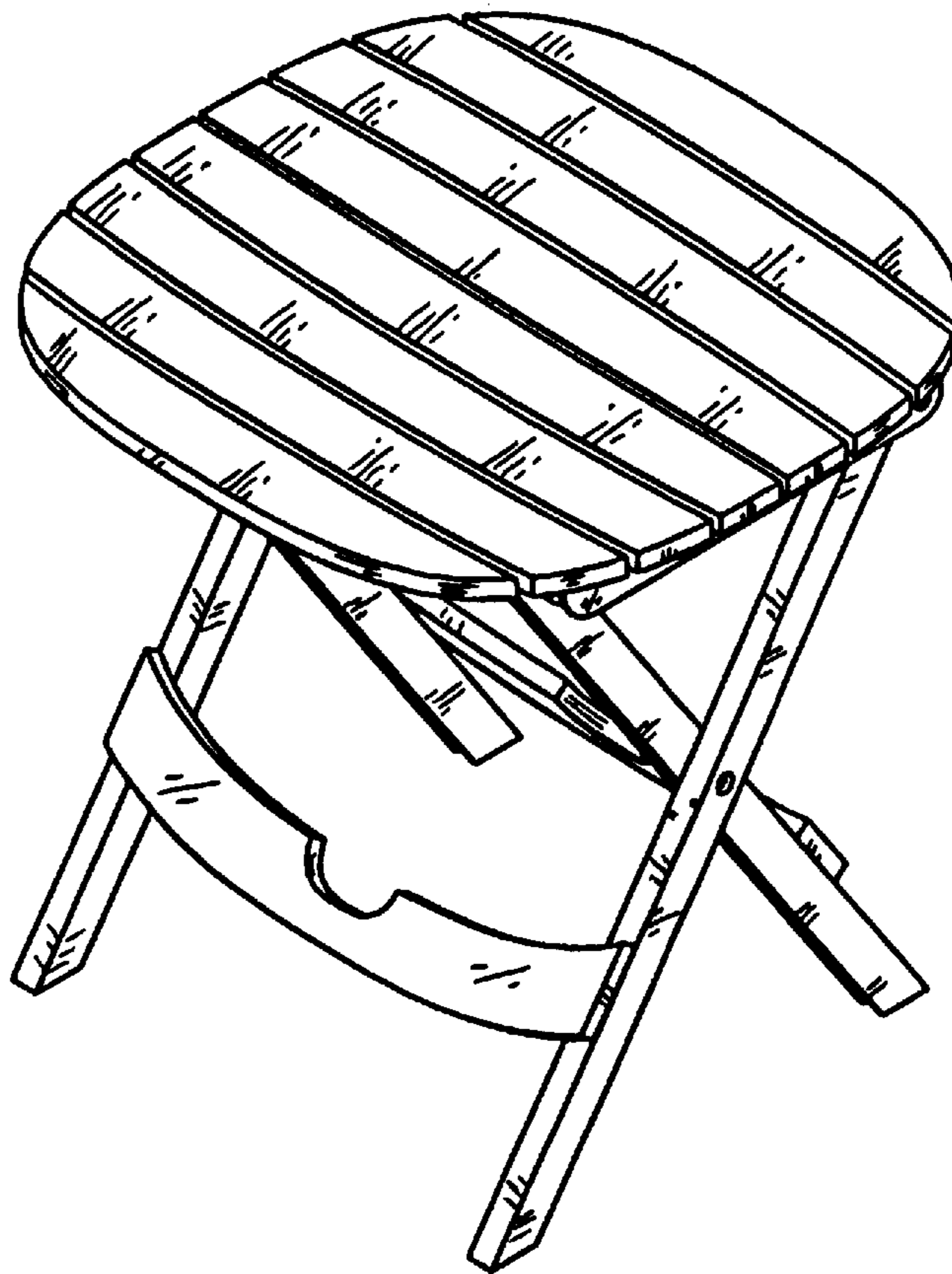
FIG. 7 is a back elevational view of our folding table;

FIG. 8 is a front perspective view showing the fully unfolded table-ready for use;

FIG. 9 is a front perspective view showing the table with legs folded together; and,

FIG. 10 is a front perspective view showing the fully unfolded table-ready to carry or store.

1 Claim, 5 Drawing Sheets



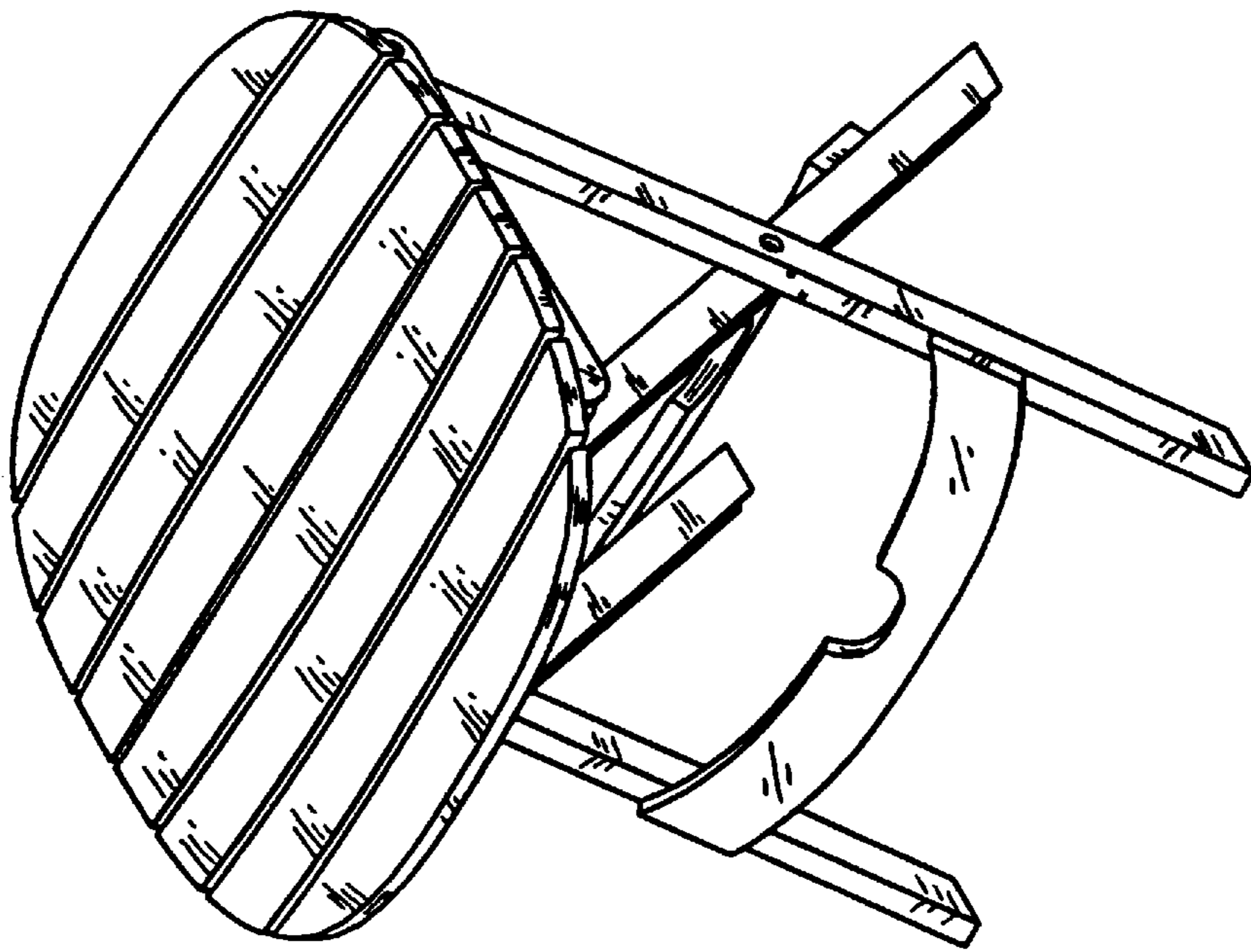


FIGURE 1

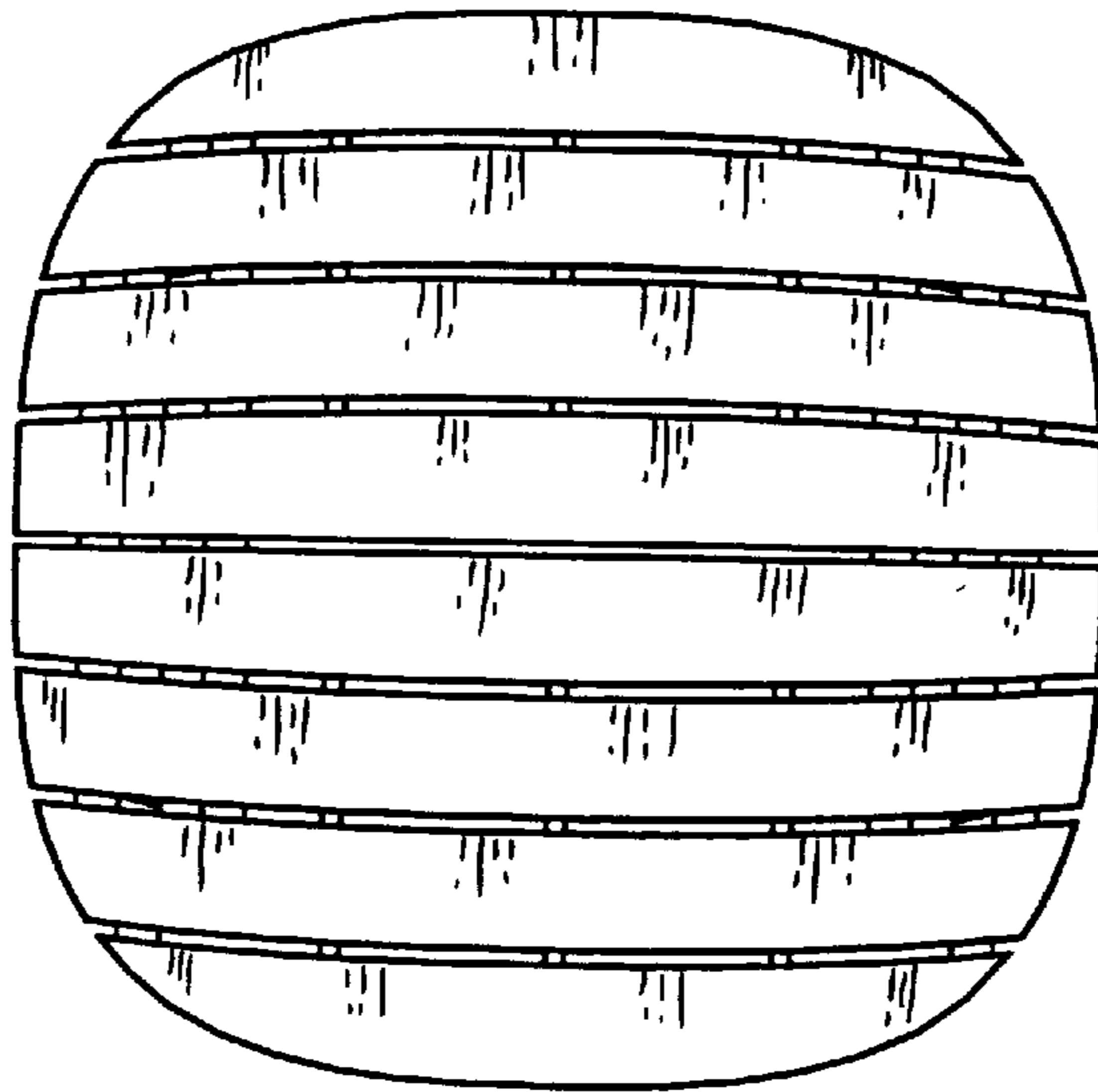


FIGURE 2

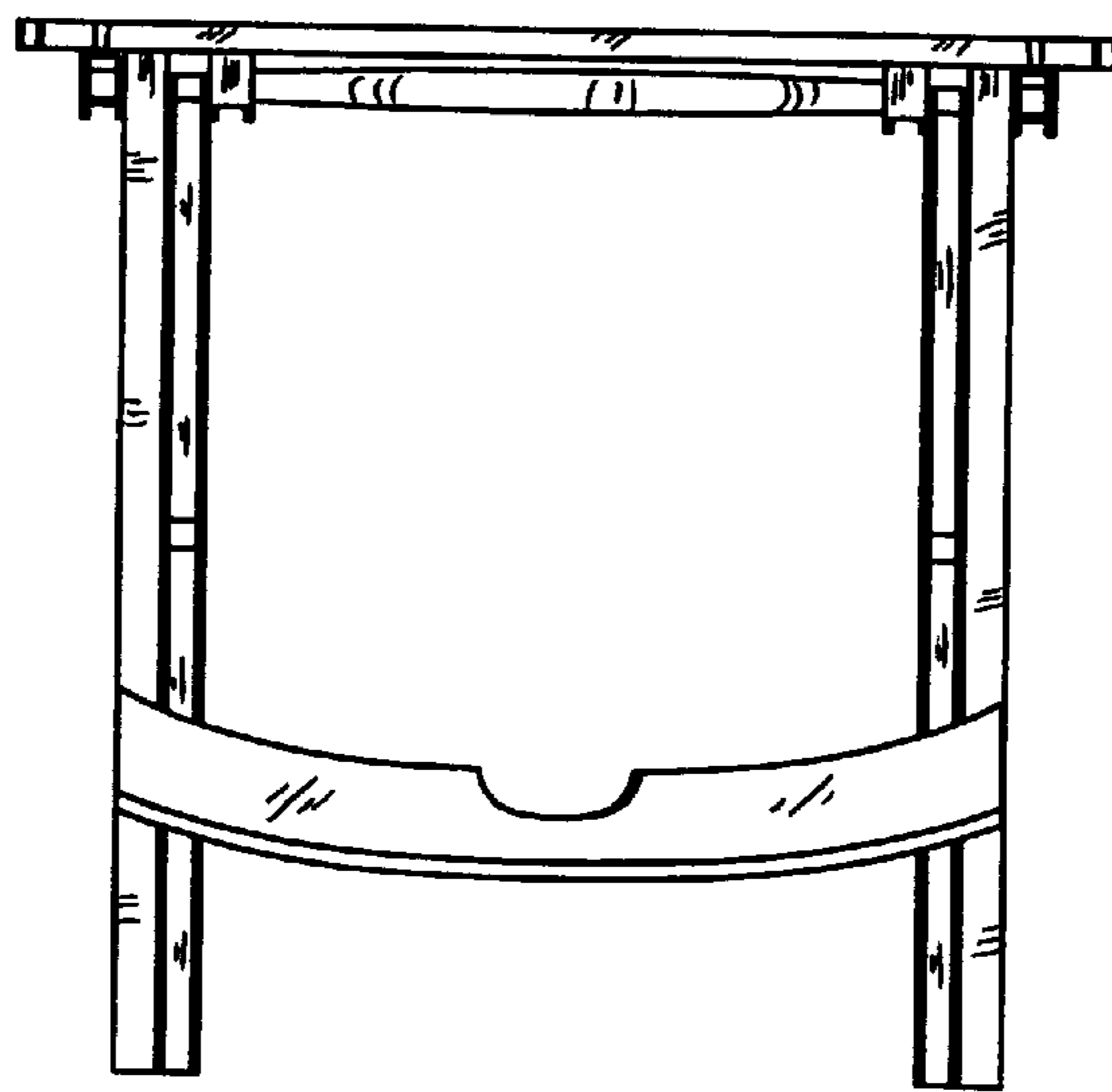


FIGURE 3

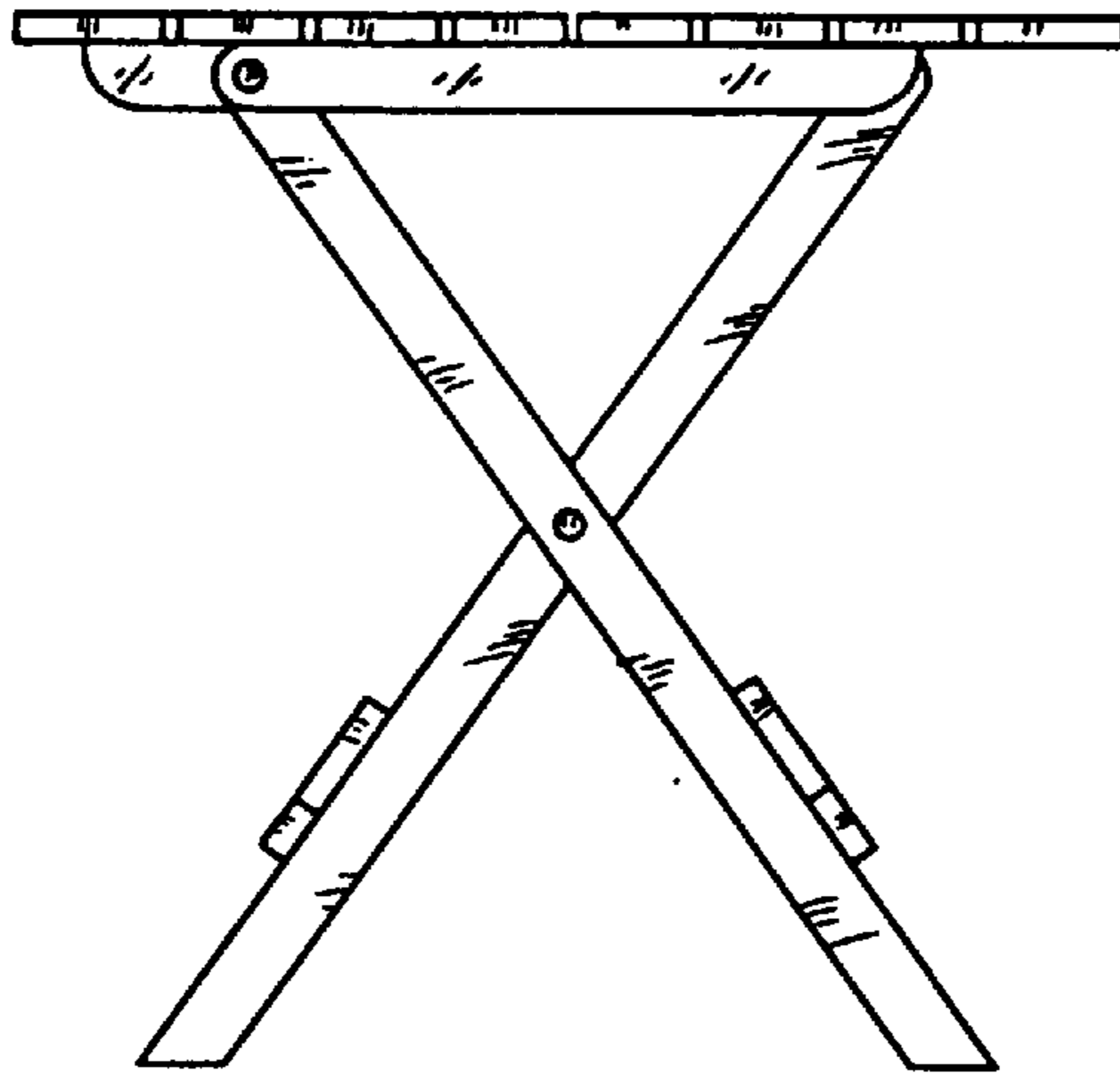


FIGURE 4

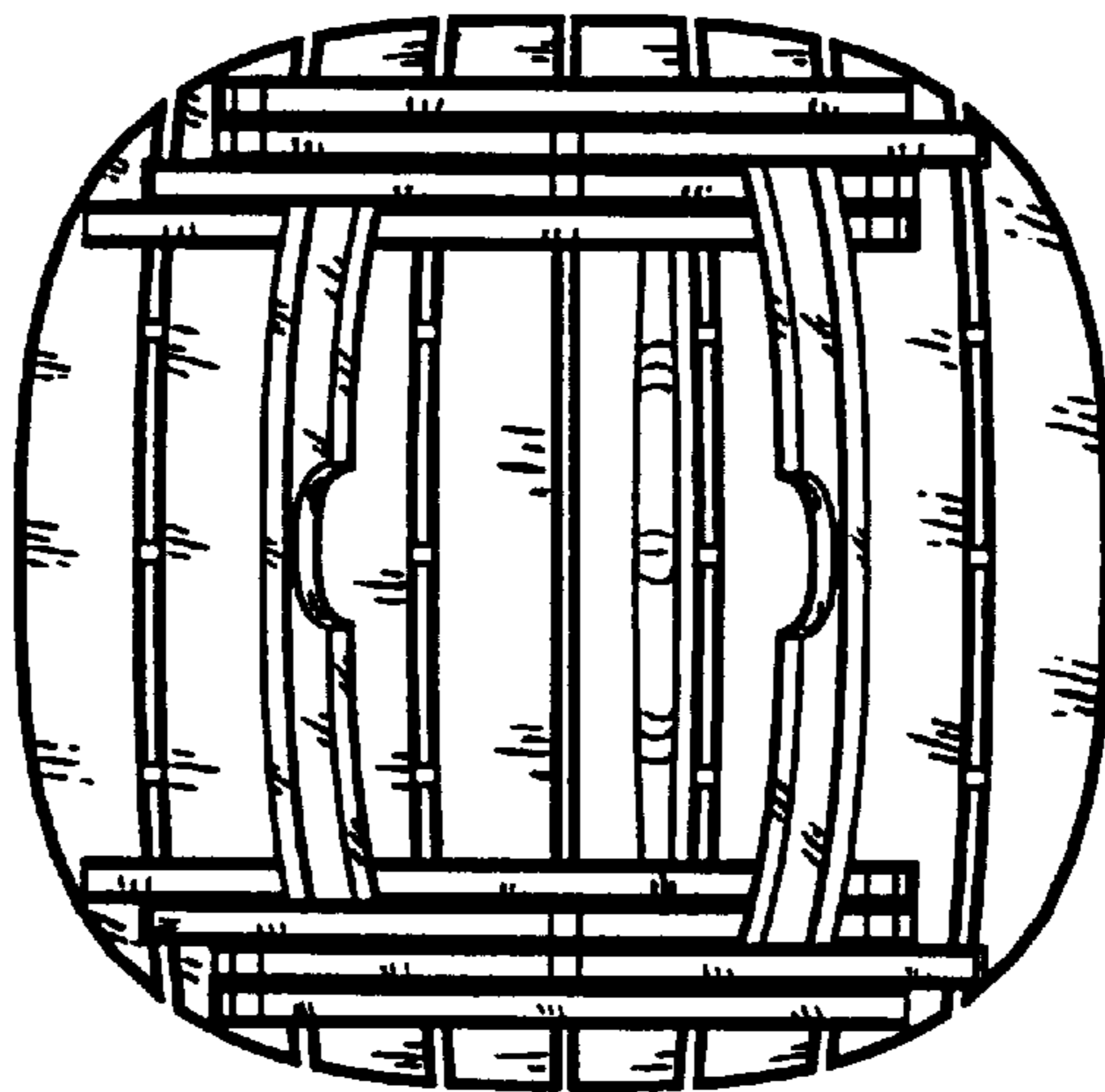


FIGURE 5

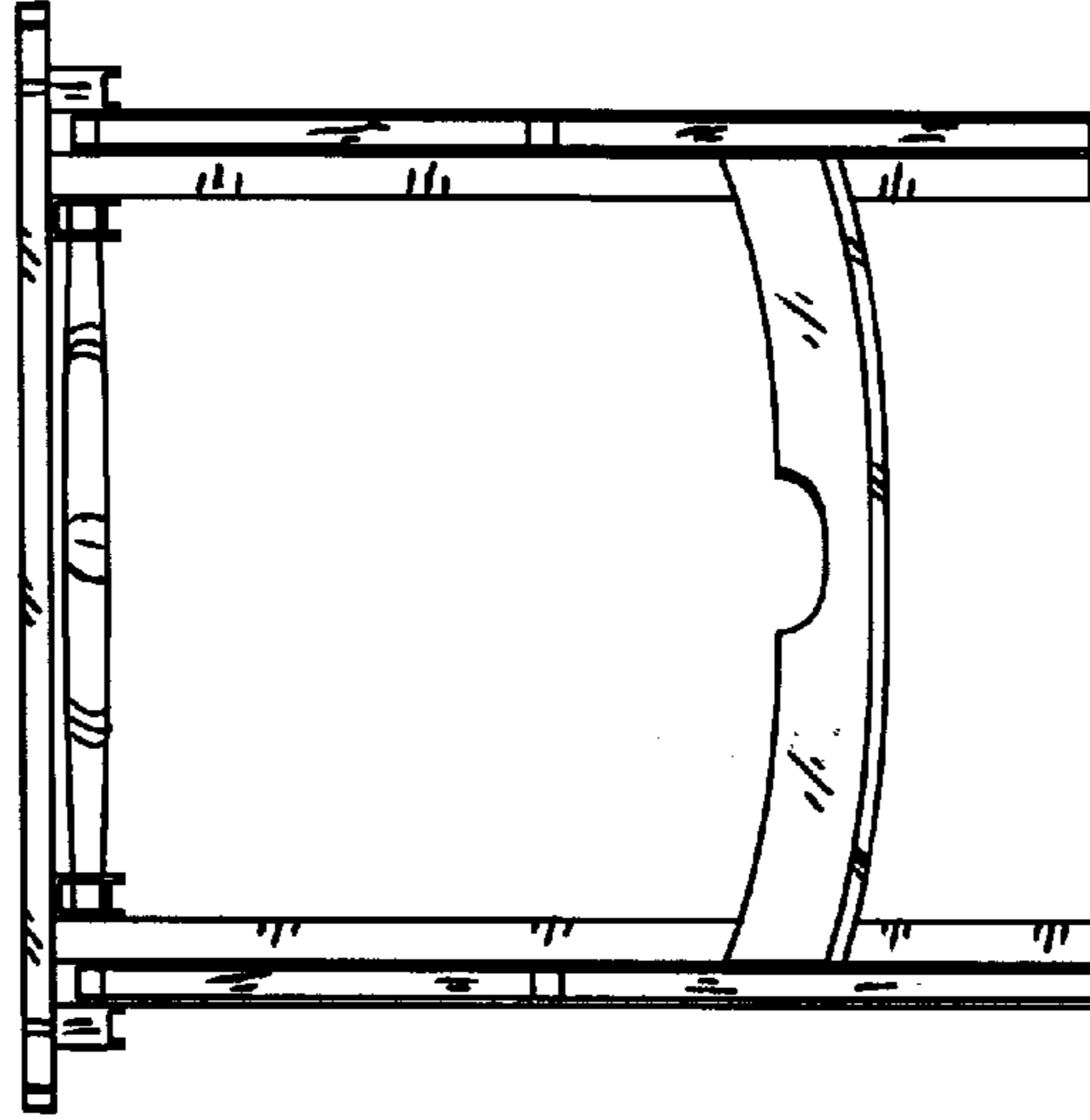


FIGURE 7

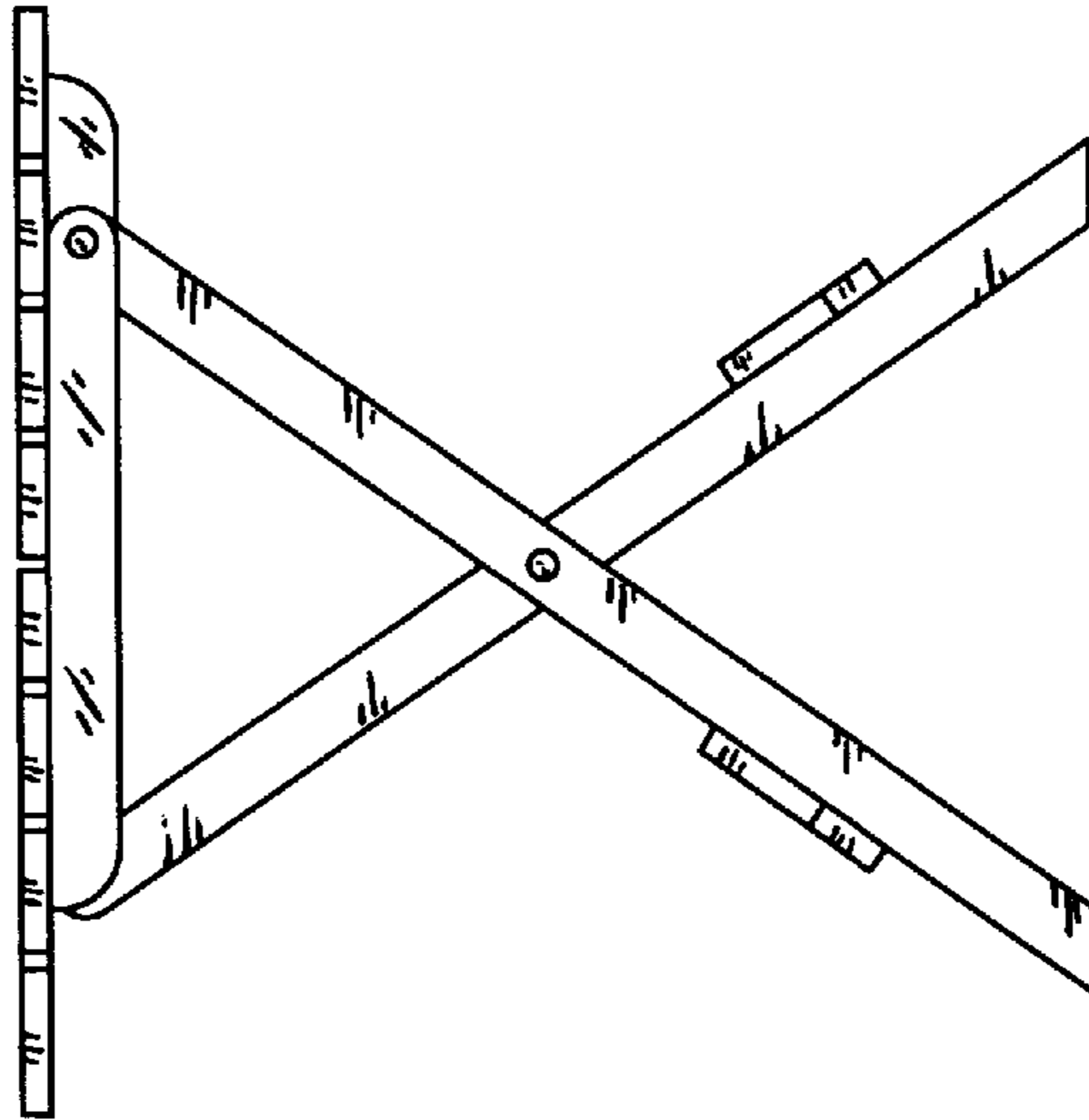


FIGURE 6

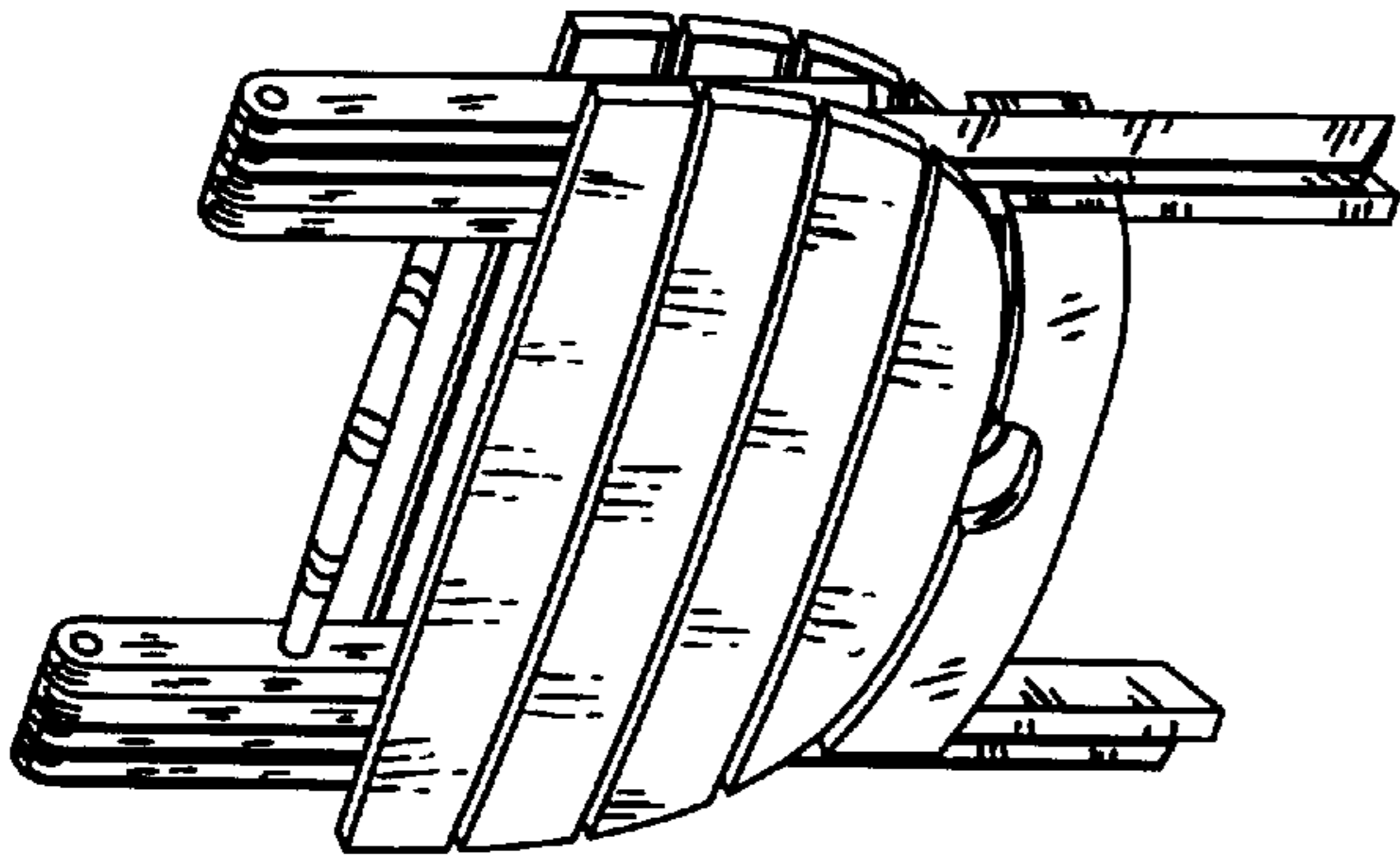


FIGURE 10

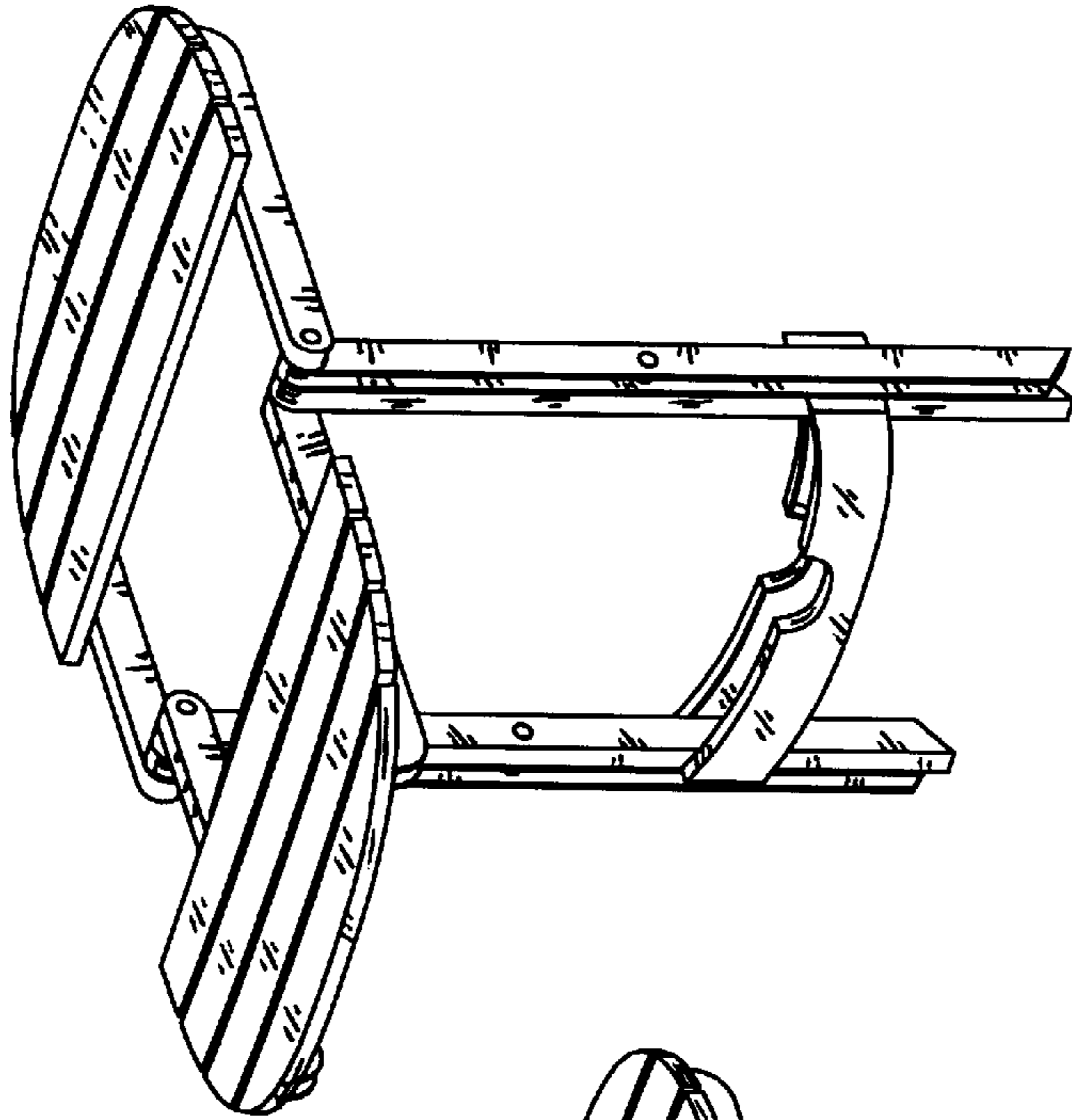


FIGURE 9

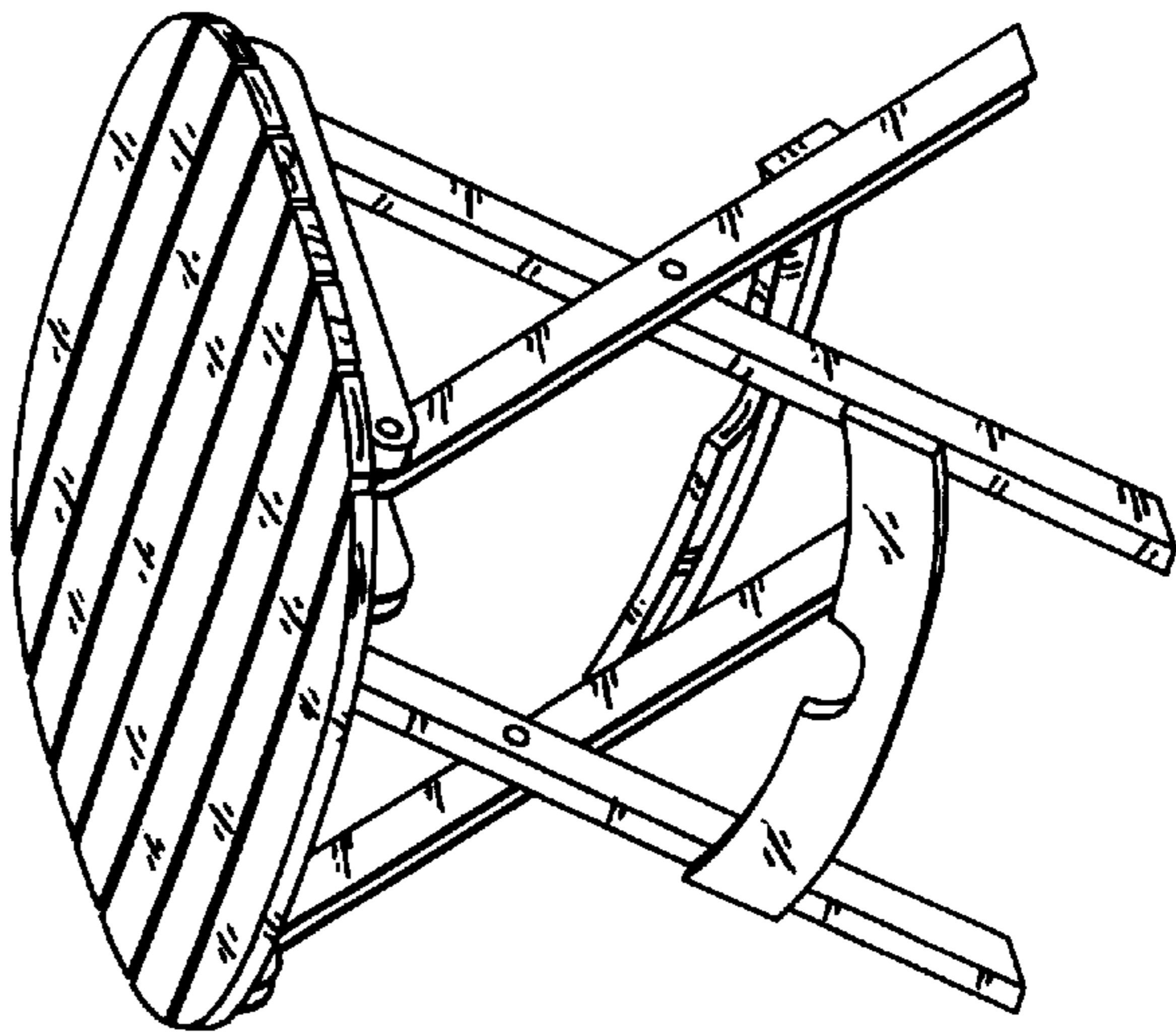


FIGURE 8