



US00D407234S

United States Patent [19]

Moen et al.

[11] **Patent Number: Des. 407,234**

[45] **Date of Patent: **Mar. 30, 1999**

[54] **COMPUTER DESK**

[76] Inventors: **Stephen Moen; Lianne Moen**, both of
7355 - 42 Street, Edmonton, Canada,
T8L 2M9

[**] Term: **14 Years**

[21] Appl. No.: **69,344**

[22] Filed: **Apr. 3, 1997**

[30] **Foreign Application Priority Data**

Dec. 13, 1996 [CA] Canada 1996-2887

[51] **LOC (6) Cl.** **06-04**

[52] **U.S. Cl.** **D6/426**

[58] **Field of Search** D6/422, 423, 425-431,
D6/474, 477-480, 484, 487; D14/102-104;
108/90-92, 59, 60, 149; 312/223.2, 223.3,
194-196

[56] **References Cited**

U.S. PATENT DOCUMENTS

D. 260,716	9/1981	Cohen et al. .	
D. 278,583	4/1985	Koguma	D6/426
D. 288,750	3/1987	Friedman	D6/429
D. 334,856	4/1993	Sielaff	D6/474
D. 372,817	8/1996	Stevens	D6/474
4,646,655	3/1987	Robolin	108/92

OTHER PUBLICATIONS

K-Log Catalog, Rectangular Table with peripheral stand at center right side of p. 62 1994-1995.

K-Log Catalog, Workstation #SN-48-2, center of p. 30 1994-1995.

Primary Examiner—James Gandy
Assistant Examiner—Linda Brooks
Attorney, Agent, or Firm—Suiter & Associates PC

[57] **CLAIM**

The ornamental design for a computer desk, as shown and described.

DESCRIPTION

FIG. 1 is a pictorial front view of the computer desk from a perspective slightly above and to the right of the computer desk;

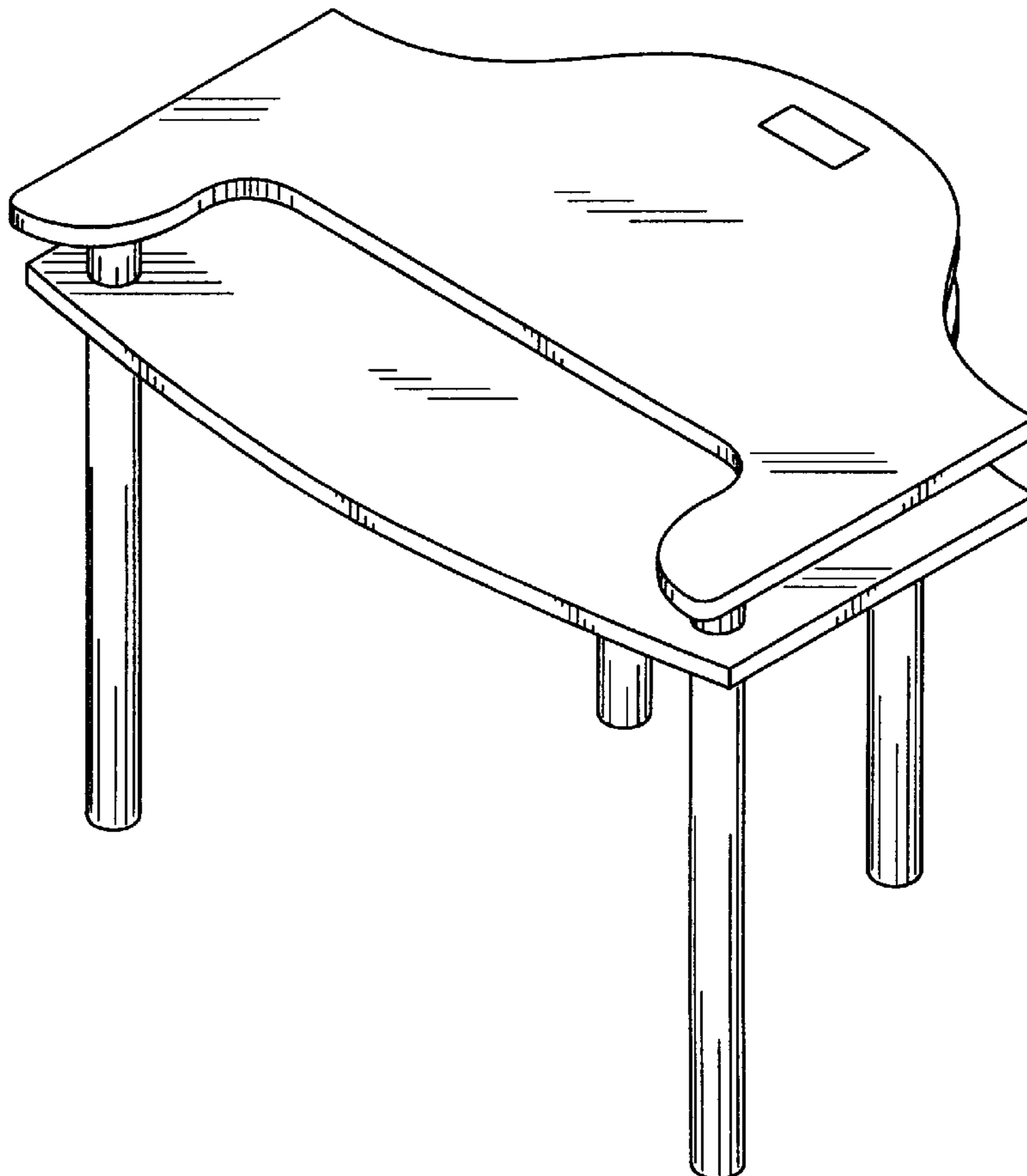
FIG. 2 is an exploded top plan view of the two horizontal surfaces of the computer desk shown separately for convenience of illustration;

FIG. 3 is a side elevational view of the computer desk, the opposite side being a mirror image;

FIG. 4 is a rear elevation view of the computer desk; and,

FIG. 5 is a top plan view of the computer desk, with four computer desks shown adjacent to it in broken lines for purposes of illustration only and forming no part of the claimed design;

1 Claim, 4 Drawing Sheets



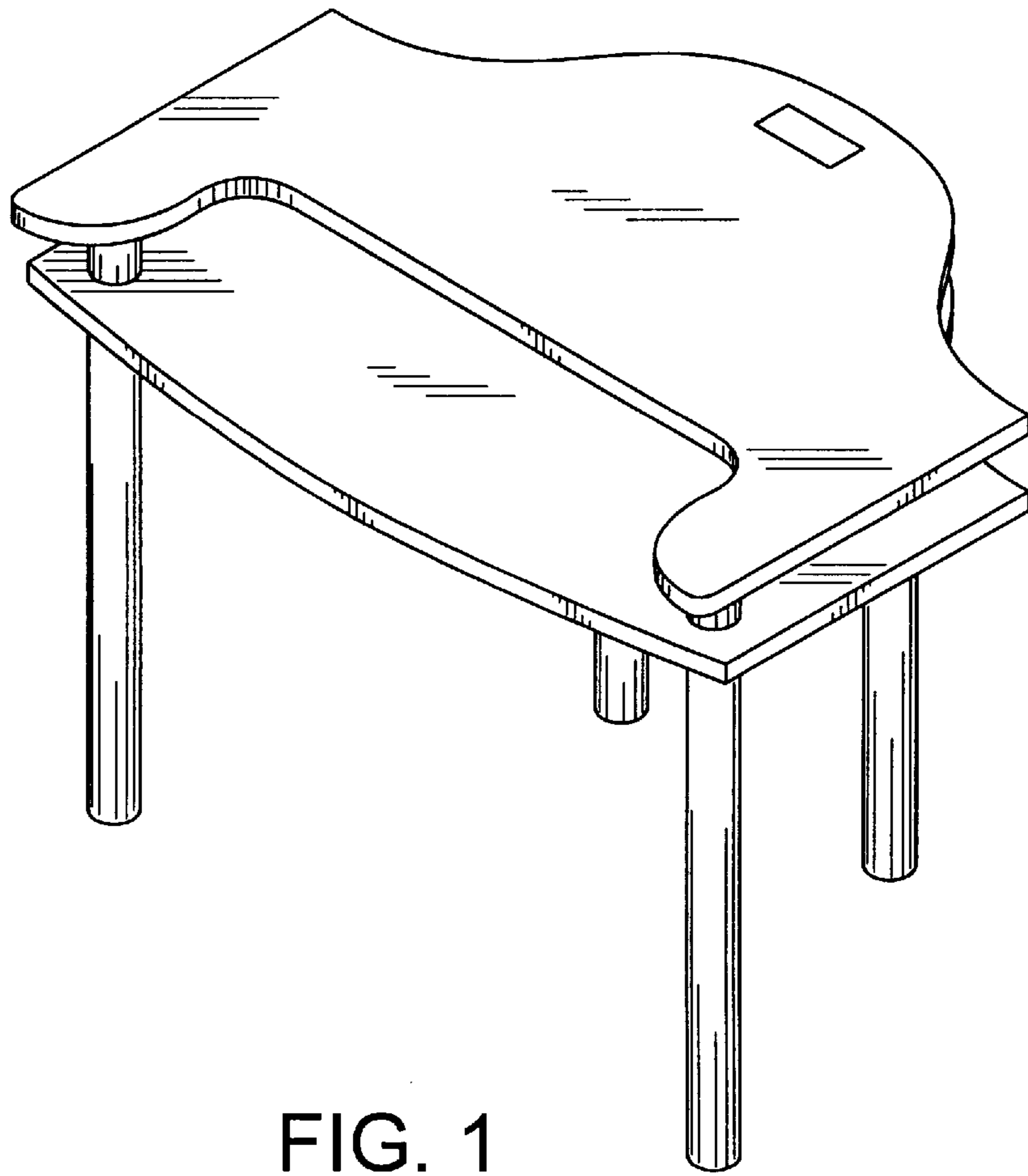


FIG. 1

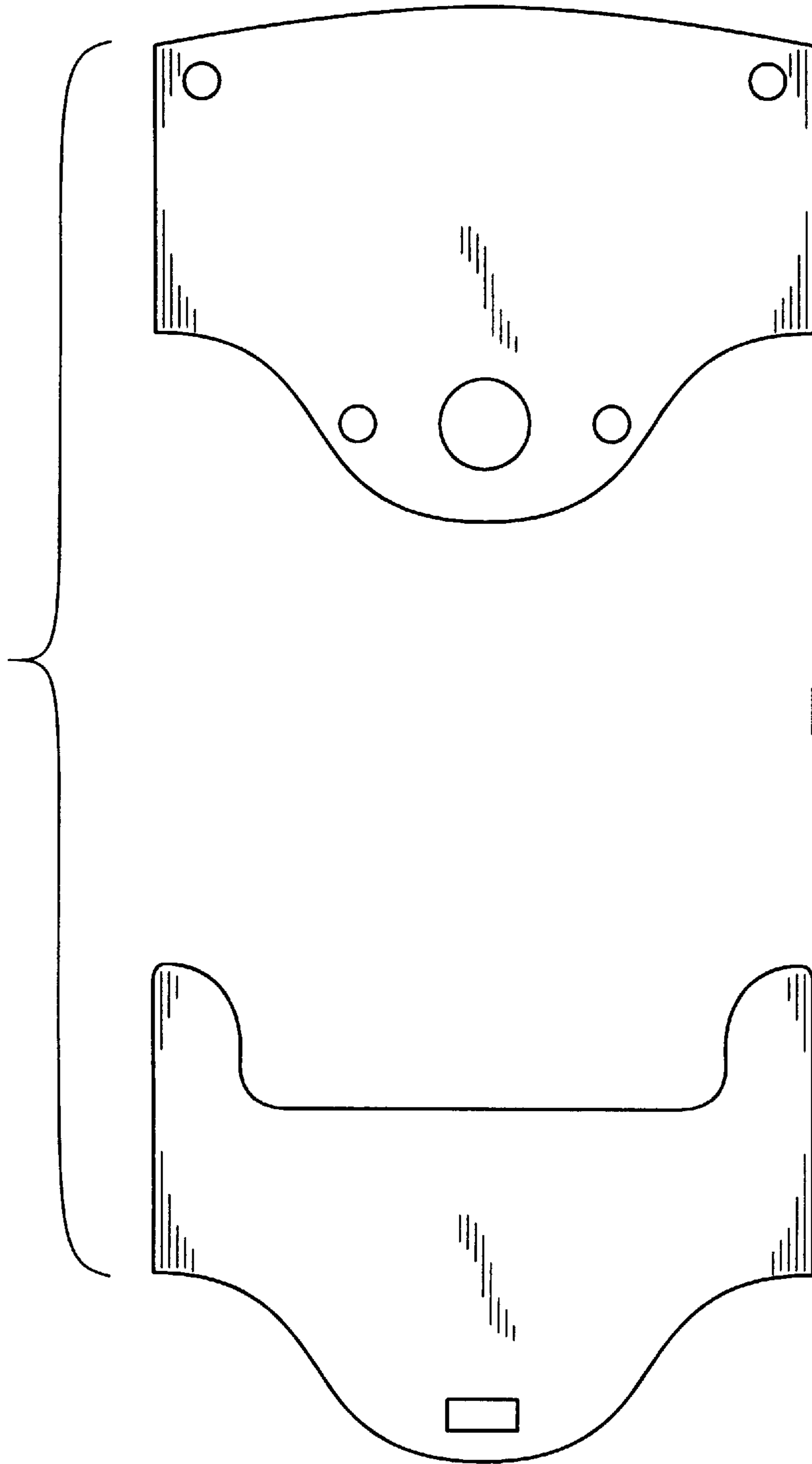


FIG. 2

FIG. 3

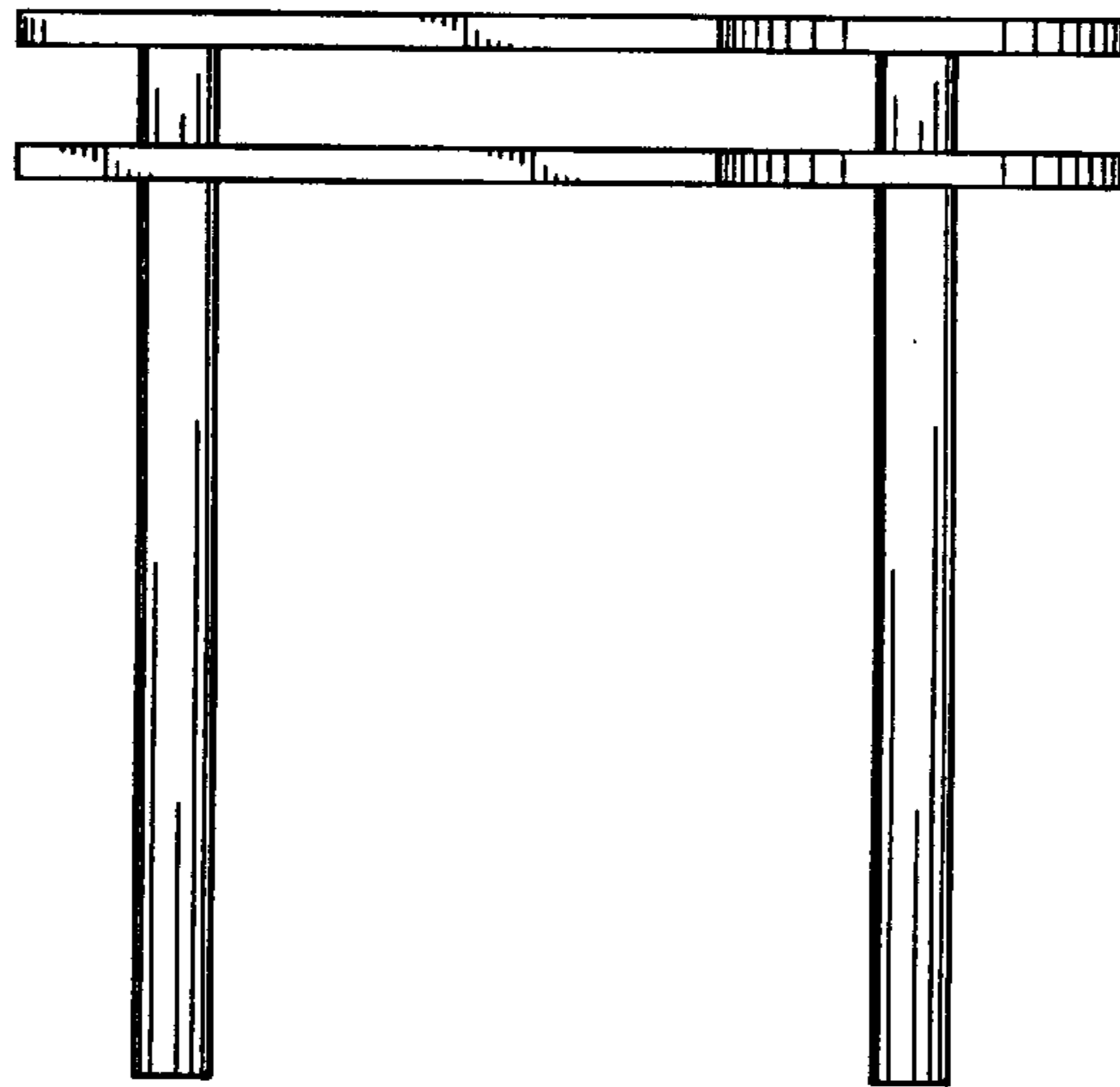
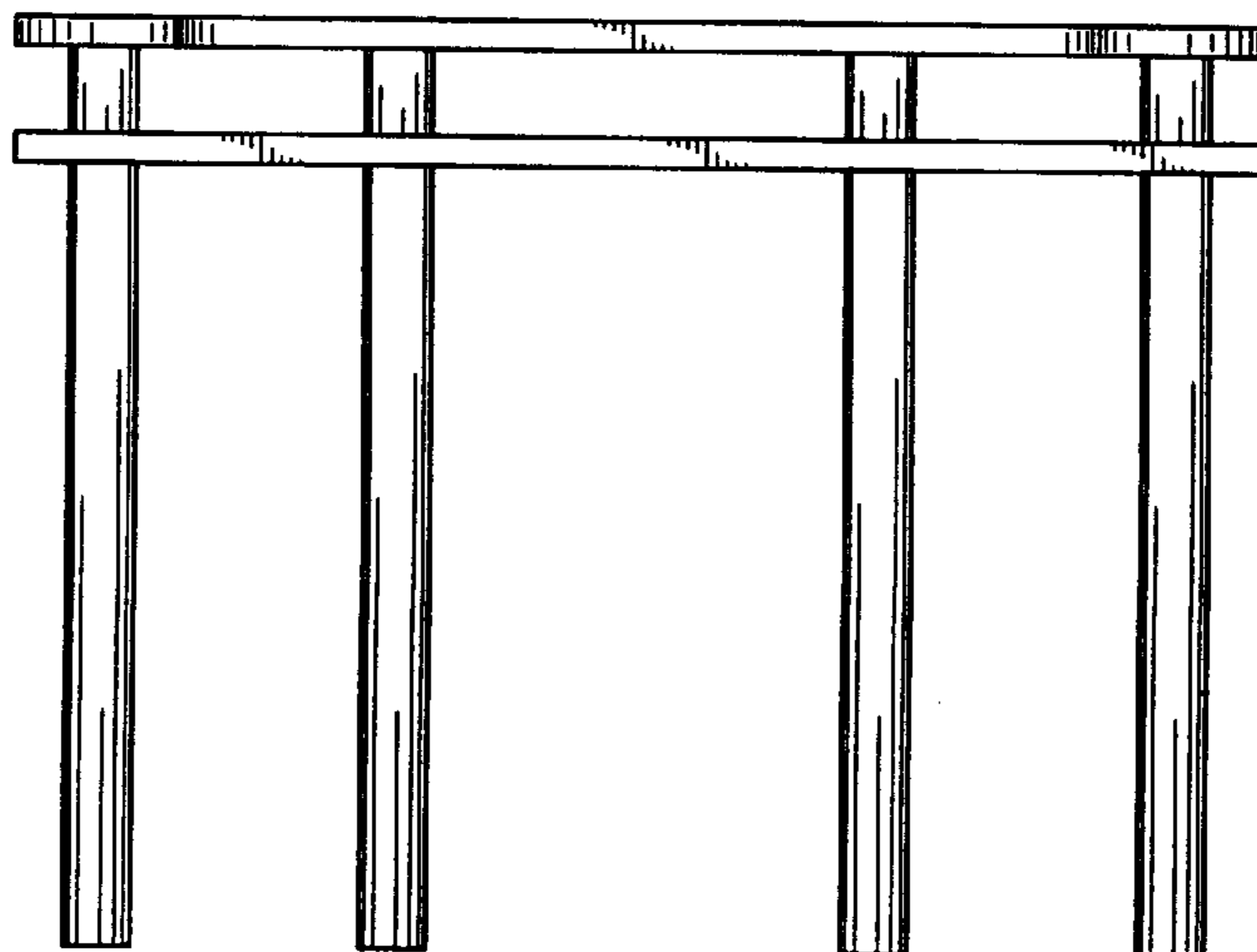


FIG. 4



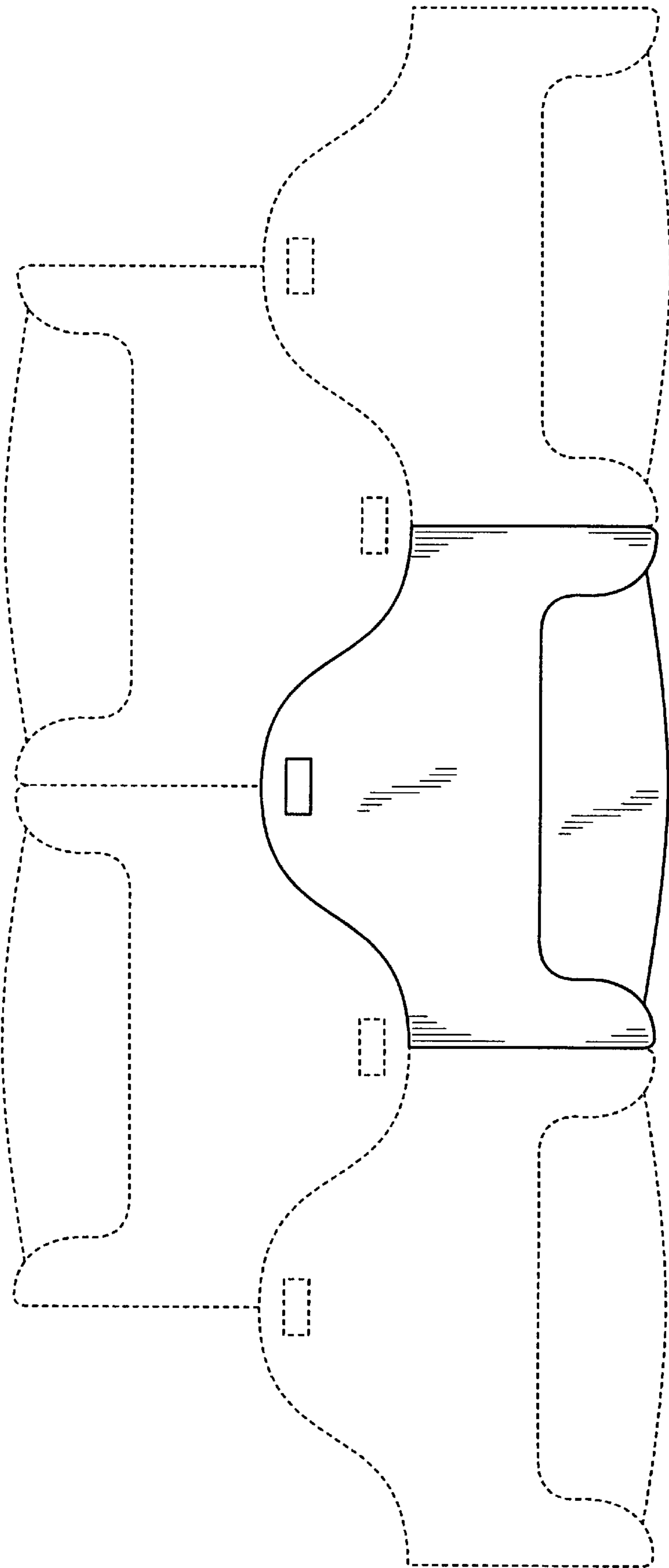


FIG. 5