



US00D407232S

United States Patent [19] Jaeb

[11] **Patent Number: Des. 407,232**

[45] **Date of Patent: **Mar. 30, 1999**

[54] **COMPUTER DESK**

[75] Inventor: **Michael S. Jaeb**, Hiram, Ohio

[73] Assignee: **The Little Tikes Company**, Hudson, Ohio

[**] Term: **14 Years**

[21] Appl. No.: **83,339**

[22] Filed: **Feb. 6, 1998**

[51] **LOC (6) Cl. 06-04**

[52] **U.S. Cl. D6/421**

[58] **Field of Search D6/420-428; 108/59, 108/60; 312/194-196, 223.2, 223.3**

[56] **References Cited**

U.S. PATENT DOCUMENTS

D. 208,296	8/1967	Bartley et al.	D6/421 X
D. 218,050	7/1970	Power	D6/421
D. 220,767	5/1971	Power	D6/421
D. 225,502	12/1972	Miller	D6/421
D. 225,871	1/1973	Crannell	D6/421
D. 230,660	3/1974	Petersen	D6/421
D. 232,607	9/1974	Kramer et al.	D6/421
D. 242,317	11/1976	Hofmann .	
D. 250,336	11/1978	Esslinger et al.	D14/44
D. 252,635	8/1979	Richgels	D6/421 X
D. 253,445	11/1979	Daniels	D6/421
D. 269,196	5/1983	Appel et al.	D21/121
D. 289,114	4/1987	Dickson	D6/421
D. 358,434	5/1995	Brown et al.	D21/121
D. 367,568	3/1996	Strayer	D6/422
D. 381,836	8/1997	Martin	D6/428
4,345,803	8/1982	Heck	312/194
5,322,025	6/1994	Sherman et al.	108/147

OTHER PUBLICATIONS

Pp. 84 and 88, Computer desks; Dealers Office Equipment Inc., 19300 Janacek Court, Waukesha, Wisconsin 53186. Publication date Apr. 1992.

Catalog page, Computer desks: Dealers Office Equipment Inc., 19300 Janacek Court, Waukesha, Wisconsin 53186. Publication date Apr., 1992.

P. 70, Computer desks; Global Computer Supplies, 9139 Hemlock Drive, Hempstead, New York 11550. Publication date Jul. 13, 1984.

Pp. 142, 158, 159, 162 and 163, Computer desks; Global Computer Supplies, 2318 East Del Amo Blvd., Dept. 31, Compton, California 90220. Publication date Jan., 1992.

Pp. 110, 111, 116, 117 and 119, Computer desks; Visible, A Subsidiary of Wallace Computer Services, Inc., 1750 Wallace Avenue, St. Charles, Illinois 60174. Publication date Fall/Winter 1992.

P. 211, Computer desk; Inmac, 2465 Augustine Drive, P.O. Box 58031, Santa Clara, California 95052-8031. Publication date Nov., 1987.

P. 85, Computer desks; Misco, One Misco Plaza, Holmdel, New Jersey 07733. Publication date Apr., 1992.

Pp. 60, 61 and 78, Computer desks; United Stationers, Supply Company, 2200 East Golf Road, Des Plaines, Illinois 60016. Publication date 1988.

P. 81, Computer desks; United Stationers Supply Company, 2200 East Golf Road, Des Plaines, Illinois 60016. Published at least as early as Feb., 1994.

Pp. 75, 81 and 83, Computer desks; Uarco Business Products, UARCO Incorporated, 121 North 9th Street, DeKalb, Illinois 60115. Publication date Spring 1992.

Pp. 29 and 36, Computer desks; Sauder Woodworking Co., 502 Middle Street, Archbold, Ohio 43502. Publication date Dec., 1995.

P. 163, Computer desks; Global Computer Supplies, 2318 East Del Amo Boulevard, Dept. 31, Compton, California 90220. Publication date Jan., 1992.

P. 116, Desk; The Little Tikes Company, 2180 Barlow Road, Hudson, Ohio 44236. Publication date 1992.

Primary Examiner—Carmen H. Vales-Lado

Attorney, Agent, or Firm—Richard B. O'Planick; Timothy A. Nathan

[57] **CLAIM**

The ornamental design for a computer desk, as shown and described.

DESCRIPTION

FIG. 1 is a top right front perspective view of a computer desk showing my new design;

FIG. 2 is a front elevational view thereof;

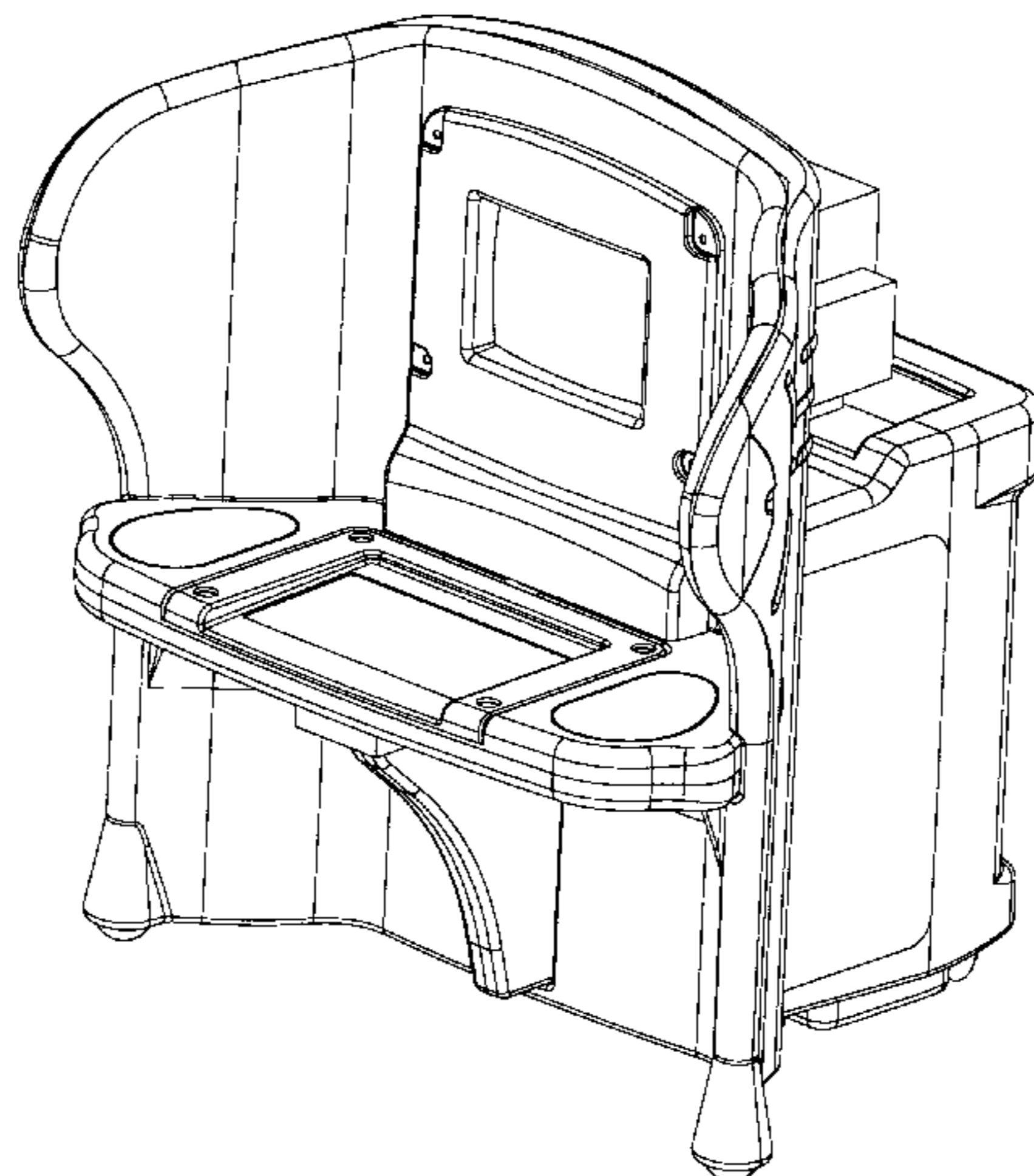


FIG. 3 is a left side elevational view thereof; the right side elevational view being a mirror image;

FIG. 4 is a top plan view thereof;

FIG. 5 is a bottom plan view thereof; and,

FIG. 6 is a rear elevational view thereof.

1 Claim, 5 Drawing Sheets

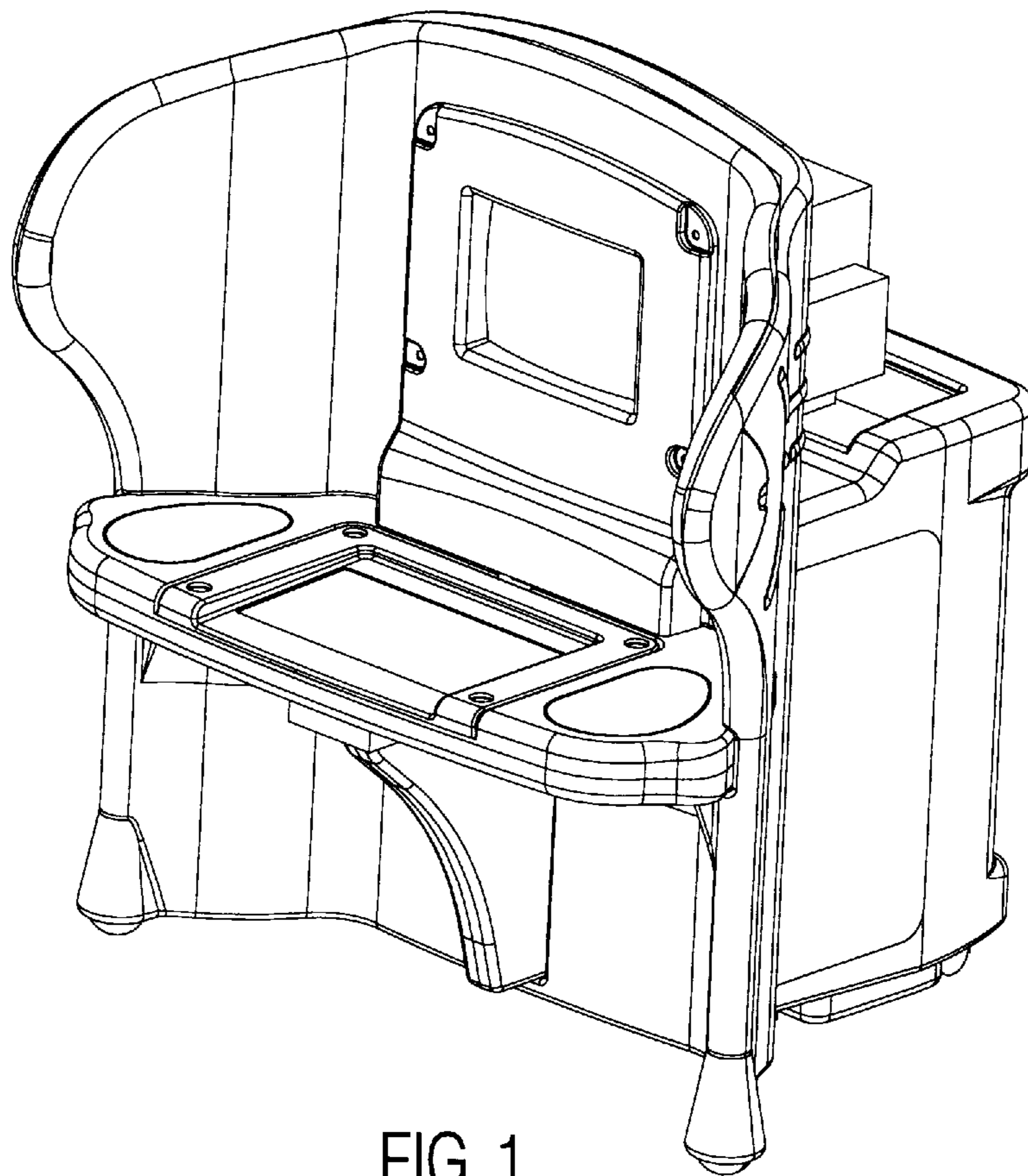


FIG. 1

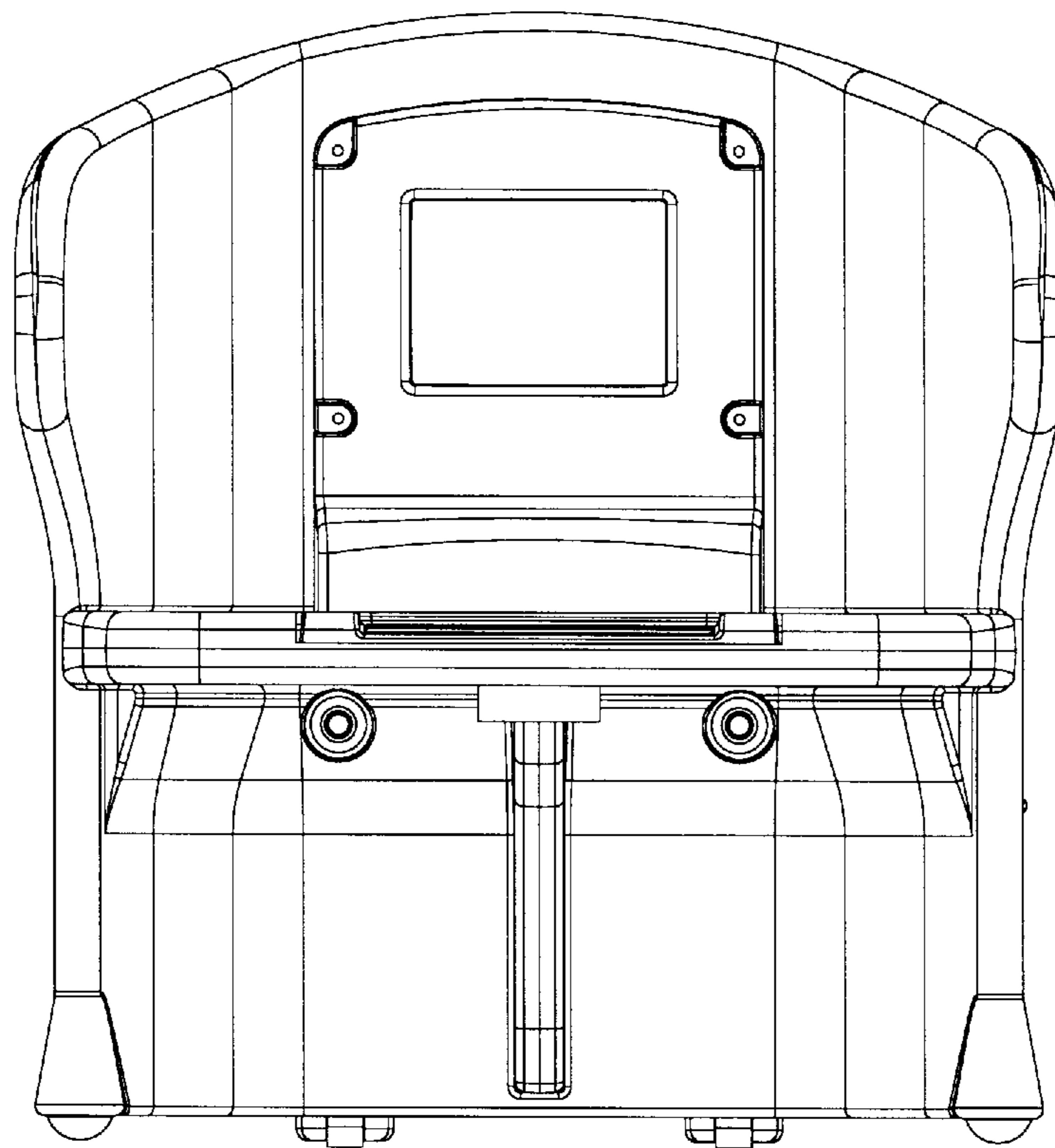


FIG. 2

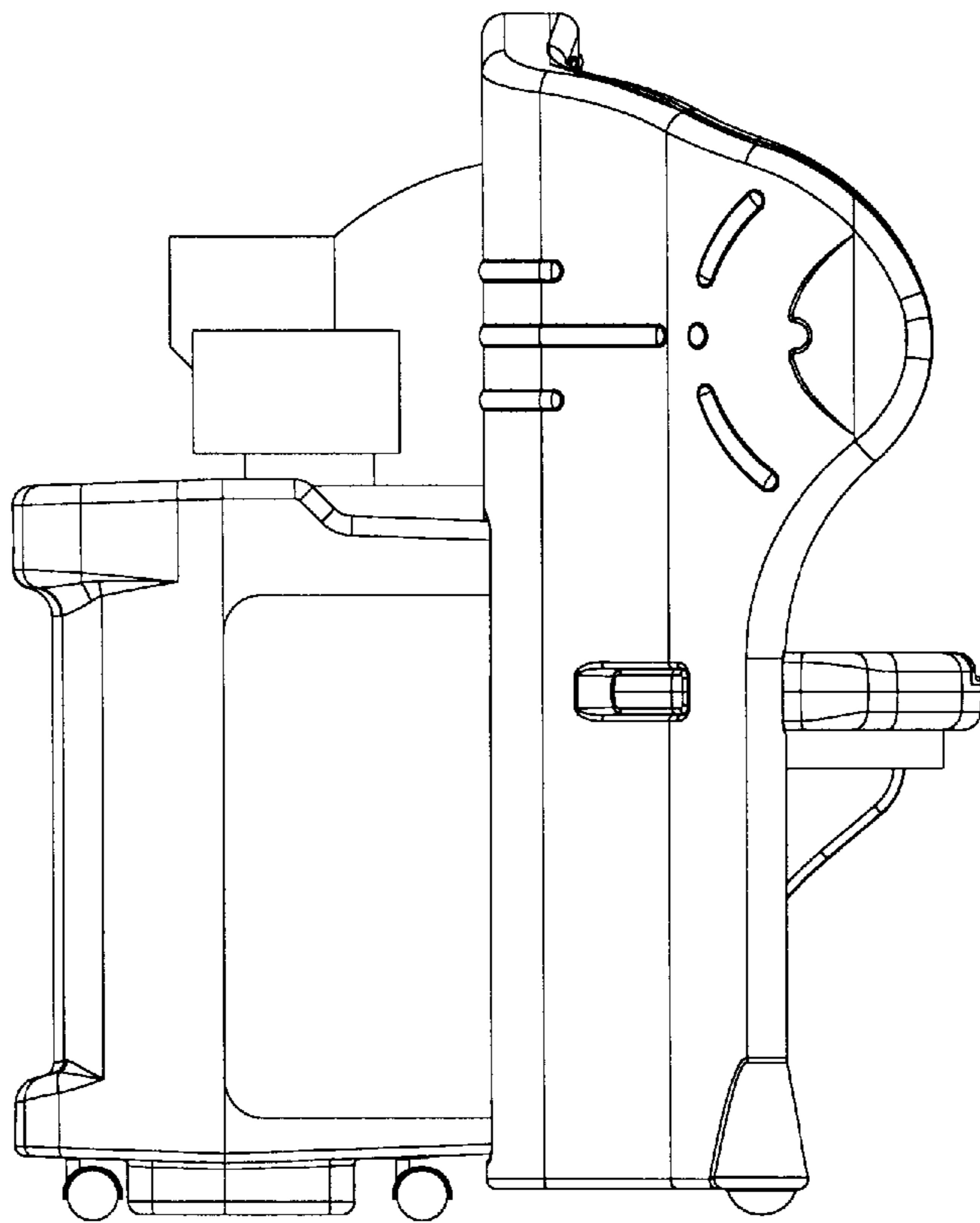


FIG. 3

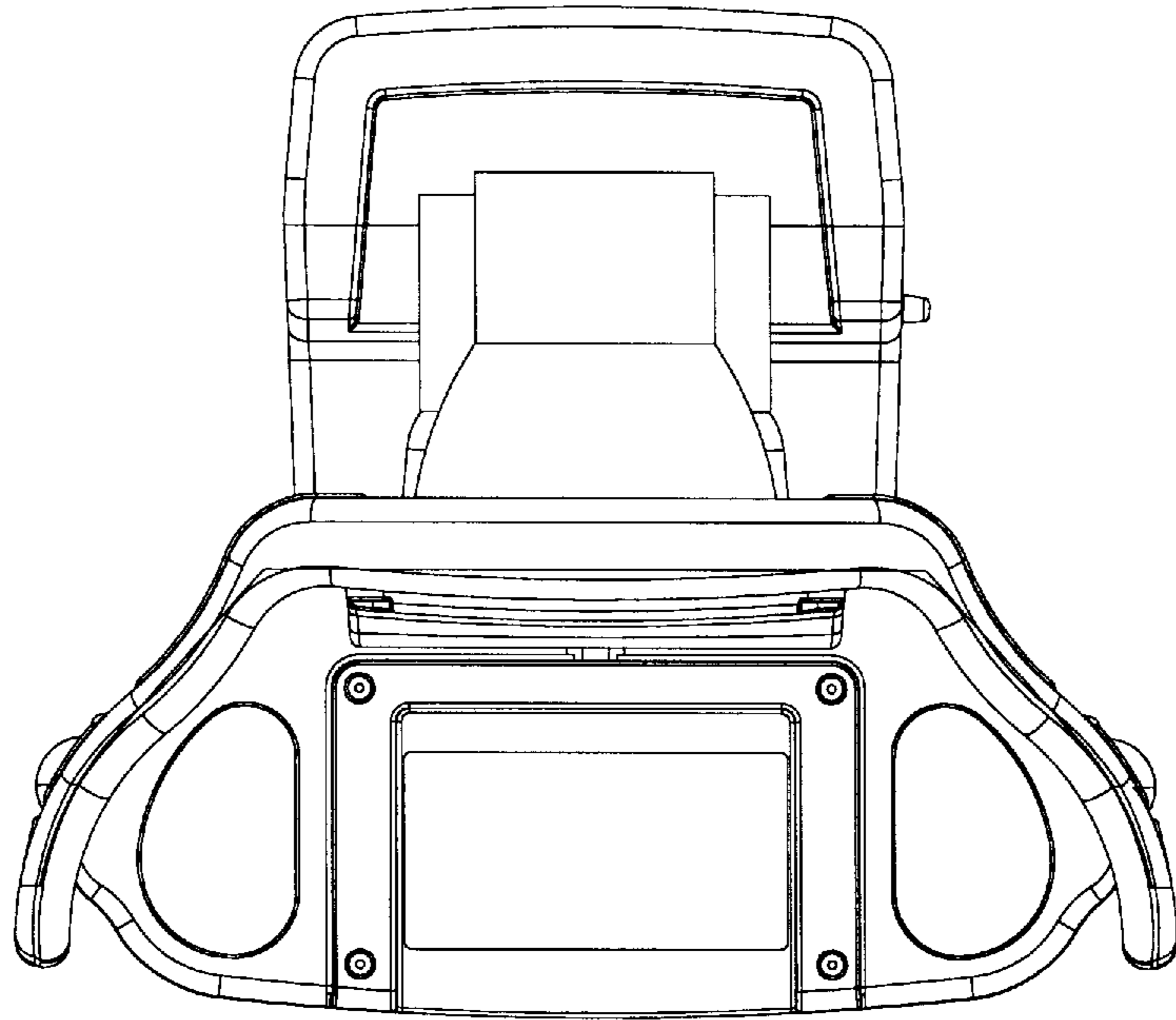


FIG. 4

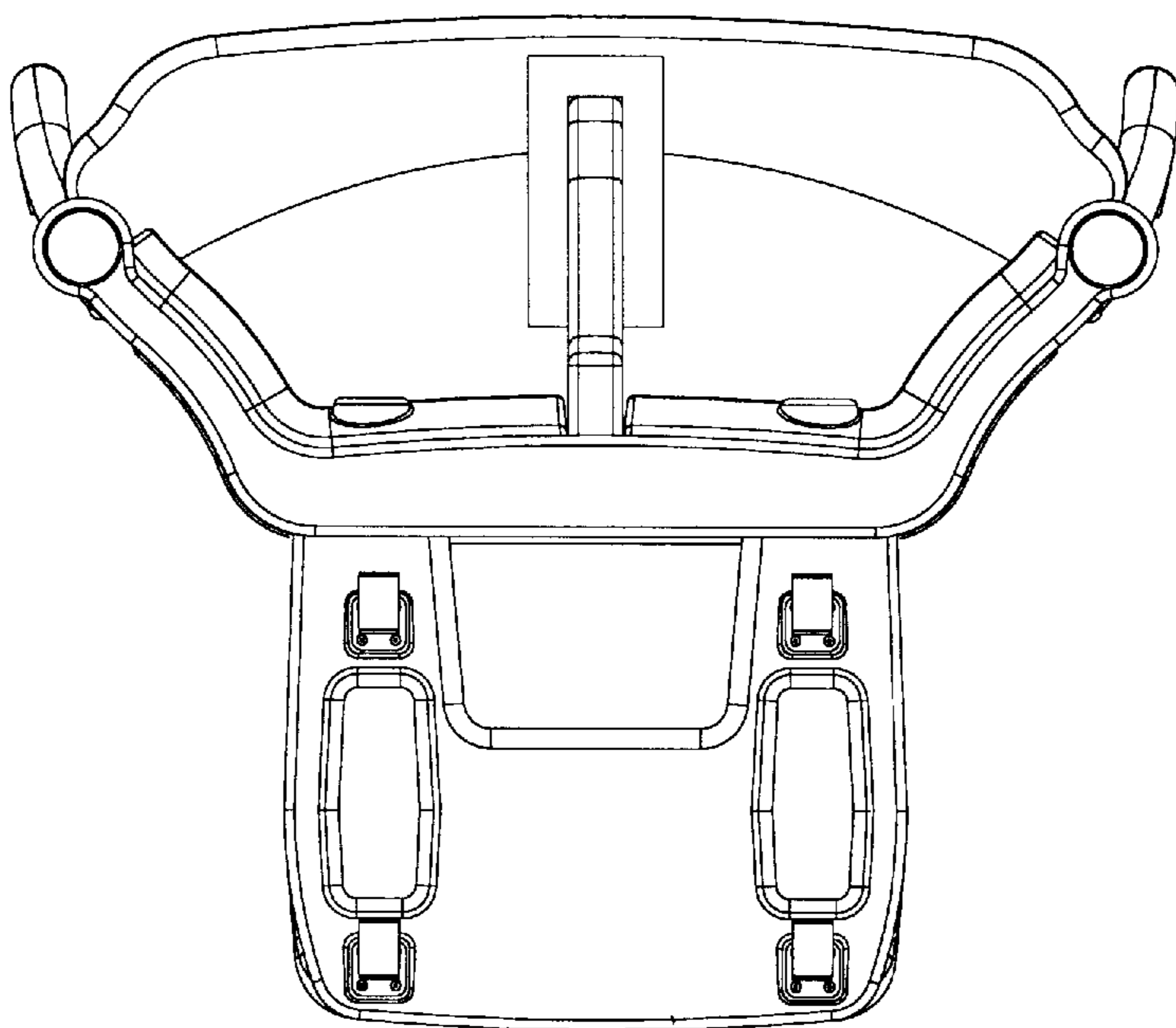


FIG. 5

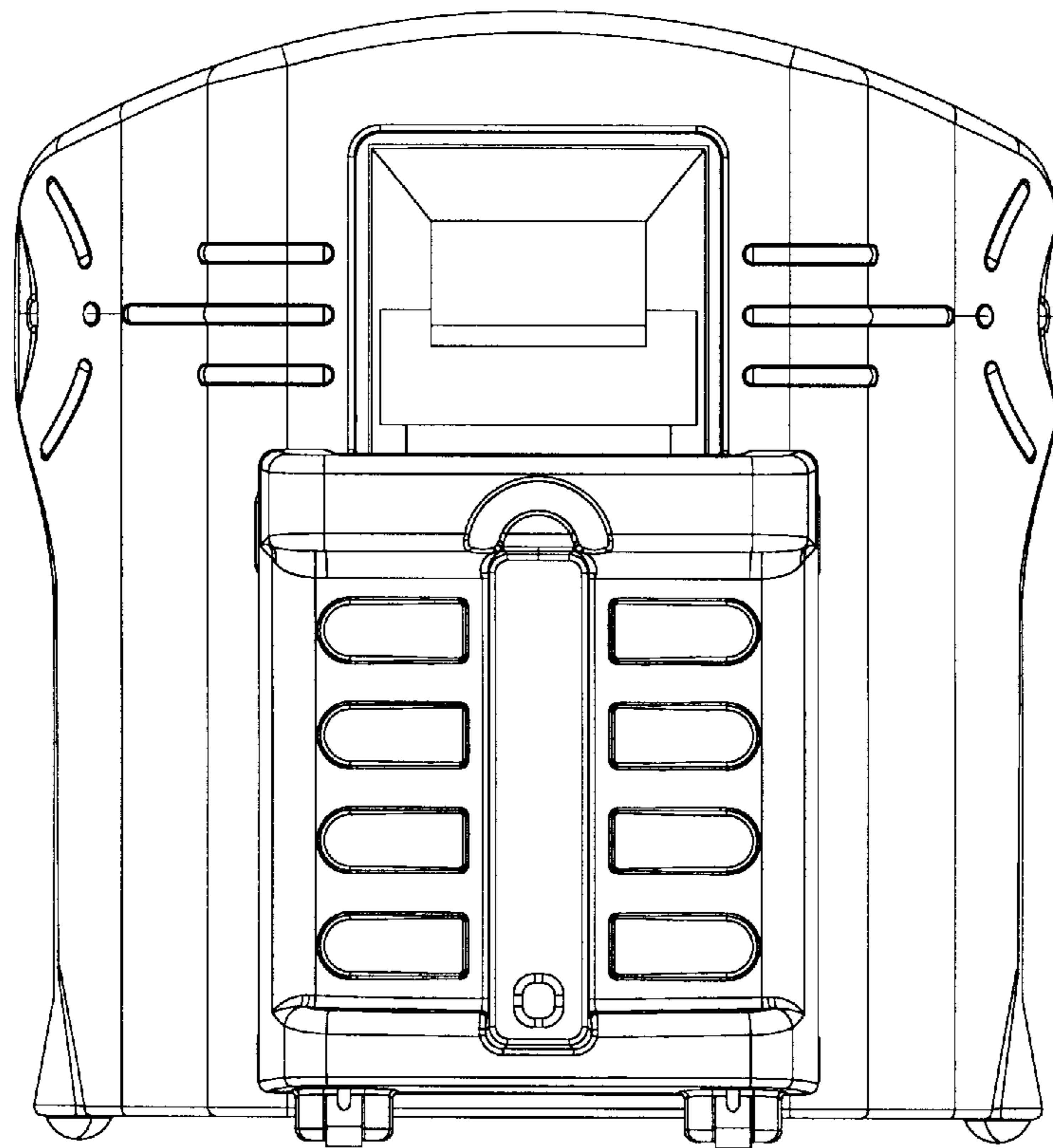


FIG. 6