



US00D407231S

United States Patent [19] Hutton

[11] **Patent Number: Des. 407,231**

[45] **Date of Patent: **Mar. 30, 1999**

[54] **SEAT**

[75] Inventor: **John Hutton**, New York, N.Y.

[73] Assignee: **Donghia Furniture Co., Ltd.**, New York, N.Y.

[**] Term: **14 Years**

[21] Appl. No.: **81,887**

[22] Filed: **Jan. 9, 1998**

[51] **LOC (6) Cl.** **06-01**

[52] **U.S. Cl.** **D6/381; D6/334**

[58] **Field of Search** D6/334, 335, 336,
D6/364, 371, 373, 381, 500, 501, 502;
5/12.1; 297/232

[56] **References Cited**

U.S. PATENT DOCUMENTS

D. 90,917	10/1933	Lane	D6/381
D. 367,180	2/1996	Natuzzi et al.	D6/381
D. 371,251	7/1996	Lewis	D6/334
D. 373,484	9/1996	Natuzzi et al.	D6/381
D. 373,485	9/1996	Natuzzi et al.	D6/381
D. 376,925	12/1996	Paus	D6/381
D. 379,035	5/1997	Gleason	D6/334
D. 379,036	5/1997	Natuzzi et al.	D6/381
D. 385,122	10/1997	Hutton	D6/381
D. 388,970	1/1998	Natuzzi et al.	D6/381
D. 394,558	5/1998	Hutton	D6/334
1,749,708	3/1930	Levy	5/12.1

OTHER PUBLICATIONS

St. James Club Chair 4001 and St. James Ottoman depicted in a Donghia Catalog page, 1989, Donghia Furniture Company, Ltd., New York, New York.

St. James Sofa 4003 depicted in a Donghia Catalog page, 1990, Donghia Furniture Company, Ltd., New York, New York.

Madison Club Sofa depicted in a Donghia Catalog page, 1989, Donghia Furniture Company, Ltd., New York, New York.

Madison Club Chair 4101 and Madison Ottoman 4100 depicted in a Donghia Catalog page, 1980, Donghia Furniture Company, Ltd., New York, New York.

Primary Examiner—Gary D. Watson
Attorney, Agent, or Firm—Heslin & Rothenberg, P.C.

[57] **CLAIM**

The ornamental design for a seat, as shown and described.

DESCRIPTION

FIG. 1 is a front elevational view of the seat comprising my new design;

FIG. 2 is a top plan view thereof;

FIG. 3 is a side elevational view thereof, the opposite side elevational view being a mirror image;

FIG. 4 is a back elevational view thereof;

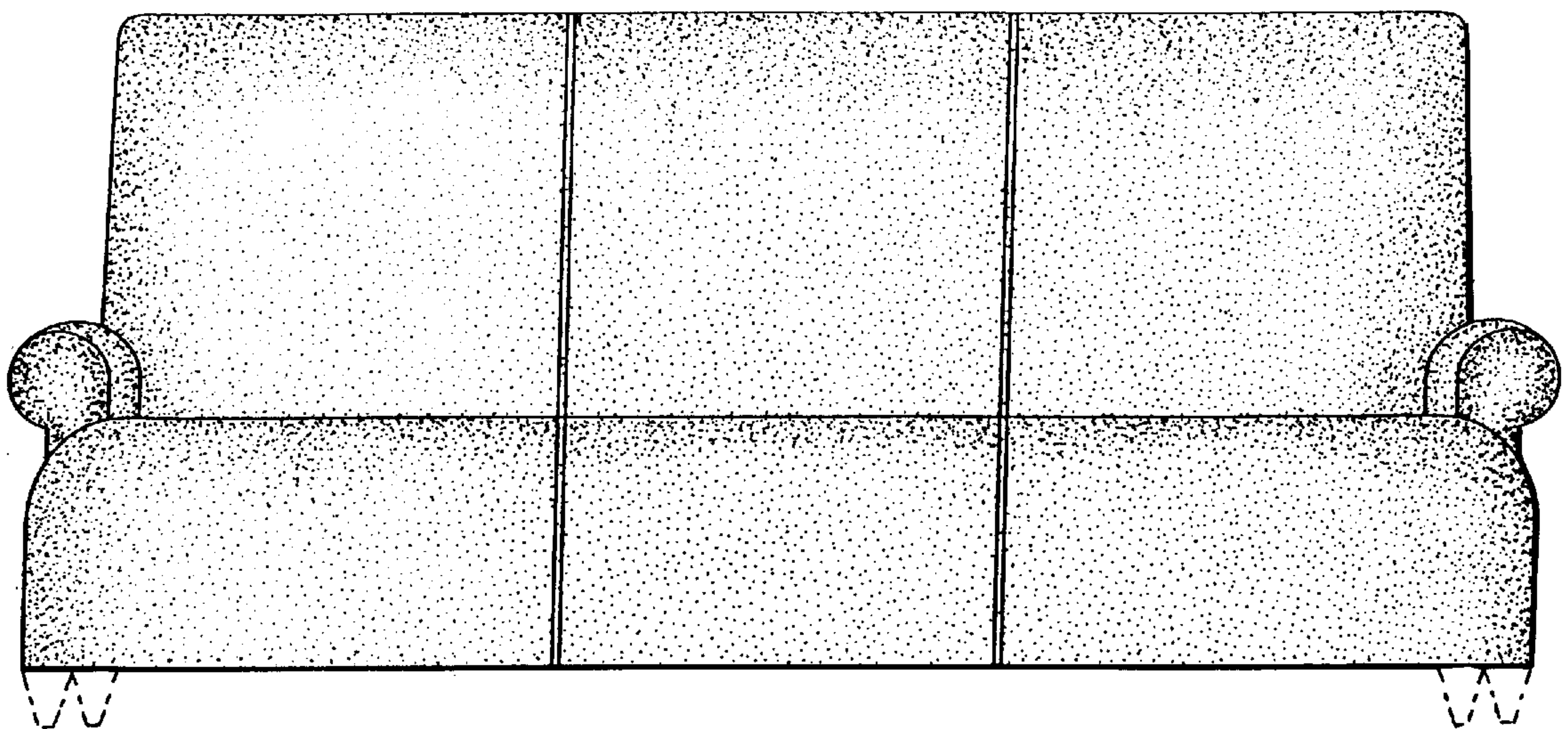
FIG. 5 is a front elevational view of an alternate embodiment of the seat comprising my new design;

FIG. 6 is a side elevational view of the seat of FIG. 5, the opposite side elevational view being a mirror image;

FIG. 7 is a back elevational view of the seat of FIG. 5; and, FIG. 8 is a top plan view of the seat of FIG. 5.

The broken line showing of leg members is for illustrative purposes only and forms no part of the claimed design.

1 Claim, 3 Drawing Sheets



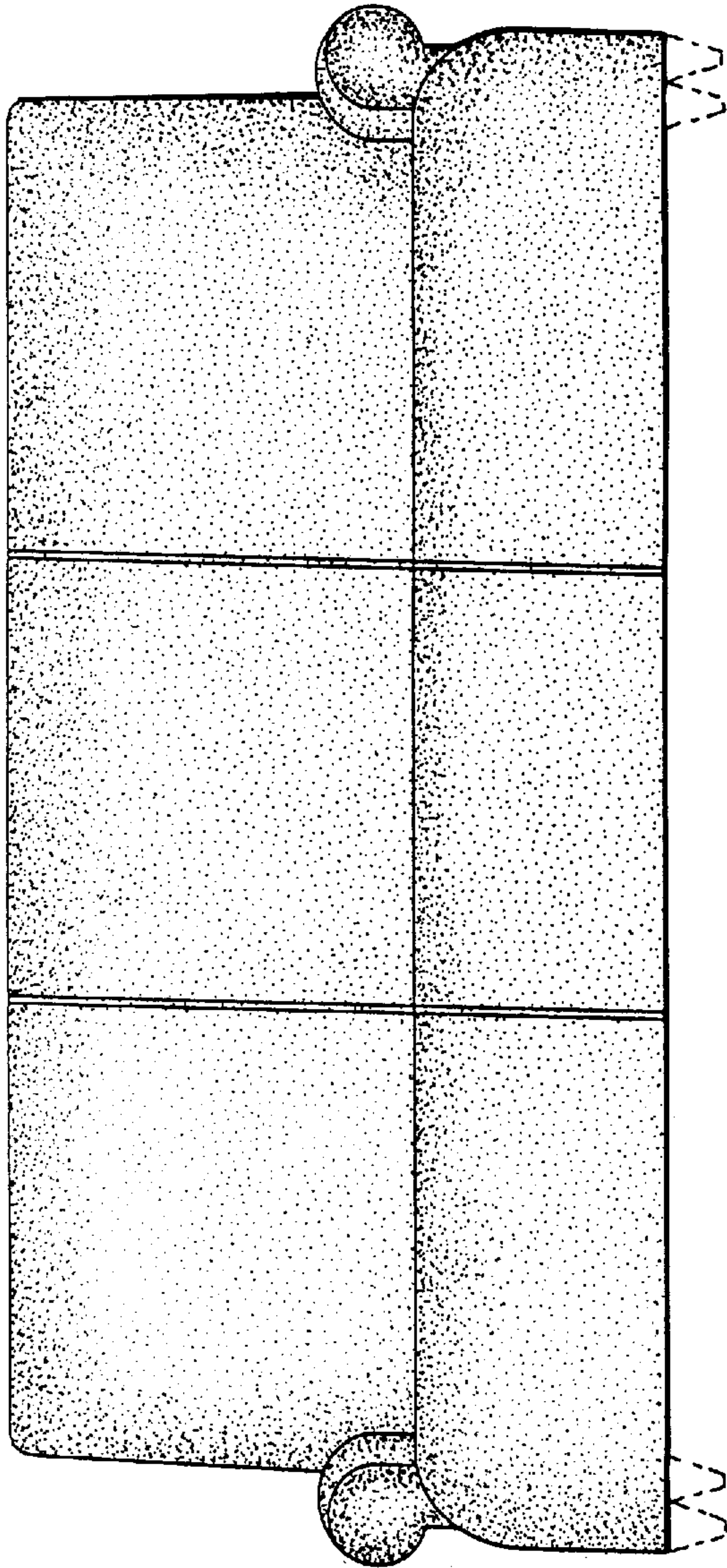


FIG. 1

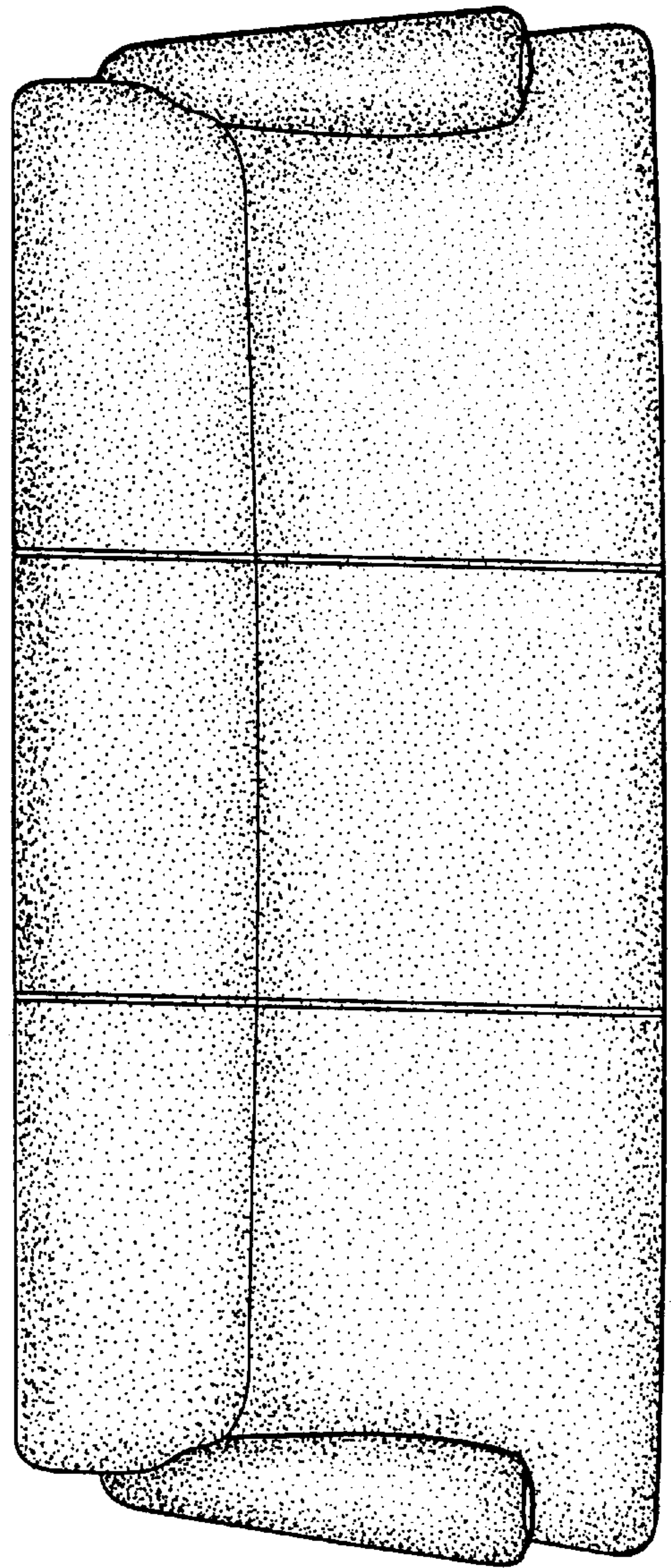


FIG. 2

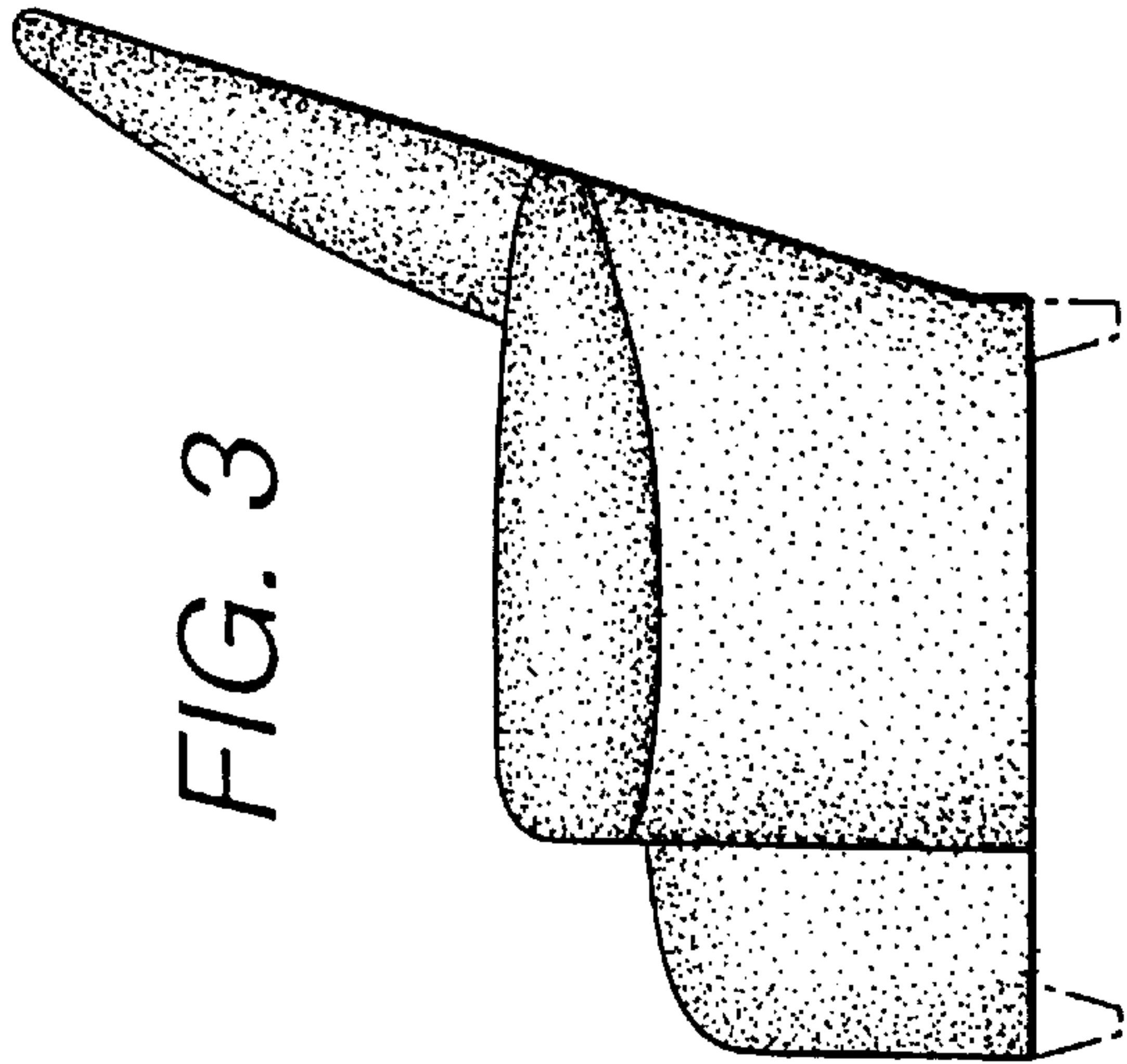


FIG. 3

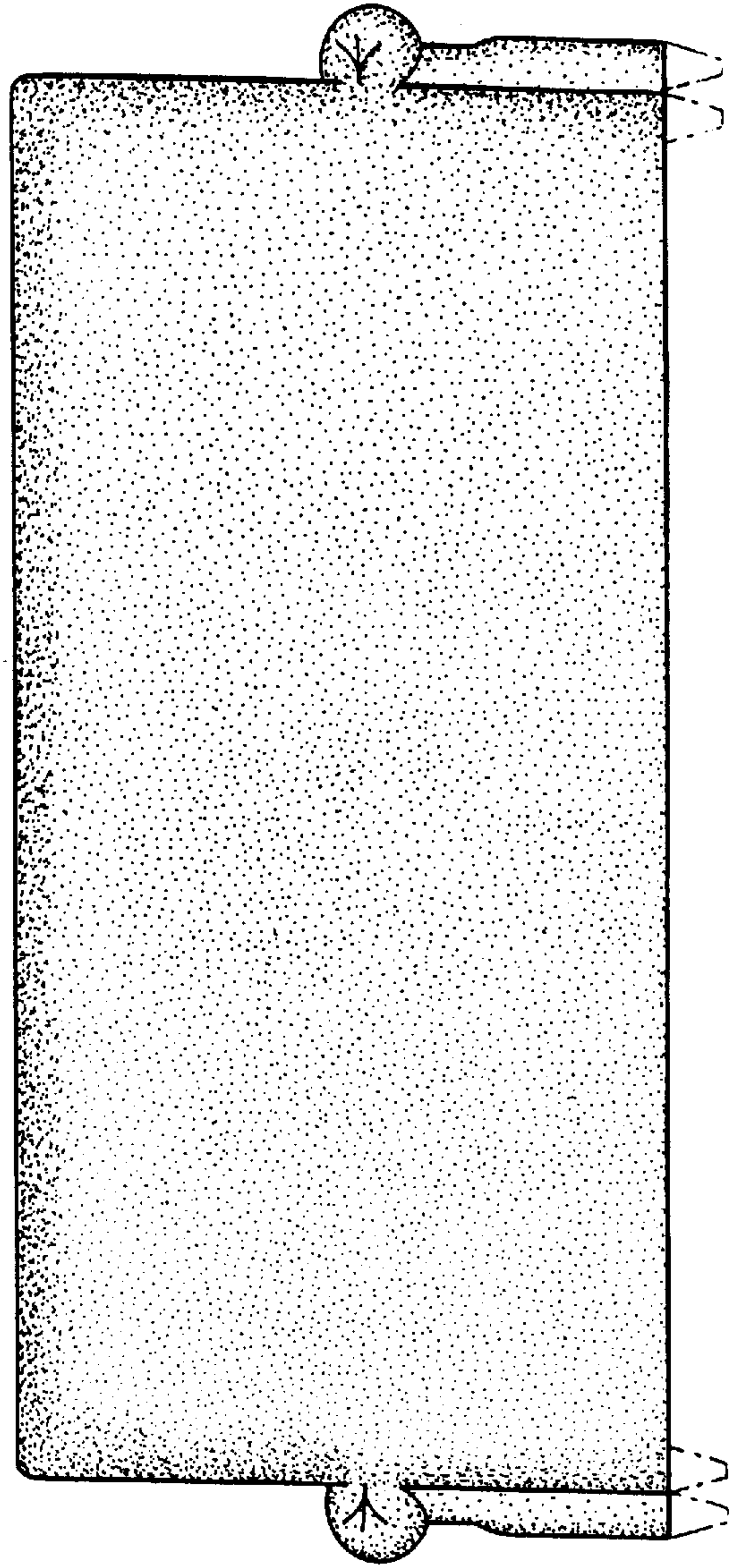


FIG. 4

FIG. 7

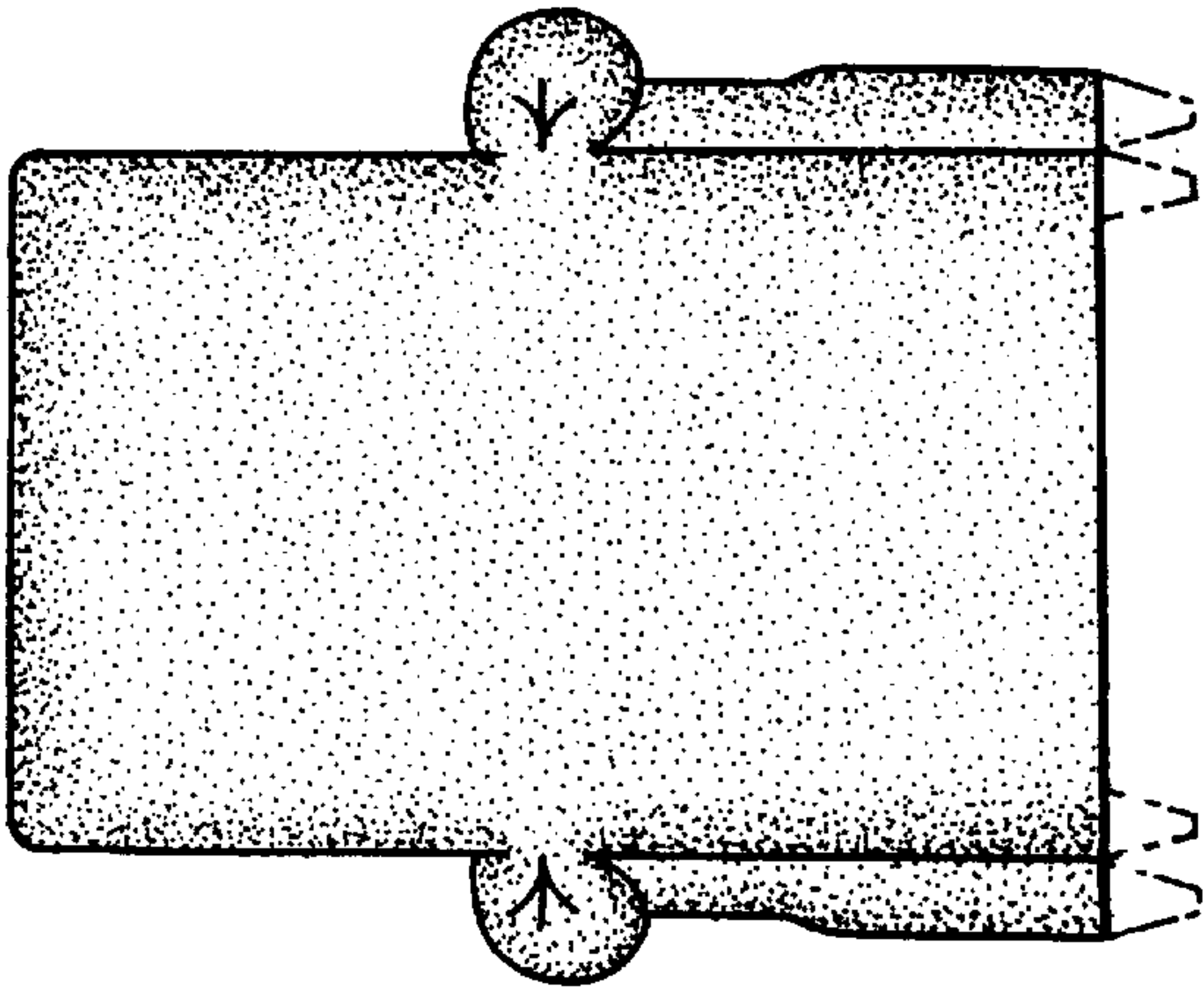


FIG. 6

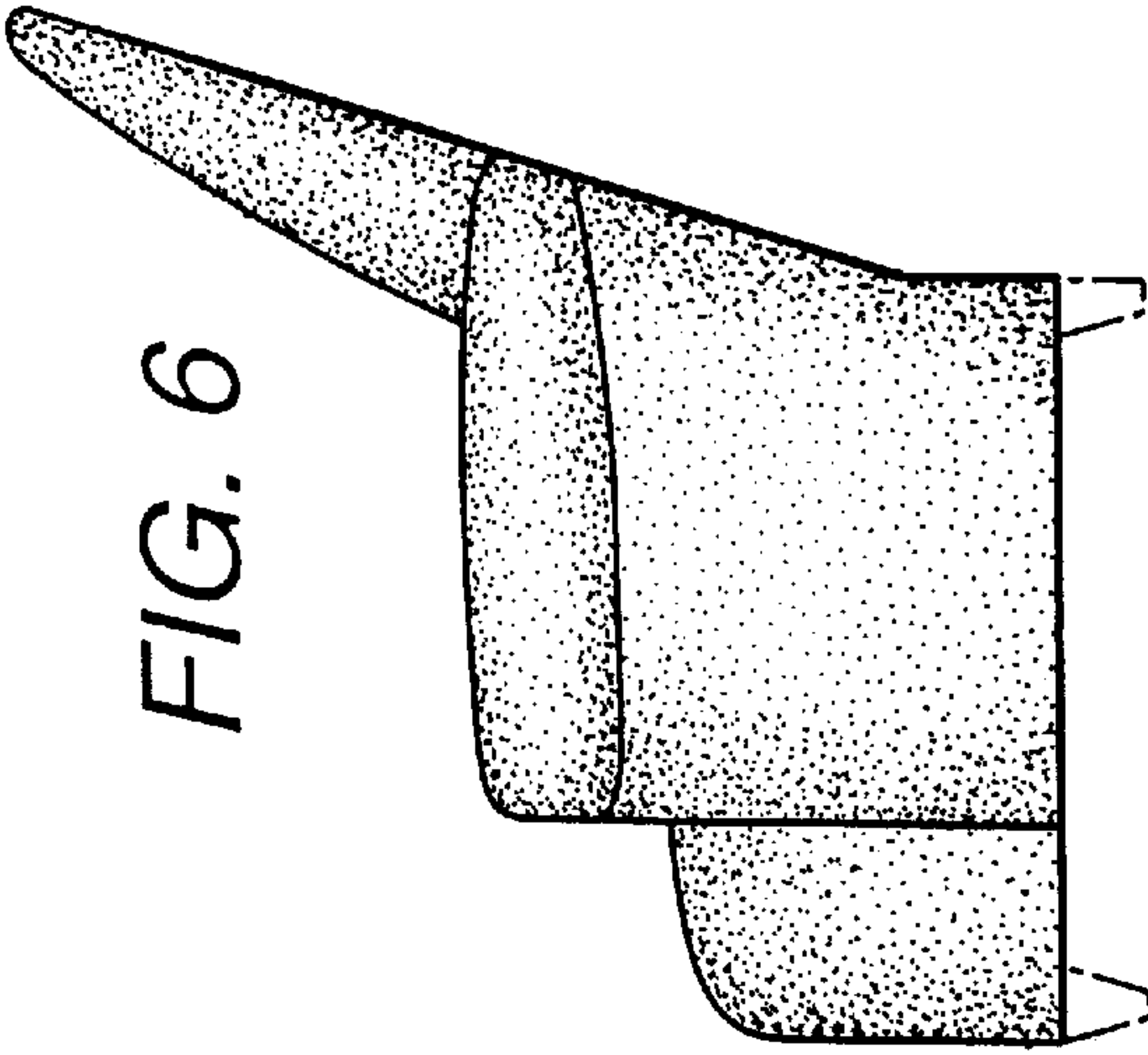


FIG. 5

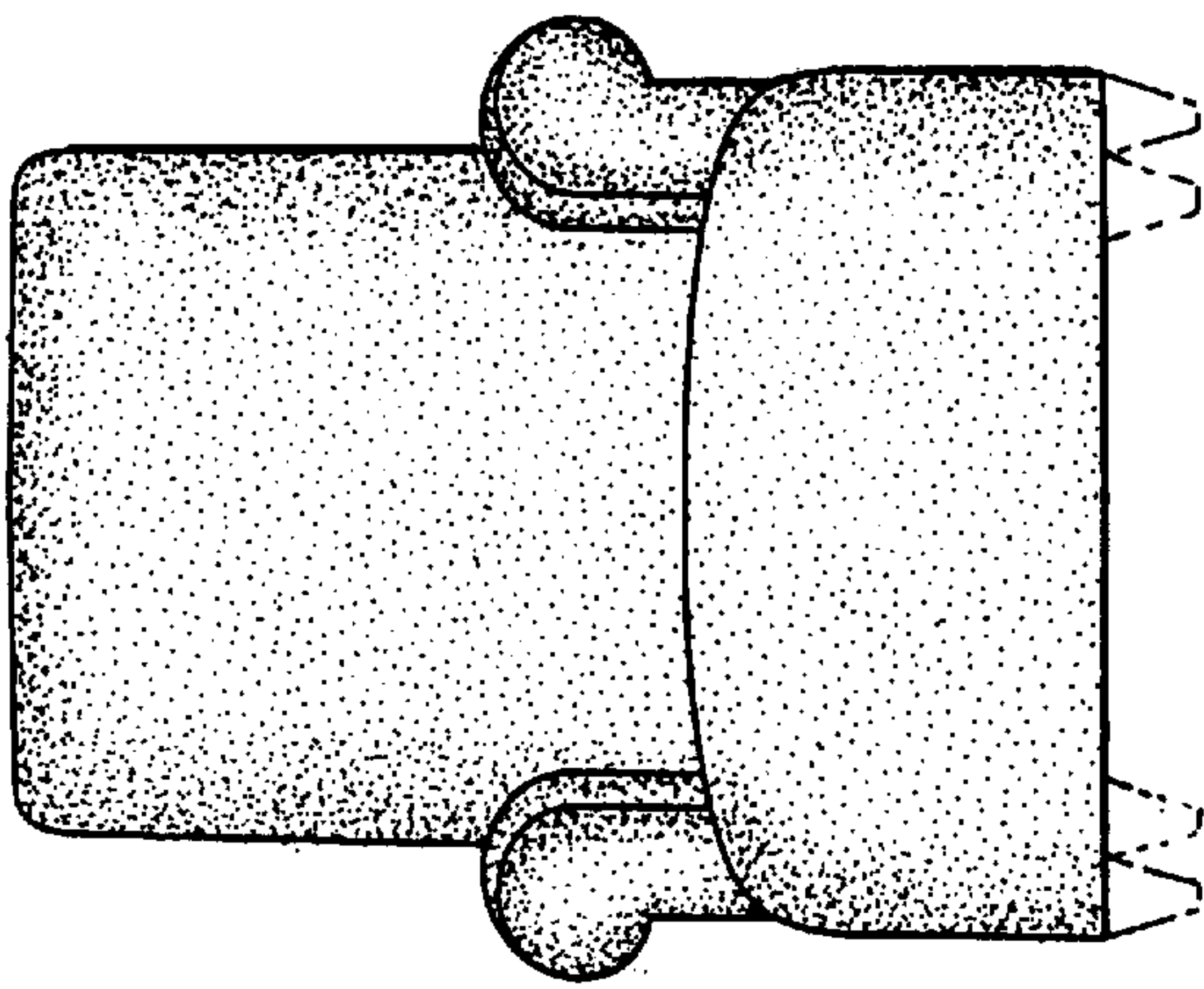


FIG. 8

