



US00D407218S

**United States Patent** [19]  
**Luddemann**

[11] **Patent Number: Des. 407,218**

[45] **Date of Patent: \*\*Mar. 30, 1999**

[54] **STORAGE CONTAINER**

[75] Inventor: **Klaus Luddemann**, Whitby, Canada

[73] Assignee: **G. D. Hanna Incorporated**, Ontario, Canada

[\*\*] Term: **14 Years**

[21] Appl. No.: **46,772**

[22] Filed: **Nov. 16, 1995**

[30] **Foreign Application Priority Data**

Nov. 16, 1995 [CA] Canada ..... 1995-2577

[51] **LOC (6) Cl.** ..... **03-01**

[52] **U.S. Cl.** ..... **D3/269; D3/276; D3/273; D3/279**

[58] **Field of Search** ..... D3/269, 273, 274, D3/276, 272, 279; D34/19, 20; 206/508, 511, 520; 220/355, 254, 404, 908, 338

[56] **References Cited**

**U.S. PATENT DOCUMENTS**

D. 294,080 2/1988 Golia et al. .... D3/272

D. 303,307	9/1989	Juergens	.....	D34/19
D. 312,524	11/1990	Juergens	.....	D34/19
D. 342,159	12/1993	Daouk	.....	D3/272
D. 351,502	10/1994	Weir et al.	.....	D3/273
5,186,330	2/1993	McClure	.....	206/508
5,235,795	8/1993	DeBusk	.....	220/335
5,356,027	10/1994	Craft et al.	.....	220/908

*Primary Examiner*—Philip S. Hyder  
*Attorney, Agent, or Firm*—D. Peter Hochberg; Mark Kusner

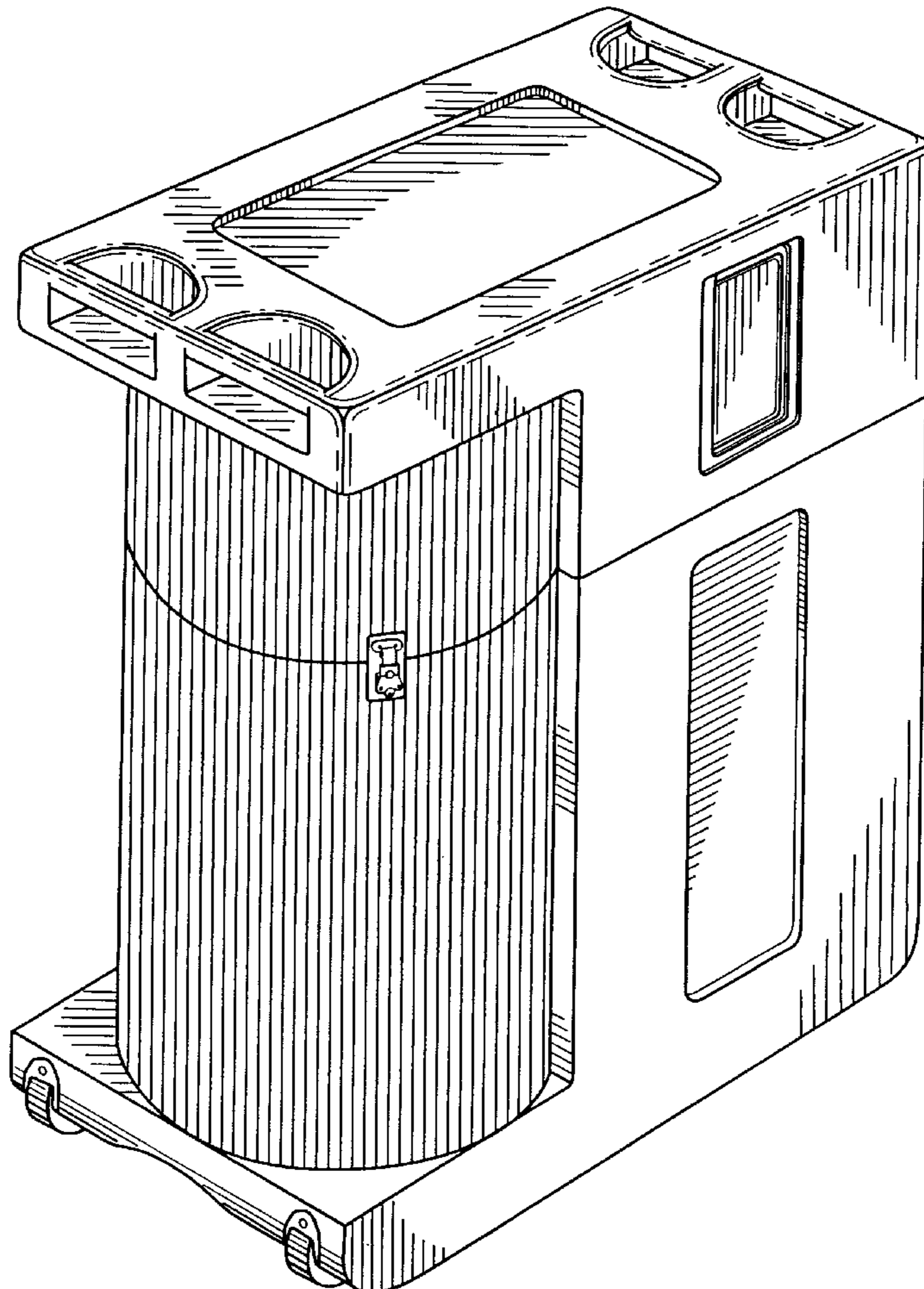
[57] **CLAIM**

The ornamental design for a storage container, as shown.

**DESCRIPTION**

FIG. 1 is a perspective view of a container showing my new design;  
FIG. 2 is a right side elevational view thereof;  
FIG. 3 is a front elevational view thereof;  
FIG. 4 is a rear elevational view thereof;  
FIG. 5 is a left side elevational view thereof; and,  
FIG. 6 is a top plan view thereof.

**1 Claim, 5 Drawing Sheets**



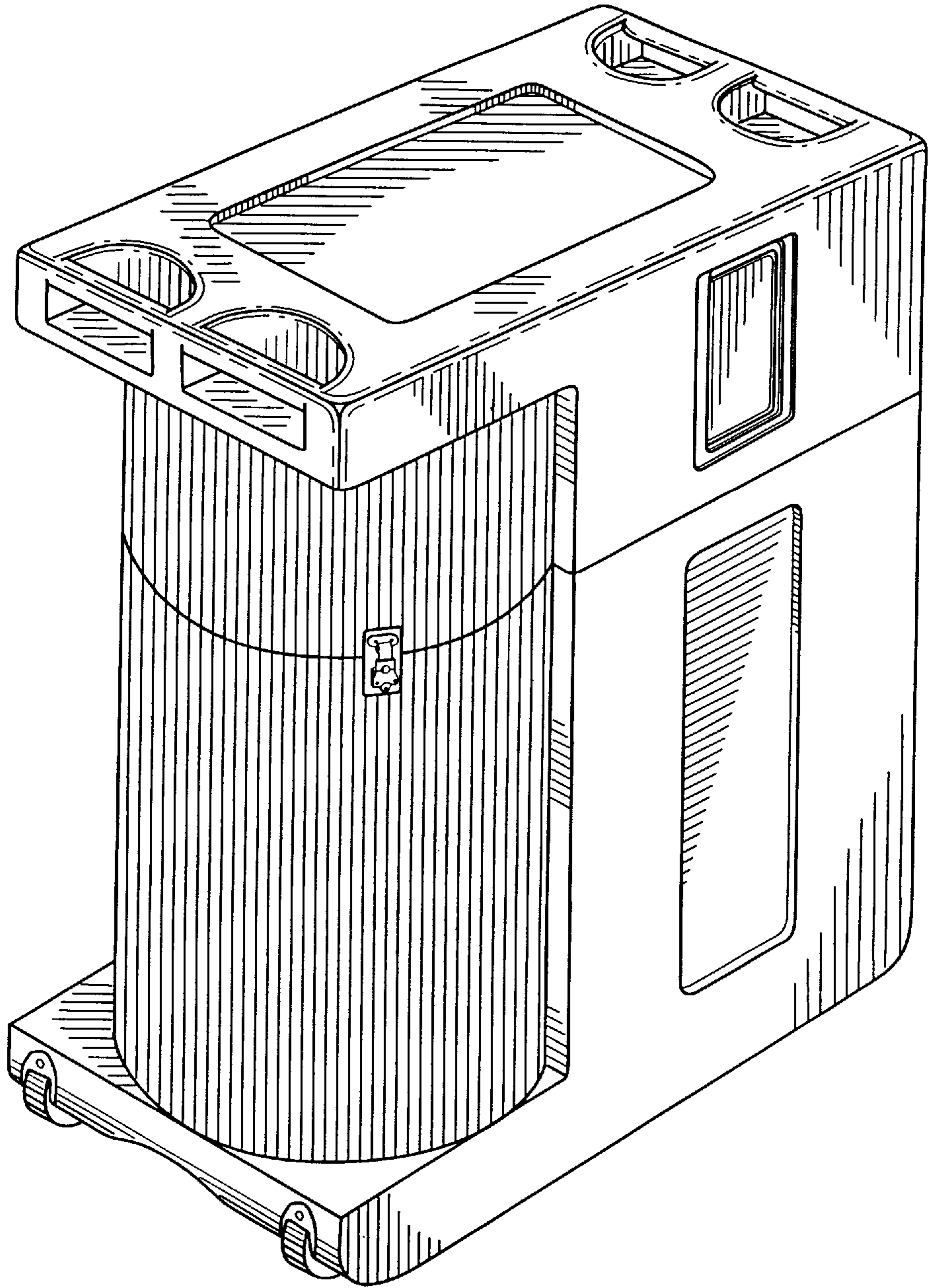


FIG. 1

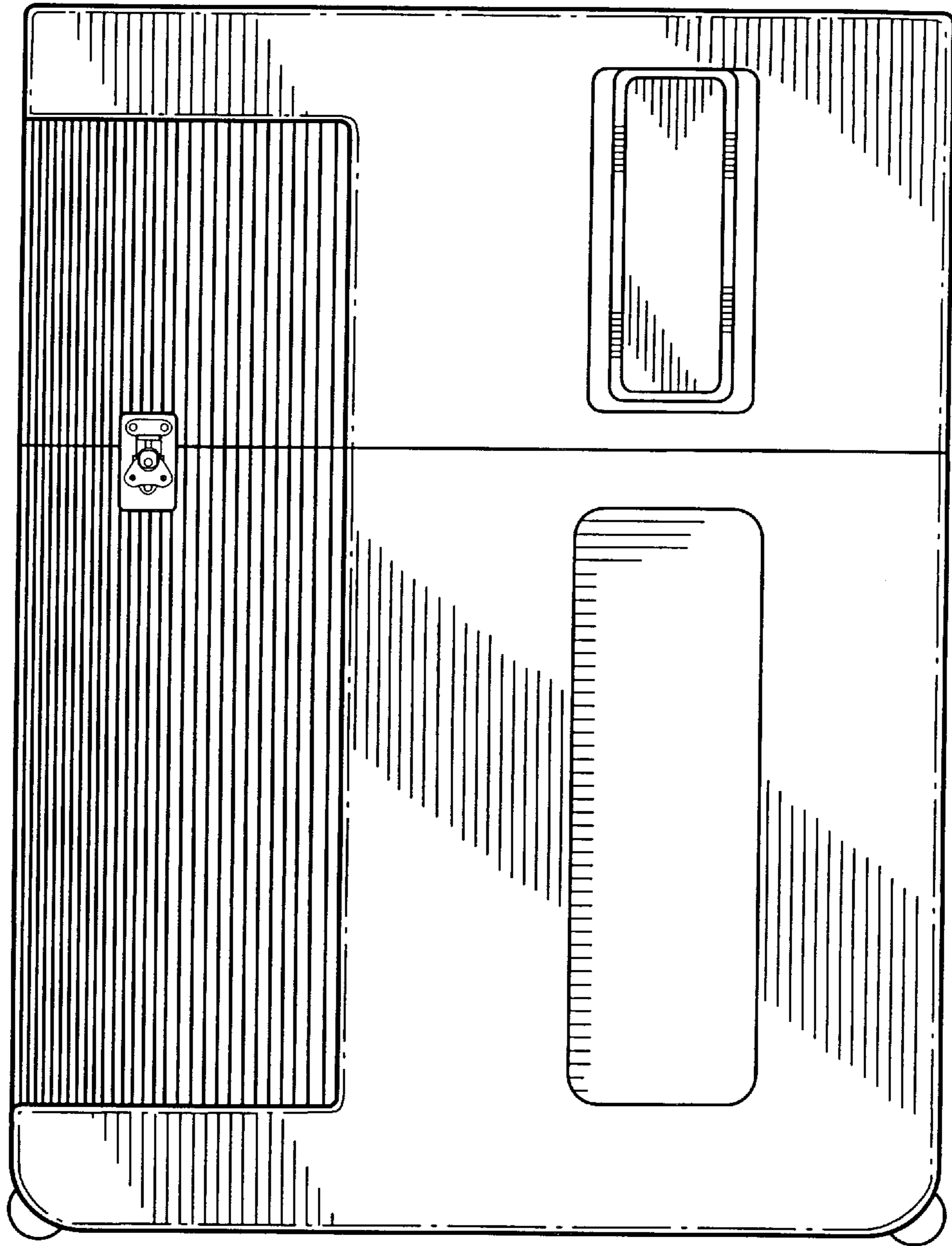


FIG.2

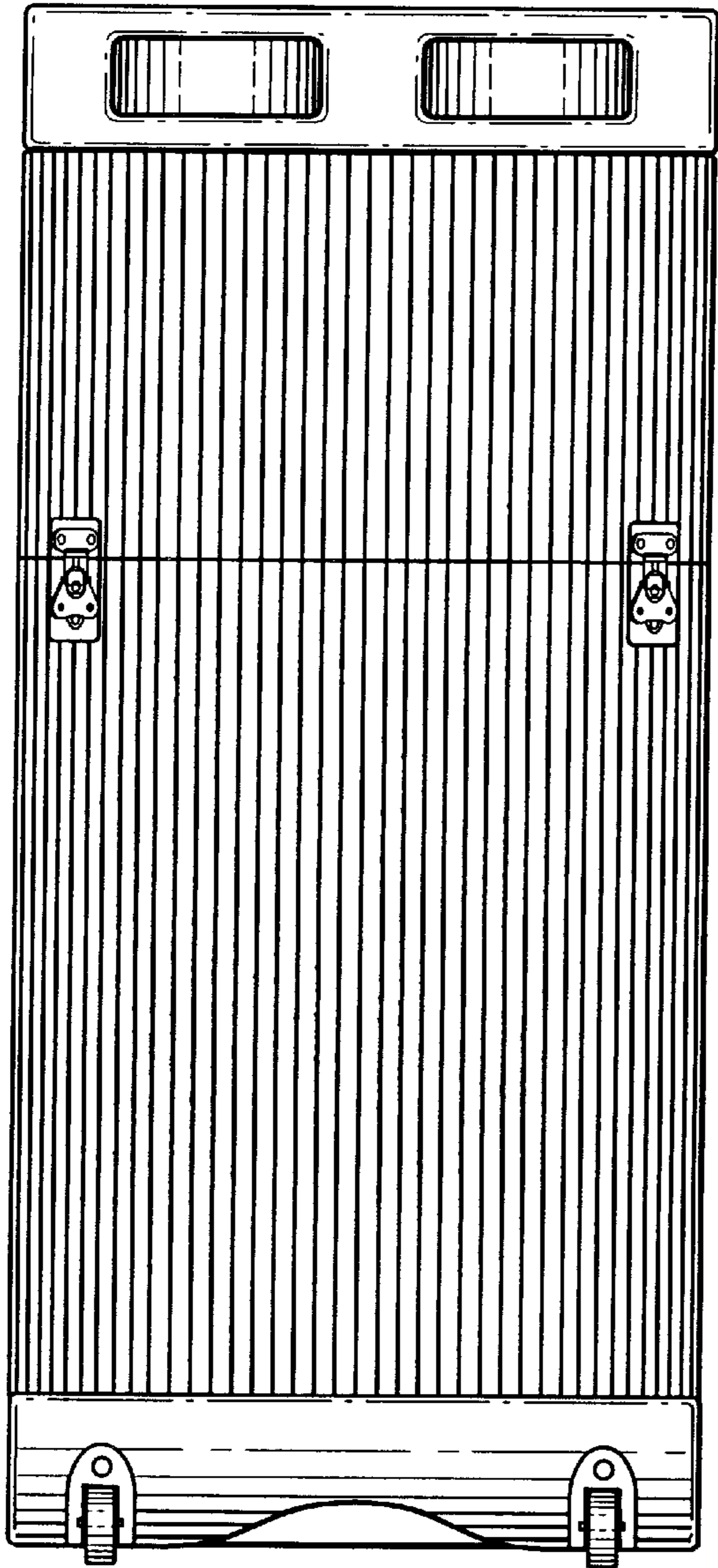


FIG. 3

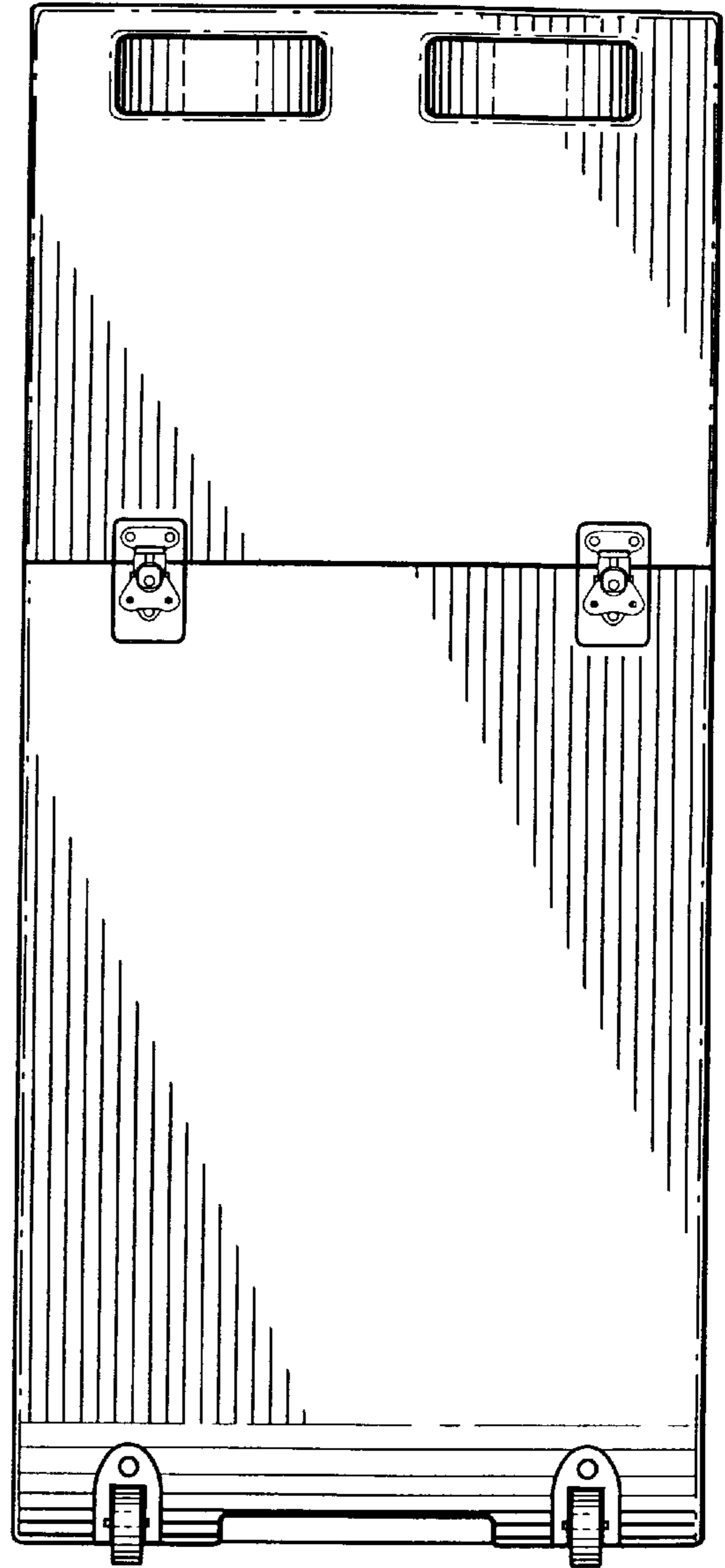


FIG. 4

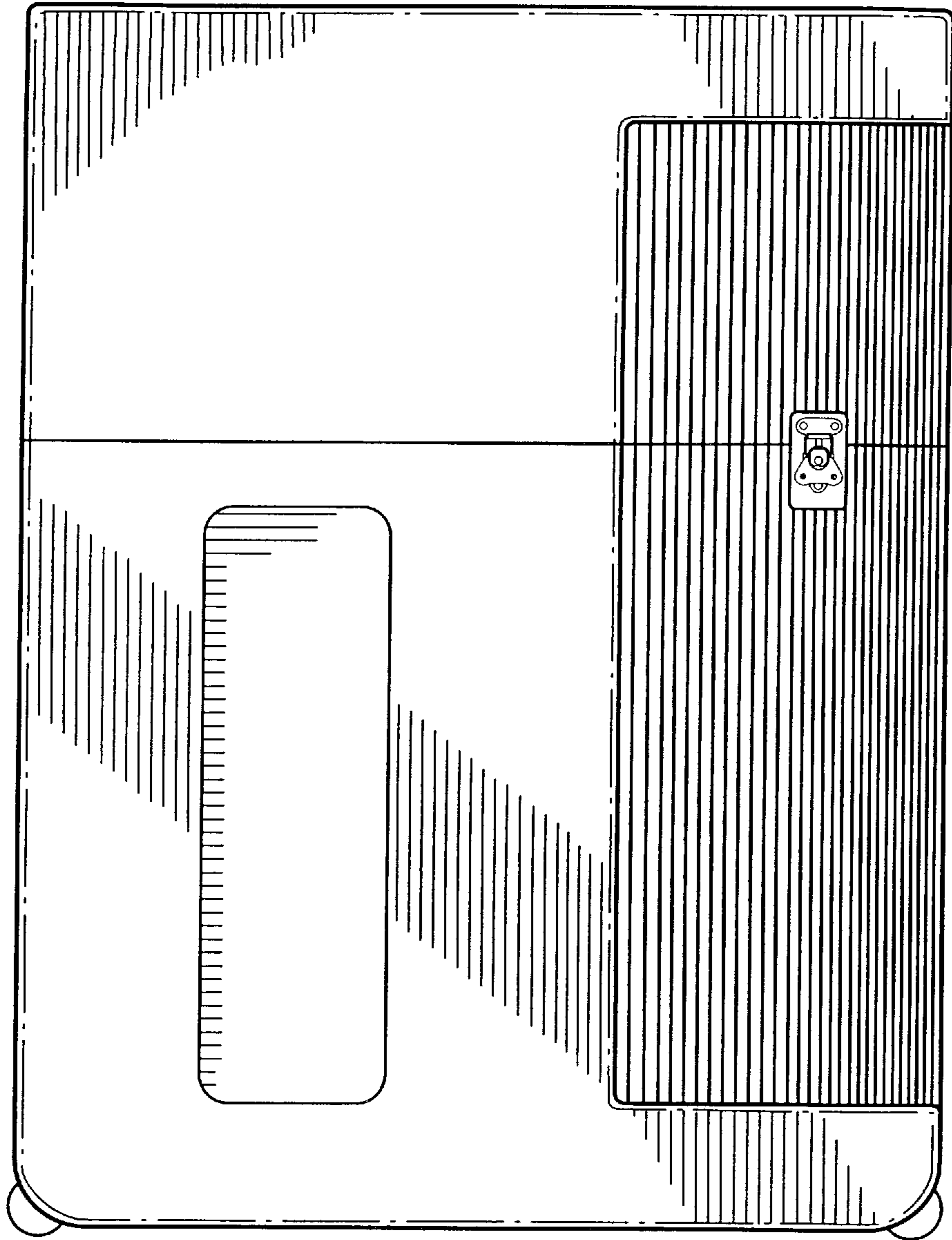


FIG.5

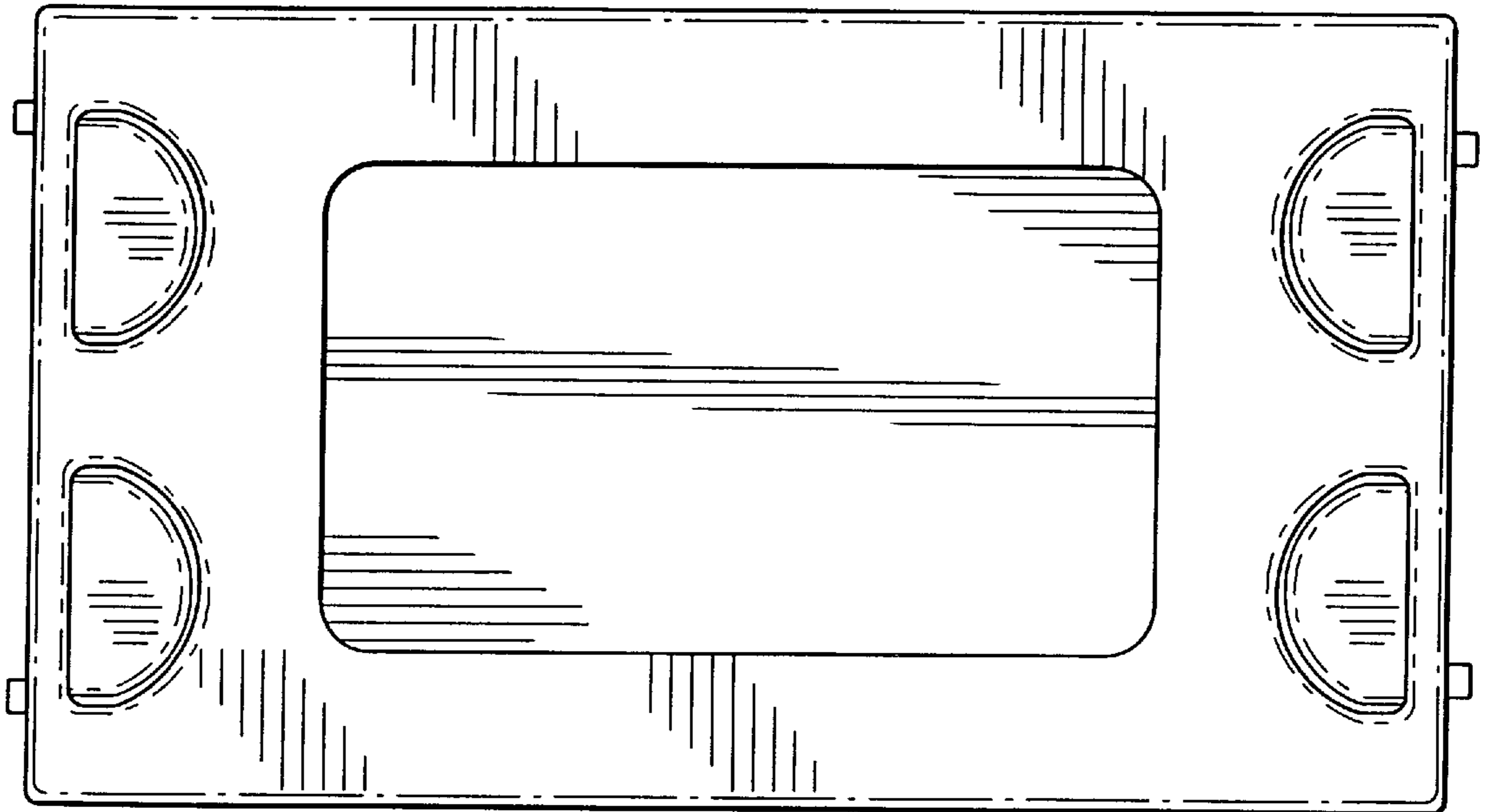


FIG.6