

US00D407208S

United States Patent [19] Schuster

[11] **Patent Number: Des. 407,208**

[45] **Date of Patent: **Mar. 30, 1999**

[54] **PLASTIC CANVAS HOLDING RACK FOR NEEDLEPOINTING**

5,493,800 2/1996 Chinitz 38/102.4

[76] Inventor: **Barbara M. Schuster**, 9252 San Jose Blvd. Unit 503, Jacksonville, Fla. 32257

Primary Examiner—Louis S. Zarfes
Assistant Examiner—Catherine R. Oliver
Attorney, Agent, or Firm—Arthur G. Yeager

[**] Term: **14 Years**

[57] **CLAIM**

[21] Appl. No.: **75,895**

The ornamental design of a plastic canvas holding rack for needlepointing, as shown and described.

[22] Filed: **Sep. 2, 1997**

DESCRIPTION

[51] **LOC (6) Cl.** **03-01**

[52] **U.S. Cl.** **D3/20**

[58] **Field of Search** D3/20, 18, 21, D3/26; D6/512; 223/120, 106, 109 R, DIG. 2; 38/102.2, 102.4, 102.6, 102.8, 102.9

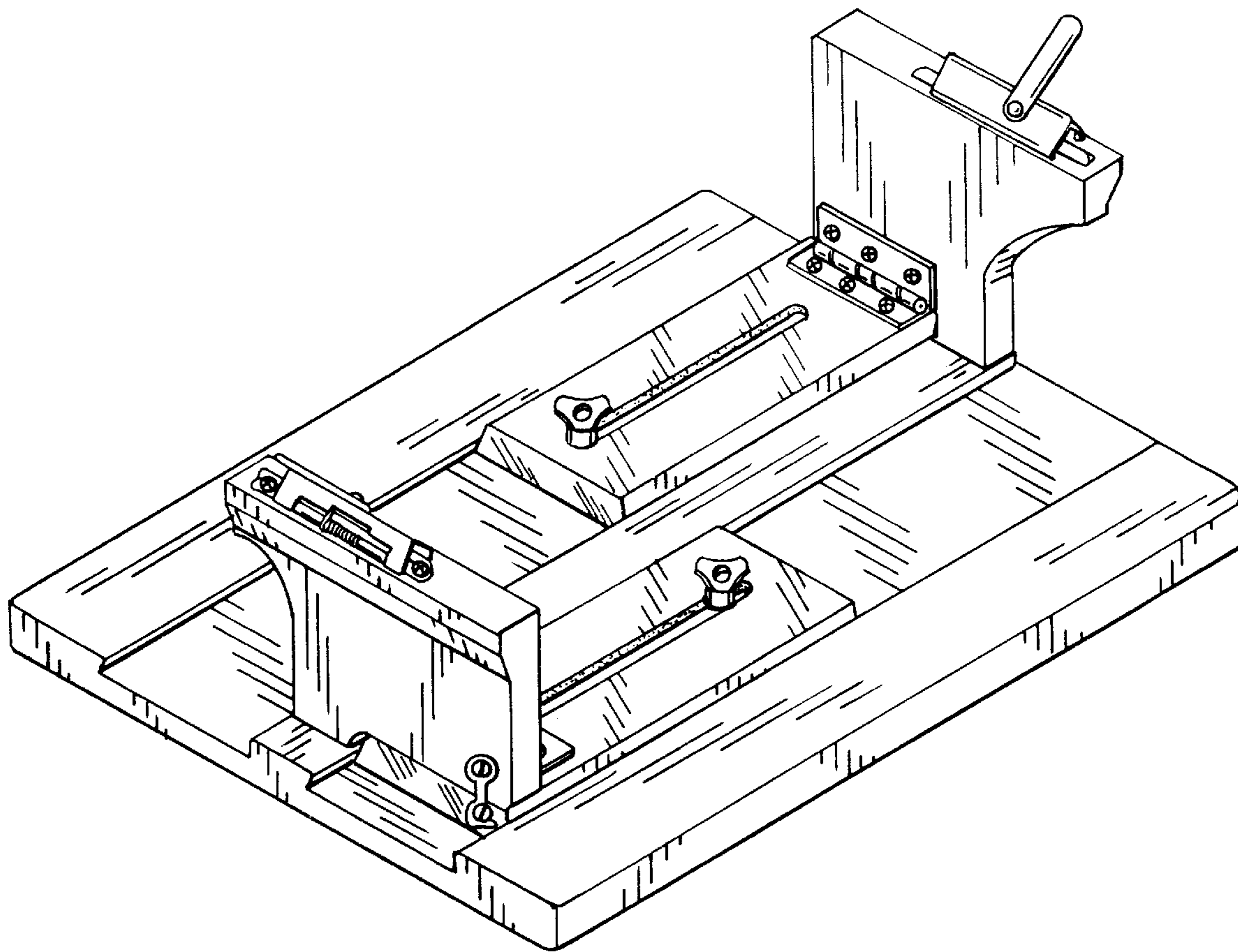
FIG. 1 is a bottom plan view of a plastic canvas holding rack for needlepointing showing my new design; FIG. 2 is a top plan view thereof, with one slide shown in an upright position; FIG. 3 is a front elevational view, with the rear elevational view being a mirror image thereof; FIG. 4 is a right side elevational view, with the left side elevational view being a mirror image thereof; and, FIG. 5 is a top front perspective view, with both slides shown in an upright position and the clip handle rotated 90 degrees.

[56] **References Cited**

U.S. PATENT DOCUMENTS

D. 311,655	10/1990	MeLoche	D3/20
D. 318,756	8/1991	Schulle	D3/20
3,774,326	11/1973	Selden	38/102.4
3,859,742	1/1975	Amaro	38/102.4

1 Claim, 3 Drawing Sheets



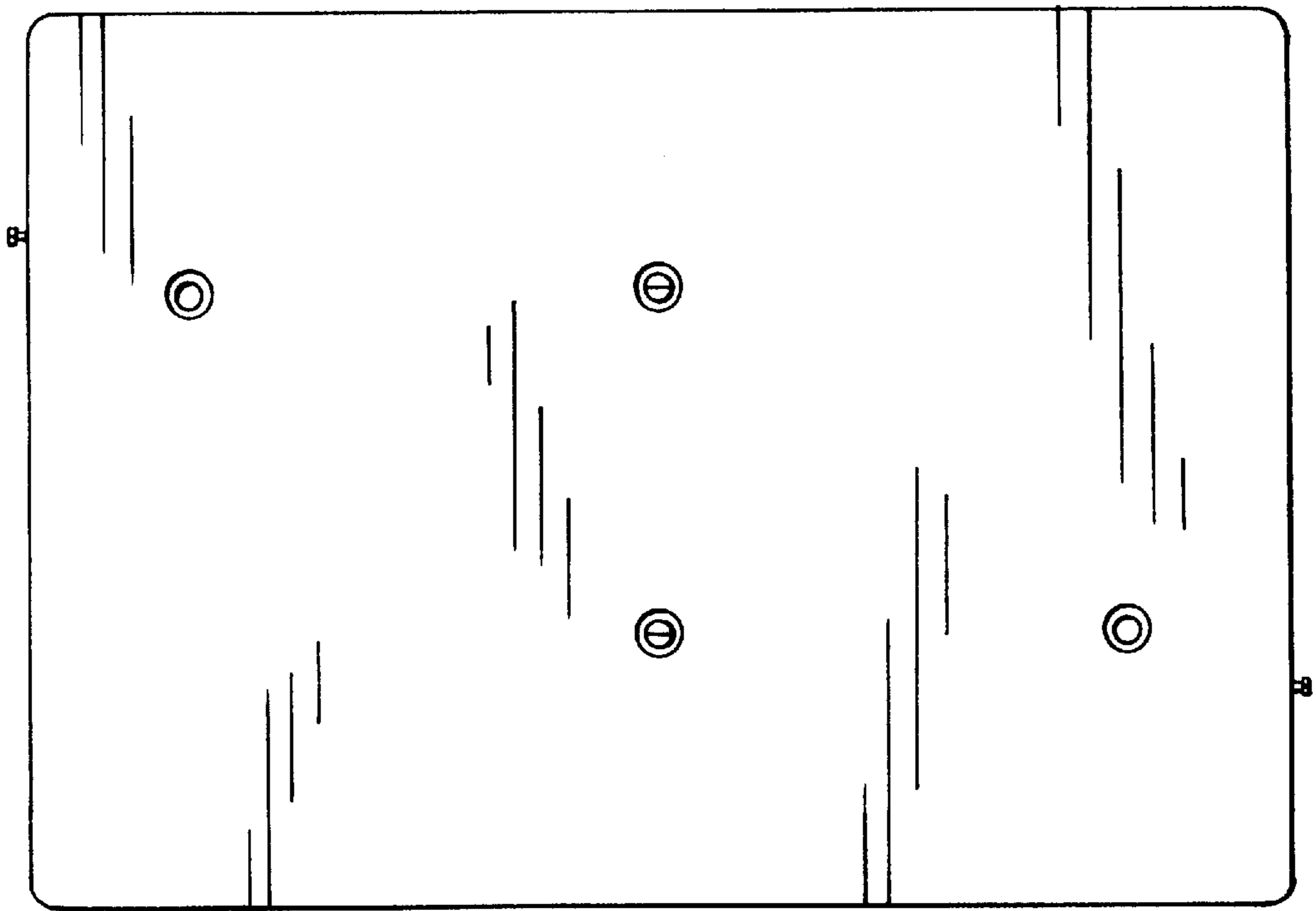


FIG. 1

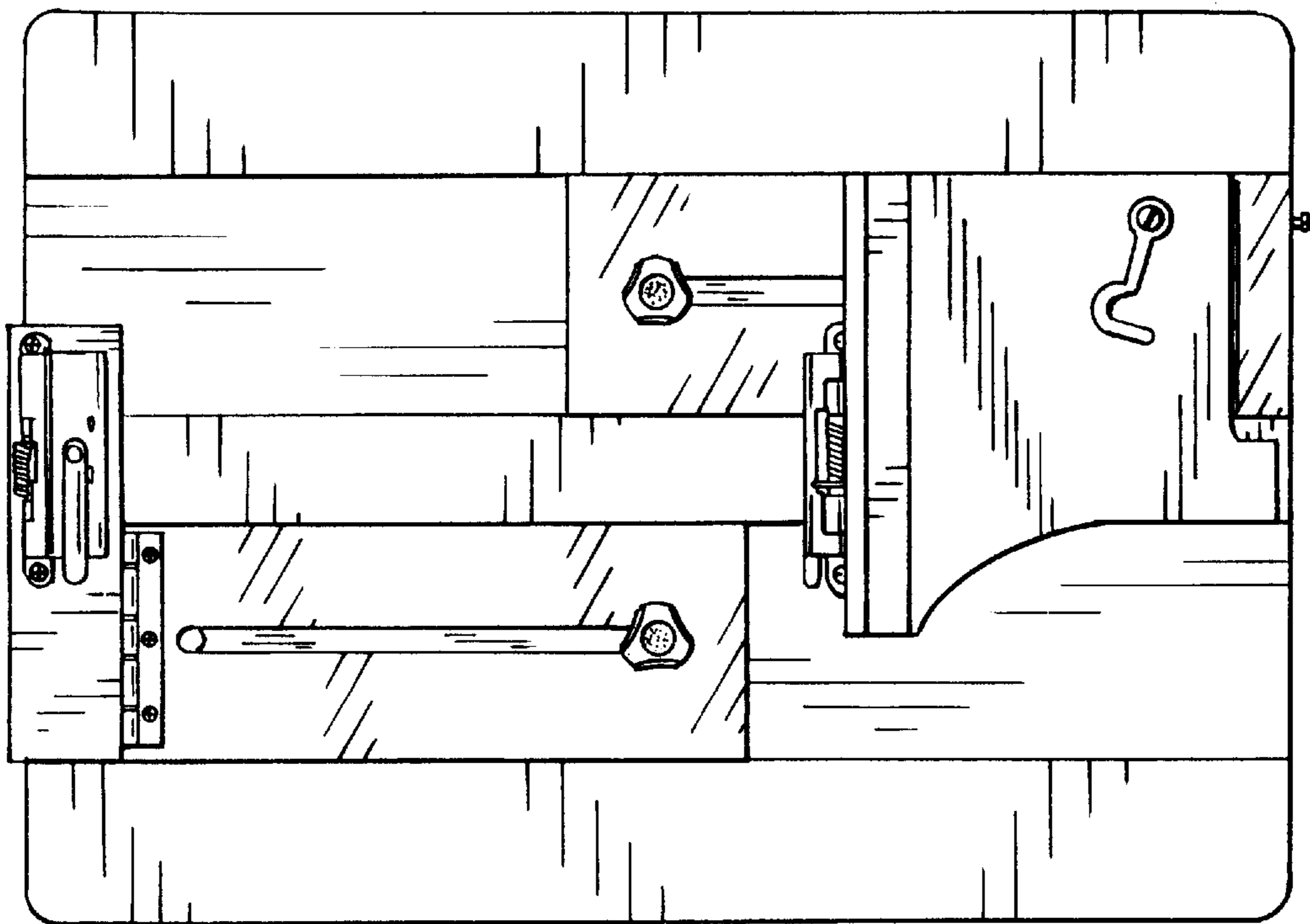


FIG. 2

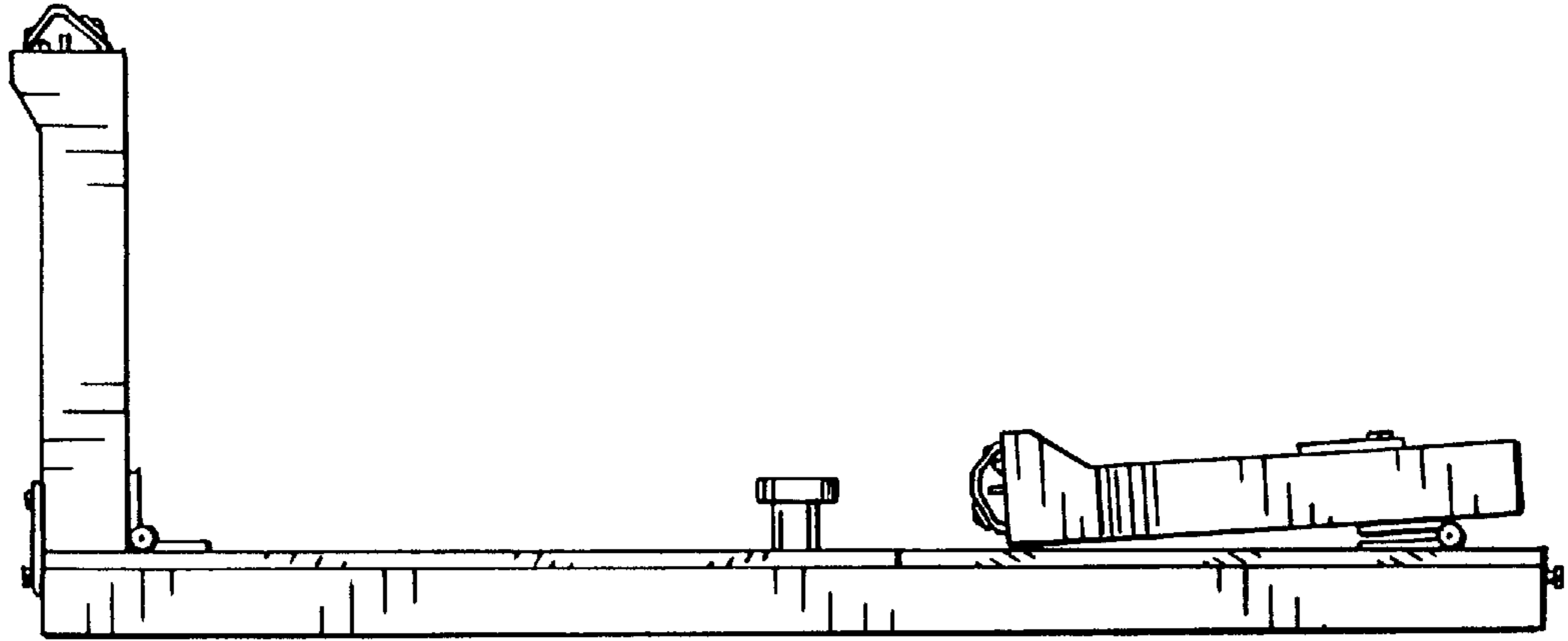


FIG. 3

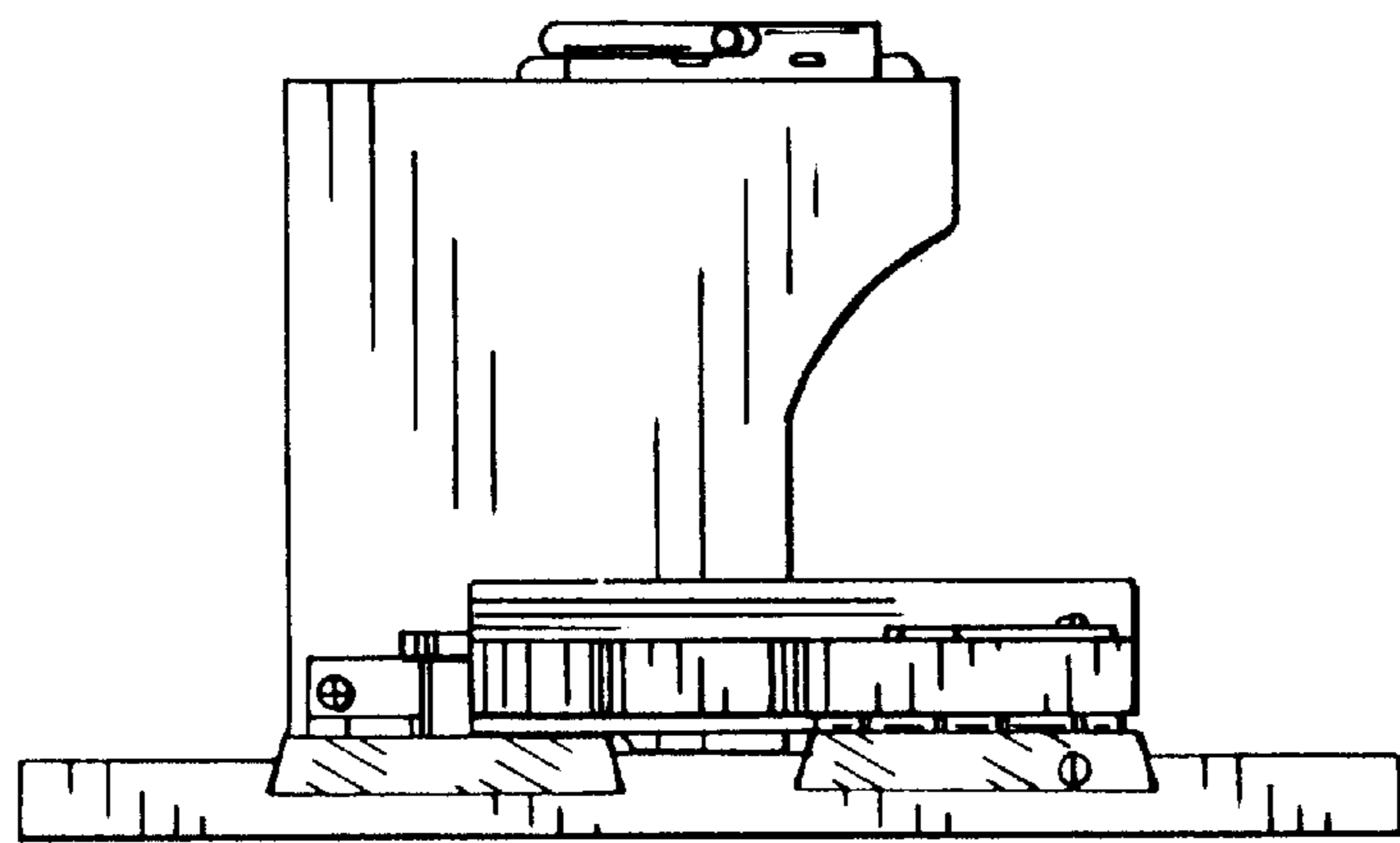


FIG. 4

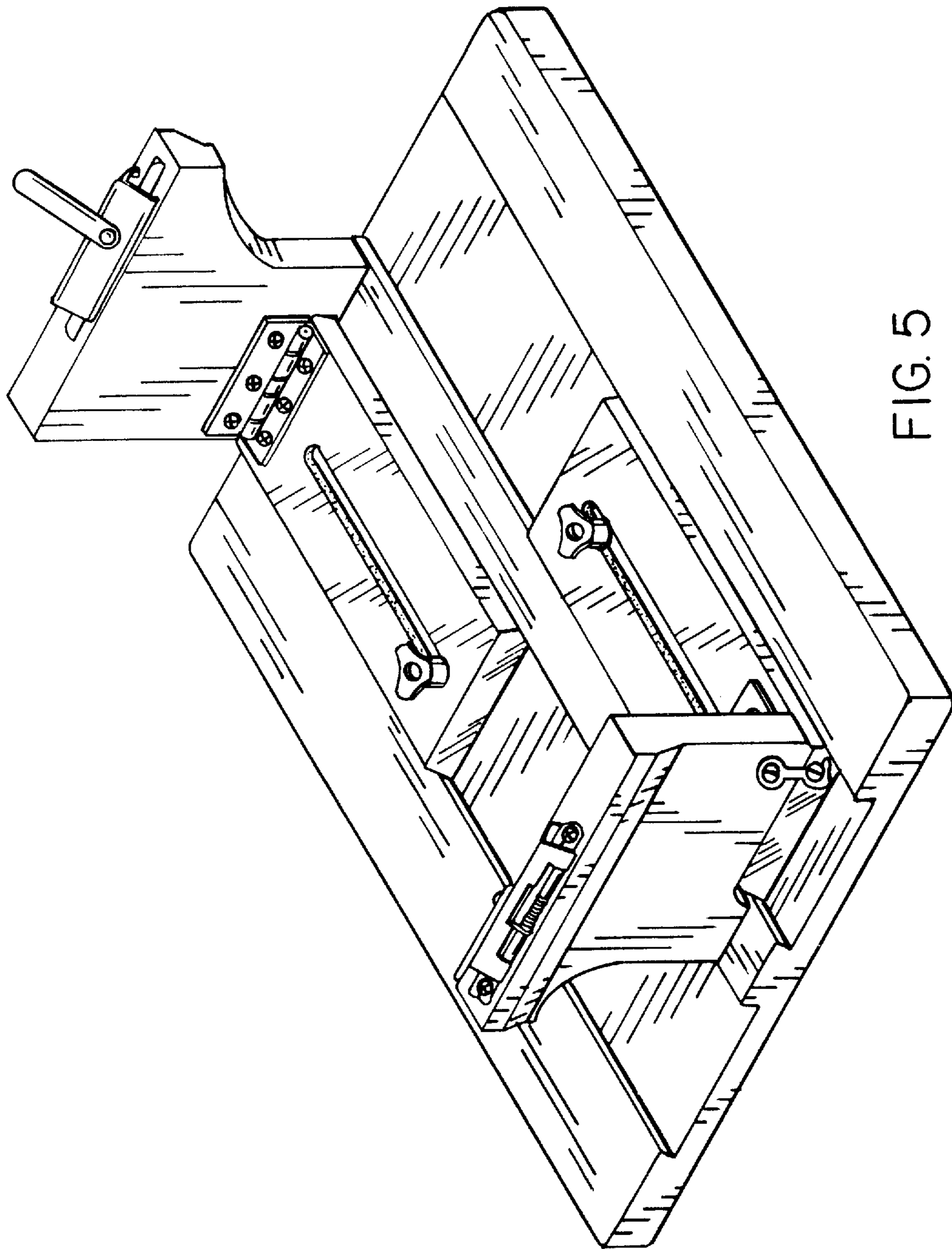


FIG. 5