



US00D407183S

United States Patent [19]

DePietro et al.

[11] Patent Number: **Des. 407,183**

[45] Date of Patent: ****Mar. 23, 1999**

[54] **CUSTOMER INTERFACE PANEL FOR A TRANSACTION TERMINAL**

[75] Inventors: **Mark A. DePietro**, Canton; **Jeffrey M. Kalman**, Cleveland, both of Ohio

[73] Assignee: **Diebold, Incorporated**, North Canton, Ohio

[**] Term: **14 Years**

[21] Appl. No.: **82,814**

[22] Filed: **Jan. 7, 1998**

[51] **LOC (6) Cl.** **25-03**

[52] **U.S. Cl.** **D99/28; D25/33; D99/43**

[58] **Field of Search** **D99/28, 34, 35, D99/41, 43; D14/100, 102, 103, 130, 106, 146; D20/1, 2, 4, 5; 194/350; 235/379, 380; D6/420, 421; D25/1, 33, 35**

[56] **References Cited**

U.S. PATENT DOCUMENTS

D. 272,293 1/1984 Barthel D99/43

D. 290,718	7/1987	Nyegaard et al.	D20/1
D. 293,151	12/1987	Prinzhorn	D99/43 X
D. 293,269	12/1987	Prinzhorn	D99/28
D. 326,756	6/1992	Milliken	D99/28
D. 360,738	7/1995	Schwartz et al.	D99/28
D. 362,097	9/1995	Brown	D99/28
D. 362,689	9/1995	Goldman et al.	D20/1

Primary Examiner—Paula A. Mortimer
Attorney, Agent, or Firm—Ralph E. Jocke

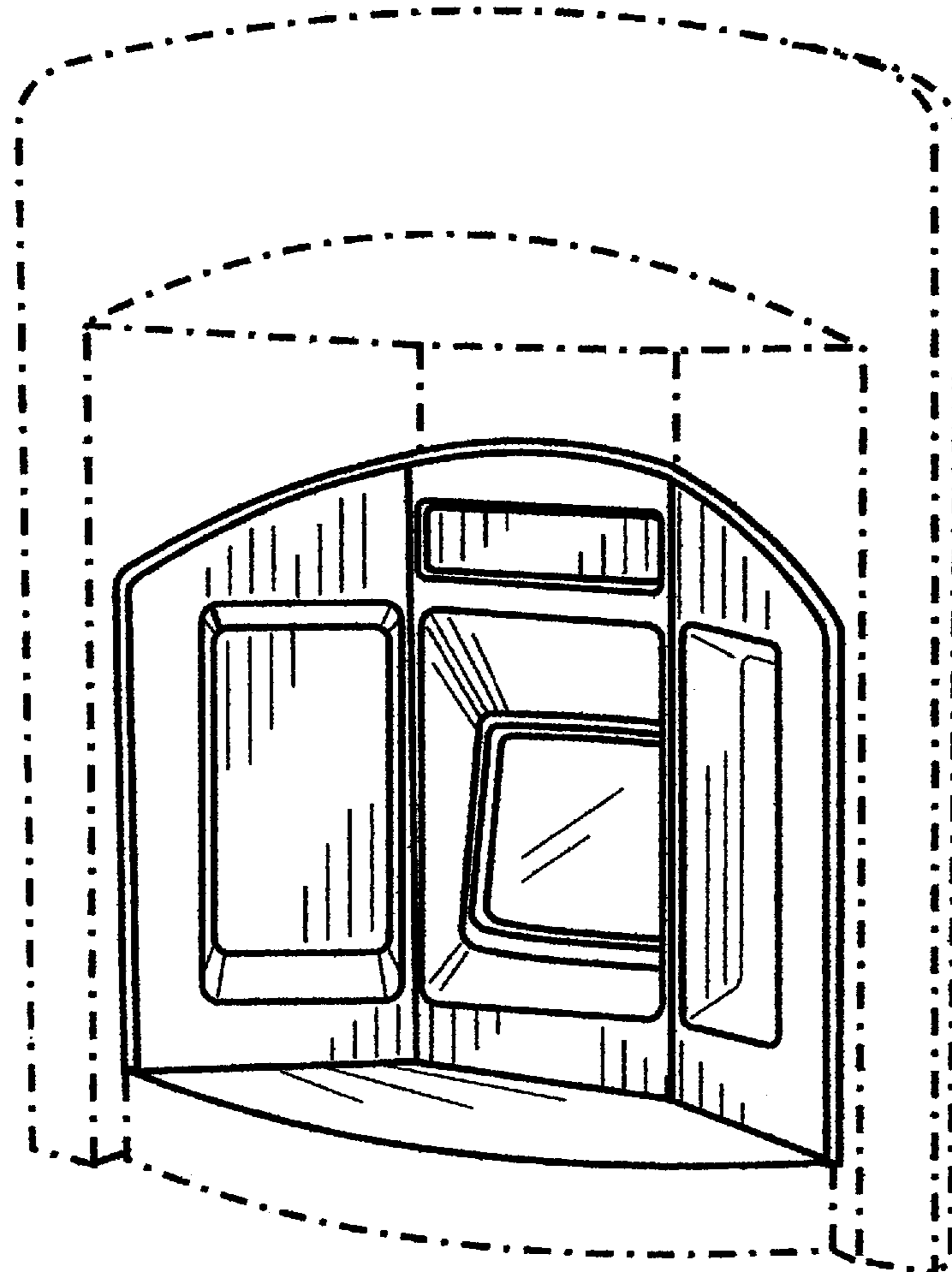
[57] **CLAIM**

We claim the ornamental design for a customer interface panel for a transaction terminal, as shown and described.

DESCRIPTION

FIG. 1 is a front, left side perspective view of the customer interface panel for a transaction terminal showing our new design, the broken line showing of the surrounding structure of the interface panel is for illustrative purposes only and forms no part of the claimed design; and, FIG. 2 is a front elevational view thereof.

1 Claim, 1 Drawing Sheet



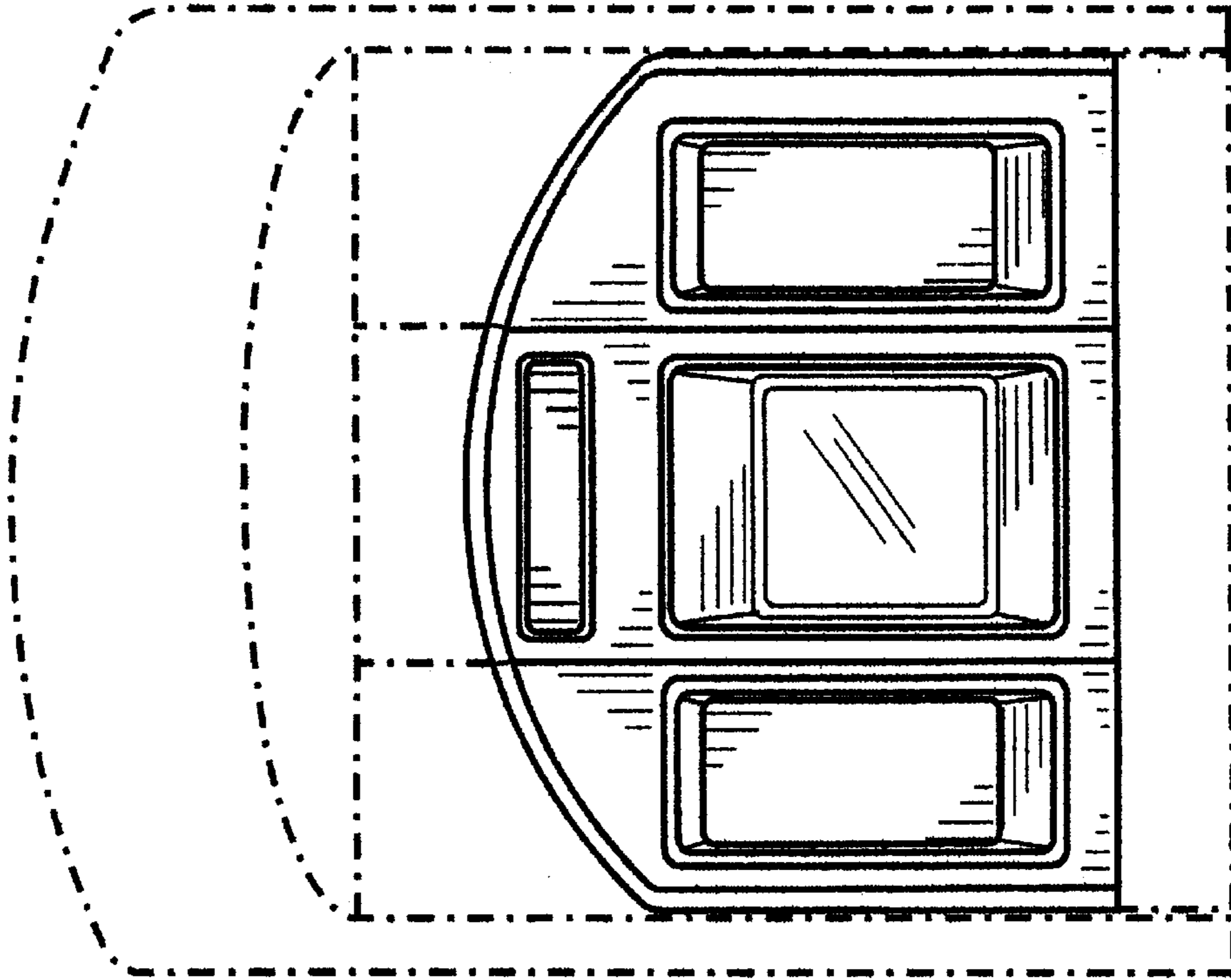


FIG. 2

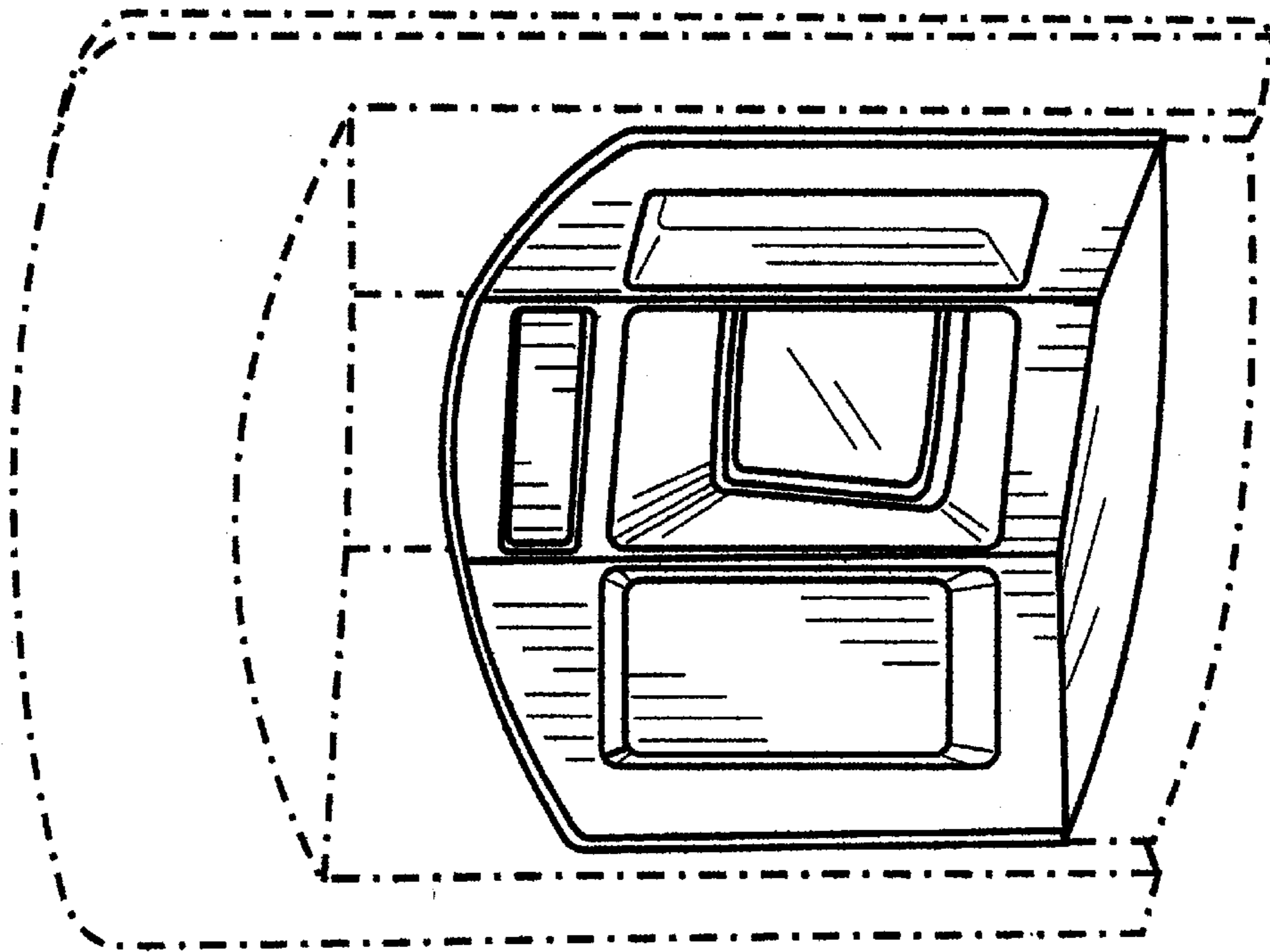


FIG. 1