



US00D407181S

United States Patent [19] Winburn

[11] Patent Number: Des. 407,181

[45] Date of Patent: **Mar. 23, 1999

[54] CASKET LID END CAP

[75] Inventor: Charles F. Winburn, Batesville, Ind.

[73] Assignee: Batesville Casket Company, Inc.,
Batesville, Ind.

[**] Term: 14 Years

[21] Appl. No.: 83,213

[22] Filed: Feb. 4, 1998

[51] LOC (6) Cl. 99-00

[52] U.S. Cl. D99/8

[58] Field of Search D99/1, 3, 4, 6,
D99/8, 13, 15, 16; 27/1, 2, 5, 8, 10, 14,
15, 17, 35; 52/124.1

FOREIGN PATENT DOCUMENTS

54-110071	8/1979	Japan .
62-11667 4	7/1987	Japan .
63-88322	6/1988	Japan .
2-88629	7/1990	Japan .
3-198852	8/1991	Japan .
3-88517	9/1991	Japan .
4-3729	1/1992	Japan .
4-3730	1/1992	Japan .
4-22934	2/1992	Japan .
4-65534	6/1992	Japan .
1145571	3/1969	United Kingdom .
1535188	12/1978	United Kingdom .
2064485	6/1981	United Kingdom .
2114498	8/1983	United Kingdom .

Primary Examiner—Paula A. Mortimer
Attorney, Agent, or Firm—Barnes & Thornburg

[56] References Cited

U.S. PATENT DOCUMENTS

D. 29,012	7/1898	Barbor	D99/1
D. 93,349	9/1934	King	D99/1
D. 161,561	1/1951	Wickersham	D99/1
395,537	1/1889	Baker	D99/1
678,348	7/1901	Nichols	.	
768,481	8/1904	Post	.	
1,234,180	7/1917	Kersten	.	
1,507,957	9/1924	Edwards	.	
2,338,035	12/1943	Gerold	.	
2,392,298	1/1946	Thommen	.	
2,448,923	9/1948	Skolnik	.	
2,494,473	1/1950	Dowling	.	
2,927,453	3/1960	Patterson et al.	D99/1
3,164,880	1/1965	Hotchkiss	.	
3,208,186	9/1965	Fulton et al.	D99/1
3,220,080	11/1965	Connelly	.	
3,406,229	10/1968	Cenegy	.	
3,490,114	1/1970	Connelly et al.	.	
3,574,906	4/1971	Rittenhouse	.	
3,729,786	5/1973	Walding	.	
3,879,818	4/1975	Rowland	.	
3,969,798	7/1976	Sahlin	.	
4,044,435	8/1977	Acton	.	
4,123,831	11/1978	Covington	.	
4,151,630	5/1979	Havey	.	
4,156,956	6/1979	Partridge et al.	.	

(List continued on next page.)

[57] CLAIM

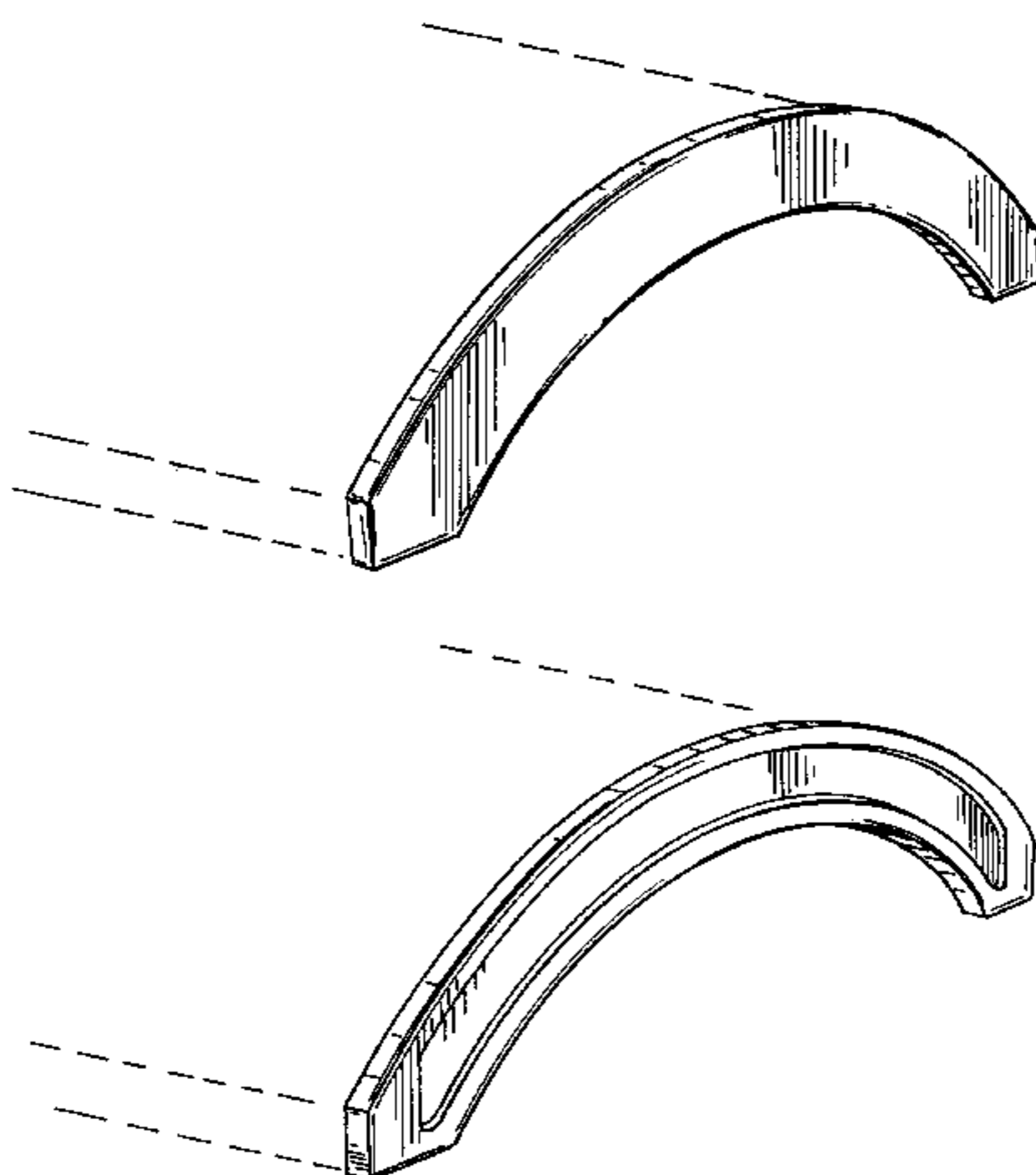
The ornamental design for a casket lid end cap, as shown and described.

DESCRIPTION

FIG. 1 is a front perspective view of a casket lid end cap showing a first embodiment of my new design;
 FIG. 2 is a rear perspective view thereof;
 FIG. 3 is a front elevational view thereof;
 FIG. 4 is a side elevational view thereof;
 FIG. 5 is a top plan view thereof;
 FIG. 6 is a bottom plan view thereof;
 FIG. 7 is a rear elevational view thereof;
 FIG. 8 is a front perspective view of a casket lid end cap showing a second embodiment of my new design;
 FIG. 9 is a rear perspective view thereof;
 FIG. 10 is a front elevational view thereof;
 FIG. 11 is a rear elevational view thereof; and,
 FIG. 12 is a sectional view thereof, taken along line 12—12 of FIG. 10.

The broken lines in FIGS. 1 and 8 are for illustrative purposes only and form no part of the claimed design.

1 Claim, 2 Drawing Sheets



Des. 407,181

Page 2

U.S. PATENT DOCUMENTS

4,170,054	10/1979	Ruffner et al. .	4,944,076	7/1990	Kay et al. .
4,176,431	12/1979	Havey, III .	4,967,455	11/1990	Elder .
4,209,880	7/1980	Lidholm .	4,990,391	2/1991	Veta et al. .
4,261,083	4/1981	Darby et al. .	5,035,032	7/1991	Nutting .
4,517,713	5/1985	Swallert .	5,041,323	8/1991	Rose et al. .
4,697,316	10/1987	Semon .	5,106,668	4/1992	Turner et al. .
4,730,370	3/1988	Elder .	5,111,559	5/1992	Mohr et al. .
4,773,134	9/1988	Kay .	5,231,741	8/1993	Maguire .
4,788,757	12/1988	Bethune et al. .	5,245,733	9/1993	Goria .
4,891,869	1/1990	Nutting .	5,307,545	5/1994	Stoltz .
4,902,365	2/1990	Westlake, Sr. .	5,353,484	10/1994	Woedl et al. .
4,930,197	6/1990	McClive .	5,454,141	10/1995	Ozbun et al. .
			5,685,937	11/1997	Tambussi .
			5,770,291	6/1998	Tambussi .

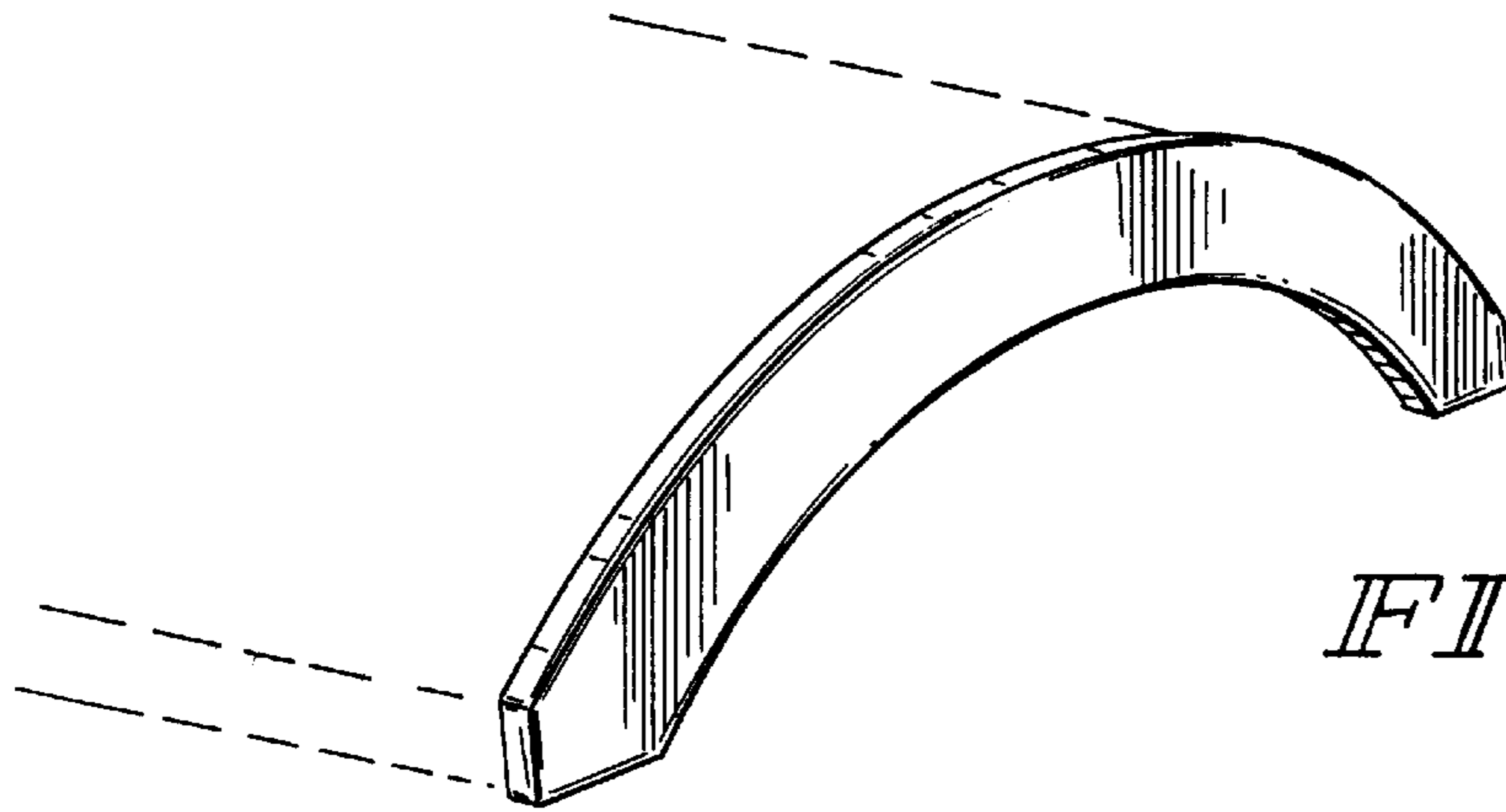


FIG. 1

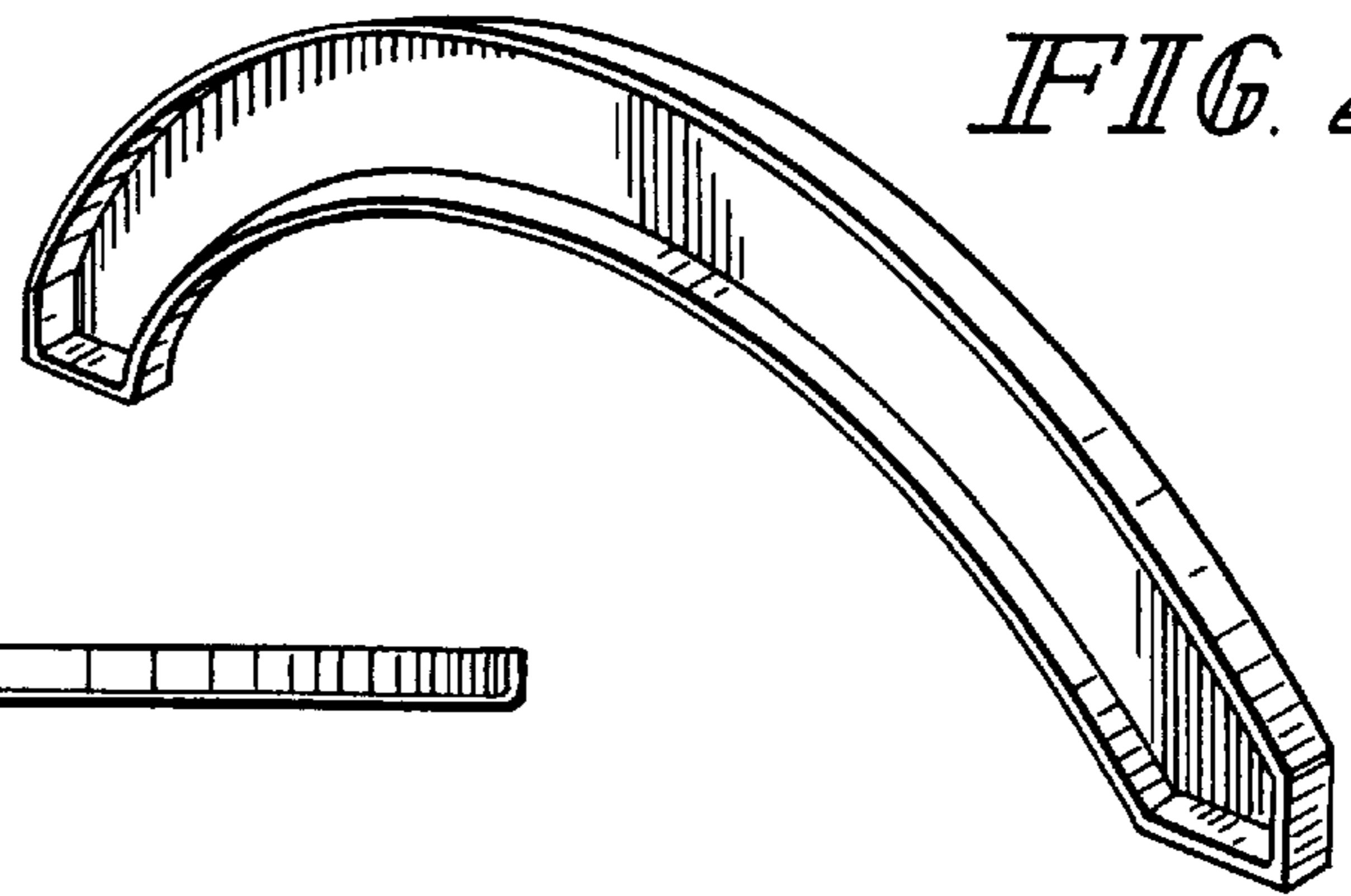


FIG. 2

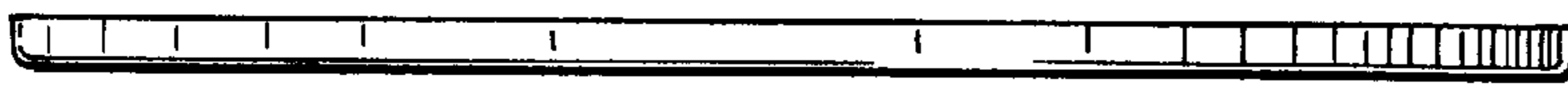


FIG. 5

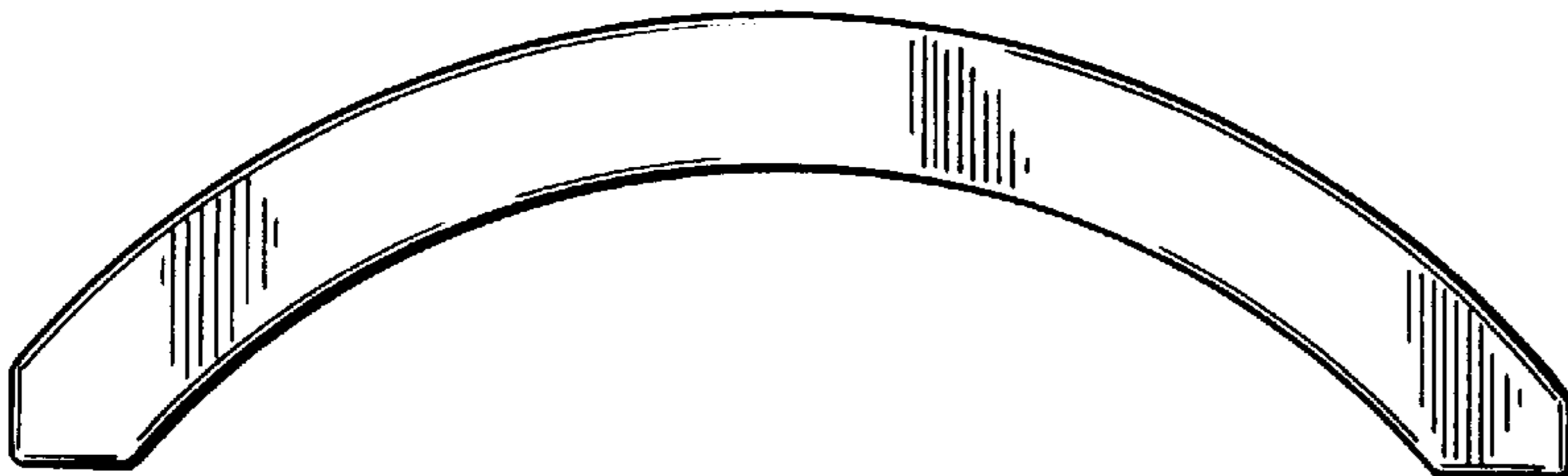


FIG. 3

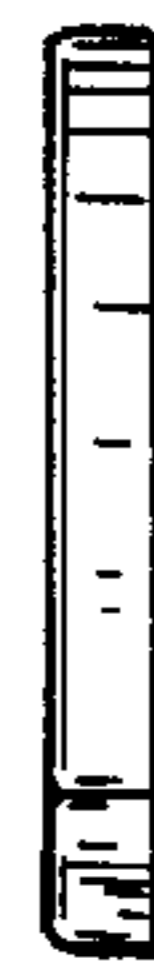


FIG. 4

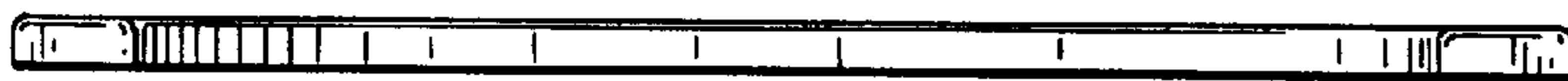


FIG. 6

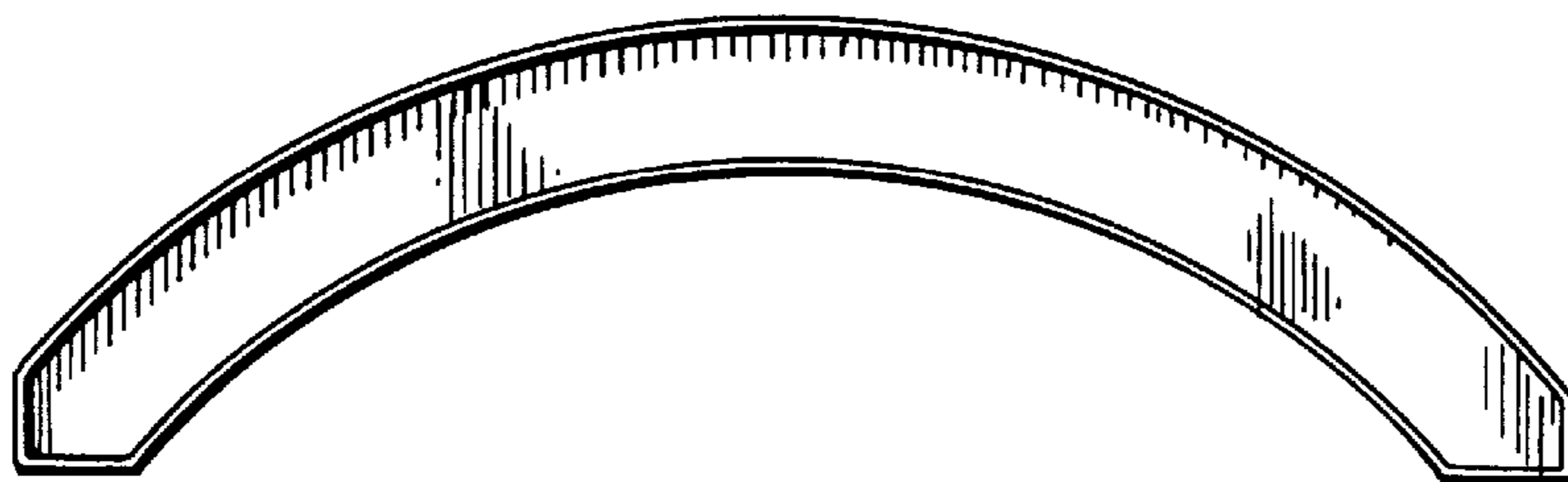


FIG. 7

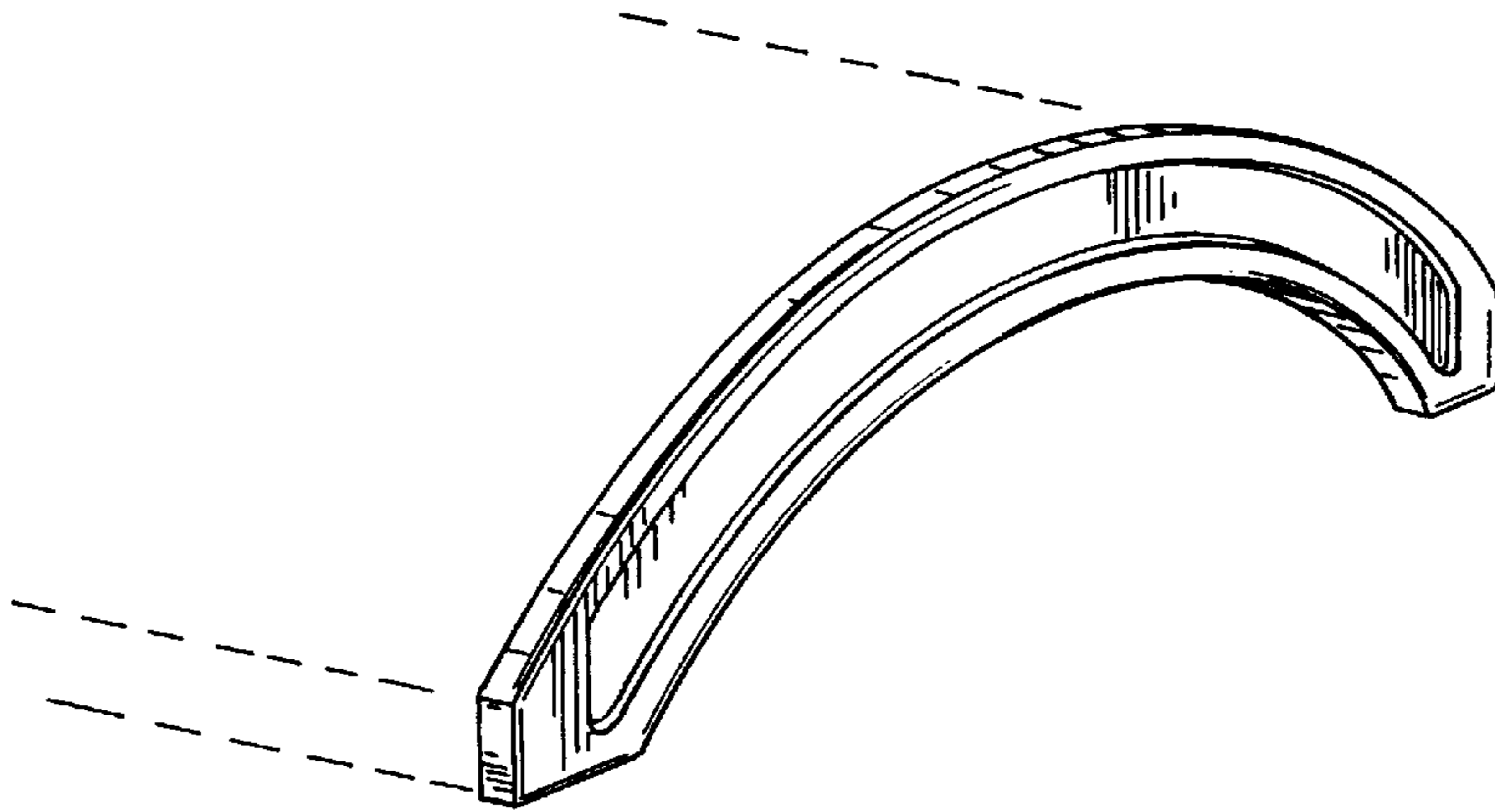


FIG. 8

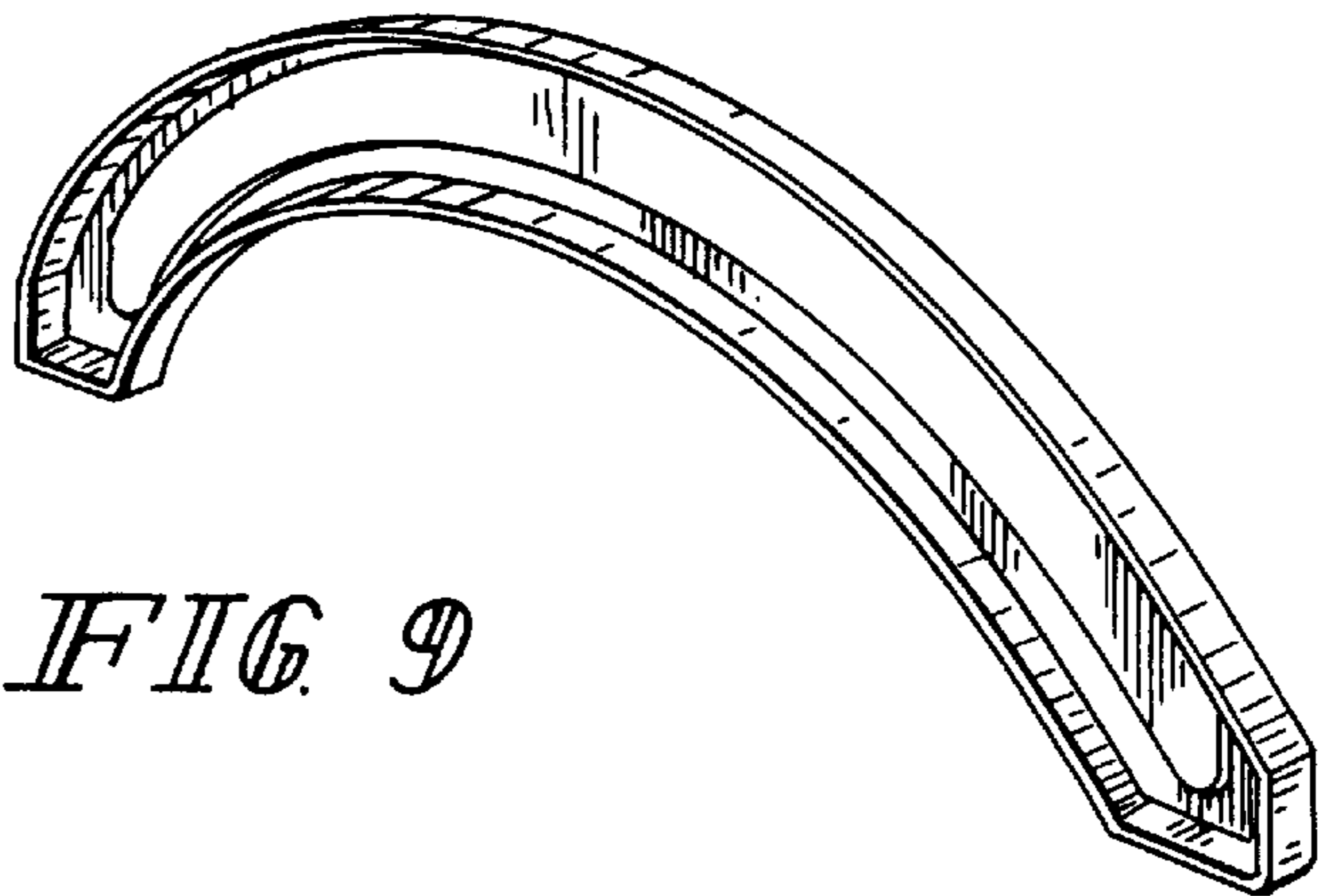


FIG. 9

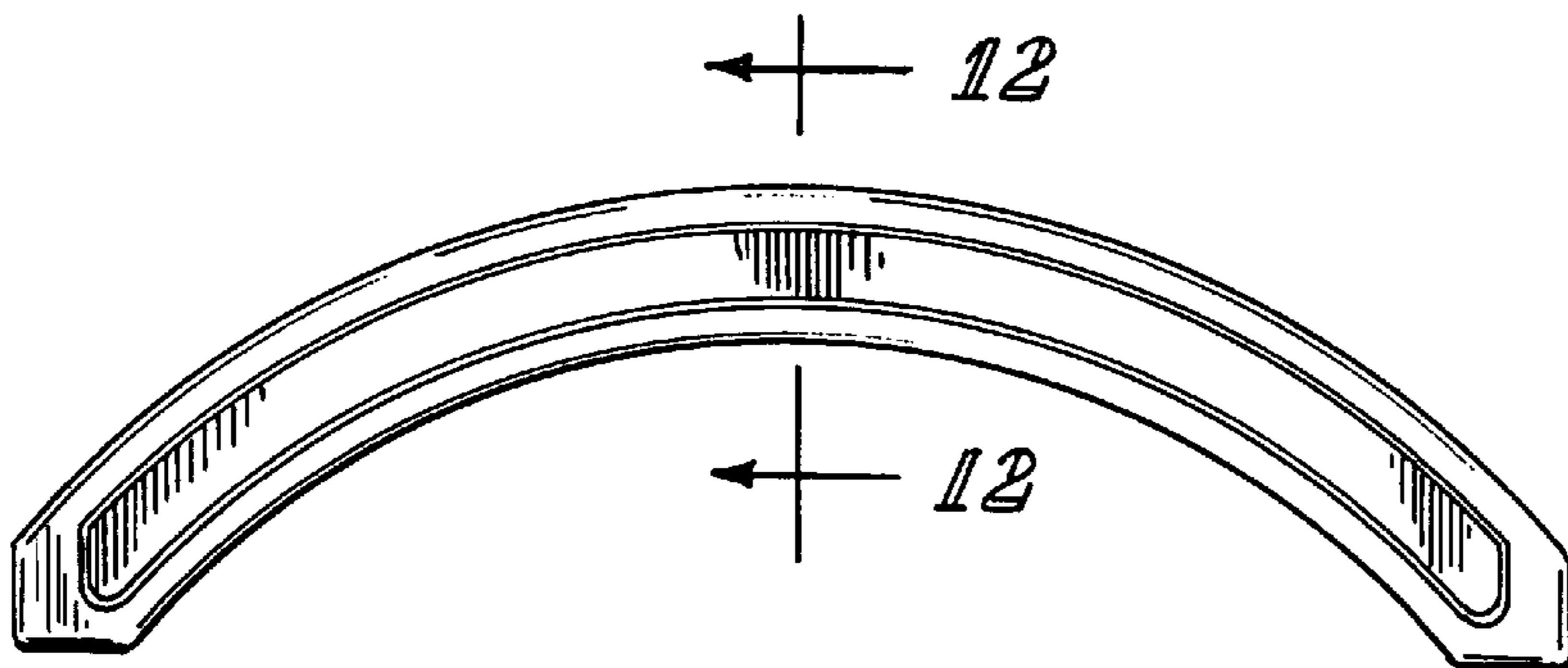


FIG. 10

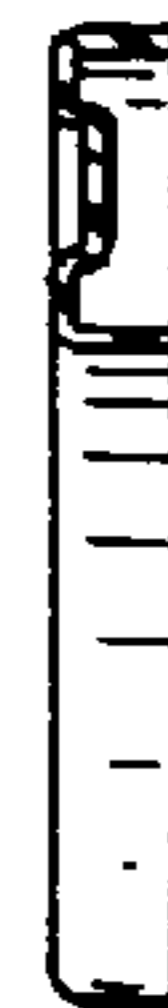


FIG. 12

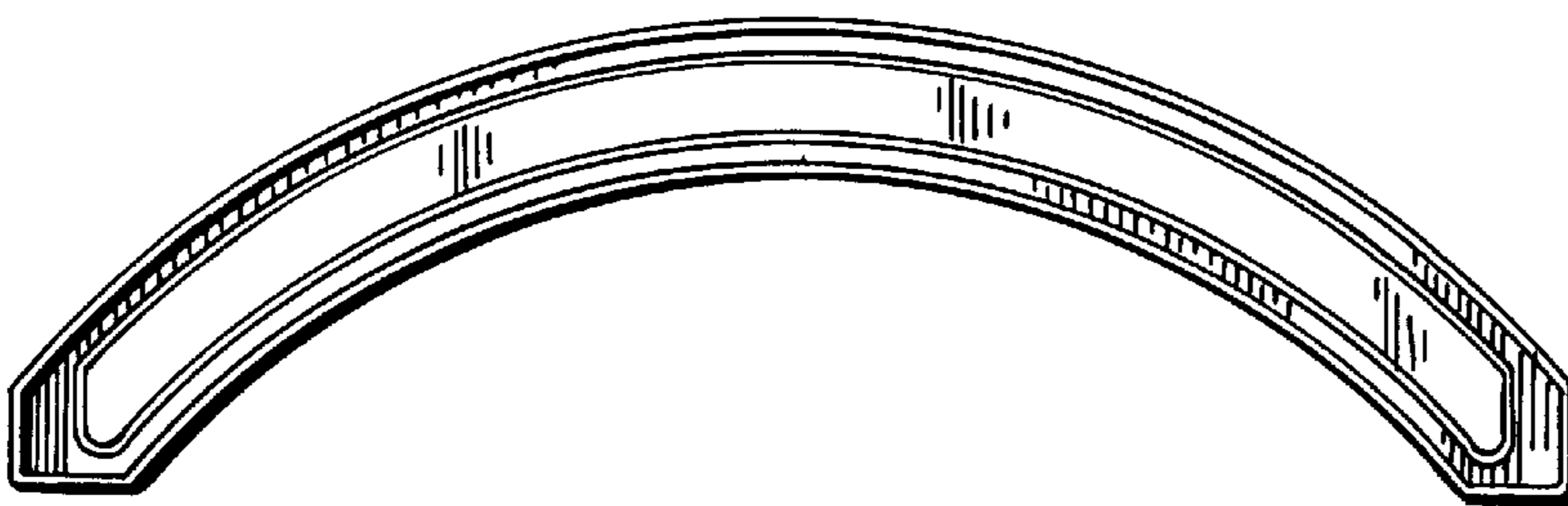


FIG. 11