



US00D407180S

United States Patent [19] Riga

[11] **Patent Number: Des. 407,180**

[45] **Date of Patent: **Mar. 23, 1999**

[54] **COMBINED DEATH CARE MERCHANDISE
CORNICE AND DISPLAY UNIT**

[75] Inventor: **Dennis J. Riga**, New Albany, Ohio

[73] Assignee: **The York Group, Inc.**, Houston, Tex.

[**] Term: **14 Years**

[21] Appl. No.: **65,688**

[22] Filed: **Jan. 24, 1997**

[51] **LOC (6) Cl. 99-00**

[52] **U.S. Cl. D99/8; D20/10**

[58] **Field of Search D99/1, 2, 3, 4,
D99/6, 7, 8; 27/1-7; 206/423; D20/10**

[56] **References Cited**

U.S. PATENT DOCUMENTS

D. 48,928	4/1916	Clark	D99/8
D. 218,890	10/1970	Krominski	D99/8
D. 354,825	1/1995	Parker	D99/8
D. 381,693	7/1997	Thompson	D20/10
1,821,760	9/1931	Leitch et al.	D99/7 X
3,504,409	4/1970	Keller, Jr.	27/6
5,405,017	4/1995	Szabo, Sr. et al. .	
5,524,394	6/1996	Szabo, Sr. et al. .	

OTHER PUBLICATIONS

Quarter coffin designs practiced in France (photos attached).

Primary Examiner—Paula A. Mortimer
Attorney, Agent, or Firm—Liddell, Sapp, Zivley, Hill & LaBoon, L.L.P.

[57] **CLAIM**

The ornamental design of a combined death care merchandise cornice and display unit, as shown and described.

DESCRIPTION

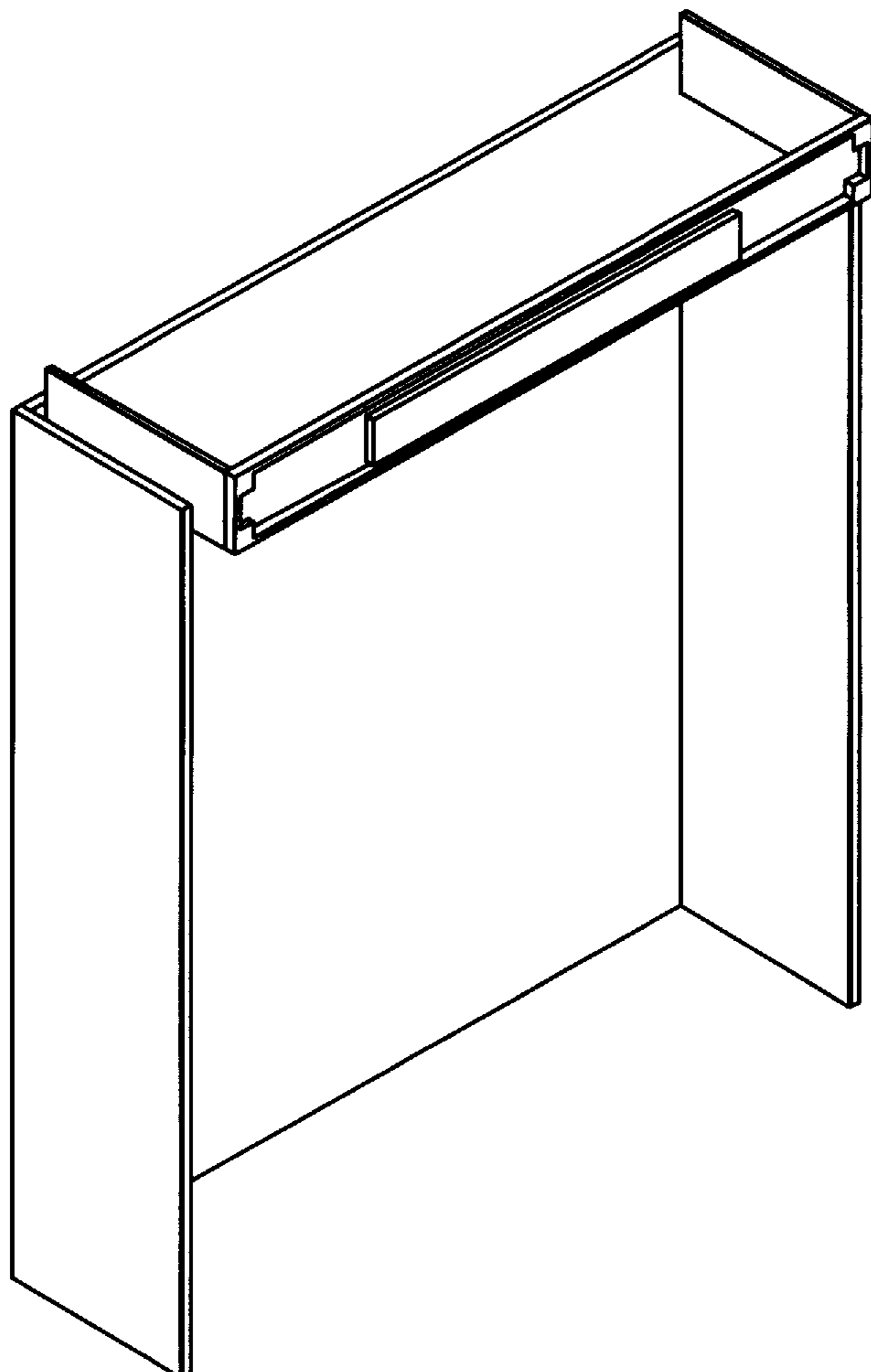
FIG. 1 is a front perspective view of the first embodiment of a combined death care merchandise cornice and display unit showing my new design, the cornice is shown separately for ease of illustration;

FIG. 2 is a top plan view of a second embodiment of a combined death care merchandise cornice and display unit showing my new design;

FIG. 3 is a front perspective view thereof, the cornice is shown separately for ease of illustration;

FIG. 4 is a front perspective view thereof; and,
FIG. 5 is a front perspective view of FIG. 2.

1 Claim, 2 Drawing Sheets



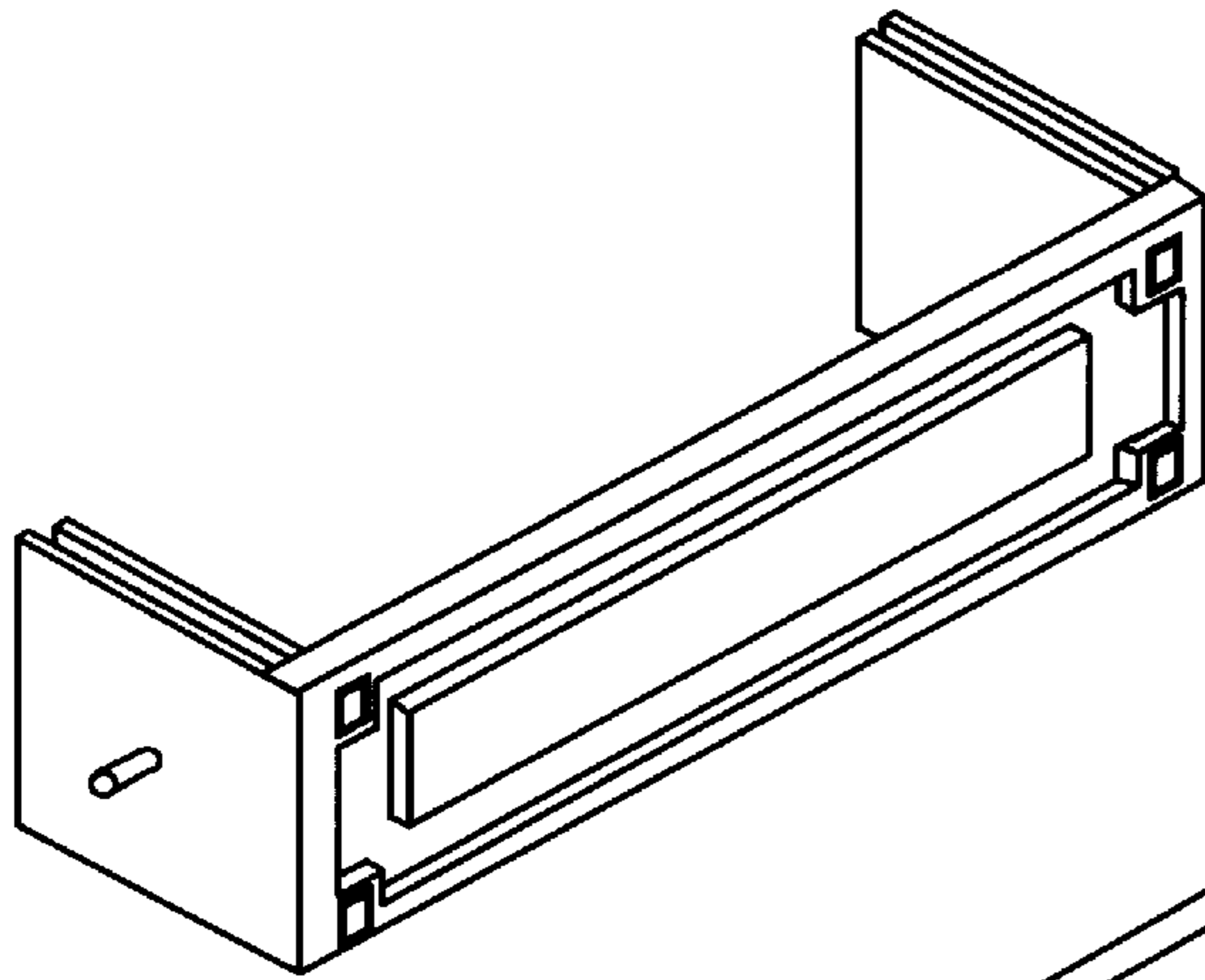


FIG. 1

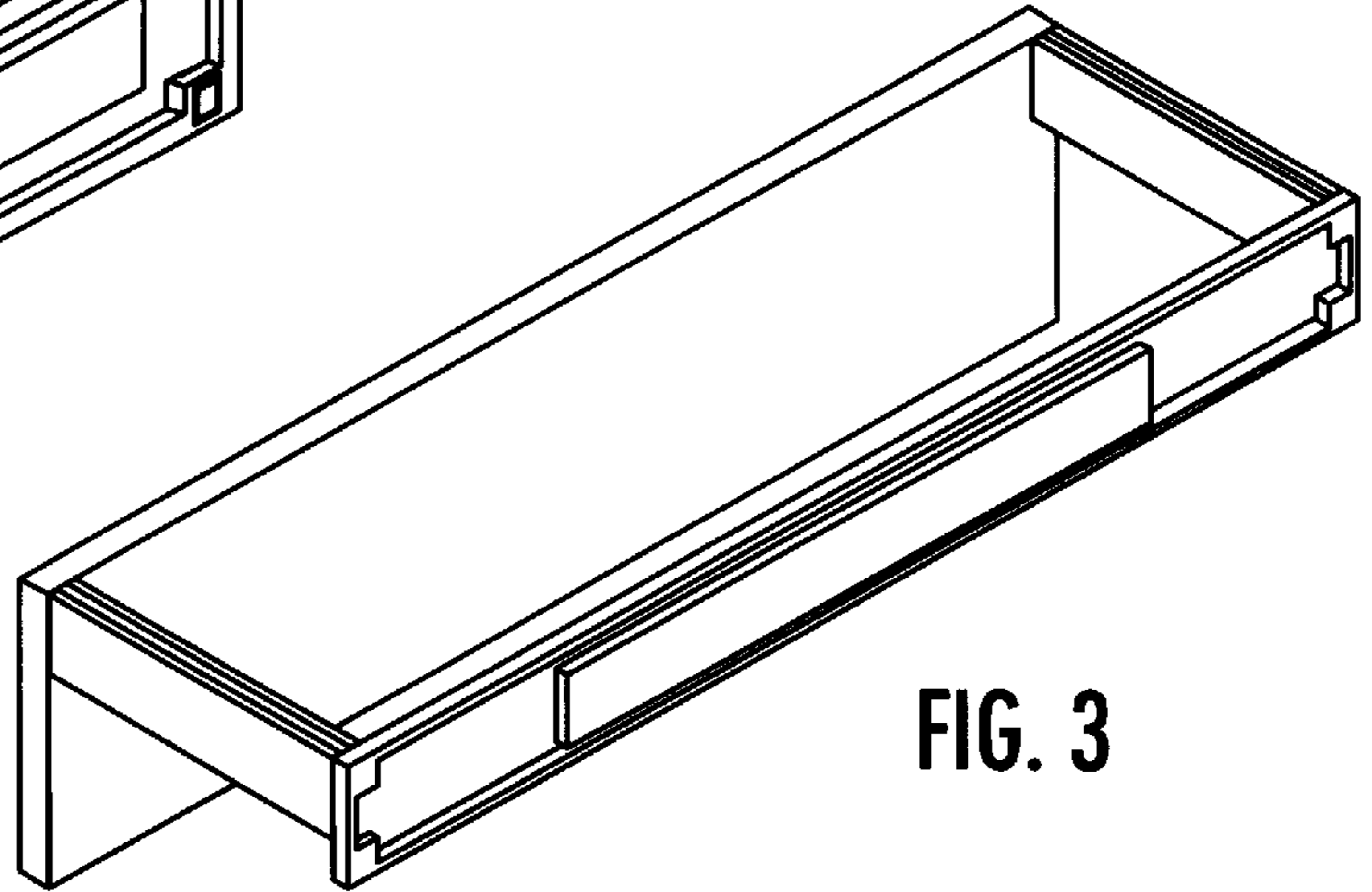


FIG. 3

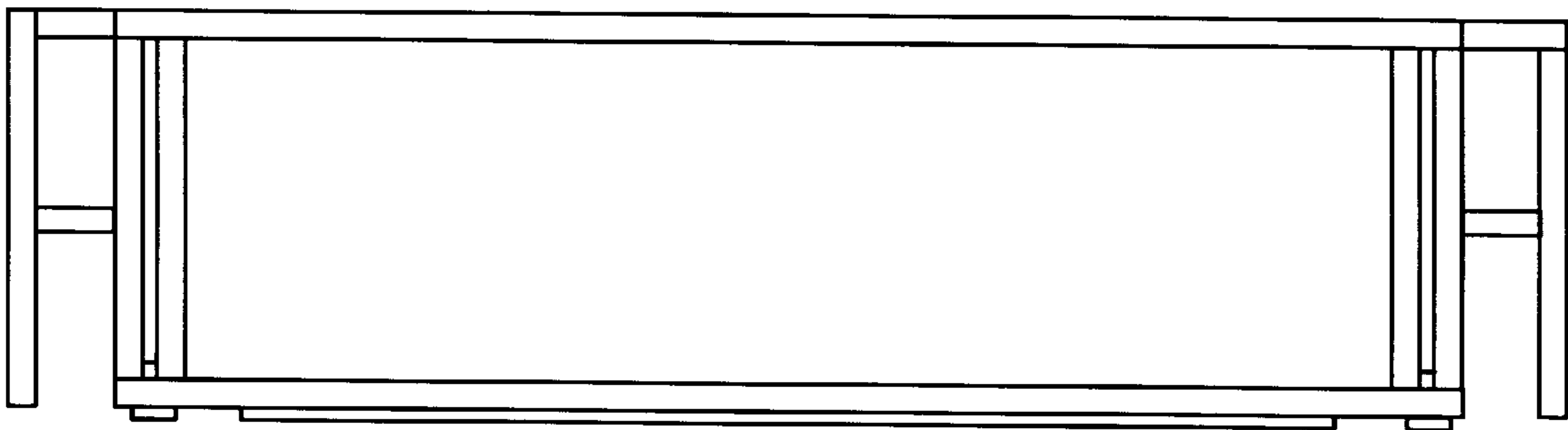


FIG. 2

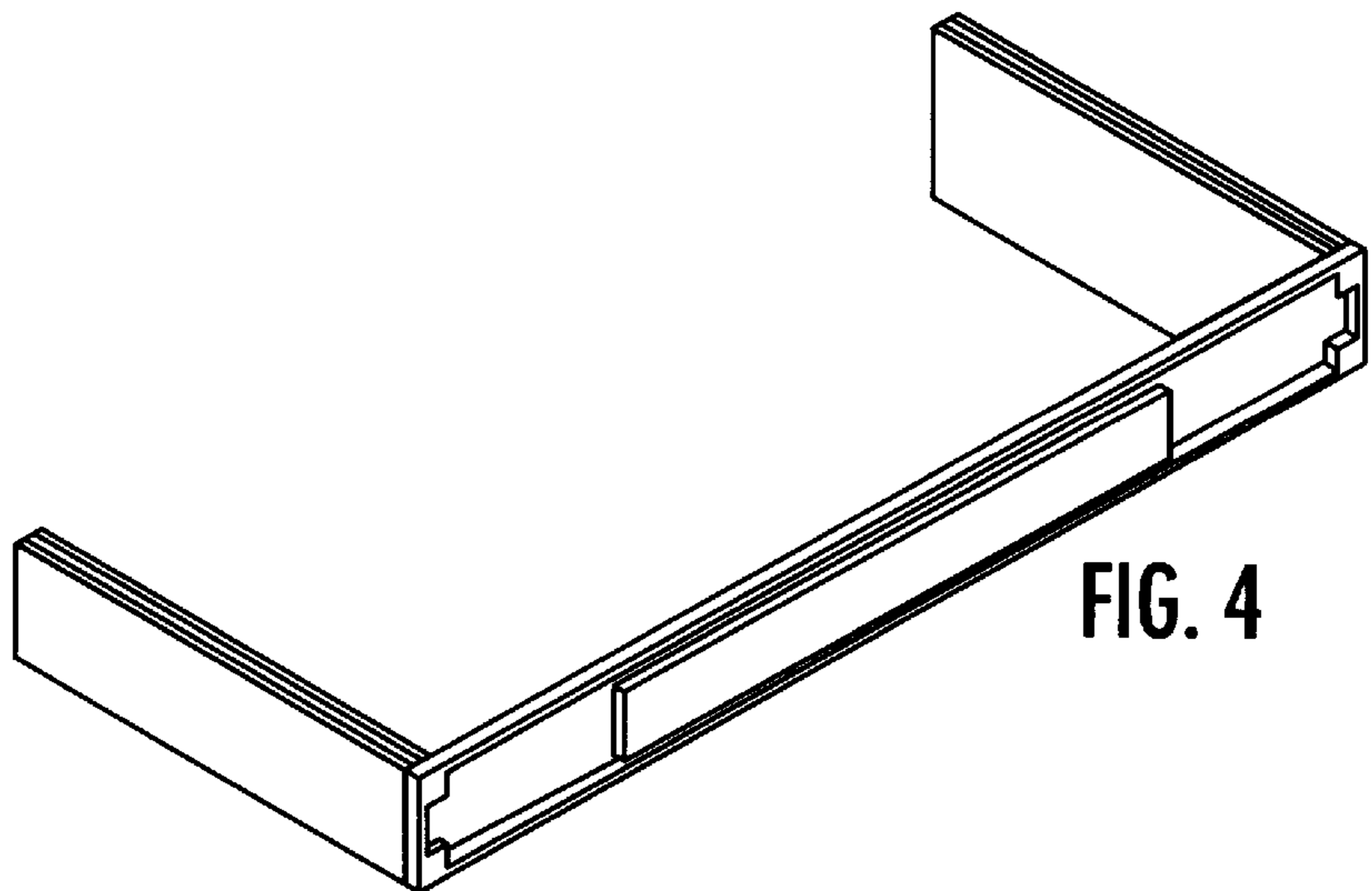


FIG. 4

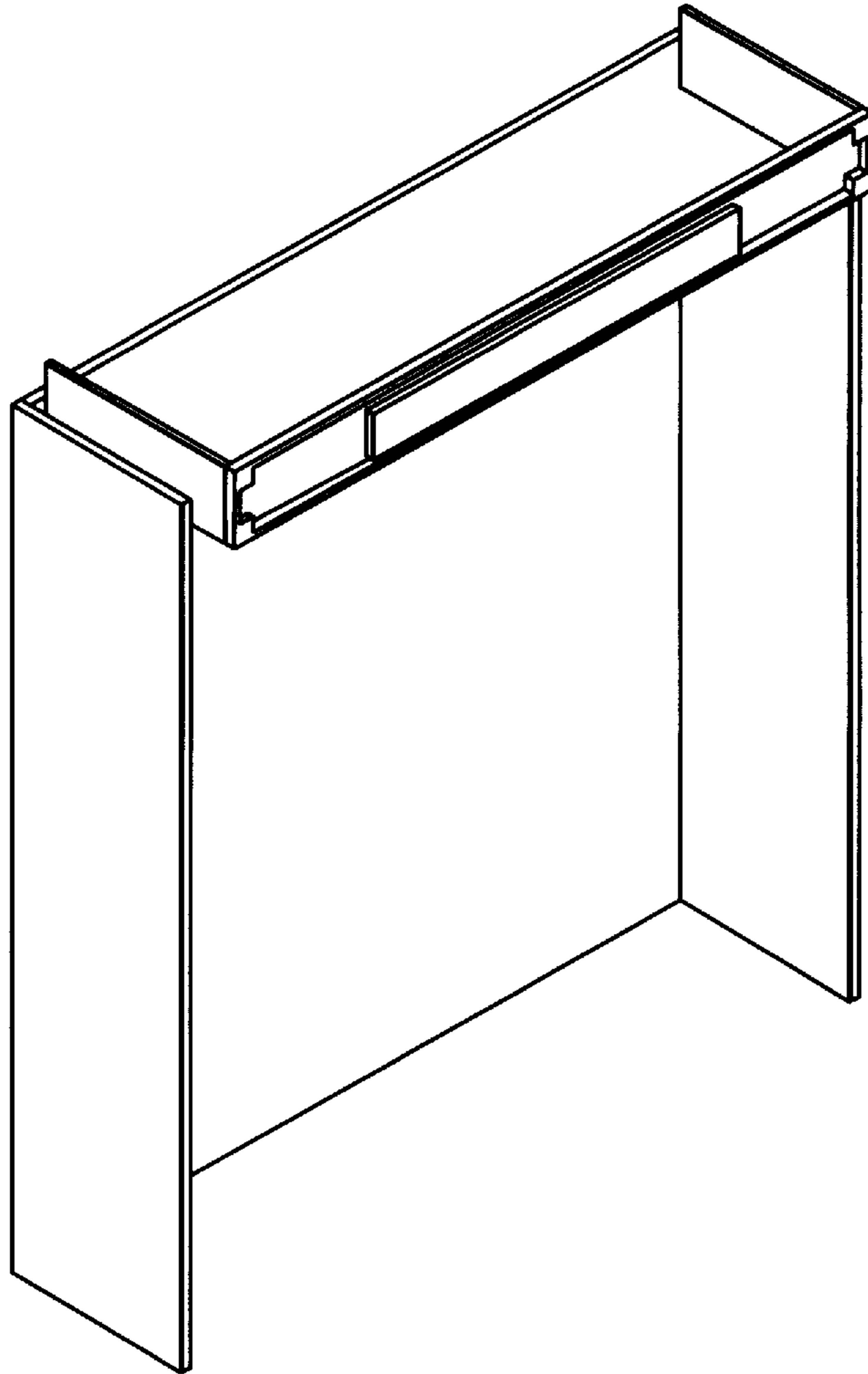


FIG. 5