



US00D407179S

**United States Patent** [19]  
**Curtis**

[11] **Patent Number: Des. 407,179**

[45] **Date of Patent: \*\*Mar. 23, 1999**

[54] **COFFIN**

[76] Inventor: **Alan J. Curtis**, 282, Tolladine Road,  
Worcester, United Kingdom, WR4 988

[\*\*] Term: **14 Years**

[21] Appl. No.: **78,282**

[22] Filed: **Oct. 23, 1997**

[51] **LOC (6) Cl.** ..... **99-00**

[52] **U.S. Cl.** ..... **D99/1**

[58] **Field of Search** ..... D99/1, 2, 3, 4,  
D99/37; 27/1, 2, 5, 8

[56] **References Cited**

**U.S. PATENT DOCUMENTS**

- D. 38,059 6/1906 Wetmore ..... D99/1
- D. 56,919 1/1921 Gordon ..... D99/37 X
- D. 90,280 7/1933 Fritz ..... D99/1

- 212,273 2/1879 Shannon ..... D99/1 X
- D. 242,153 11/1976 Acton ..... D99/1
- 1,959,773 5/1934 Van Ness ..... D99/1 X

*Primary Examiner*—Paula A. Mortimer  
*Attorney, Agent, or Firm*—Rader, Fishman & Grauer PLLC

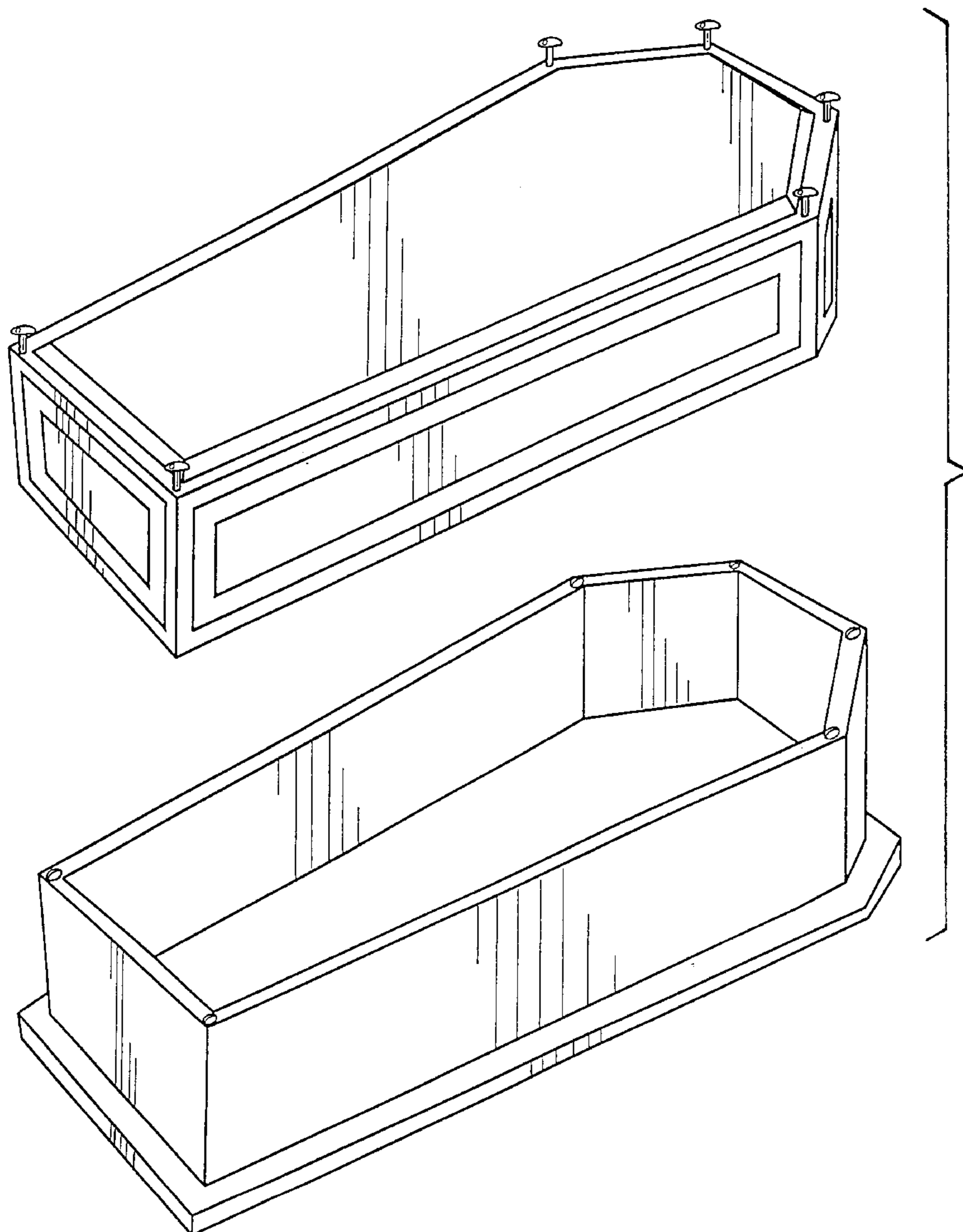
[57] **CLAIM**

The ornamental design for a coffin, as shown and described.

**DESCRIPTION**

FIG. 1 is an exploded front elevational view of a coffin showing my new design;  
 FIG. 2 is an exploded rear elevational view thereof;  
 FIG. 3 is an exploded right side elevational view thereof;  
 FIG. 4 is an exploded left side elevational view thereof;  
 FIG. 5 is an exploded top plan view thereof;  
 FIG. 6 is an exploded bottom plan view thereof; and,  
 FIG. 7 is an exploded side perspective view thereof.

**1 Claim, 7 Drawing Sheets**



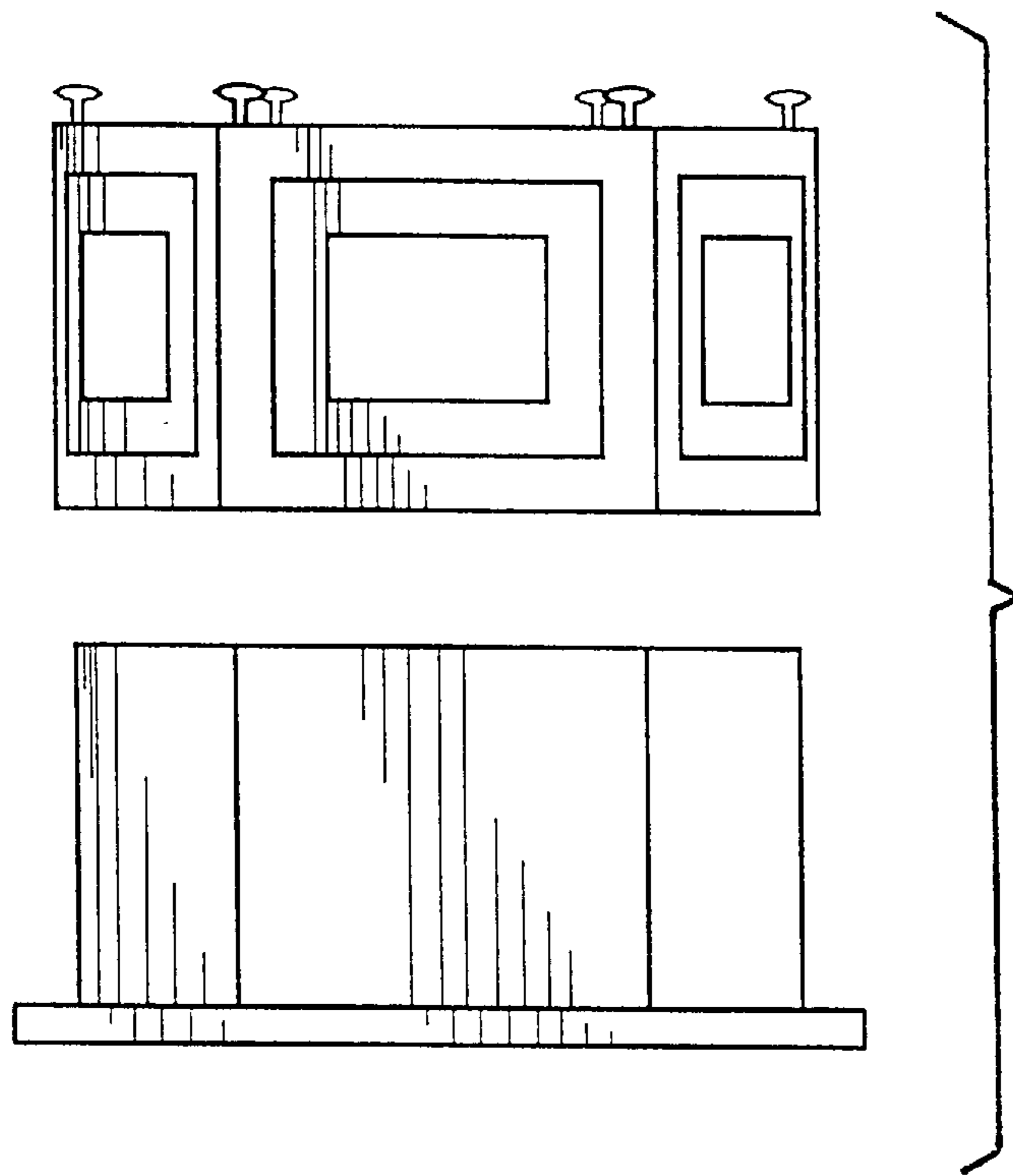


FIG 1

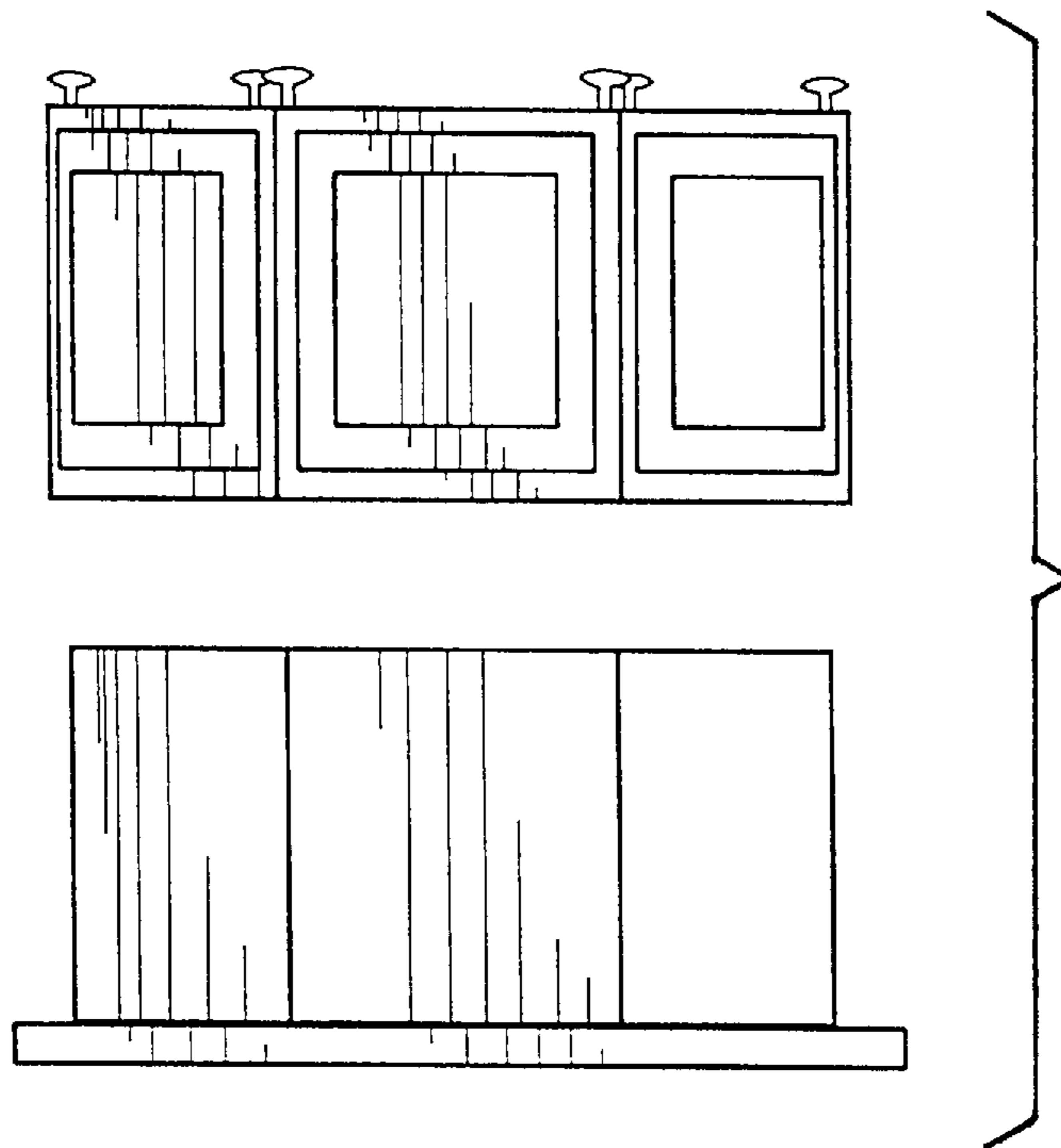


FIG 2

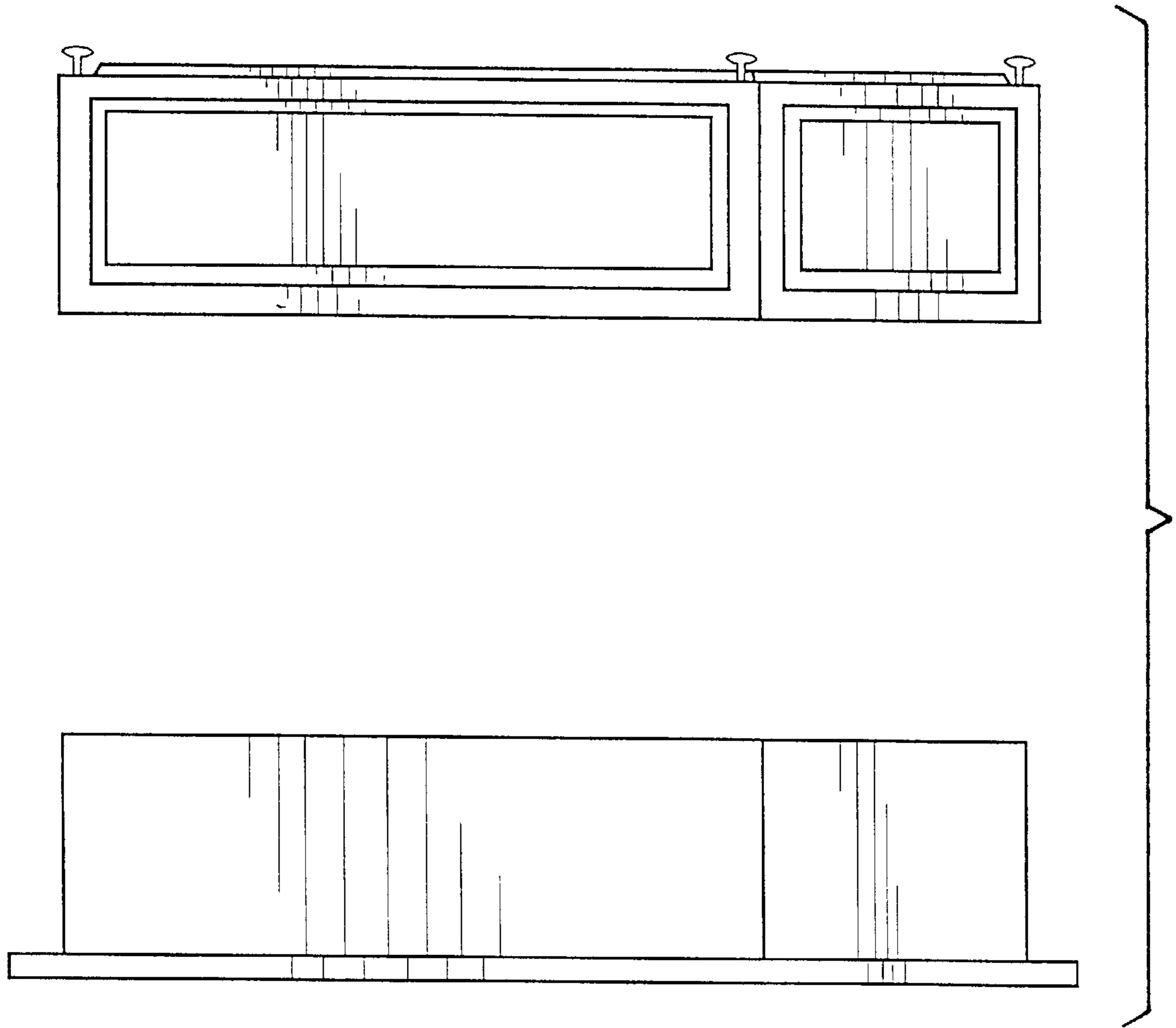


FIG 3

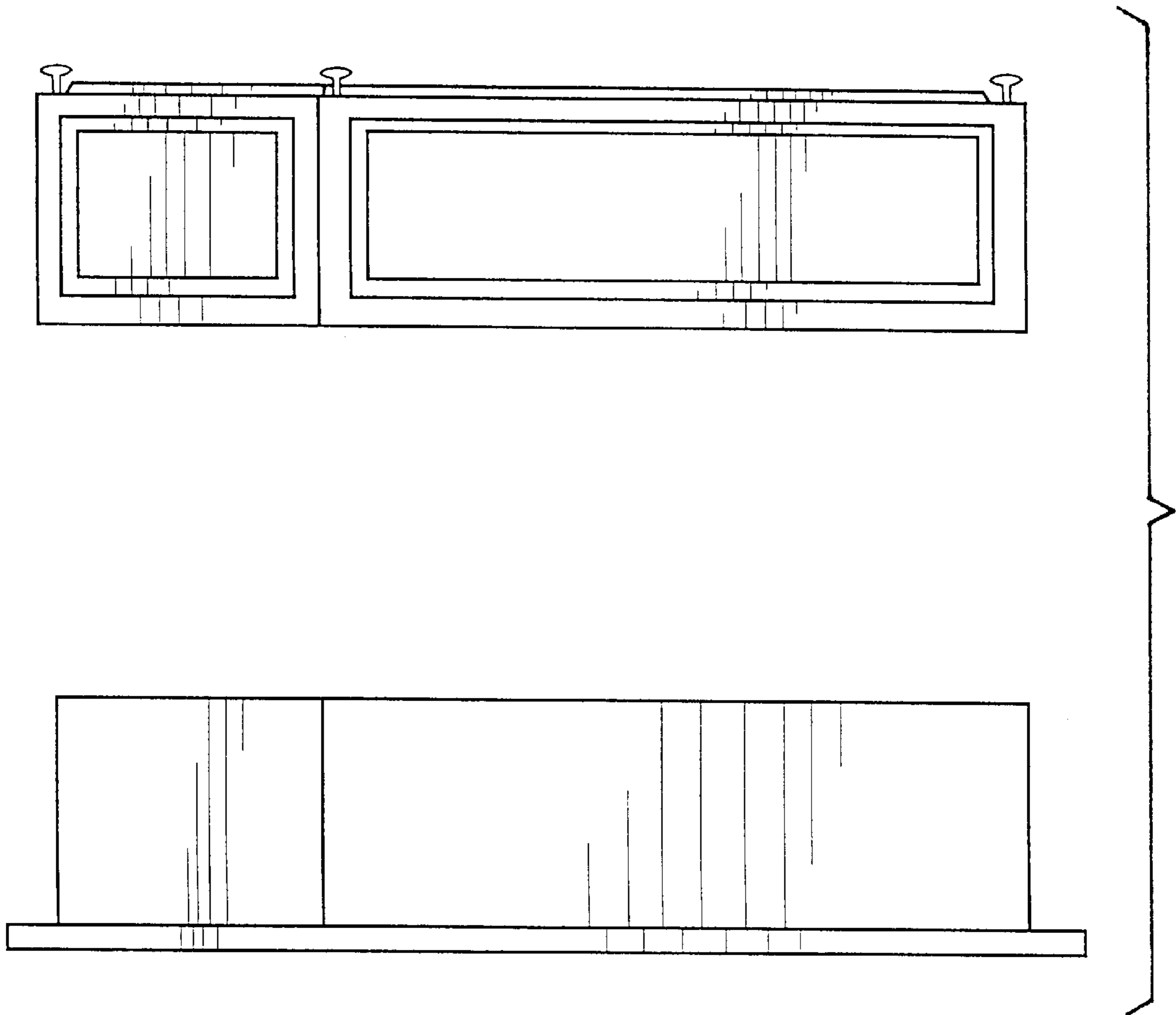


FIG 4

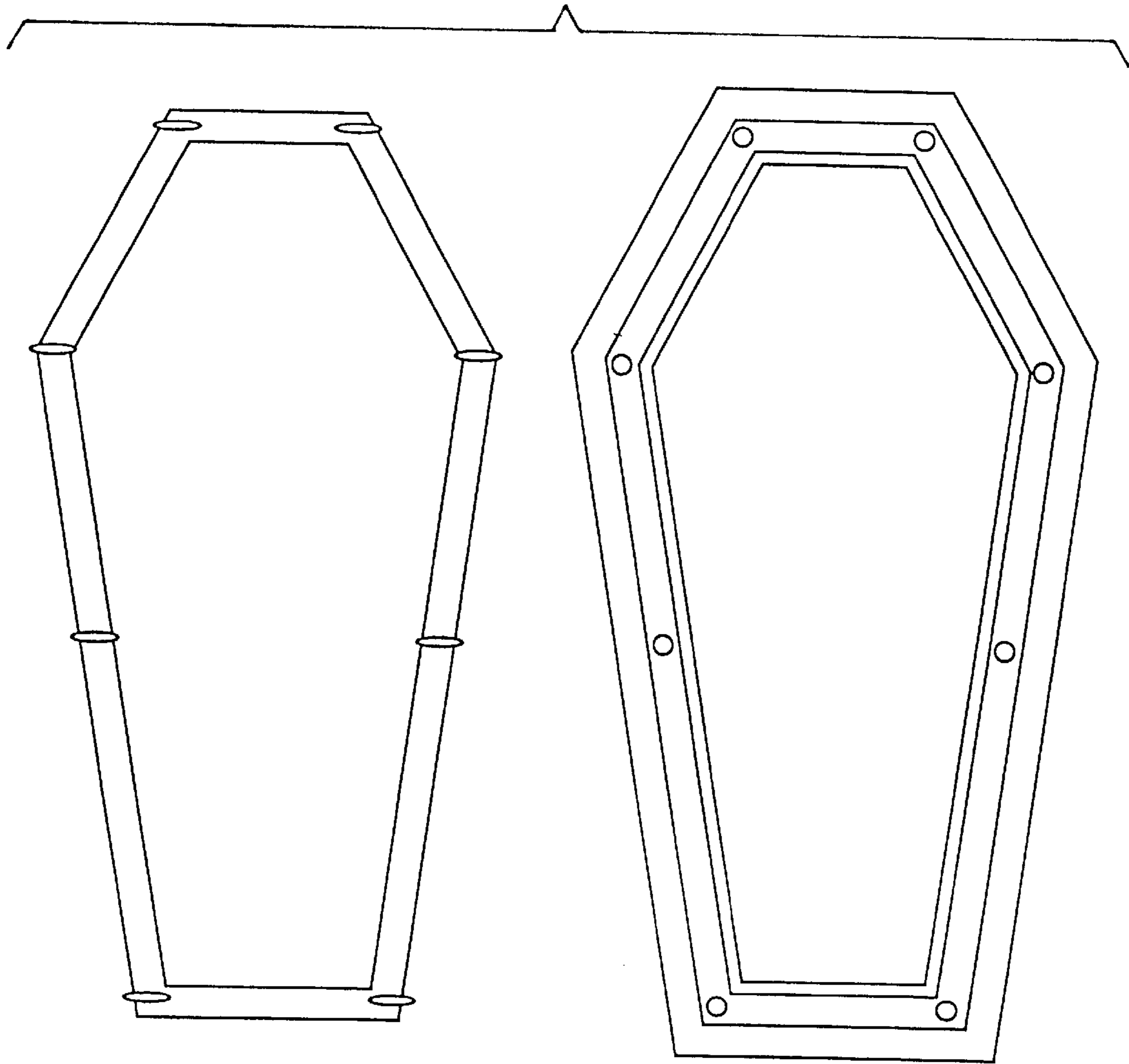


FIG 5

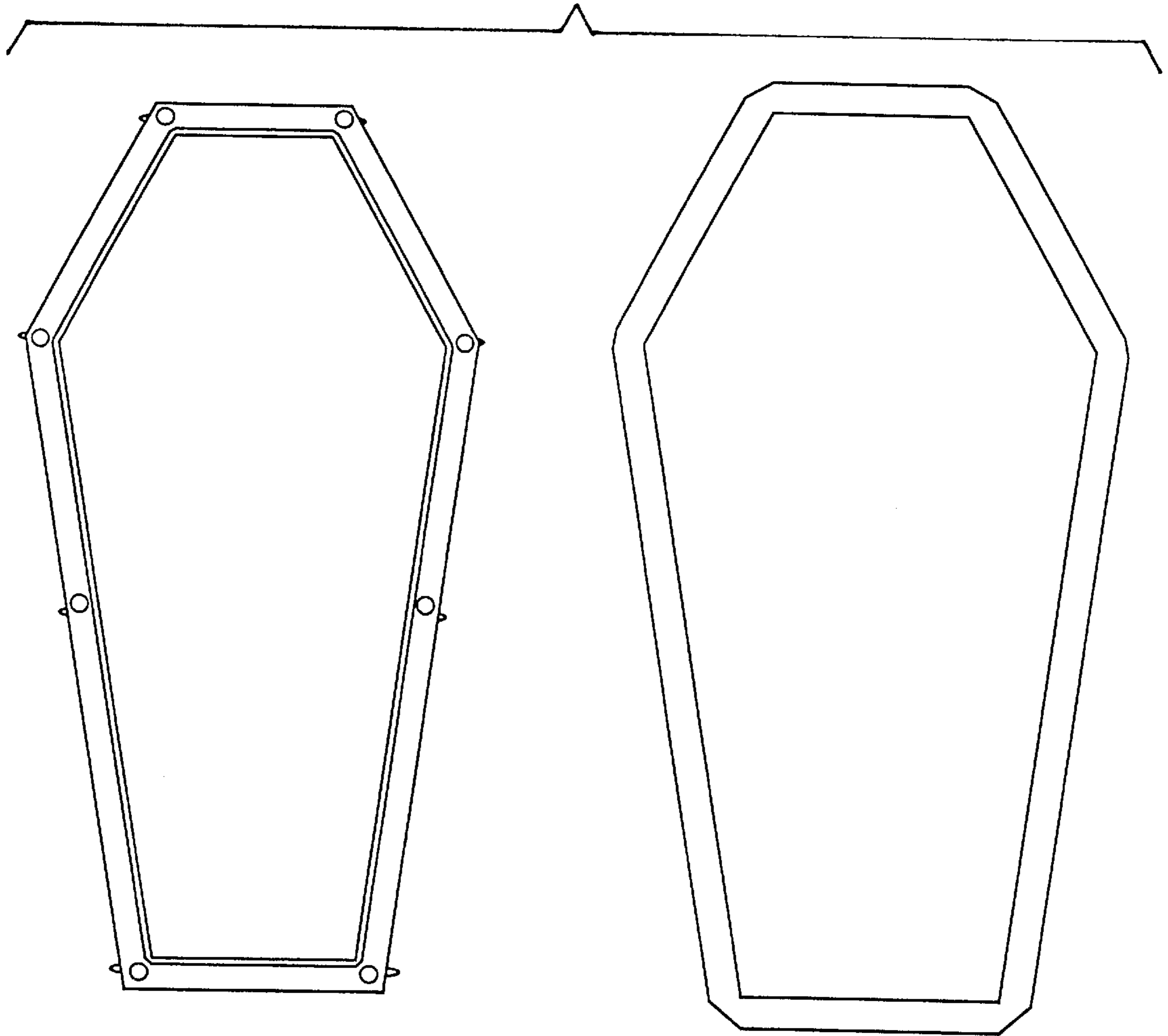


FIG 6

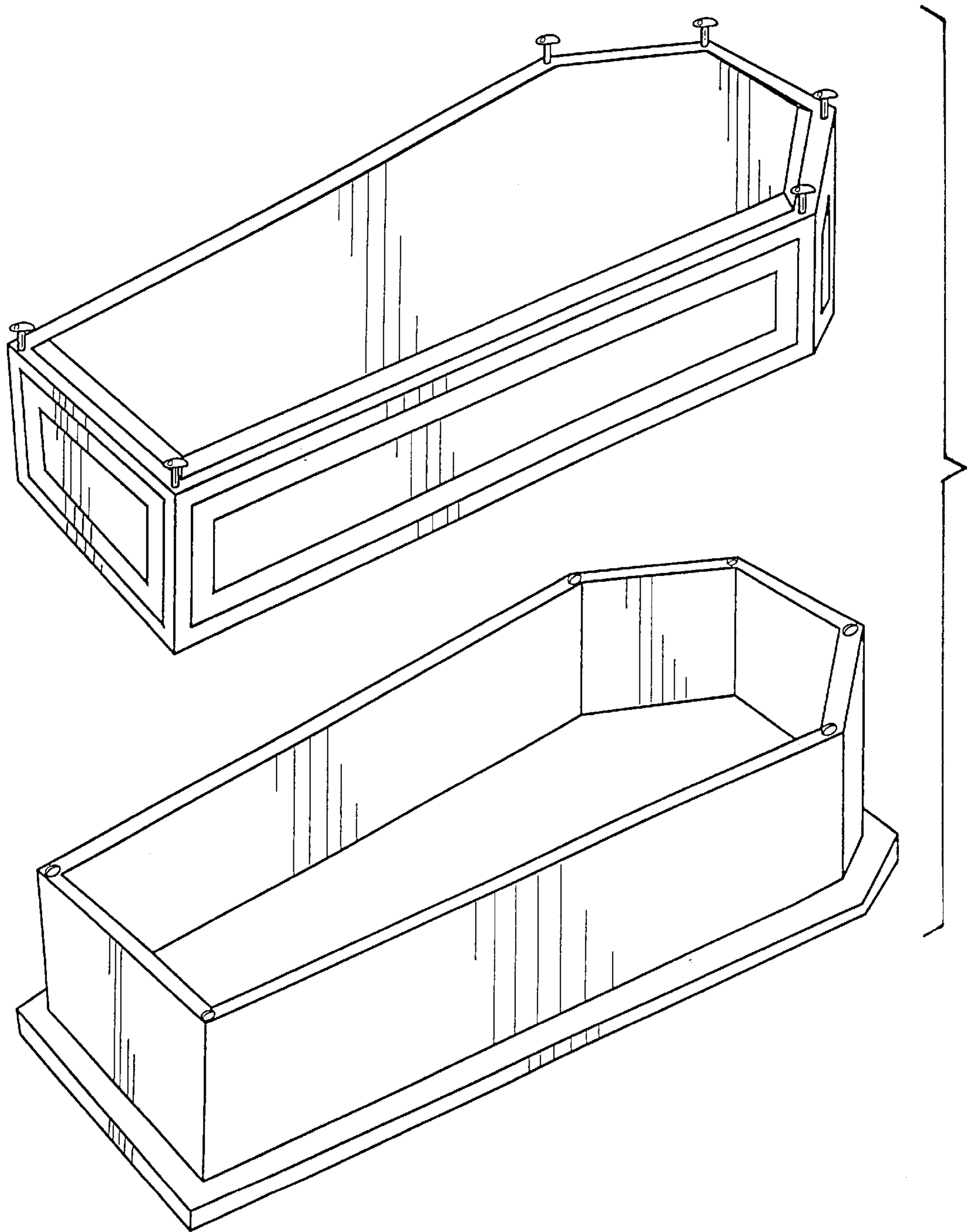


FIG 7



UNITED STATES PATENT AND TRADEMARK OFFICE  
**CERTIFICATE OF CORRECTION**

PATENT NO. : Des. 407,179  
DATED : March 23, 1999  
INVENTOR(S) : Alan J. Curtis

It is certified that error appears in the above-identified patent and that said Letters Patent is hereby corrected as shown below:

**On the title page, item[76] and Col.1:**

"WR4 988" change to -- WR4 9BB --.

Signed and Sealed this  
Thirteenth Day of July, 1999

*Attest:*



Q. TODD DICKINSON

*Attesting Officer*

*Acting Commissioner of Patents and Trademarks*